



US00D475624S

(12) **United States Design Patent**
Cooper

(10) **Patent No.:** **US D475,624 S**

(45) **Date of Patent:** **** Jun. 10, 2003**

(54) **SIDEWALL DETAIL FOR A BEVERAGE BOTTLE**

D277,936 S * 3/1985 Tobias D9/307
D308,477 S * 6/1990 Ordel D9/320

(75) Inventor: **John A. Cooper**, Philadelphia, PA (US)

* cited by examiner

(73) Assignee: **Chatam International Incorporated**,
Wilmington, DE (US)

Primary Examiner—Ralf Seifert

(74) *Attorney, Agent, or Firm*—Paul & Paul

(*) Notice: This patent is subject to a terminal disclaimer.

(57) **CLAIM**

The ornamental design of a sidewall detail for a beverage bottle, as shown and described.

(**) Term: **14 Years**

DESCRIPTION

(21) Appl. No.: **29/164,985**

FIG. 1 is a front view of a sidewall detail for a beverage bottle.

(22) Filed: **Aug. 2, 2002**

FIG. 2 is an enlarged front view of the sidewall detail for a beverage bottle, of FIG. 1.

(51) **LOC (7) Cl.** **09-07**

(52) **U.S. Cl.** **D9/434; D11/90**

FIG. 3 is a right side view of the sidewall detail for a beverage bottle, of FIG. 2, taken along the line III—III of FIG. 2, the left side view of which is a mirror image thereof.

(58) **Field of Search** D11/1, 2, 26–29,
D11/89–92; 63/26–28, 32; D20/37; D9/516,
307, 320, 434

FIG. 4 is a bottom view of the sidewall detail for a beverage bottle, of FIG. 2, taken along the line IV—IV of FIG. 2, the top view of which is a mirror image; and,

(56) **References Cited**

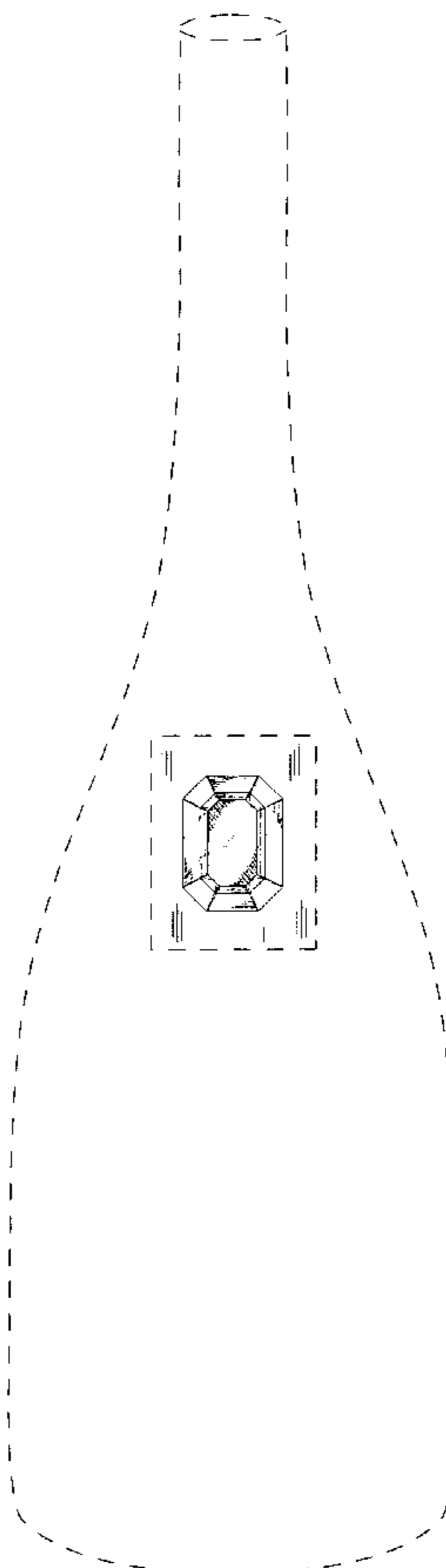
U.S. PATENT DOCUMENTS

FIG. 5 is a rear view of the sidewall detail for a beverage bottle, of FIG. 2.

D58,319 S * 7/1921 Heller D11/90
2,207,869 A * 7/1940 Monnier 63/32
D217,229 S * 4/1970 Onthank D9/320
4,118,949 A * 10/1978 Grossbard 63/32

The dotted lines illustrate environmental structure and do not form part of the design.

1 Claim, 5 Drawing Sheets



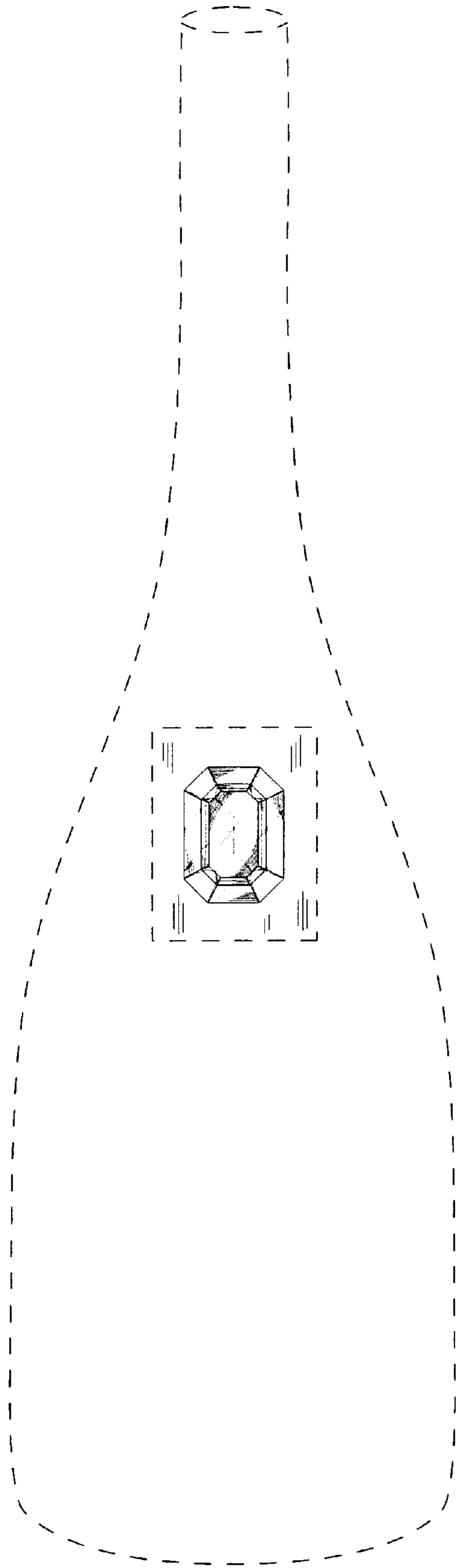


FIG. 1

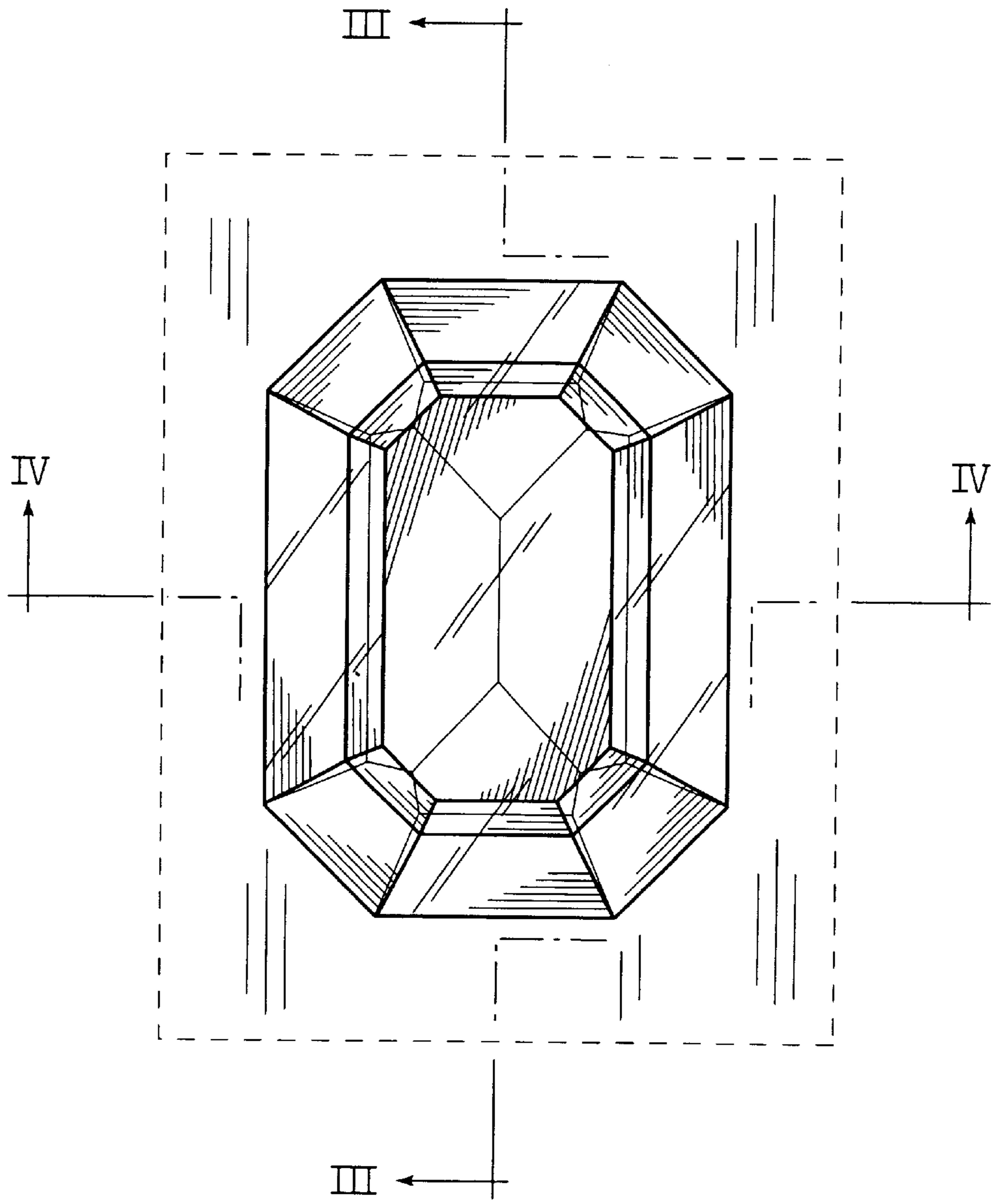


FIG. 2

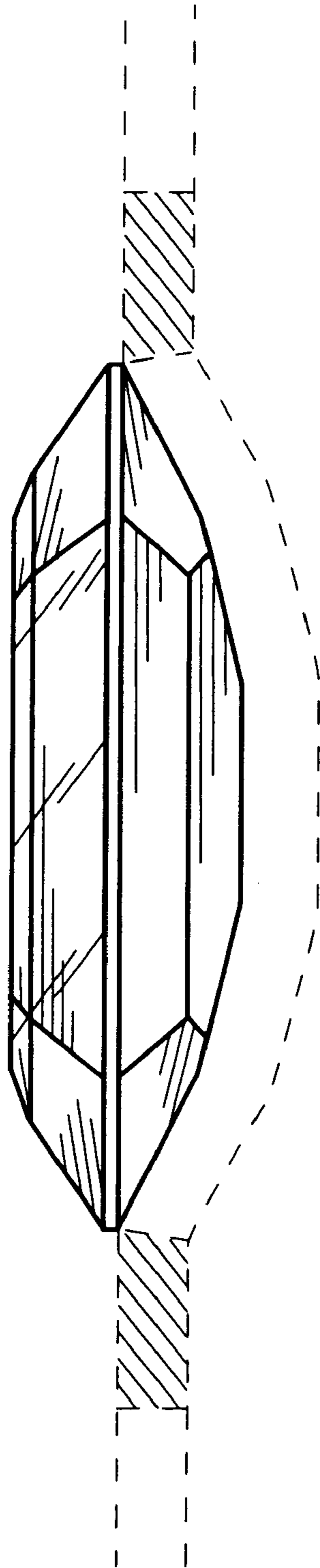


FIG. 3

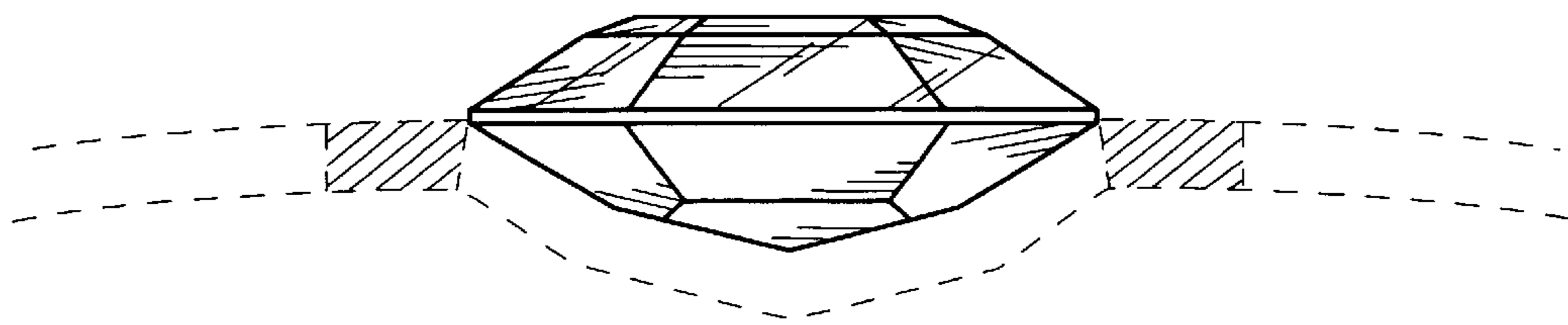


FIG. 4

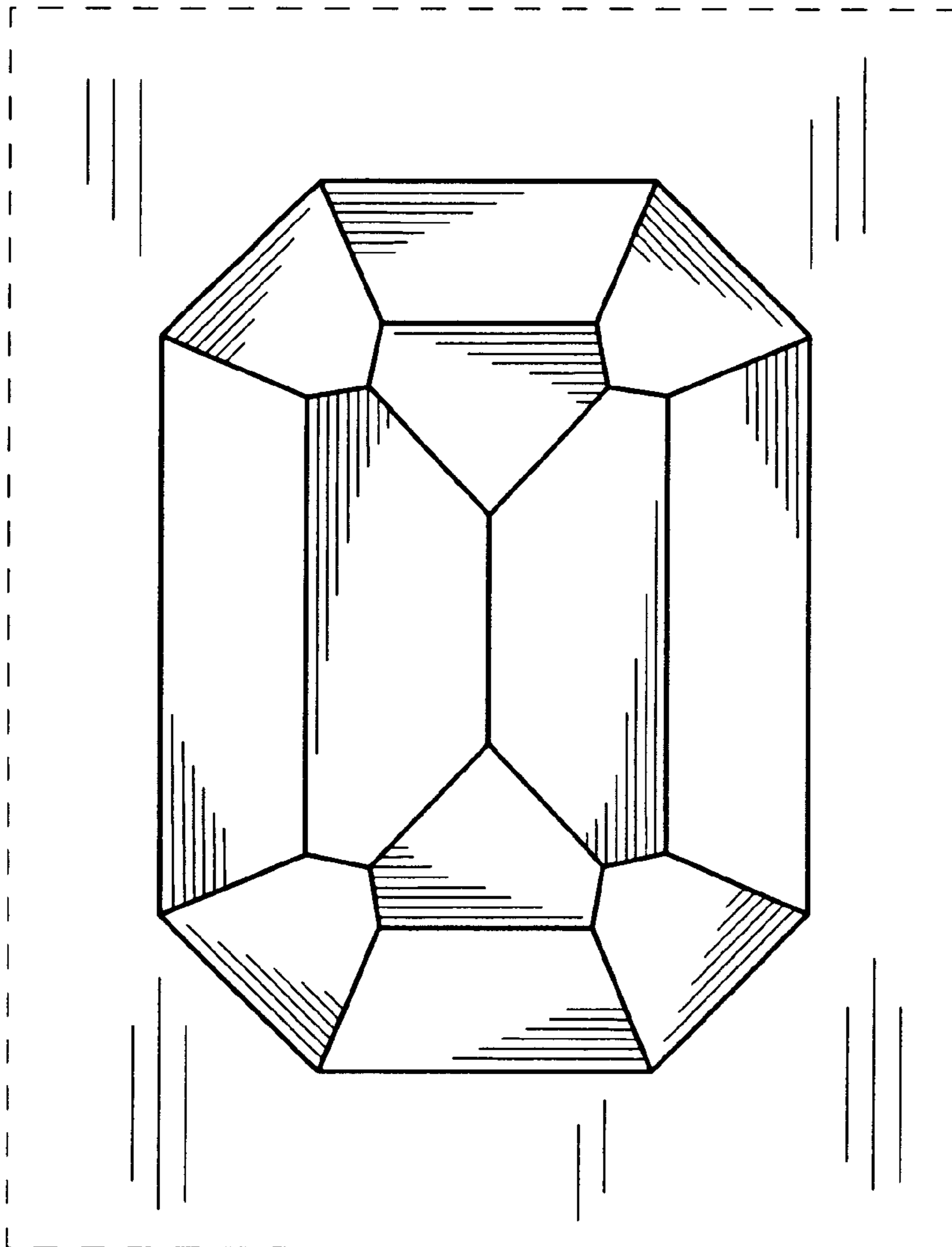


FIG. 5