



US00D475621S

(12) **United States Design Patent**
Buchalski et al.

(10) **Patent No.:** **US D475,621 S**

(45) **Date of Patent:** **** Jun. 10, 2003**

(54) **ROUND STACKABLE CONTAINER**

D406,929 S * 3/1999 Hsu D9/428
D415,420 S 10/1999 Chen

(75) Inventors: **Brian Buchalski**, Hamilton, NJ (US);
Wai Fun (Bill) Cheng, Livingston, NJ
(US); **Yin Yeung (Michael) Lai**,
Edison, NJ (US)

OTHER PUBLICATIONS

Modern Packaging, p. 318., 1967.
Ultra Fresh Containers, p. 10, Mar. 1995.
Tenneco Packaging, p. 20, 1996.

(73) Assignee: **W. Y. Industries, Inc.**, North Bergen,
NJ (US)

* cited by examiner

(**) Term: **14 Years**

Primary Examiner—Prabhakar Deshmukh
(74) *Attorney, Agent, or Firm*—Carella Byrne Bain
Gilfillan Cecchi et; Elliot Olstein; William Squire

(21) Appl. No.: **29/163,096**

(22) Filed: **Jun. 27, 2002**

(57) **CLAIM**

(51) **LOC (7) Cl.** **09-03**

The ornamental design for a round stackable container, as
shown and described.

(52) **U.S. Cl.** **D9/428; D9/503**

(58) **Field of Search** D9/428, 429, 431,
D9/424, 425; 206/541, 508; 229/4.5, 406,
407, 938, 915; 220/4.21, 4.22, 4.23, 4.24,
4.25, 556; D7/629

DESCRIPTION

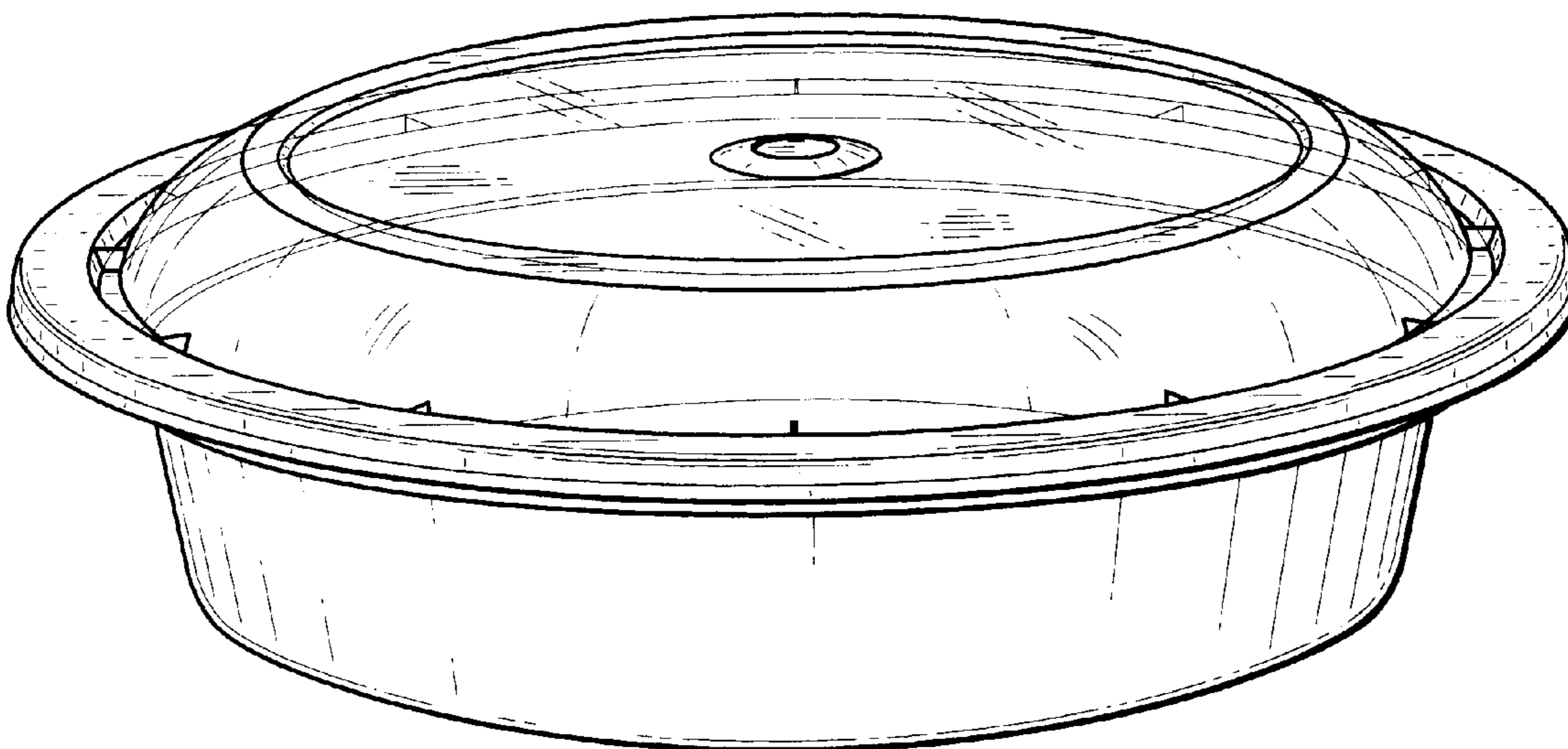
(56) **References Cited**

U.S. PATENT DOCUMENTS

2,246,695	A	*	4/1941	Phillips	229/906
3,720,365	A		3/1973	Unger		
3,938,726	A	*	2/1976	Holden, Jr. et al.	229/406
3,955,710	A	*	5/1976	Commisso	229/406
3,956,489	A	*	5/1976	Beall	229/406
D243,912	S	*	4/1977	Daenen	D9/428
D330,854	S	*	11/1992	Black, Sr.	D9/428
D335,085	S		4/1993	Wacker		
5,220,999	A		6/1993	Goulette		
D357,552	S		4/1995	Carranza		
D372,862	S		8/1996	Fiori		
D373,954	S		9/1996	Wolff		
D375,261	S		11/1996	Fiori		
D380,124	S		6/1997	Kato et al.		
5,862,977	A	*	1/1999	Horano	229/4.5

FIG. 1 is a top perspective view of the container;
FIG. 2 is a top perspective view of the lid for the container
shown separately for clarity;
FIG. 3 is a front view of the lid for the container, the back
view being a mirror image, shown separately for clarity;
FIG. 4 is a top plan view of the lid for the container shown
separately for clarity;
FIG. 5 is a bottom plan view of the lid for the container
shown separately for clarity;
FIG. 6 is a top perspective view of the base for the container
shown separately for clarity;
FIG. 7 is a front view of the base for the container, the back
view being a mirror image, shown separately for clarity;
FIG. 8 is a top plan view of the base for the container shown
separately for clarity; and,
FIG. 9 is a bottom plan view of the base for the container
shown separately for clarity.

1 Claim, 7 Drawing Sheets



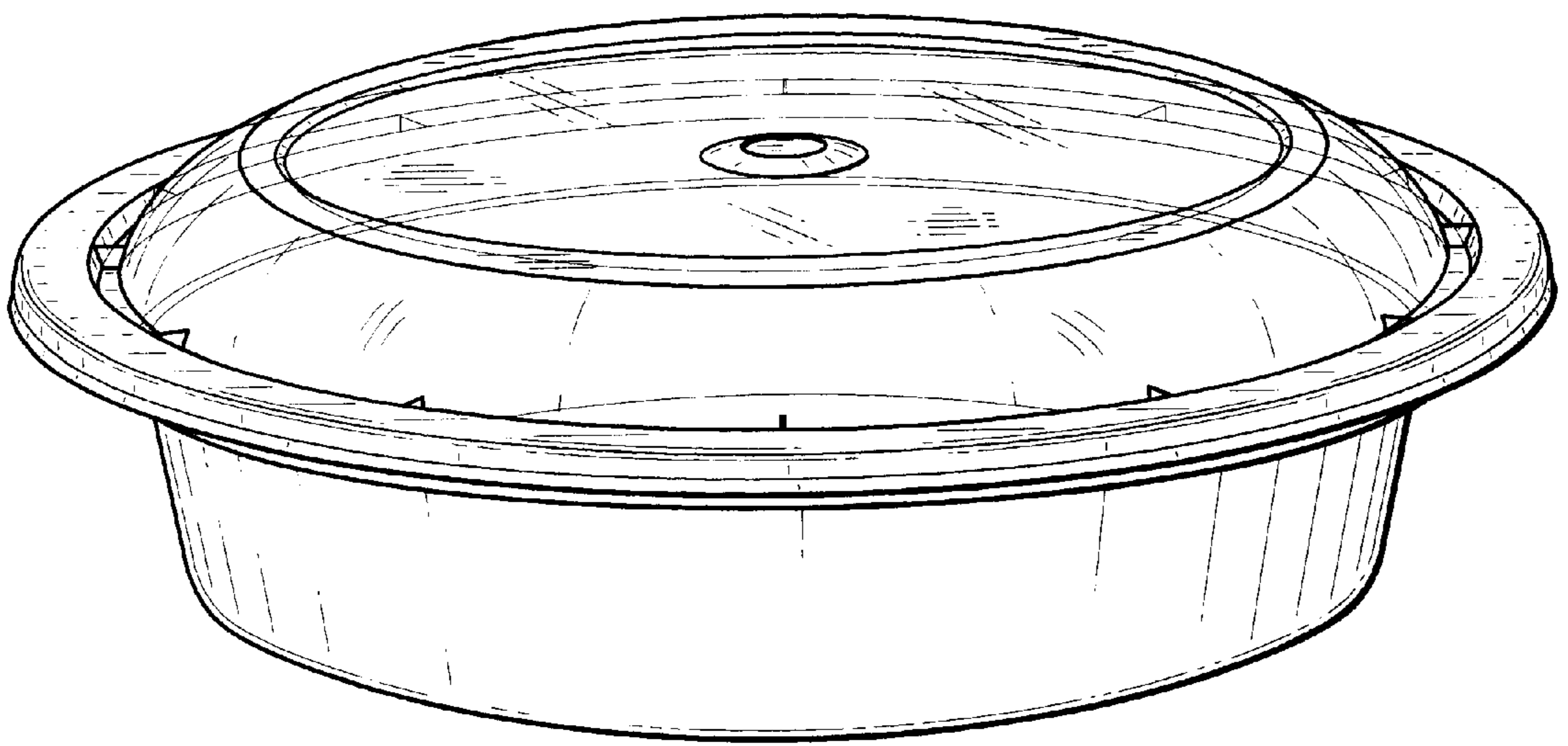


FIG. 1

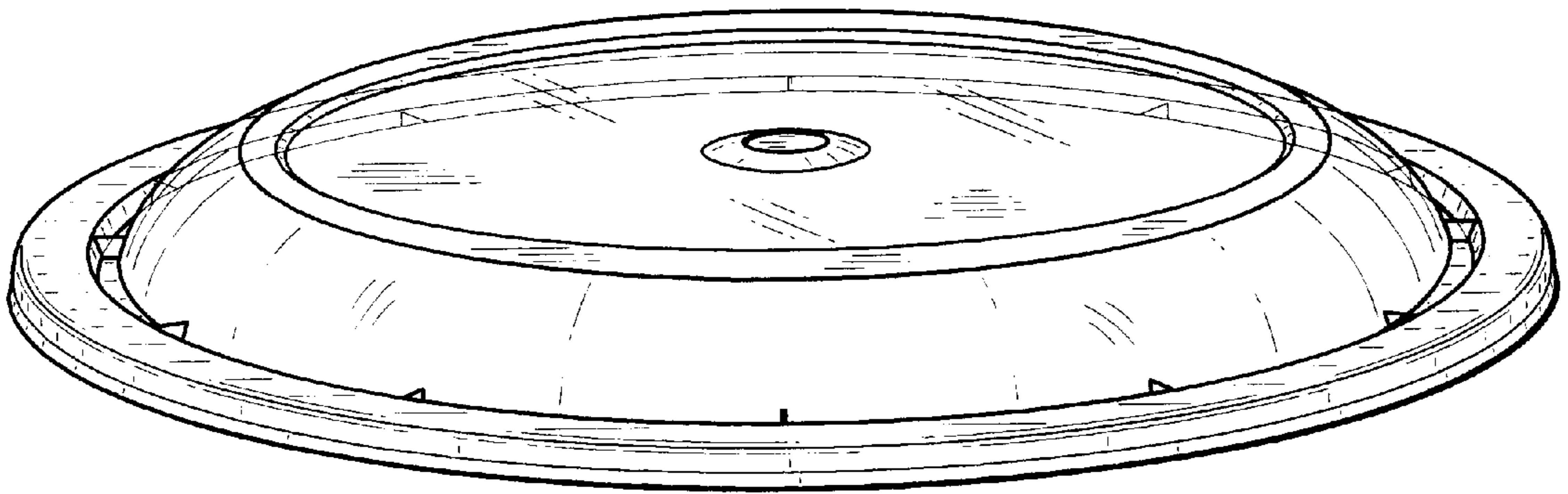


FIG. 2

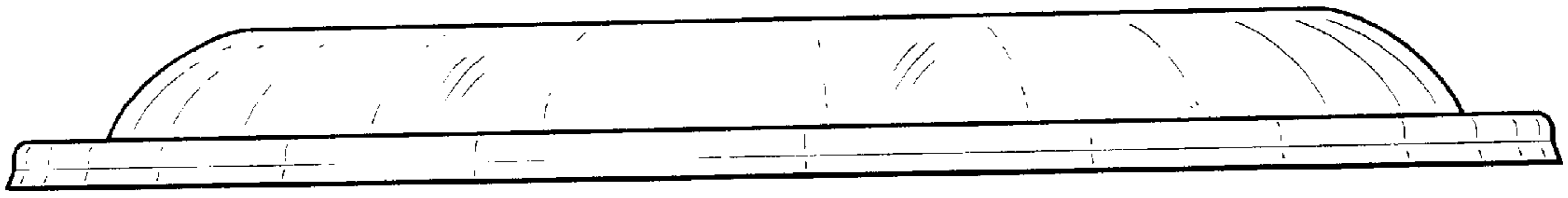


FIG. 3

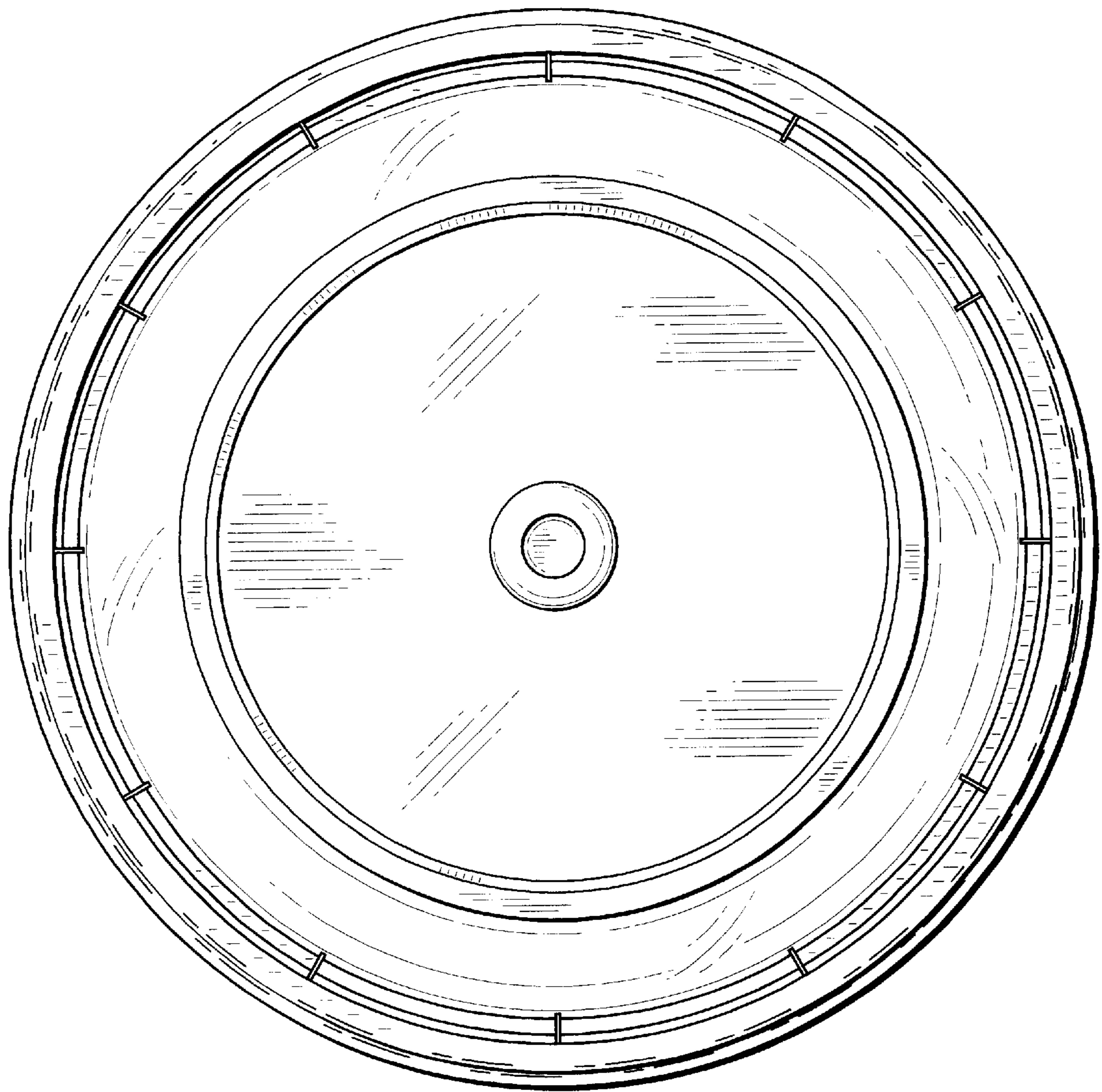


FIG. 4

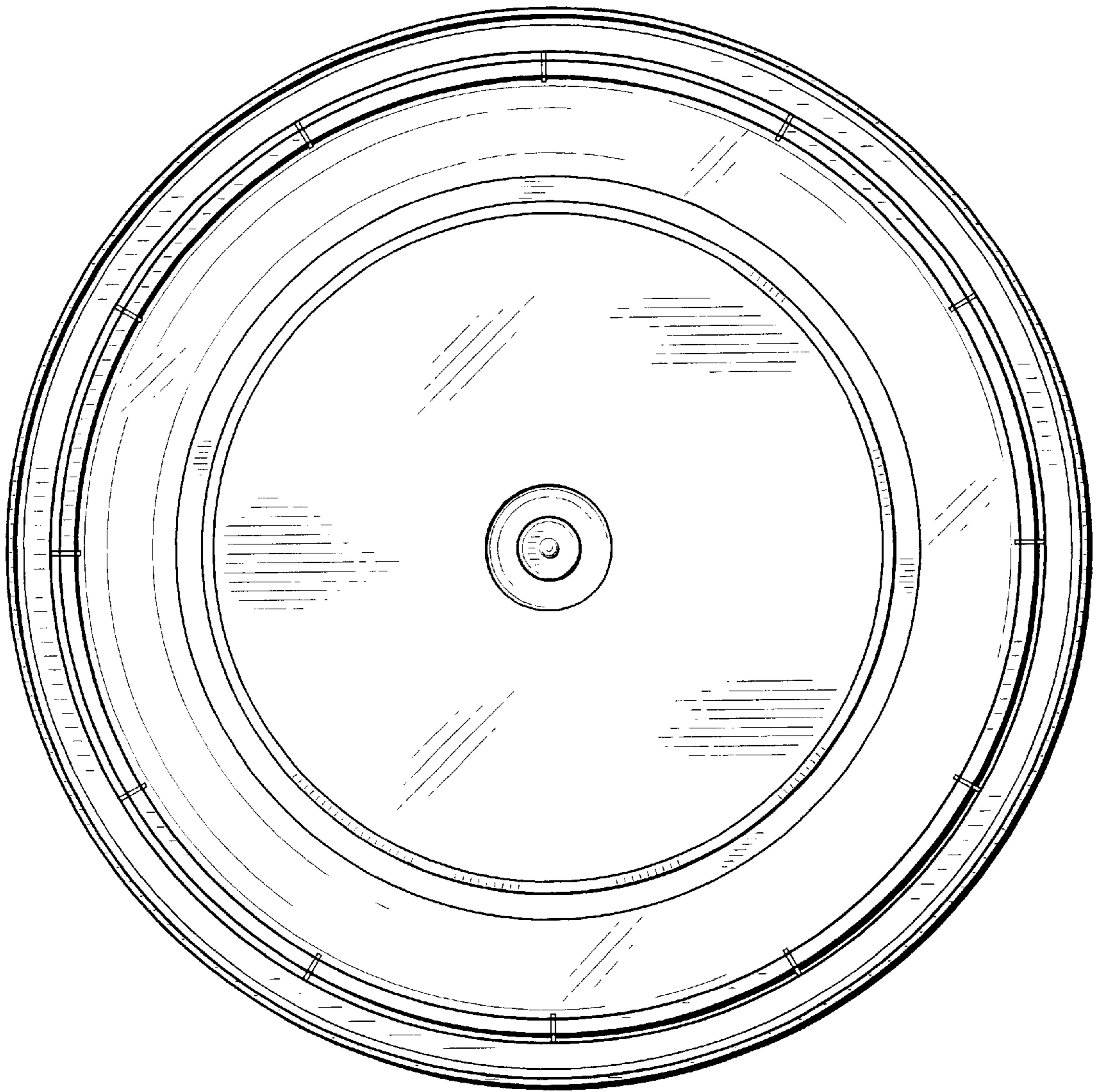


FIG. 5

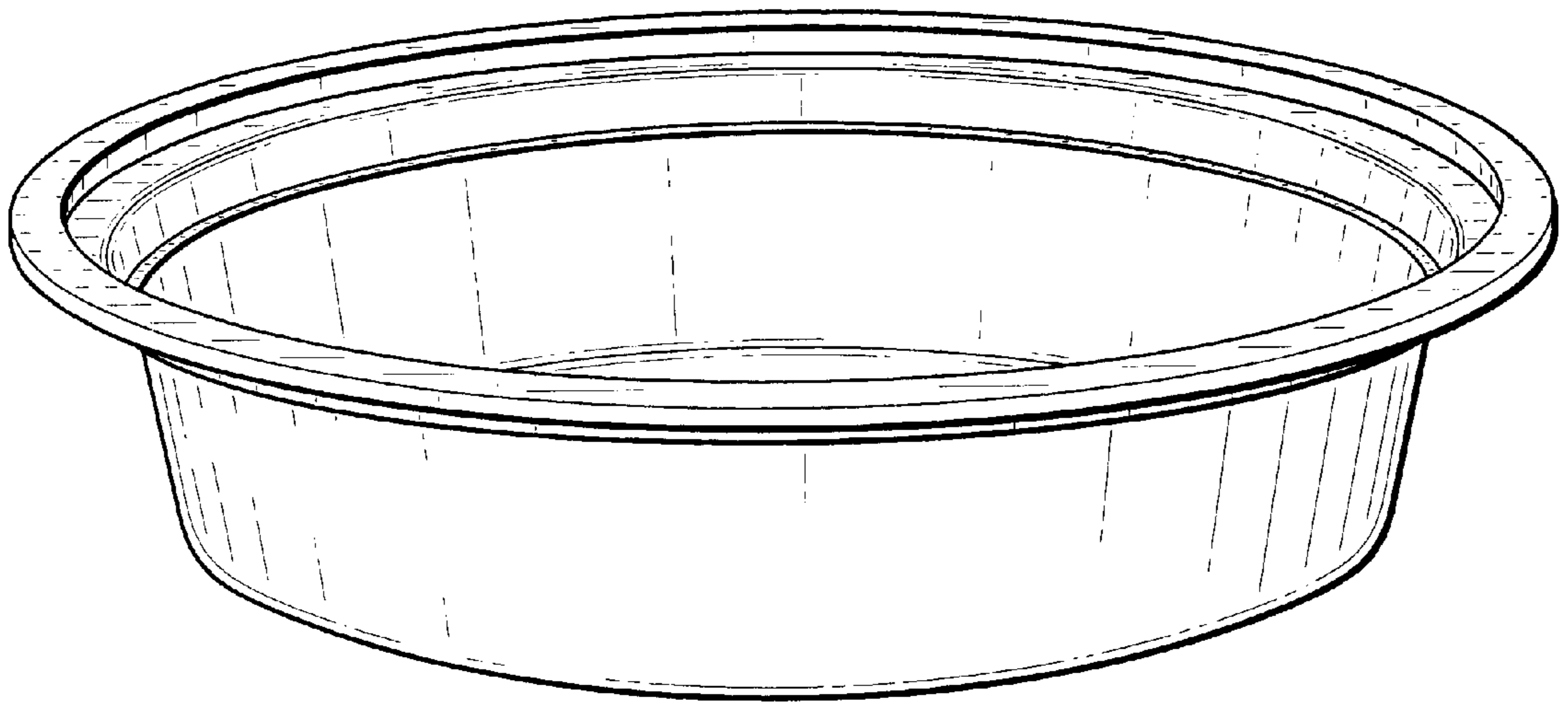


FIG. 6

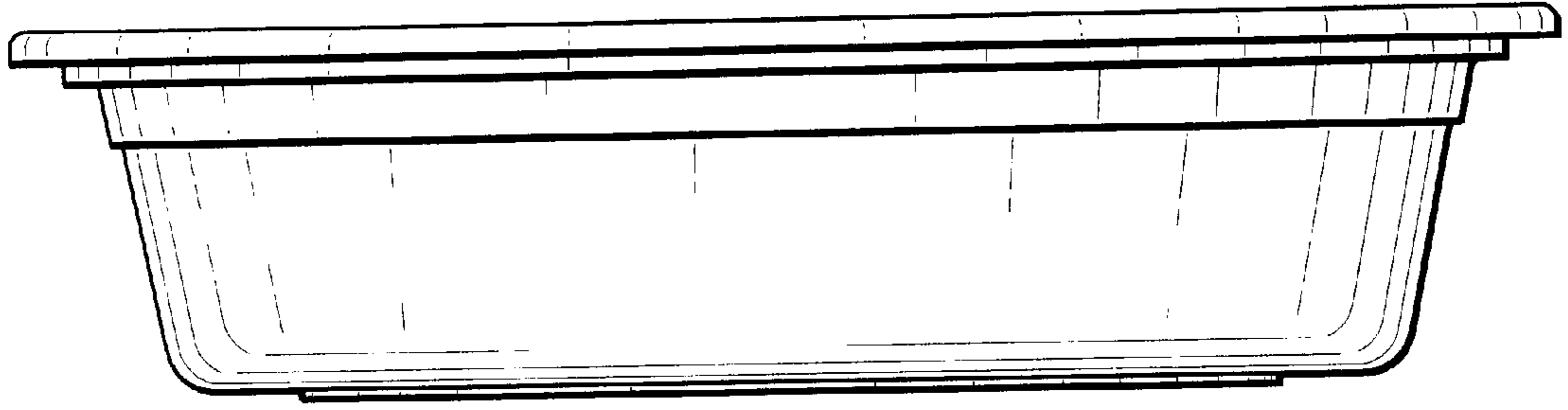


FIG. 7

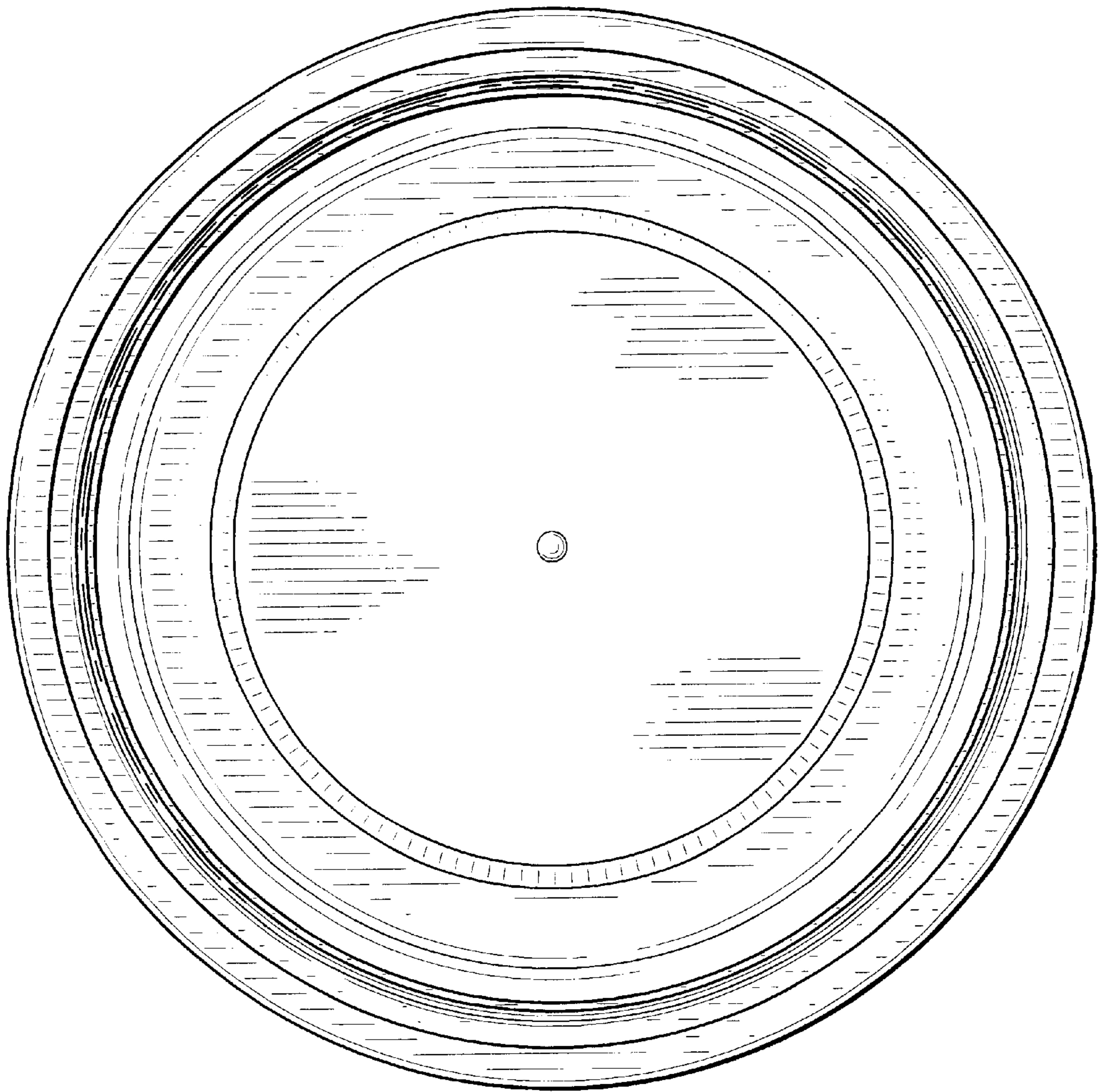


FIG. 8

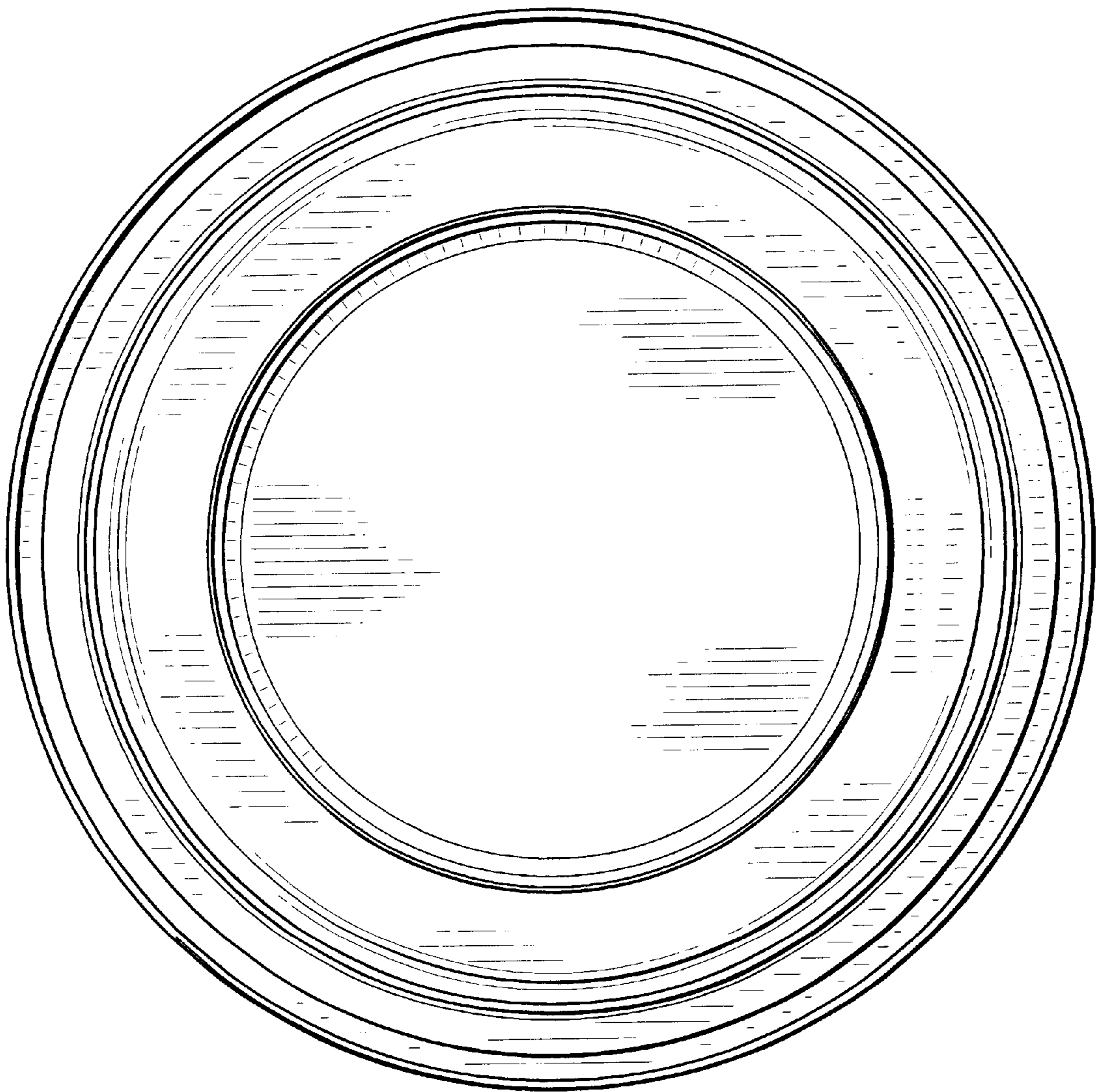


FIG. 9