



US00D475618S

(12) **United States Design Patent**  
**Barnes et al.**

(10) **Patent No.:** **US D475,618 S**

(45) **Date of Patent:** **\*\* Jun. 10, 2003**

(54) **CIRCULAR DISPENSING CONTAINER**

(75) Inventors: **Robert Cregg Barnes**, Hackettstown, NJ (US); **Scott Lee Fisher**, Evansville, IN (US); **Donald Allan Scott**, Wadesville, IN (US); **David John Jochem**, Evansville, IN (US)

(73) Assignee: **Kraft Foods Holdings, Inc.**, Northfield, IL (US)

(\*\*) Term: **14 Years**

(21) Appl. No.: **29/148,911**

(22) Filed: **Oct. 1, 2001**

(51) **LOC (7) Cl.** ..... **09-01**

(52) **U.S. Cl.** ..... **D9/339**

(58) **Field of Search** ..... D9/337, 338, 339, D9/314, 416-418, 424, 428; 206/363, 528, 527, 553, 37; 221/69, 87, 89, 90-91, 282; 222/153.01, 153.04, 173, 175, 501, 519-525

(56) **References Cited**

**U.S. PATENT DOCUMENTS**

D259,858 S	*	7/1981	Finkel	.....	D9/418
D295,956 S	*	5/1988	Holewinski et al.	.....	D9/424
D298,512 S	*	11/1988	Gotlib	.....	D9/339
D309,433 S	*	7/1990	Minuti	.....	D9/424
D314,912 S	*	2/1991	Pascual	.....	D9/424
5,273,177 A		12/1993	Campbell		
D358,986 S	*	6/1995	Heyl et al.	.....	D9/341

D380,378 S	*	7/1997	Wood	.....	D9/341
D436,034 S		1/2001	Wolf		
6,185,906 B1		2/2001	Mogard et al.		
6,250,049 B1		6/2001	Feldman et al.		

**OTHER PUBLICATIONS**

“Mini pack marks 50 years of Polos,” *Packaging Magazine*, Jun. 18, 1998, p. 5, including scanned electronic copy or photograph therein.\*

\* cited by examiner

*Primary Examiner*—Ted Shooman

*Assistant Examiner*—Daniel Bui

(74) *Attorney, Agent, or Firm*—Larson & Taylor, PLC

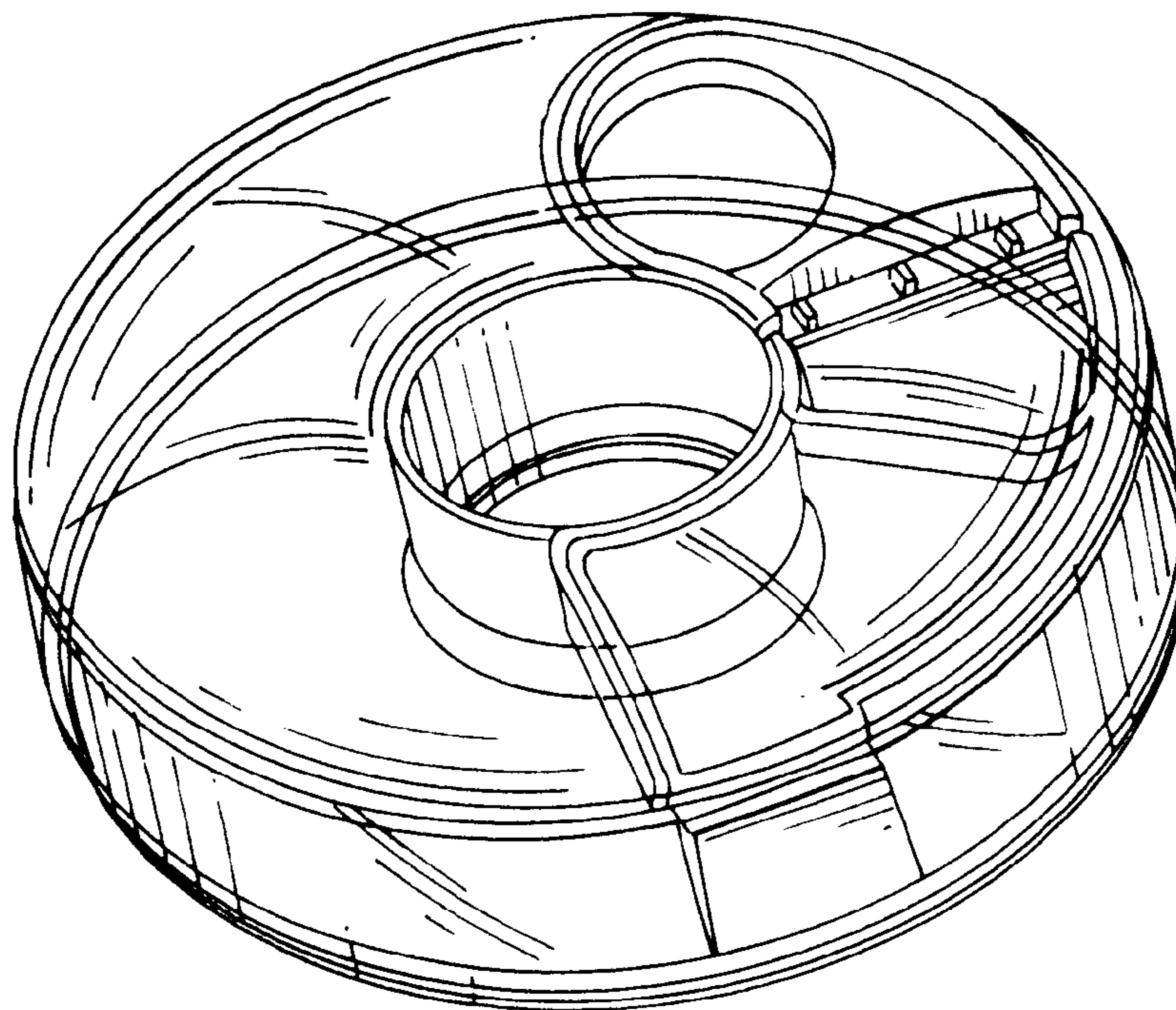
(57) **CLAIM**

The ornamental design for a circular dispensing container, as shown.

**DESCRIPTION**

FIG. 1 is a front left perspective view of a circular dispensing container according to our new design; FIG. 2 is a front elevational view thereof; FIG. 3 is a rear elevational view thereof; FIG. 4 is a right side elevational view thereof; FIG. 5 is a left side elevational view thereof; FIG. 6 is a top plan view thereof; FIG. 7 is a bottom plan view thereof; and, FIG. 8 is a front, right, upper perspective view thereof.

**1 Claim, 5 Drawing Sheets**



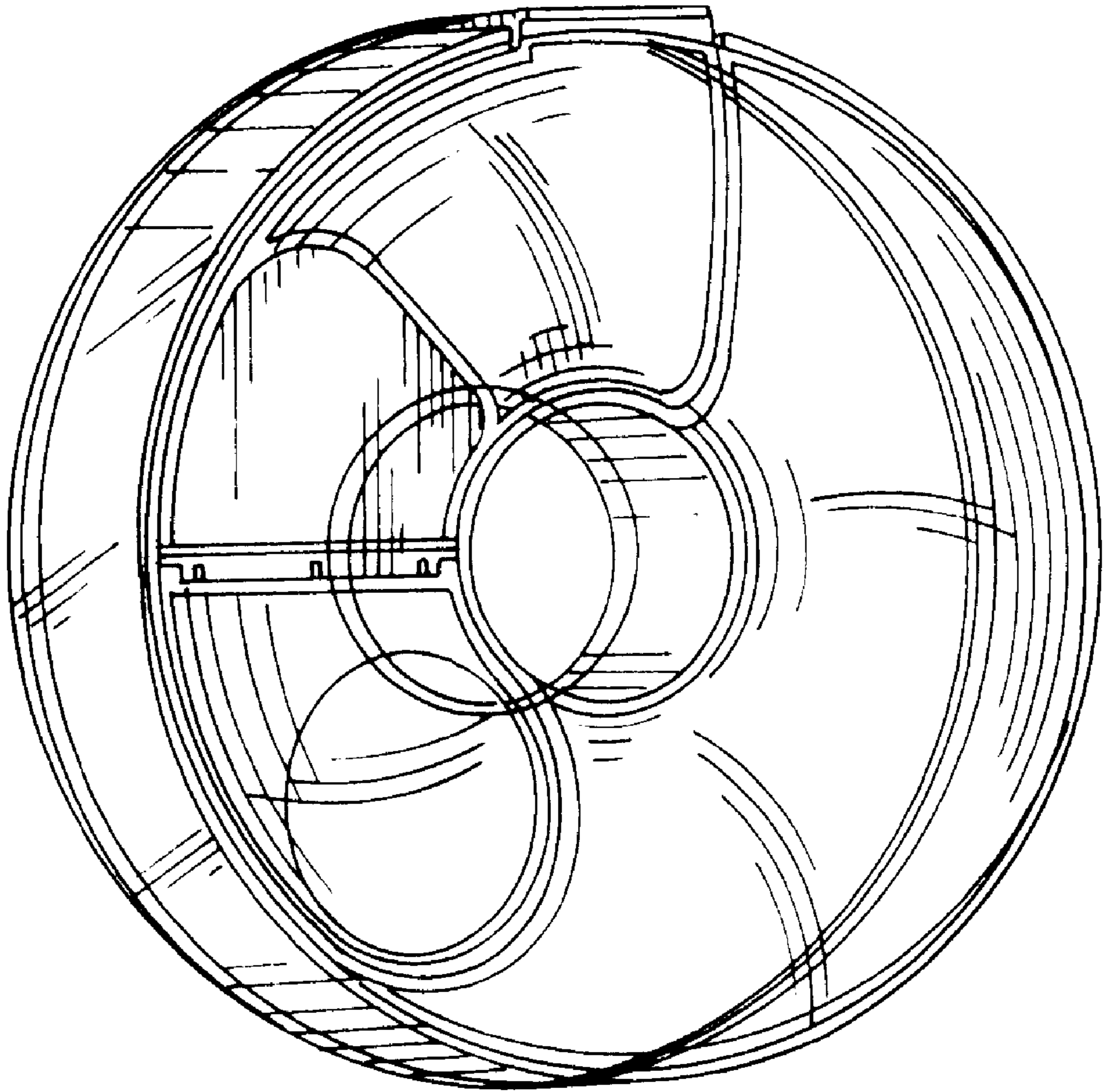


FIG. 1

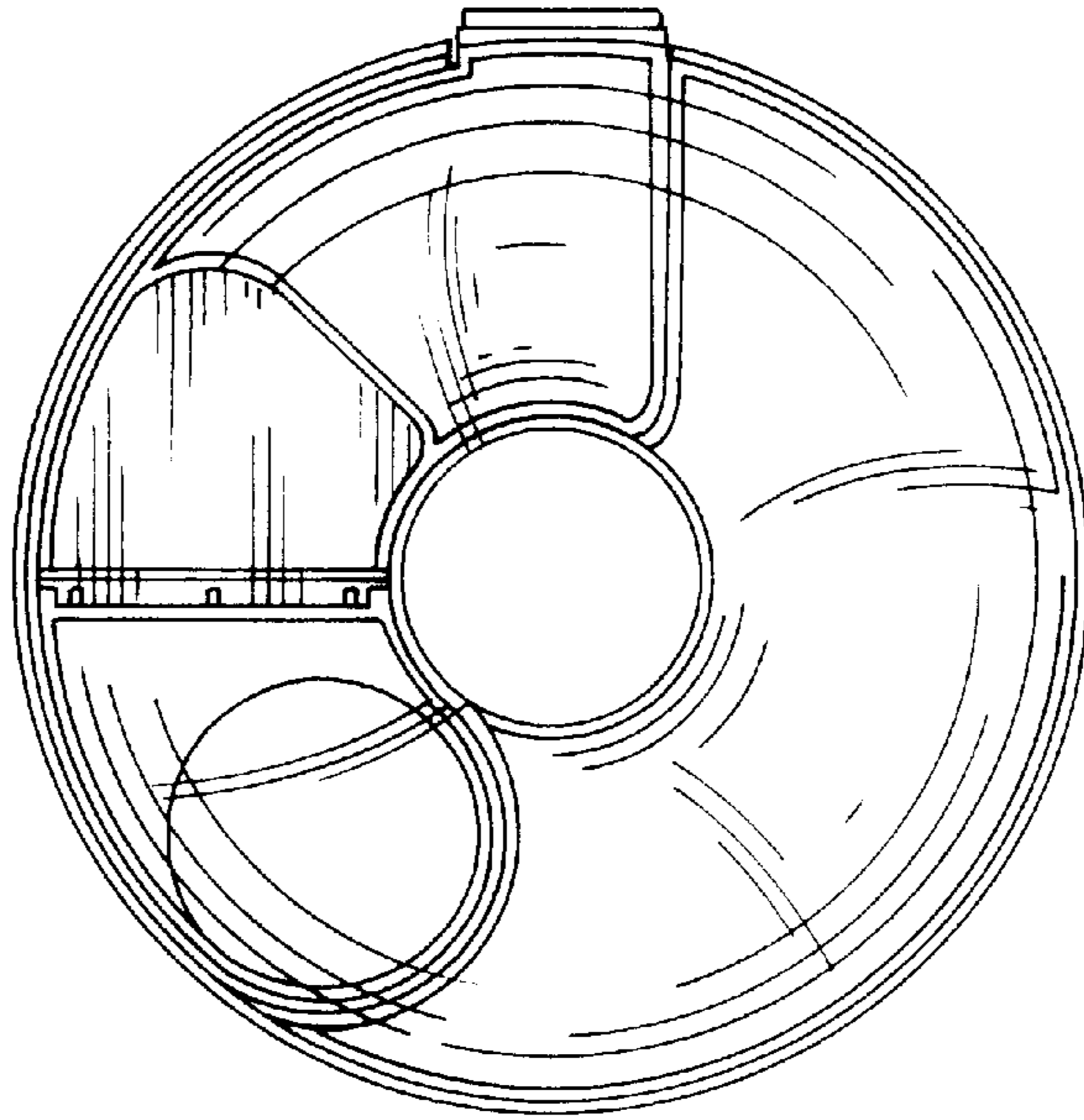


FIG. 2

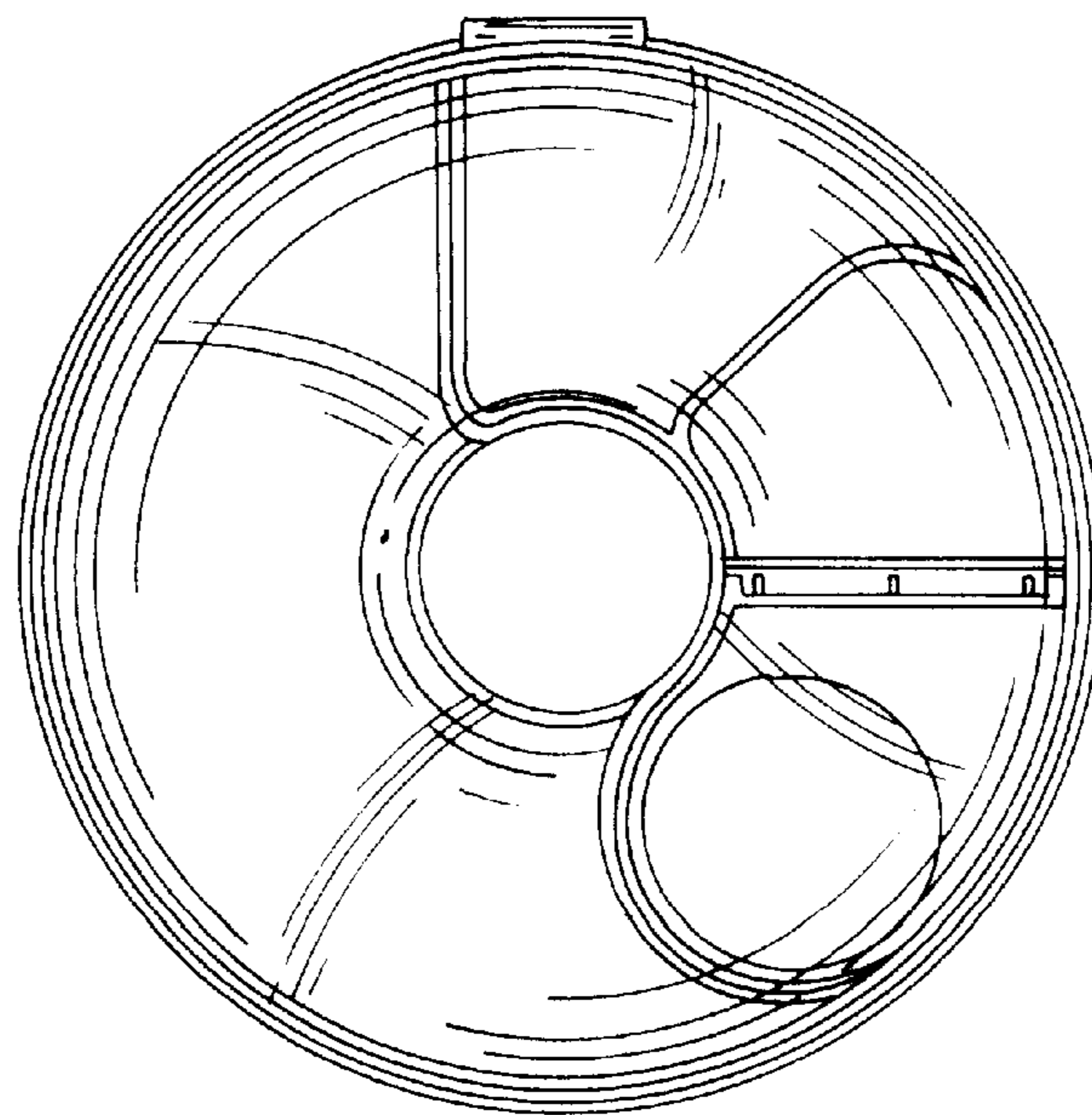


FIG. 3

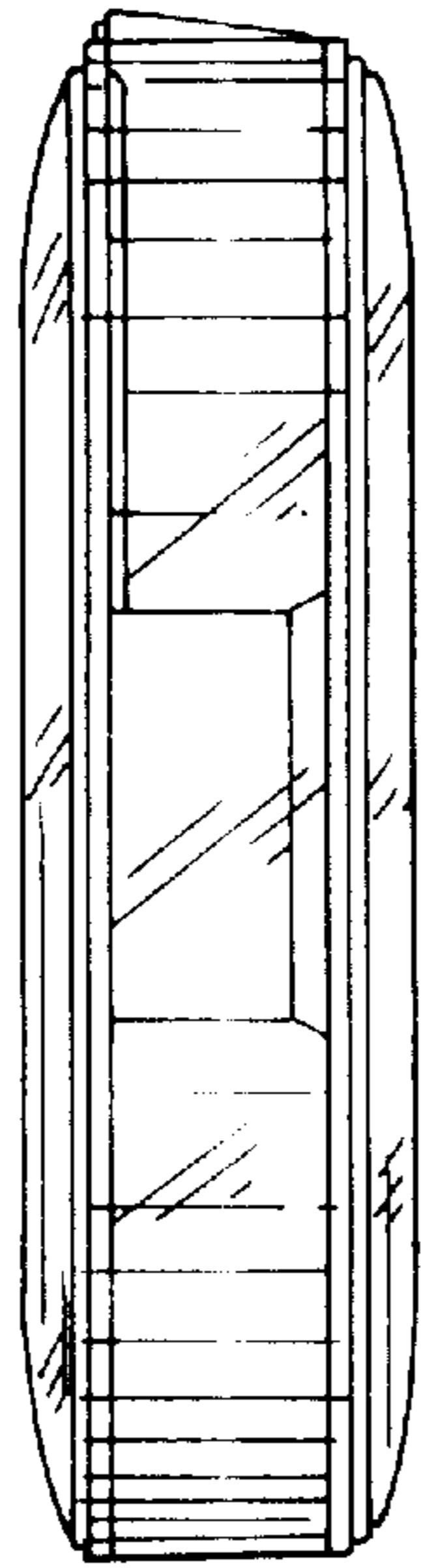


FIG. 4

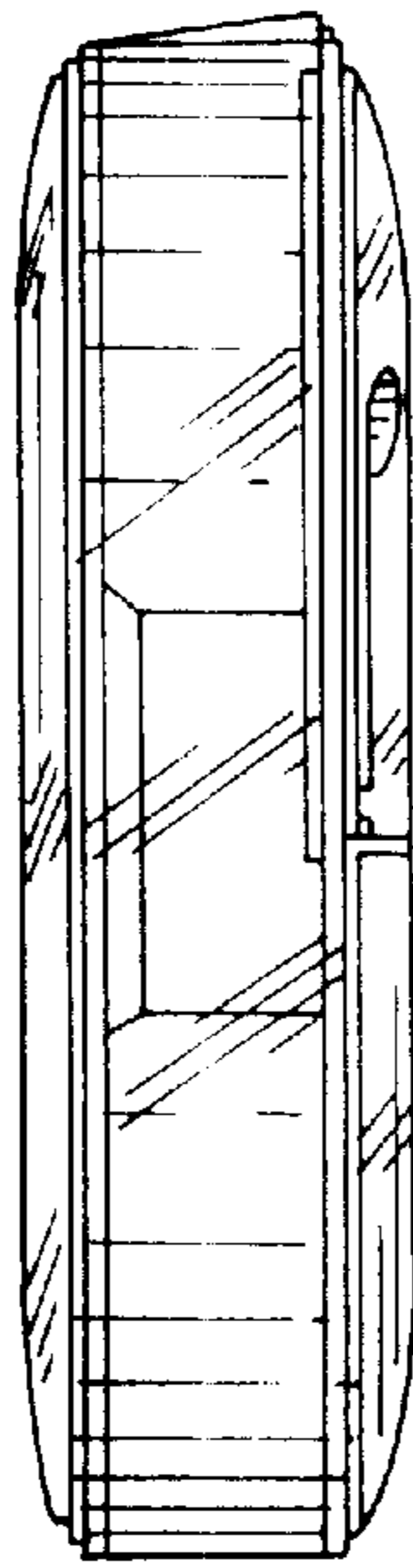


FIG. 5



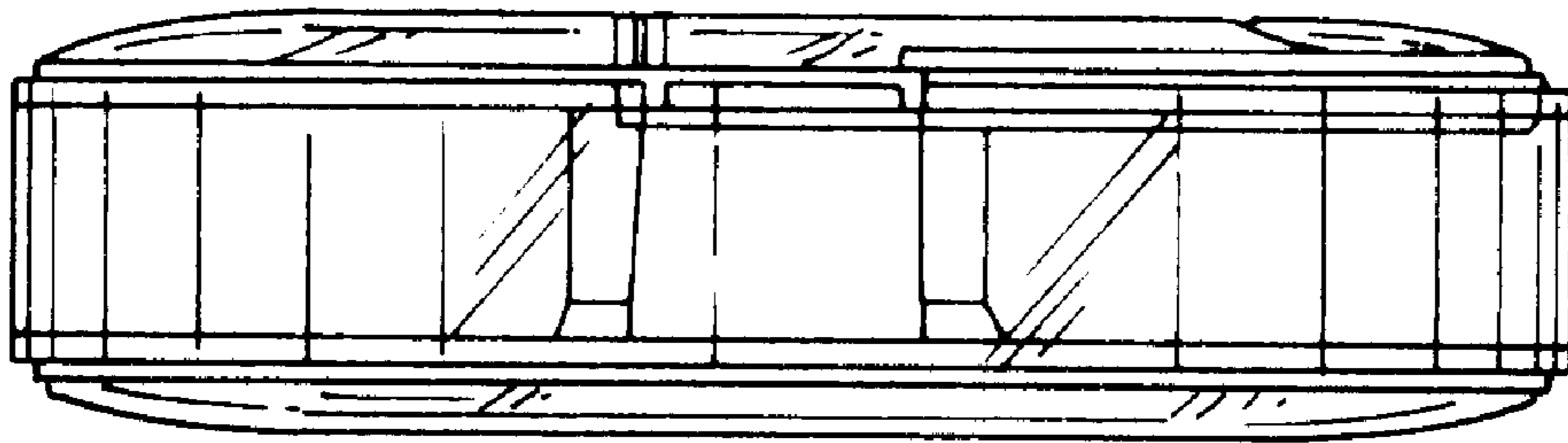


FIG. 6

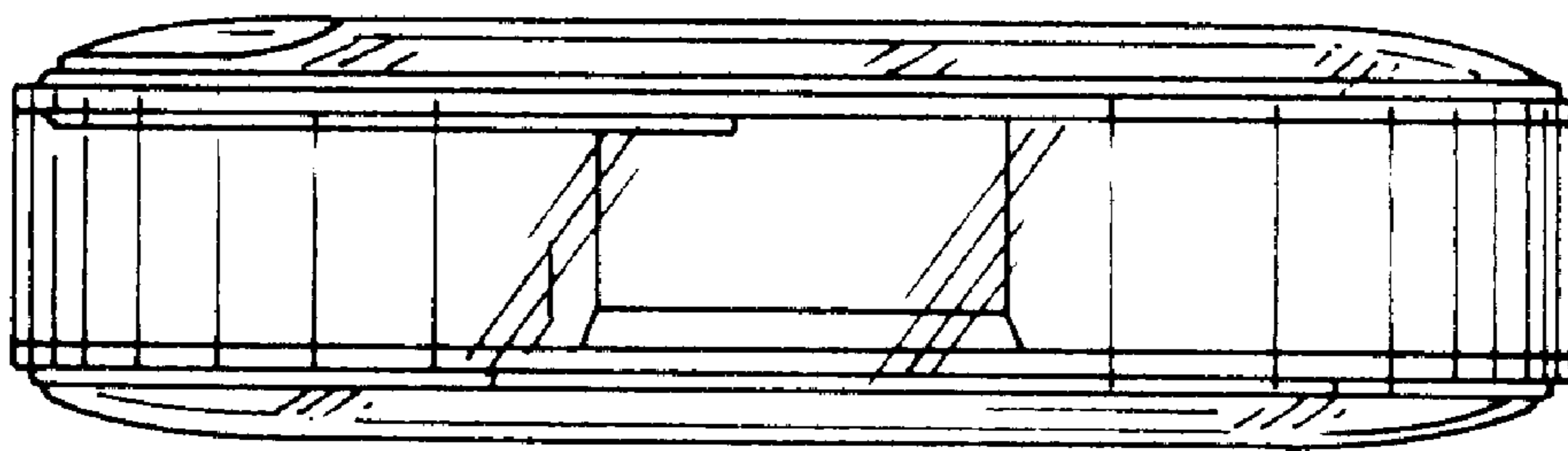


FIG. 7

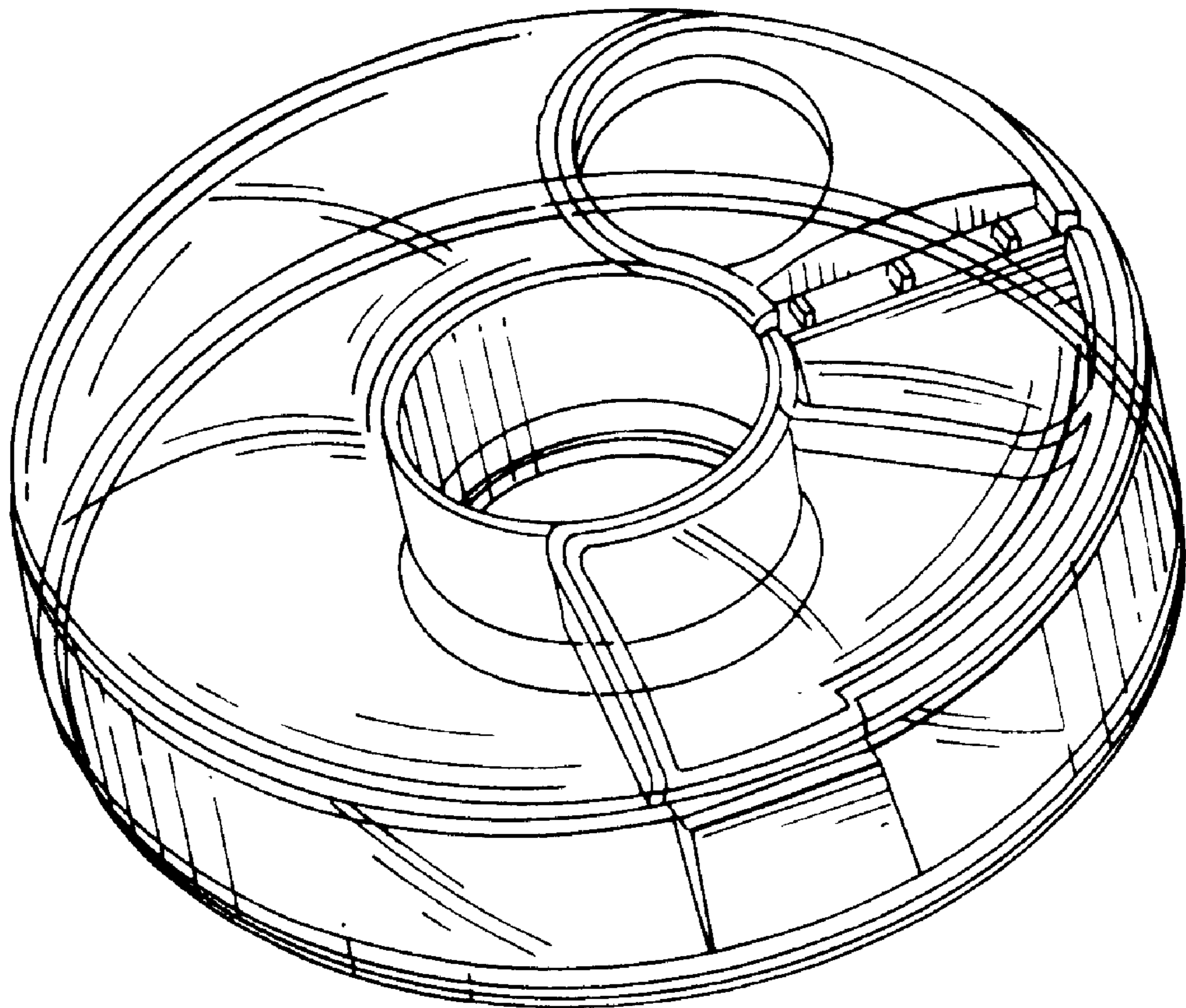


FIG. 8