



US00D475617S

(12) **United States Design Patent**
Angeletta

(10) **Patent No.:** **US D475,617 S**

(45) **Date of Patent:** **** Jun. 10, 2003**

(54) **CAN-SHAPED LIQUID AND LOTION APPLICATOR**

(76) **Inventor:** **Joseph G. Angeletta**, 418 Fifth St.,
Mamaroneck, NY (US) 10543

(**) **Term:** **14 Years**

(21) **Appl. No.:** **29/147,933**

(22) **Filed:** **Sep. 10, 2001**

(51) **LOC (7) Cl.** **09-01**

(52) **U.S. Cl.** **D9/338**

(58) **Field of Search** D9/337, 338, 341,
D9/344, 347, 503, 504, 529, 548, 549,
562, 574, 434, 435, 436, 440, 447, 499;
206/205, 209, 210, 216, 223, 568, 581,
229, 277, 438, 527; 220/4.01, 4.03, 4.26,
4.31, 23.83, 23.91, 500, 503, 505, 506,
212, 288, 290, 890

(56) **References Cited**

U.S. PATENT DOCUMENTS

1,942,953 A * 1/1934 Bennett 206/47
2,292,413 A * 8/1942 Taylor 206/47
2,365,921 A * 12/1944 Vaughn 15/131.1
D238,751 S * 2/1976 MacGrossen D9/1

D262,438 S * 12/1981 Sears et al. D9/338
D328,248 S * 7/1992 Ruff D9/418
D362,801 S * 10/1995 Milroy D9/347
D400,005 S * 10/1998 Wolf D3/203
6,073,771 A * 6/2000 Pressley et al. 206/524.4

* cited by examiner

Primary Examiner—Ted Shooman

Assistant Examiner—Daniel Bui

(74) *Attorney, Agent, or Firm*—Scully, Scott, Murphy &
Presser

(57) **CLAIM**

The ornamental design for a can-shaped liquid and lotion applicator, as shown and described.

DESCRIPTION

FIG. 1 is an exploded perspective view of a can-shaped liquid and lotion applicator showing my new design;
FIG. 2 is a fully exploded perspective view thereof on a reduced scale;
FIG. 3 is a perspective view thereof in assembled condition on a reduced scale;
FIG. 4 is a partially cutaway side elevation view thereof; and,
FIG. 5 is a side elevation view thereof.

1 Claim, 3 Drawing Sheets

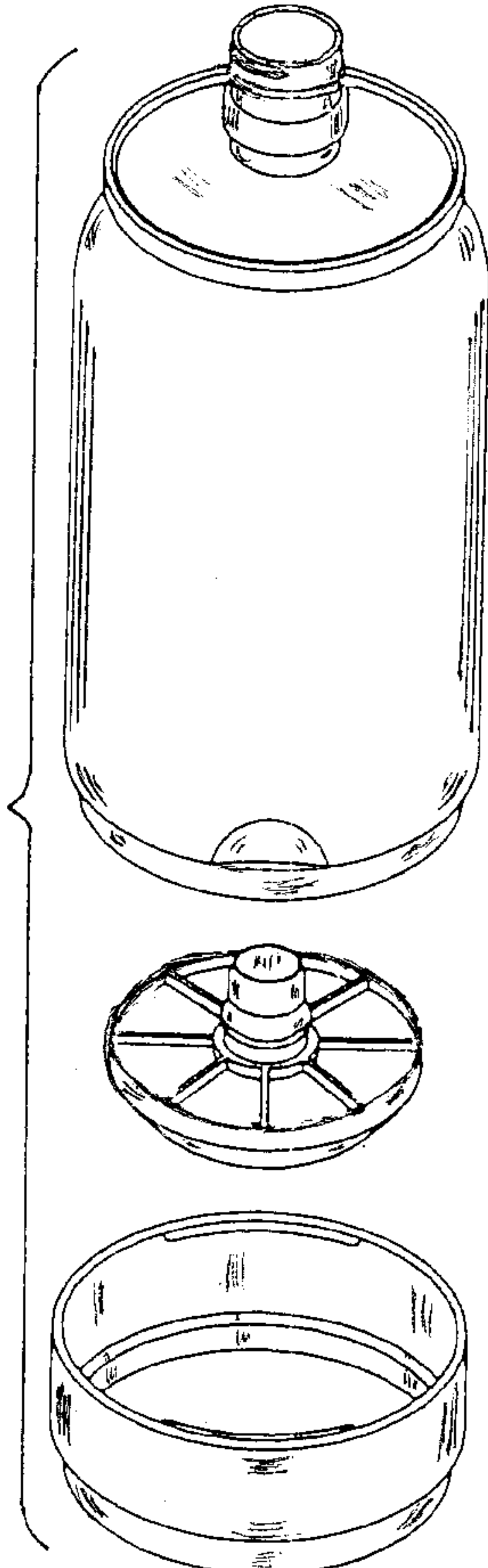
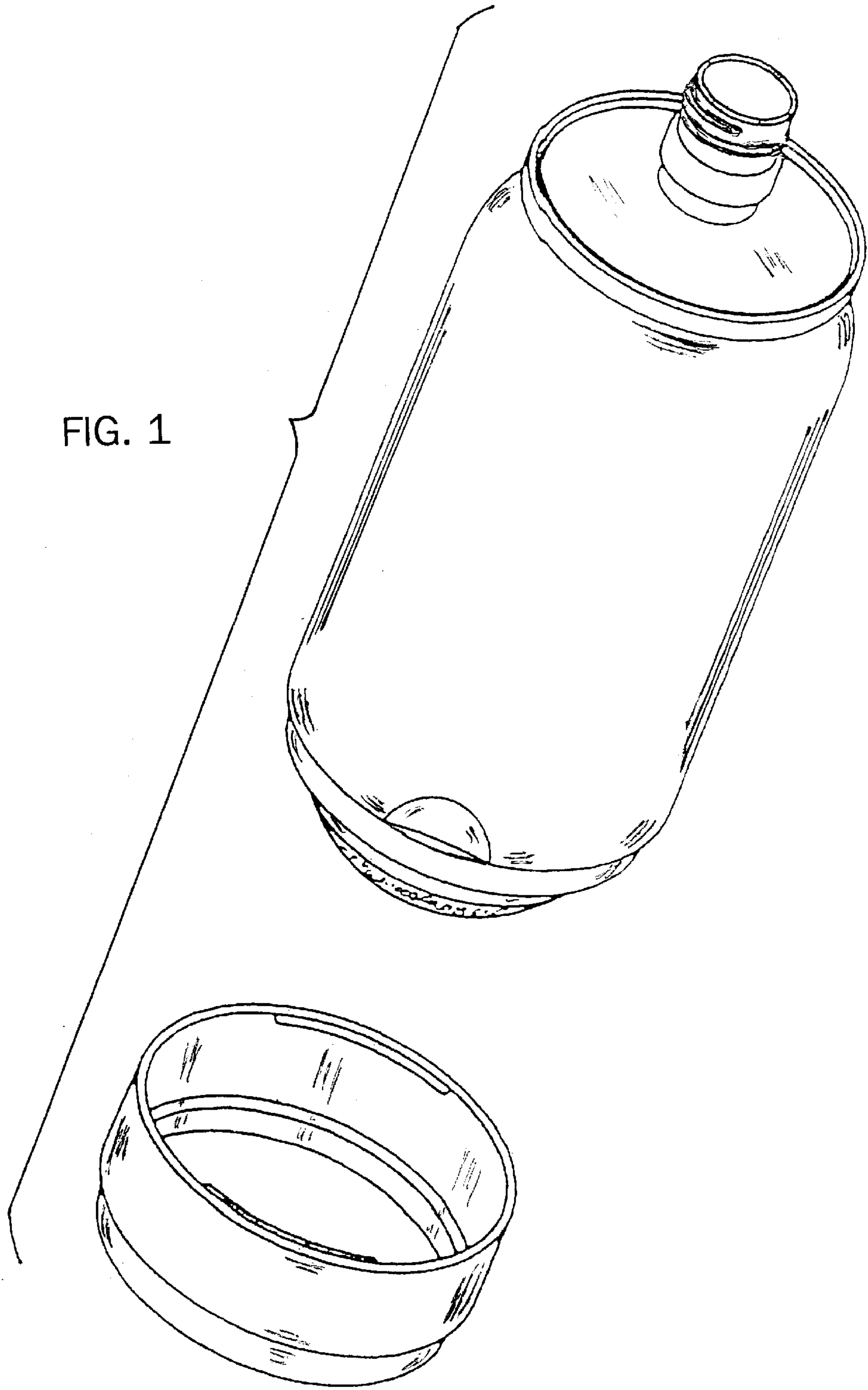


FIG. 1



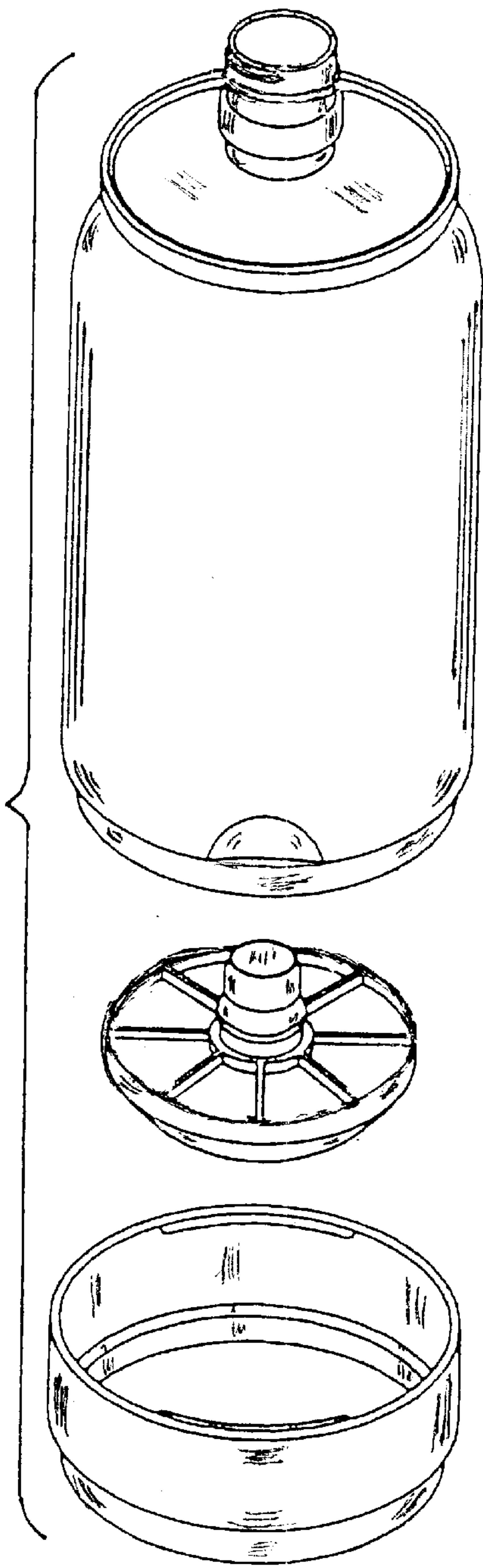


FIG. 2

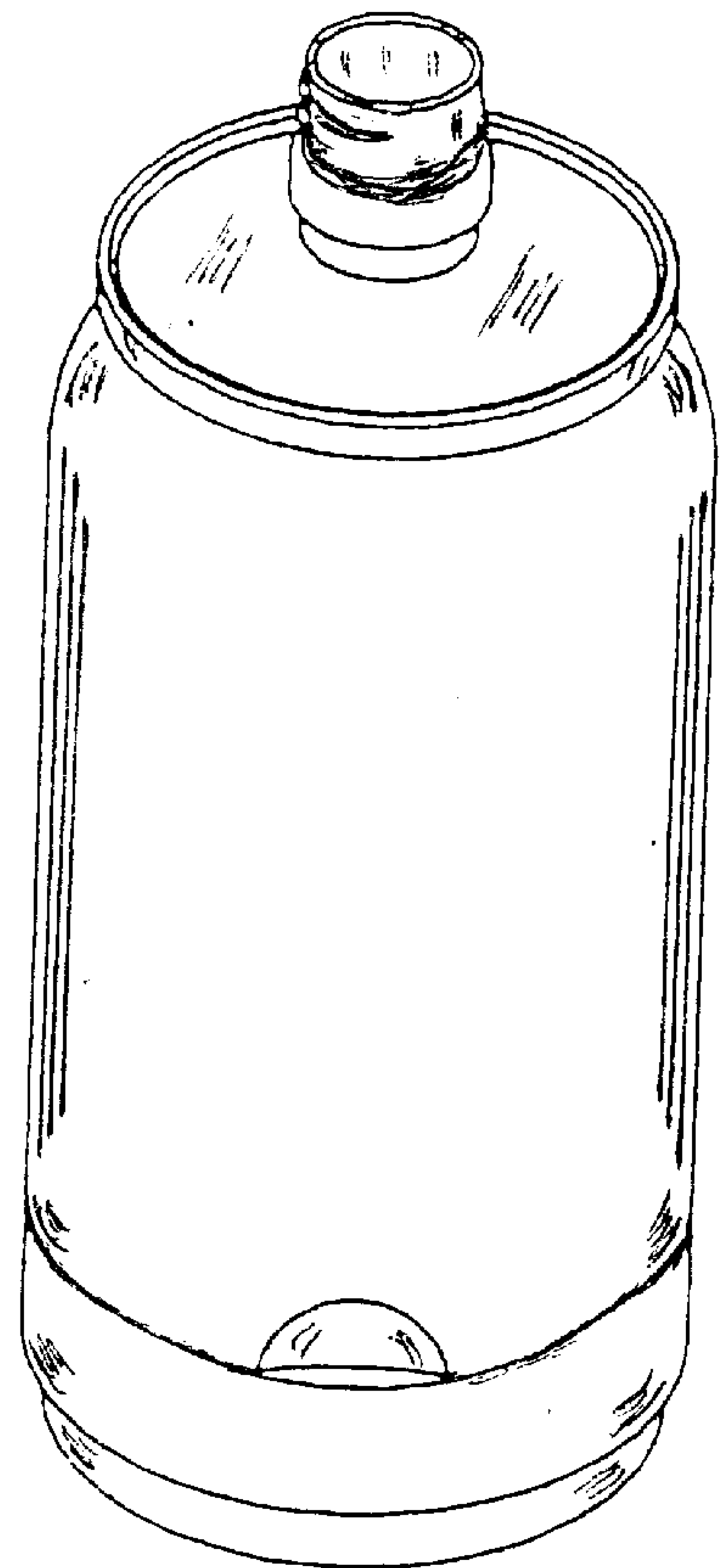


FIG. 3

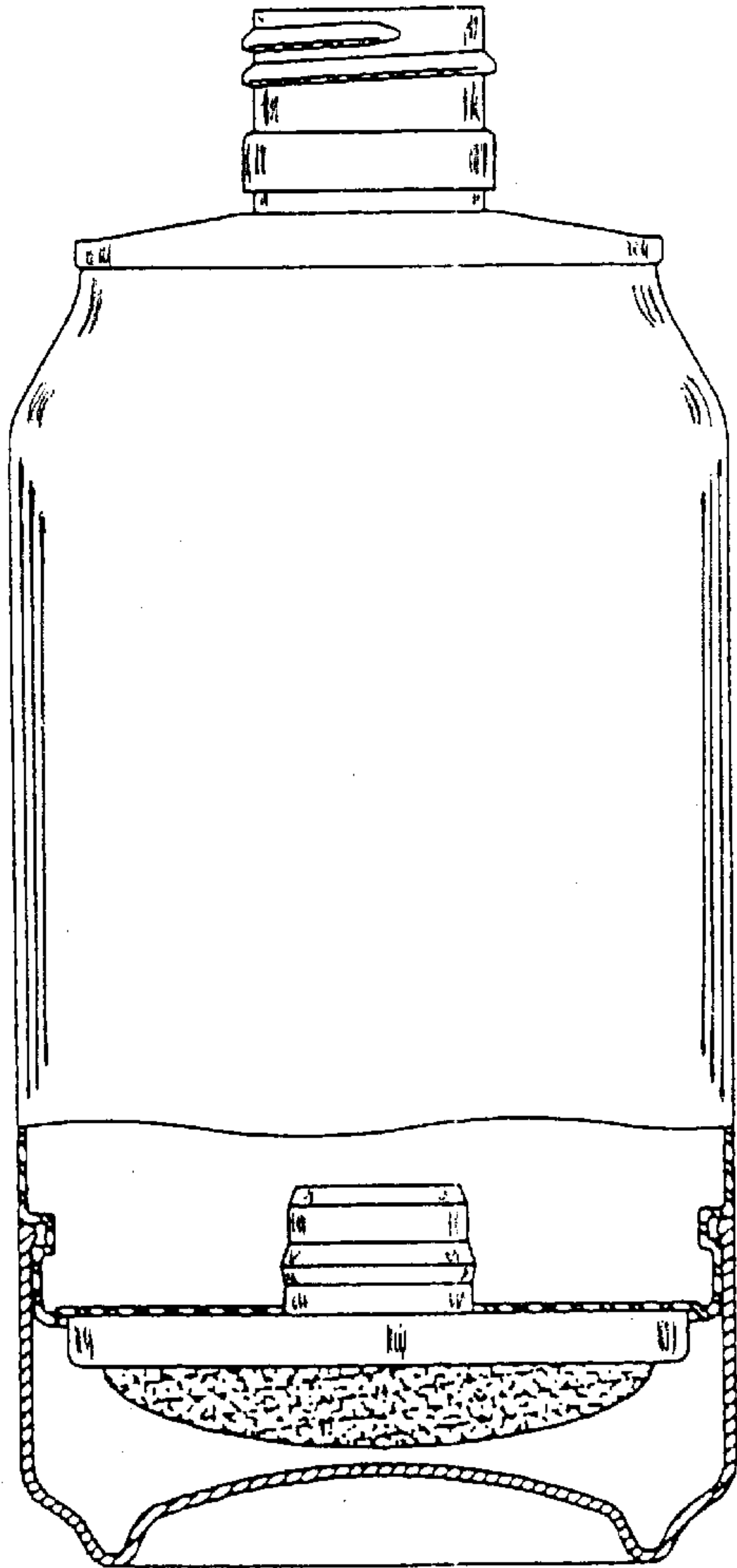


FIG. 4

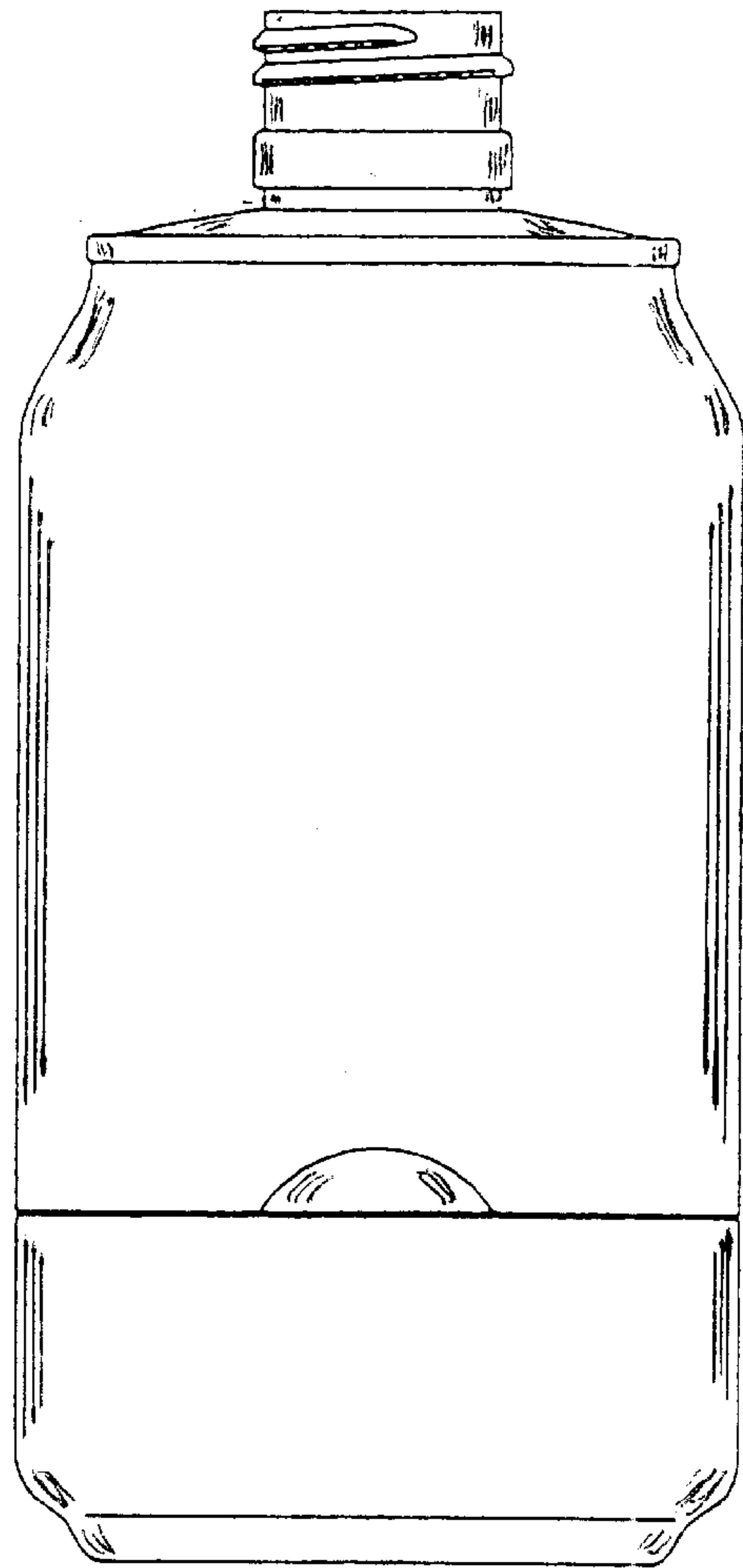


FIG. 5