



US00D475613S

(12) **United States Design Patent**  
**Mullane**

(10) **Patent No.: US D475,613 S**

(45) **Date of Patent: \*\* Jun. 10, 2003**

(54) **SNOW STOP**

(76) Inventor: **Michael J. Mullane**, 37 Vinal St.,  
Hudson, MA (US) 01749

(\*\*) Term: **14 Years**

(21) Appl. No.: **29/156,910**

(22) Filed: **Mar. 8, 2002**

**Related U.S. Application Data**

(63) Continuation-in-part of application No. 29/148,939, filed on  
Sep. 28, 2001, now Pat. No. Des. 457,423, which is a  
continuation-in-part of application No. 29/131,960, filed on  
Oct. 30, 2001, now Pat. No. Des. 455,068.

(51) **LOC (7) Cl. .... 08-99**

(52) **U.S. Cl. .... D8/499**

(58) **Field of Search ..... D8/499; 52/24,**  
**52/25, 26, 98**

(56) **References Cited**

**U.S. PATENT DOCUMENTS**

D30,788 S	5/1899	Clark	
3,296,750 A	1/1967	Zaleski	
D254,051 S	1/1980	Zaleski	
5,282,340 A	2/1994	Cline et al.	
5,343,659 A	9/1994	Zaleski	
D351,989 S	11/1994	Cline et al.	
5,371,979 A	12/1994	Kwiatkowski et al.	
D360,476 S	* 7/1995	Smeja et al. ....	D25/199
D364,338 S	11/1995	Cline	
D364,556 S	11/1995	Lee et al.	
5,471,799 A	12/1995	Smeja et al.	
5,522,185 A	6/1996	Cline	
D372,421 S	8/1996	Cline	
5,570,557 A	11/1996	Kwiatkowski et al.	
5,655,334 A	8/1997	Kwiatkowski	
5,664,374 A	9/1997	Lee	
D387,443 S	* 12/1997	Blankenbiller .....	D25/199
D397,809 S	* 9/1998	Nelson et al. ....	D25/199
5,901,507 A	5/1999	Smeja et al.	
D418,403 S	1/2000	Cline	
D419,863 S	2/2000	Mullane	
D440,672 S	* 4/2001	Alexander .....	D25/199

**OTHER PUBLICATIONS**

Berger Building Products Corp., "Your One Stop Snow  
Guard Shop," Bergerbros.com, 1997, nominal, downloaded  
Sep. 26, 2000, including Real-Tool® and Snow Brakes®  
snowguards, models RT-200, RT-300, AP-300, AP-400,  
AP-516, SM, RTCLSM, RTCLSR, SB-190, No. 100, No.  
100 Shoe, No. 1, No. 20, No. 2, No. 95, and SGLLC1.  
M.J. Mullane Co., "Cast Snow & Ice Guards," brochure.  
M.J. Mullane Co., "Snow Guards," brochure.  
Snoblox, *Metal Architecture*, Aug. 2001, ad, p. 62.  
Snojax Inc., *Metal Construction News*, ca. Jan. 1993, "A  
Space Age Snowguard for Metal Roof Surface," ad.

\* cited by examiner

*Primary Examiner*—Brian N. Vinson

(74) *Attorney, Agent, or Firm*—Christopher John Rudy

(57) **CLAIM**

The ornamental design for a snow stop, as shown and  
described.

**DESCRIPTION**

FIG. 1 is top view of a snow stop of the invention and  
showing my new design, which is made of an opaque  
material, its base having holes and a grooved, rough sur-  
faced bottom;

FIG. 2 is a bottom view thereof;

FIG. 3 is a front view thereof;

FIG. 4 is a left side view thereof; its right side being a mirror  
image whereof;

FIG. 5 is a rear view thereof;

FIG. 6 is a top, left, rear perspective view thereof; and

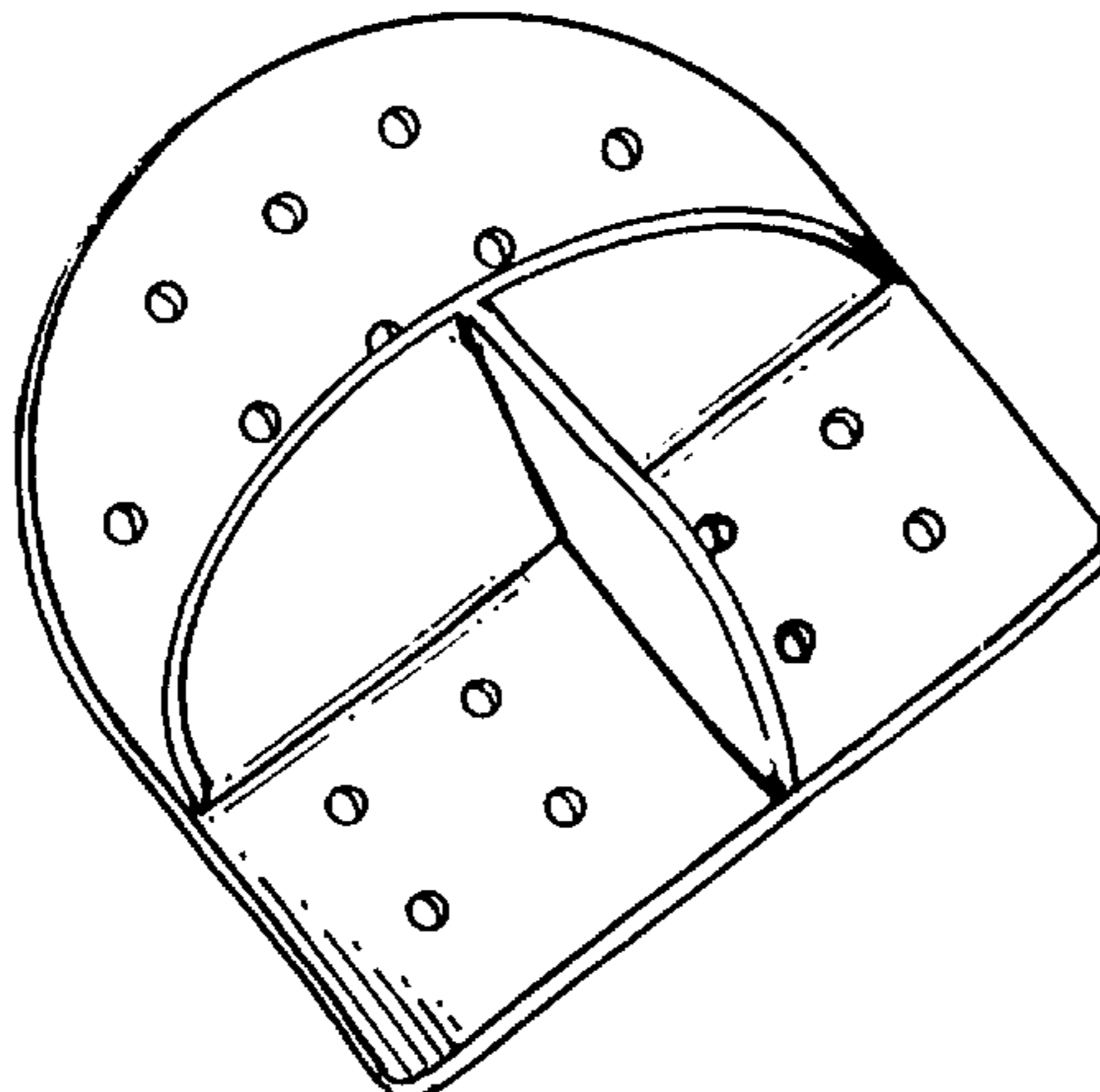
FIG. 7 shows detail of bottom slots or grooves in the base  
thereof.

FIG. 8 is a top view of another embodiment of a snow stop  
of the invention and showing my new design, which is made  
of an opaque material, its base without holes but having a  
grooved, rough surfaced bottom;

FIG. 9 is a bottom view thereof; and,

FIG. 10 is a top, left, rear perspective view thereof, with the  
remaining views being otherwise akin to FIGS. 3-5 and 7.

**1 Claim, 2 Drawing Sheets**



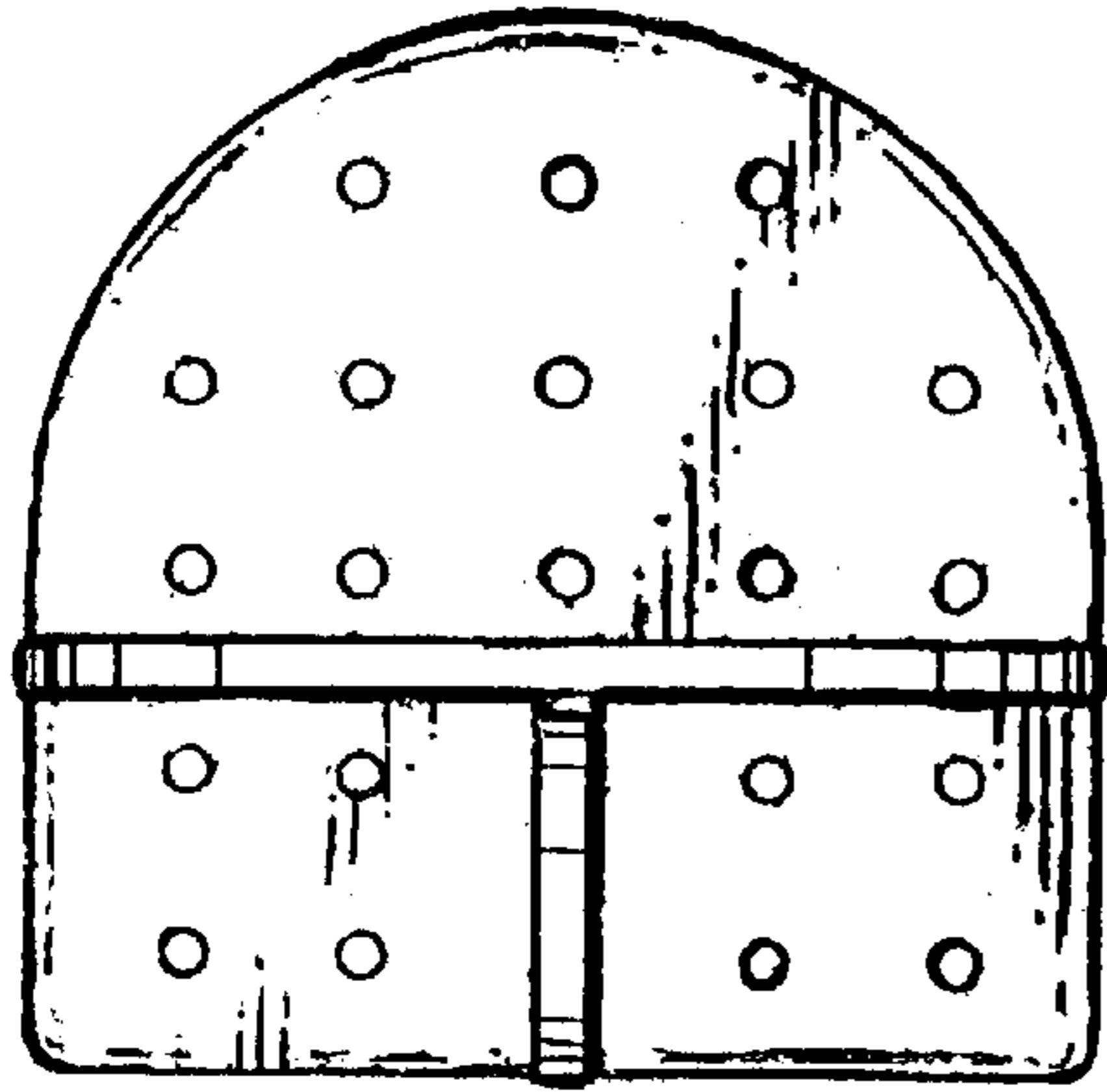


FIG. 1

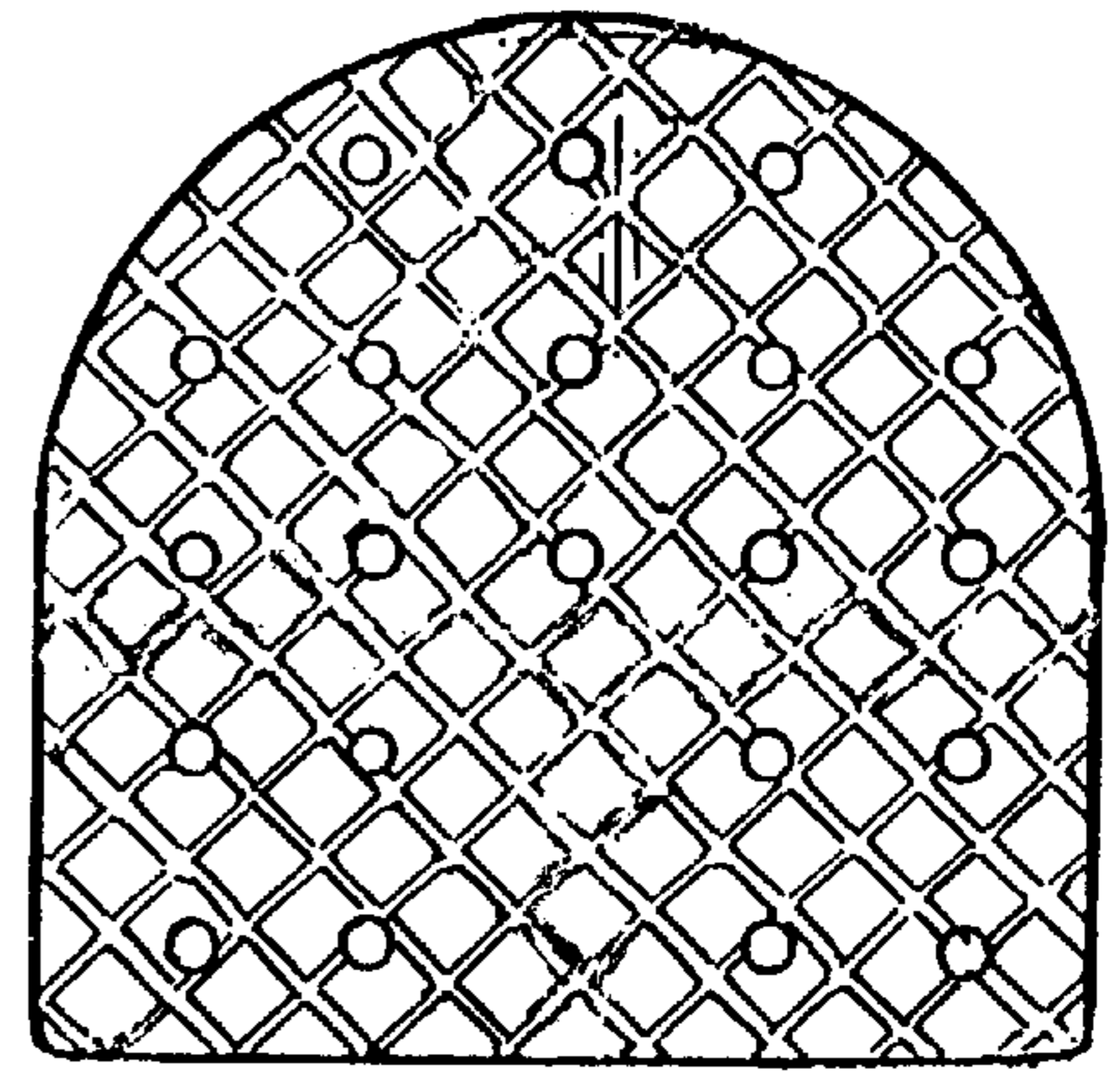


FIG. 2

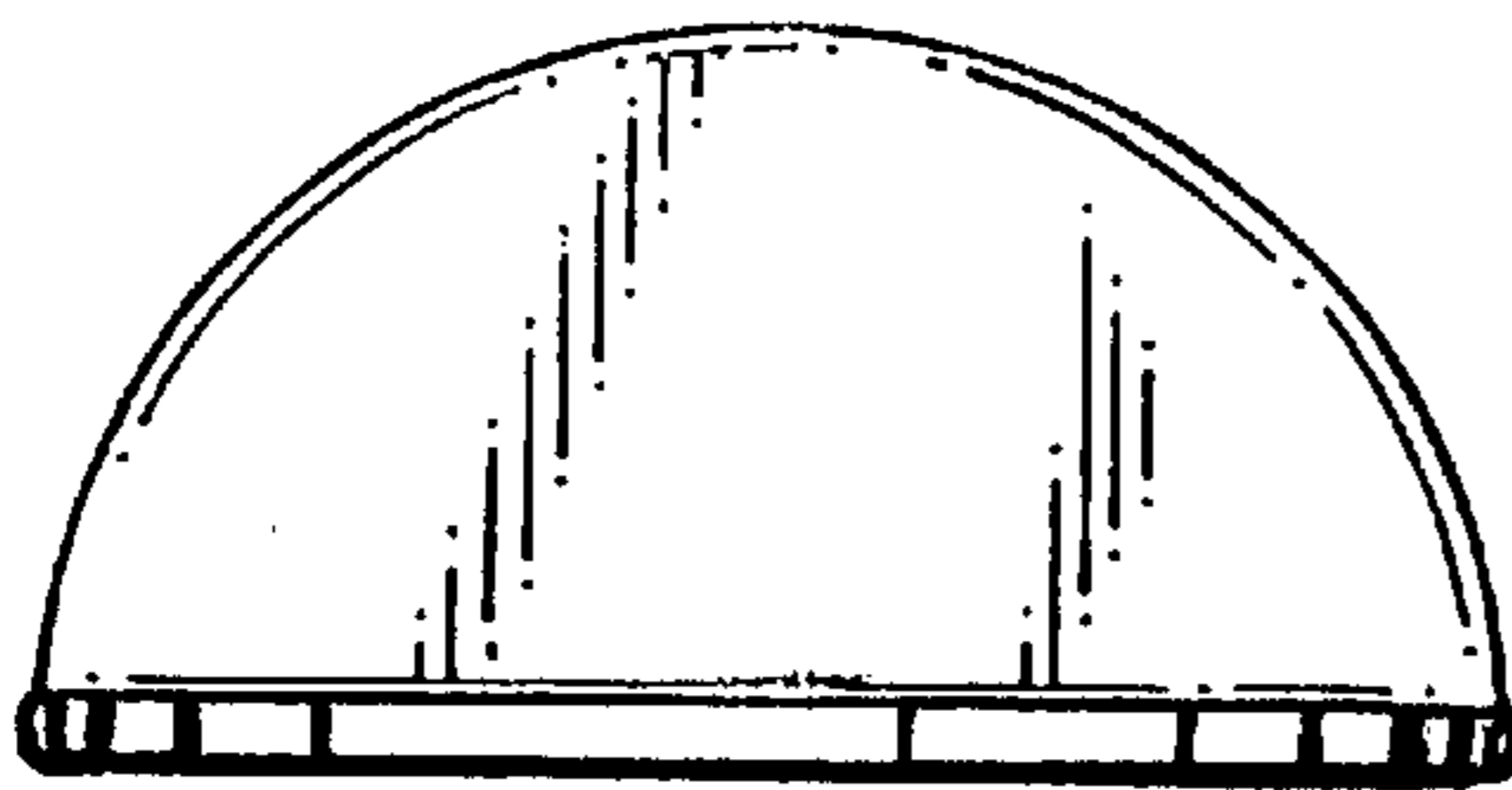


FIG. 3

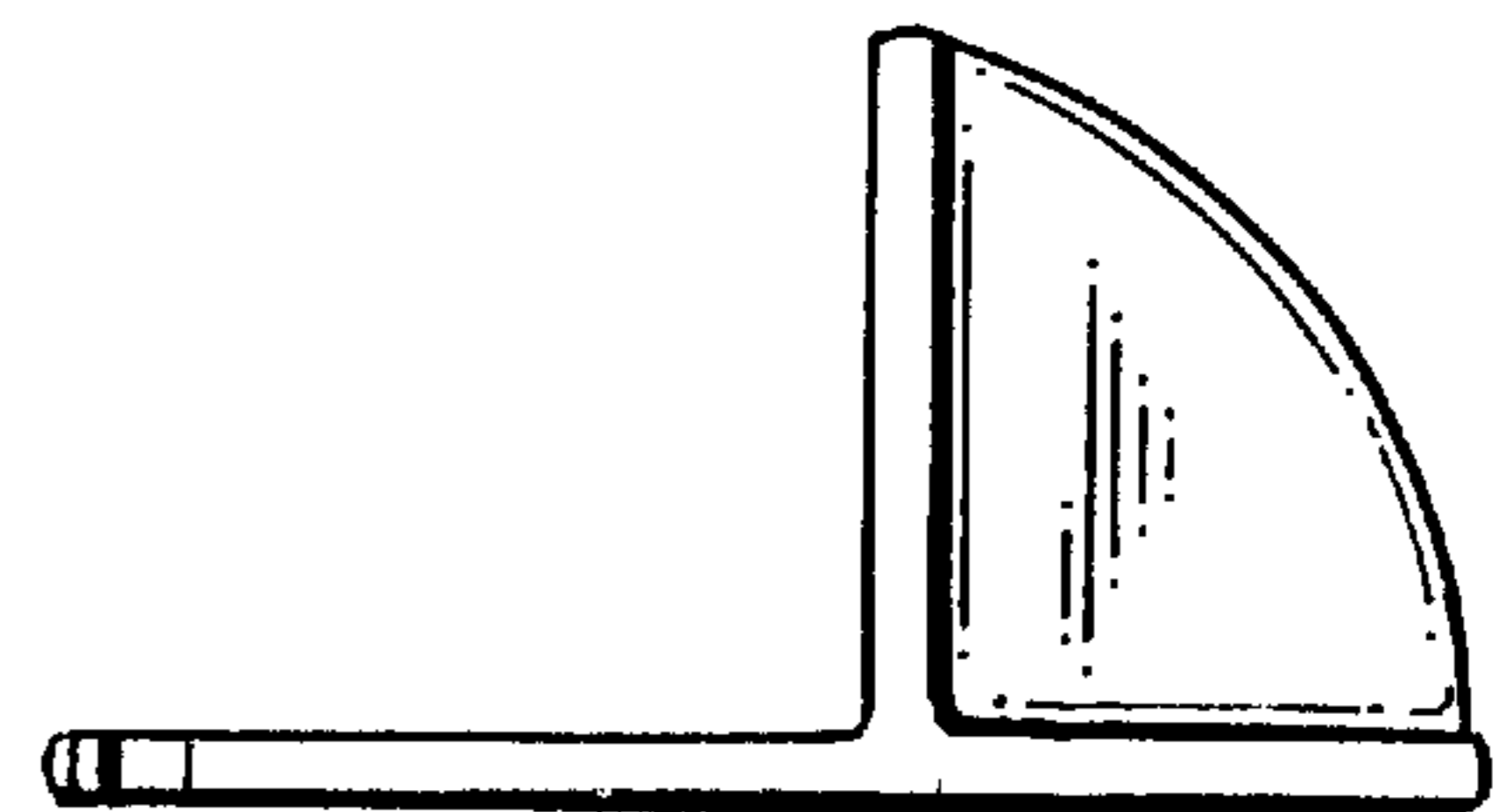


FIG. 4

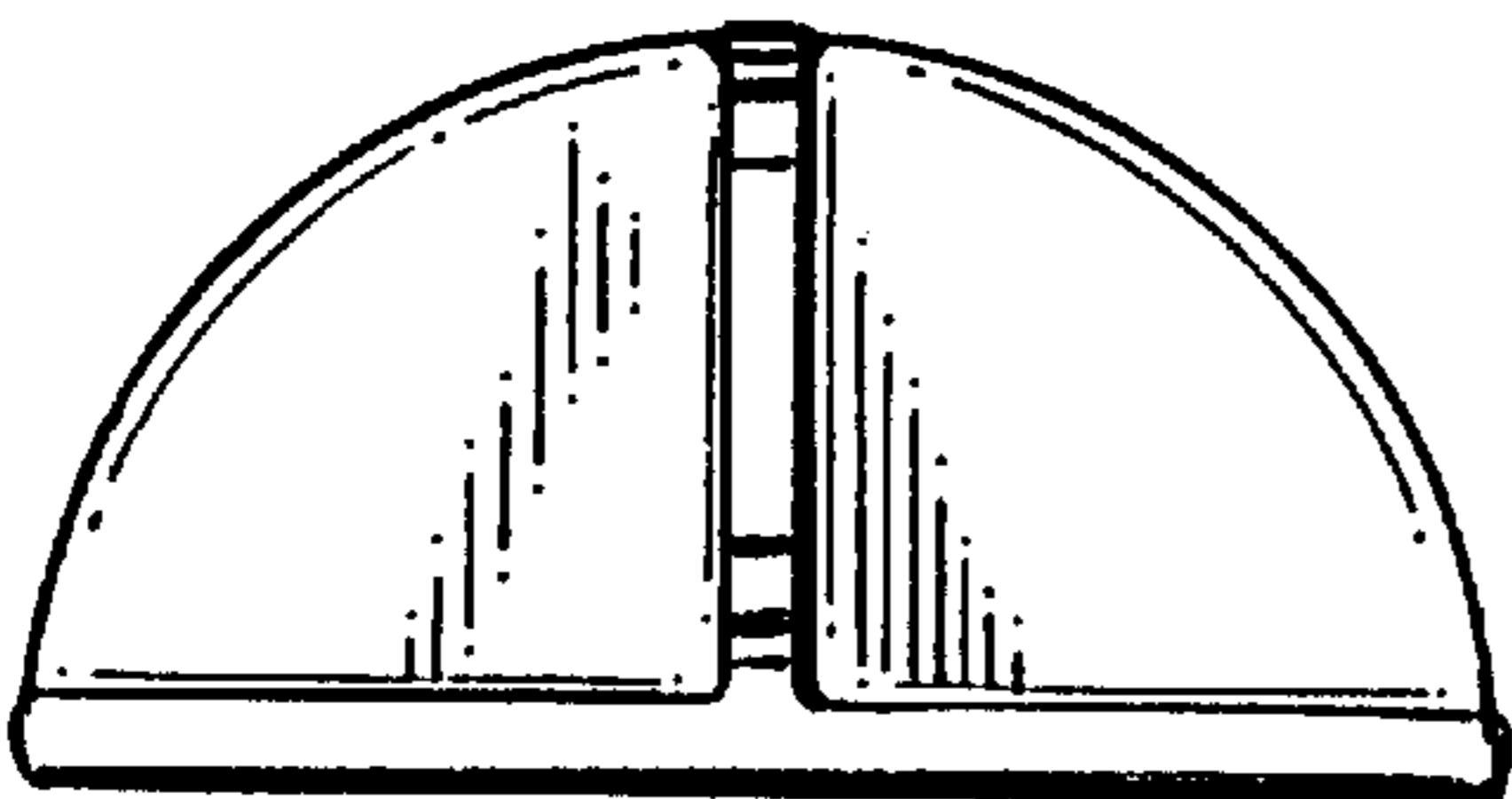


FIG. 5

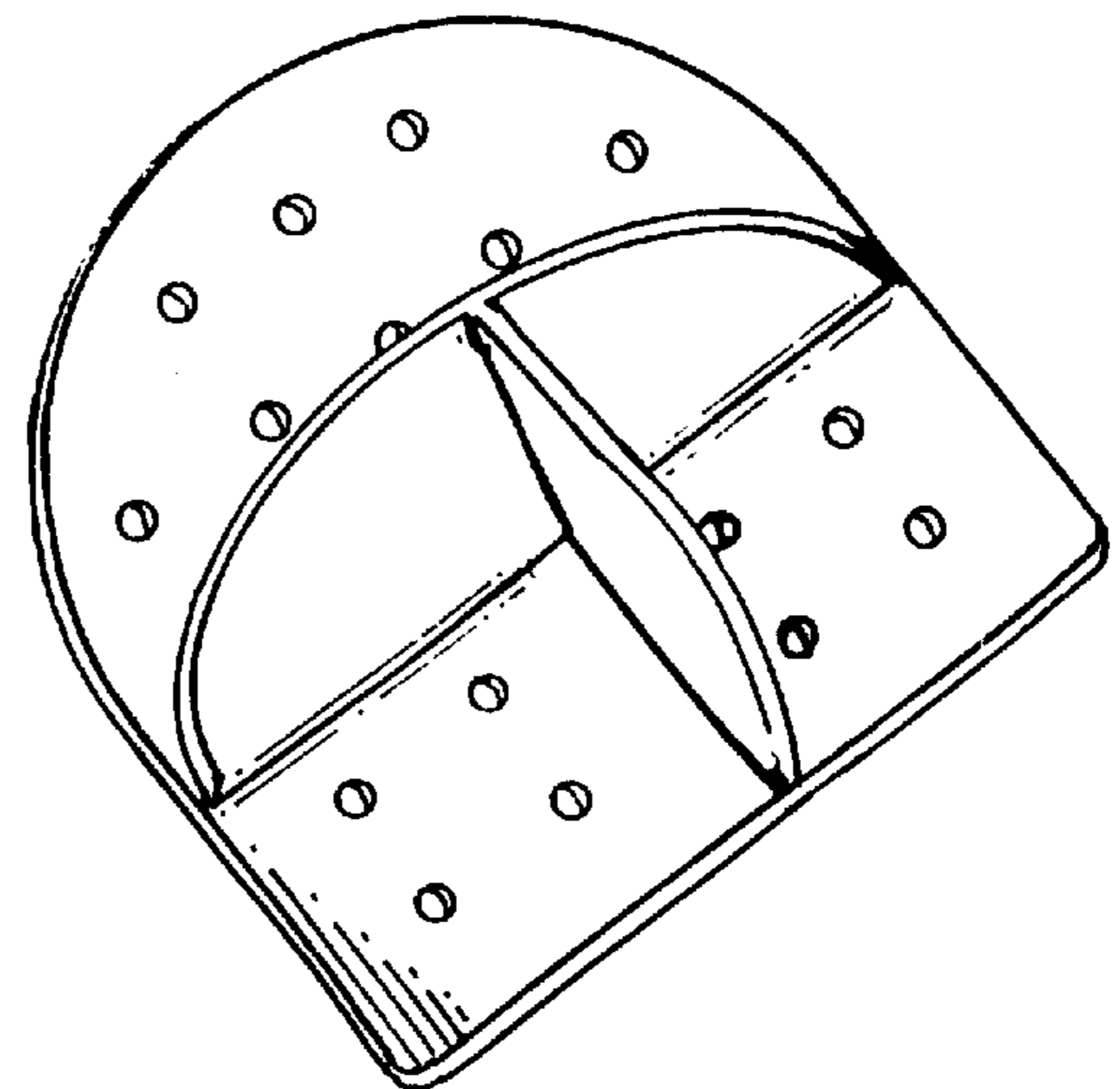


FIG. 6



FIG. 7

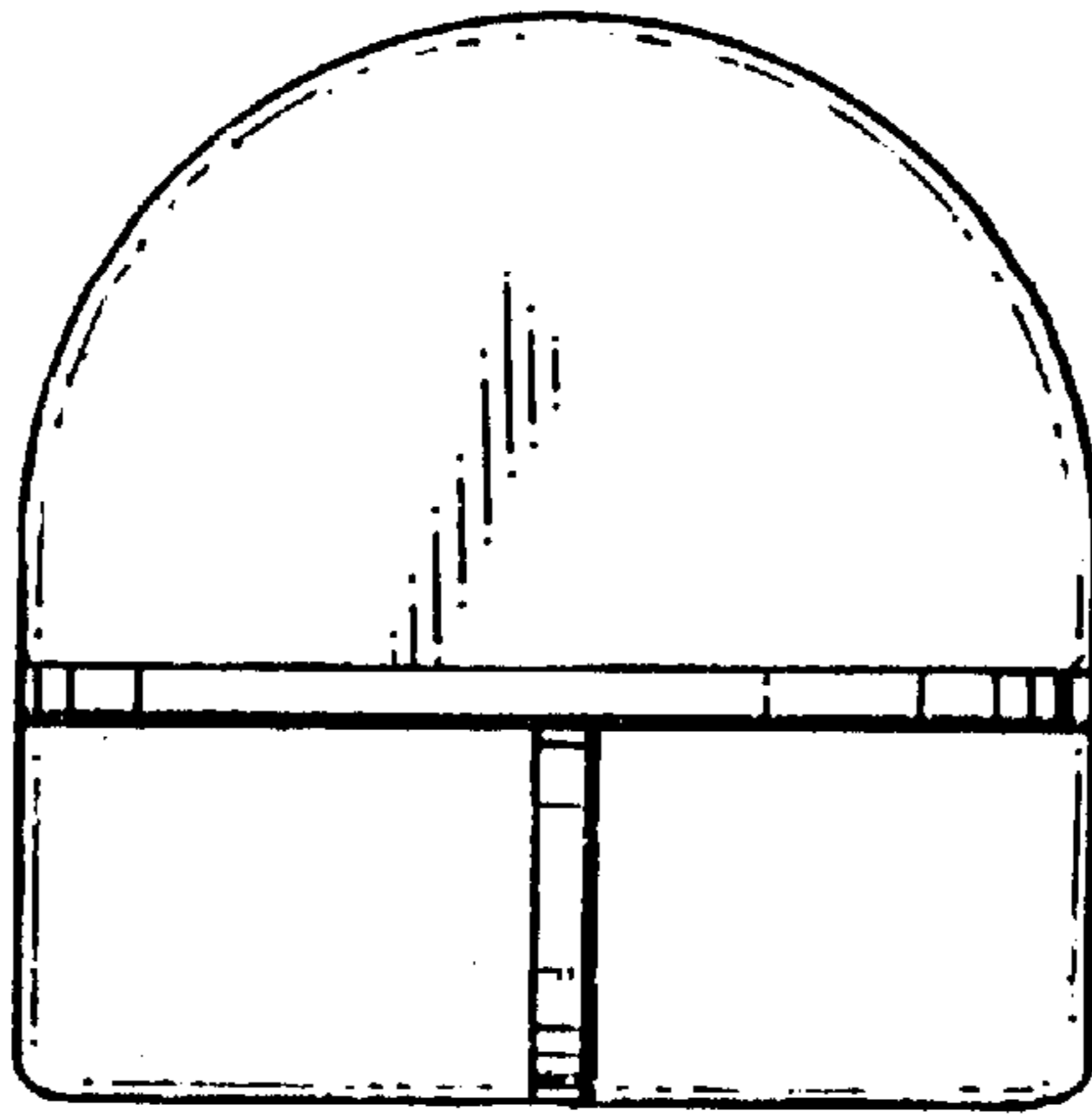


FIG. 8

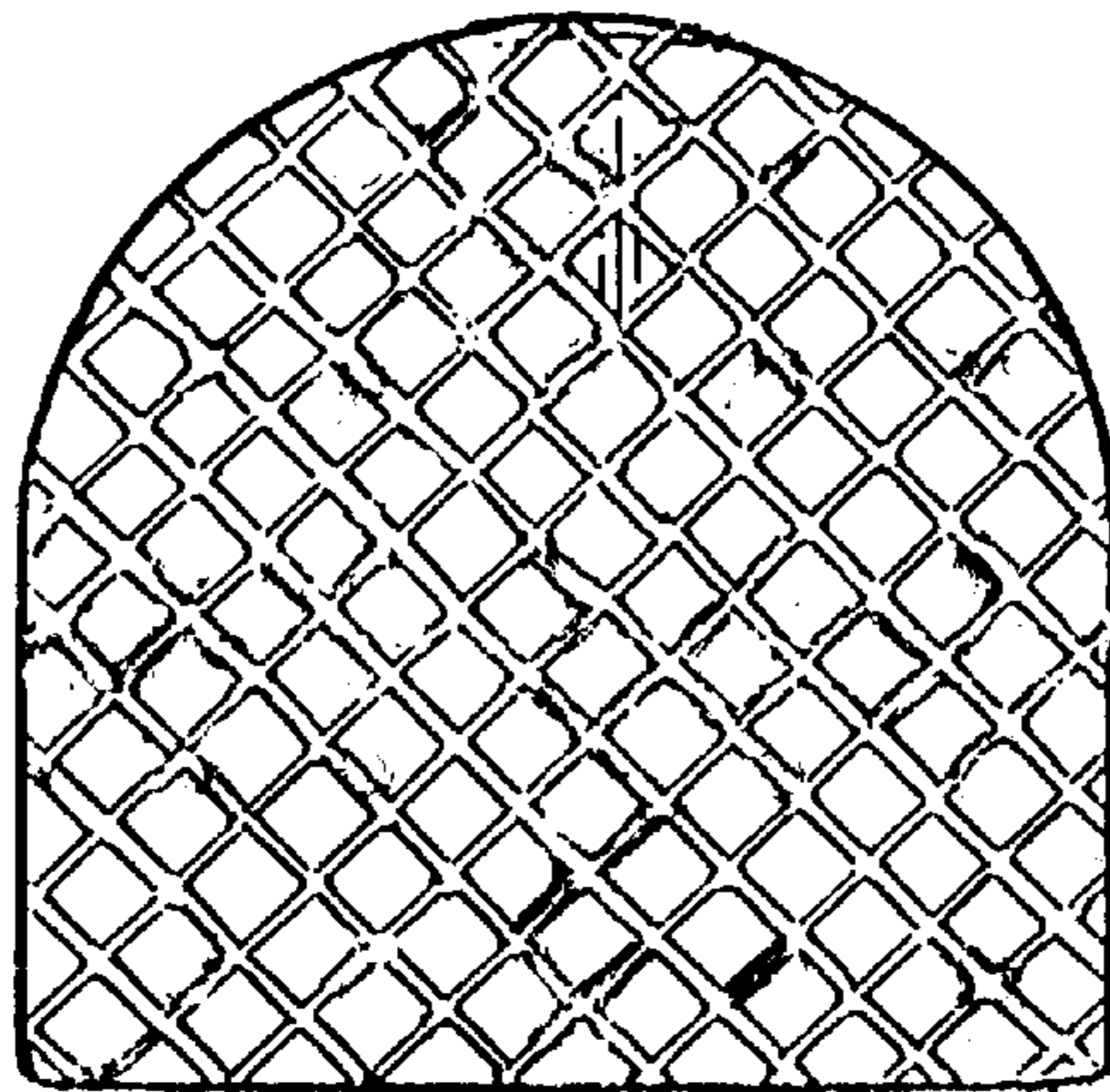


FIG. 9

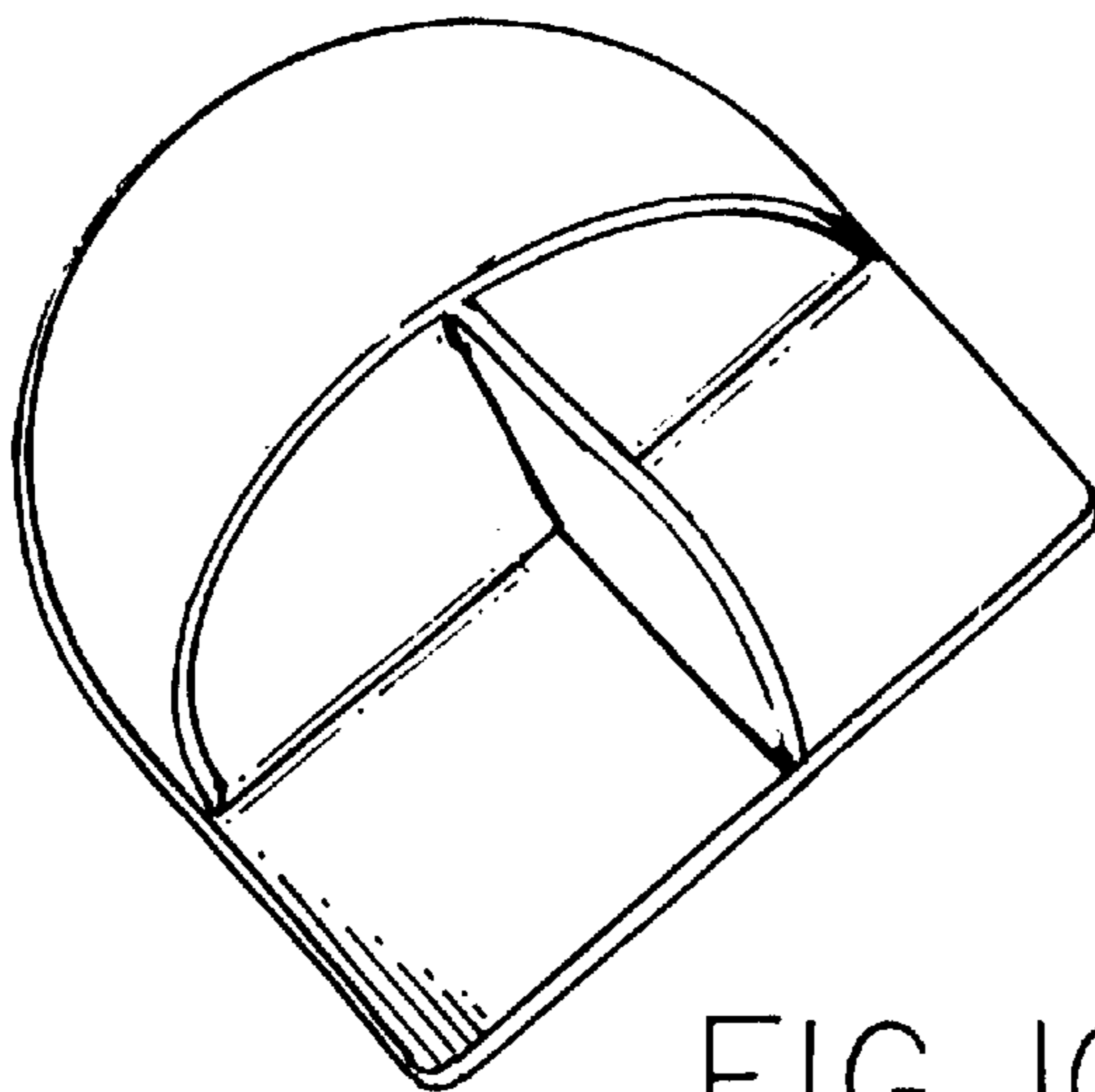


FIG. 10