



US00D475607S

(12) **United States Design Patent**
Kelleghan

(10) **Patent No.:** **US D475,607 S**

(45) **Date of Patent:** **** Jun. 10, 2003**

(54) **STOCKING SHAPED CARABINER**

D465,994 S 11/2002 Kelleghan

(75) **Inventor:** **Brian James Kelleghan**, Longmont,
CO (US)

(73) **Assignee:** **Bison Designs, L.L.C.**, Longmont, CO
(US)

(**) **Term:** **14 Years**

(21) **Appl. No.:** **29/168,496**

(22) **Filed:** **Oct. 3, 2002**

(51) **LOC (7) Cl.** **08-05**

(52) **U.S. Cl.** **D8/356**

(58) **Field of Search** D1/104, 120, 126;
D8/333, 356, 367, 370, 383; D11/126, 133,
158, 200, 211; 24/583.1, 587.1, 588.1,
588.11, 594.11, 598.1, 598.2, 598.3, 598.4,
599.1, 599.2, 599.3, 599.5, 599.6, 599.7,
599.8, 599.9, 600.1, 600.3, 600.9, 601.5;
248/231.9, 231.91; 294/82.17, 82.19, 82.2;
428/7, 13, 28

(56) **References Cited**

U.S. PATENT DOCUMENTS

997,630 A	7/1911	Lozenski	
D299,623 S	* 1/1989	Lauster	D11/126
D345,688 S	* 4/1994	McLean et al.	D8/356
5,329,675 A	7/1994	McLean et al.	
5,463,798 A	11/1995	Wurzer	
D448,276 S	9/2001	Kelleghan	
D454,054 S	3/2002	Kelleghan	
D465,993 S	11/2002	Kelleghan	

OTHER PUBLICATIONS

U.S. patent application Ser. No. 29/154,974, Kelleghan, filed Feb. 1, 2002.

U.S. patent application Ser. No. 29/135,353, Kelleghan, filed Jan. 1, 2001.

U.S. patent application Ser. No. 29/128,297, Kelleghan, filed Aug. 22, 2000.

U.S. patent application Ser. No. 29/168,495, Kelleghan, filed Oct. 3, 2002.

* cited by examiner

Primary Examiner—Robert M. Spear

Assistant Examiner—Elizabeth A. Albert

(74) *Attorney, Agent, or Firm*—Rick Martin; Patent Law Offices of Rick Martin, P.C.

(57) **CLAIM**

The ornamental design for a stocking shaped carabiner, as shown and described.

DESCRIPTION

FIG. 1 is a top plan view of my new design for a stocking shaped carabiner, the bottom plan view being a mirror image thereof;

FIG. 2 is a front side elevation view of FIG. 1.

FIG. 3 is a rear side elevation view of FIG. 1.

FIG. 4 is a right side elevation view of FIG. 1.

FIG. 5 is a left side elevation view of FIG. 1; and,

FIG. 6 is a top perspective view of FIG. 1.

1 Claim, 1 Drawing Sheet

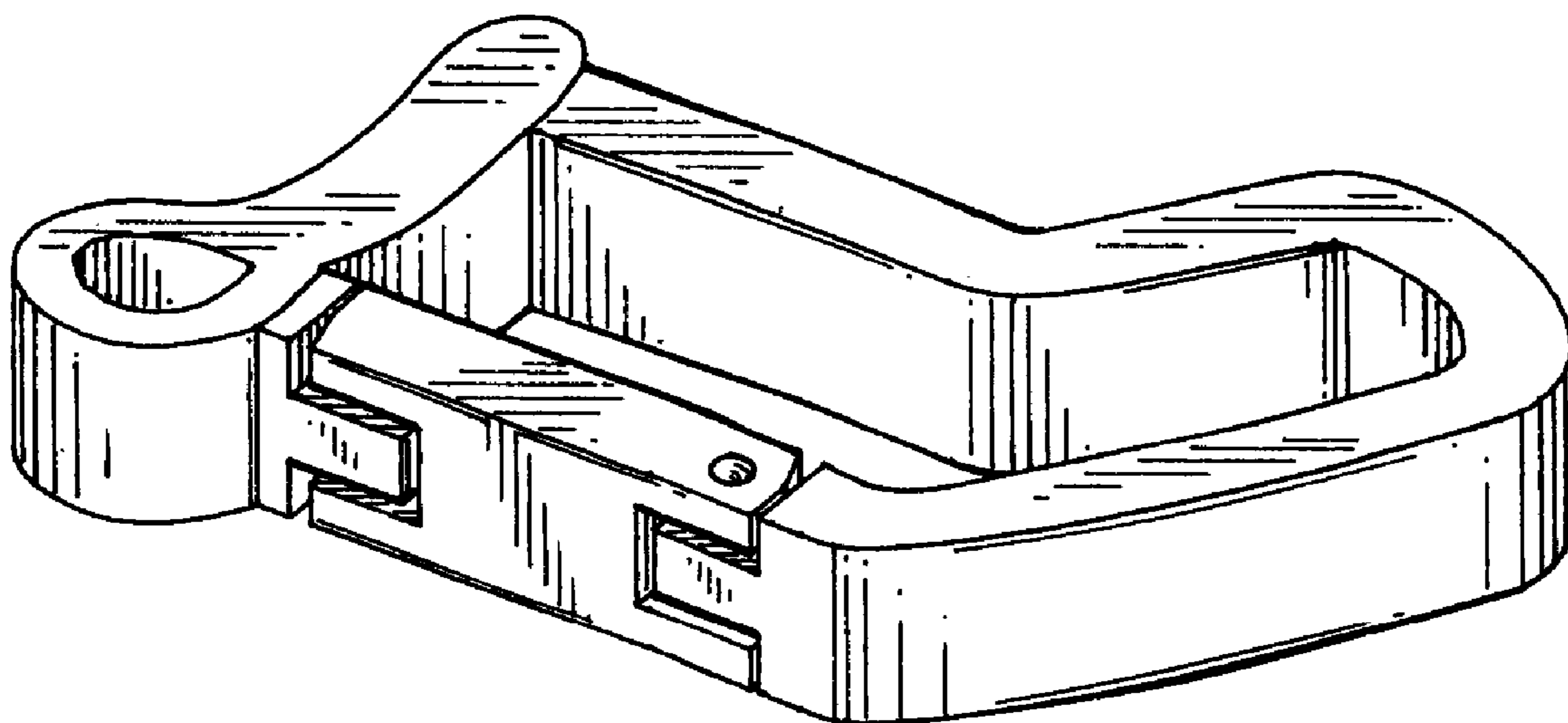




FIG. 4



FIG. 2

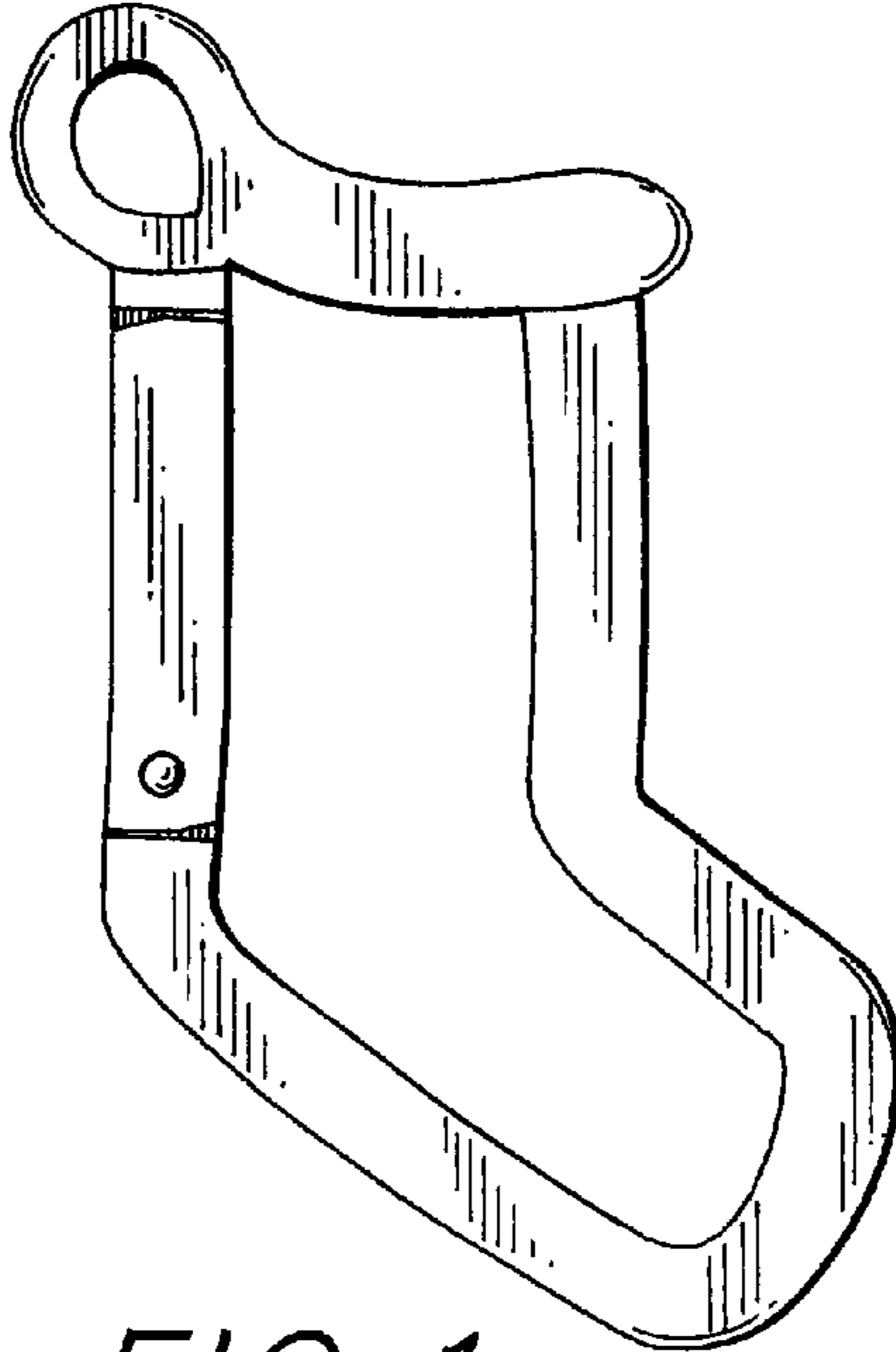


FIG. 1



FIG. 3



FIG. 5

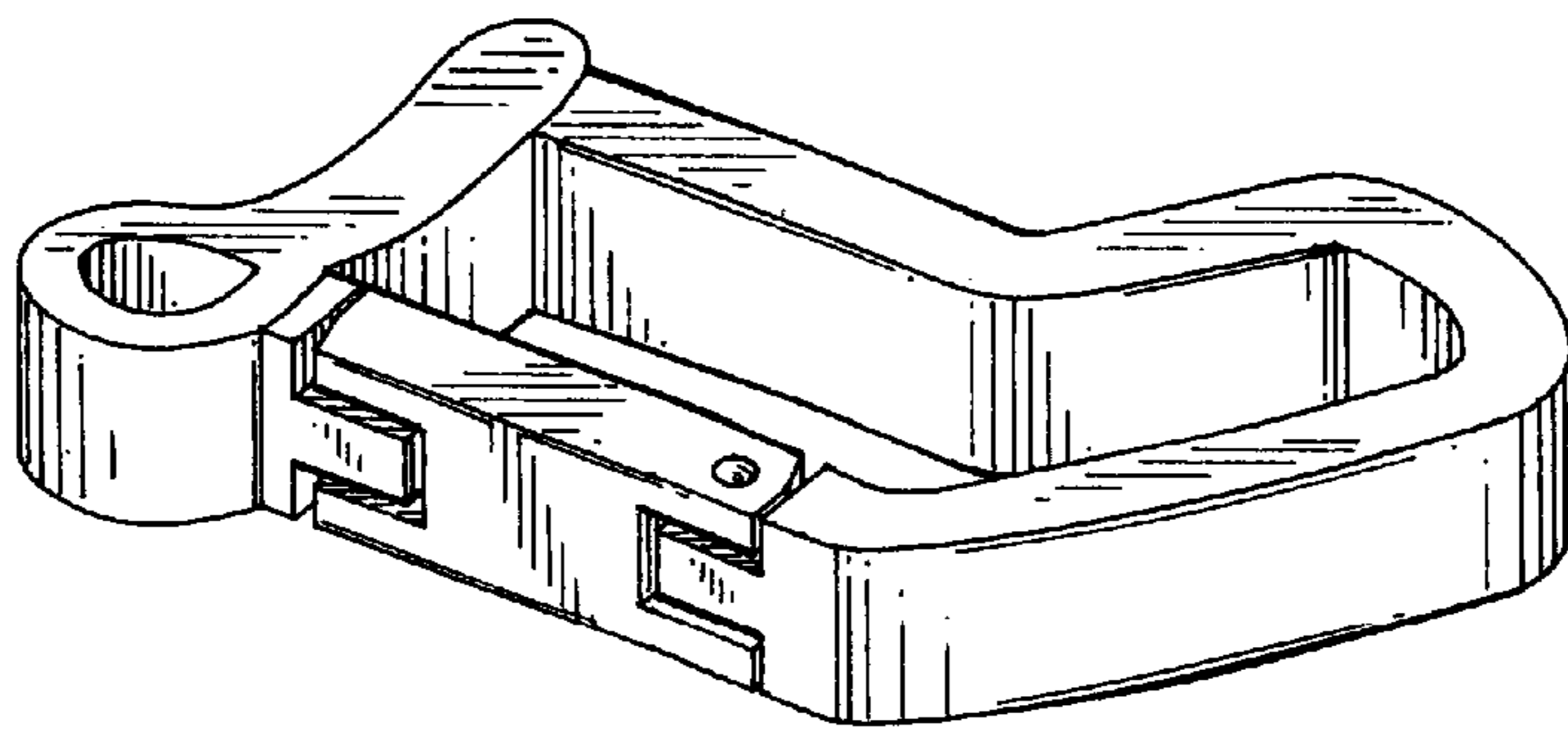


FIG. 6