



US00D475596S

(12) **United States Design Patent**  
**Ozawa et al.**

(10) **Patent No.:** **US D475,596 S**

(45) **Date of Patent:** **\*\* Jun. 10, 2003**

(54) **PORTABLE ELECTRIC DRIVER DRILL**

(75) Inventors: **Takashi Ozawa**, Hitachinaka (JP);  
**Takashi Ueda**, Hitachinaka (JP)

(73) Assignee: **Hitachi Koki Co., Ltd.**, Tokyo (JP)

(\*\*) Term: **14 Years**

(21) Appl. No.: **29/146,428**

(22) Filed: **Aug. 8, 2001**

(30) **Foreign Application Priority Data**

Feb. 9, 2001 (JP) ..... 2001-002911

(51) **LOC (7) Cl.** ..... **08-01**

(52) **U.S. Cl.** ..... **D8/68**

(58) **Field of Search** ..... D8/61, 62, 63,  
D8/64, 65, 66, 67, 68, 69, 70, 107; 29/243.525;  
74/371; 81/52, 54, 55, 57, 57.11, 57.13,  
57.14, 57.42, 57.43, 177.1, 177.4, 177.6,  
177.85, 409, 429, 436, 463, 464, 466, 474,  
900, 901, DIG. 12; 173/13, 15, 47, 48,  
90, 91, 92, 93, 93.5, 93.6, 109, 112, 122,  
164, 169, 170, 171, 176, 213, 216, 217;  
227/51, 81, 138; 279/9.1, 19.3, 62, 137,  
142, 147, 149, 158; 310/50; 320/114; 408/20,  
120, 122, 124, 125, 234, 241 R, 241 S;  
451/344, 354, 357, 358, 359, 456

(56) **References Cited**

**U.S. PATENT DOCUMENTS**

D288,769 S \* 3/1987 Doman ..... D8/68  
D368,214 S \* 3/1996 Zurwelle ..... D8/68  
D377,442 S \* 1/1997 Kikuchi ..... D8/68  
D378,268 S \* 3/1997 Schultz ..... D8/68

D386,662 S \* 11/1997 Tozawa et al. .... D8/68  
D392,530 S \* 3/1998 Lui ..... D8/68  
D396,177 S \* 7/1998 Schultz ..... D8/68  
D409,467 S \* 5/1999 Chung ..... D8/68  
D419,413 S \* 1/2000 Heun ..... D8/68  
D420,877 S \* 2/2000 Schultz ..... D8/68  
6,152,639 A \* 11/2000 Hsu ..... 408/241 R  
D435,414 S \* 12/2000 Etter et al. .... D8/68  
D440,850 S \* 4/2001 Ozawa et al. .... D8/68

\* cited by examiner

*Primary Examiner*—Doris V. Coles

*Assistant Examiner*—T. Chase Nelson

(74) *Attorney, Agent, or Firm*—McDermott, Will & Emery

(57) **CLAIM**

The ornamental design for a portable electric driver drill, as shown and described.

**DESCRIPTION**

FIG. 1 is a front elevational view of the portable electric driver drill;  
FIG. 2 is a rear elevational view thereof;  
FIG. 3 is a left side view thereof;  
FIG. 4 is a right side view thereof;  
FIG. 5 is a top plan view thereof;  
FIG. 6 is a bottom plan view thereof;  
FIG. 7 is a top and left front perspective view thereof;  
FIG. 8 is a top and right front perspective view thereof; and,  
FIG. 9 is a top and right rear perspective view thereof showing a body portion thereof in which a drill bit is detachably attached, a hook being shown to be attached to a rear side of the portable electric driver drill, while the hook can also be attached to a front side thereof as shown in FIGS. 1 to 8.

**1 Claim, 9 Drawing Sheets**

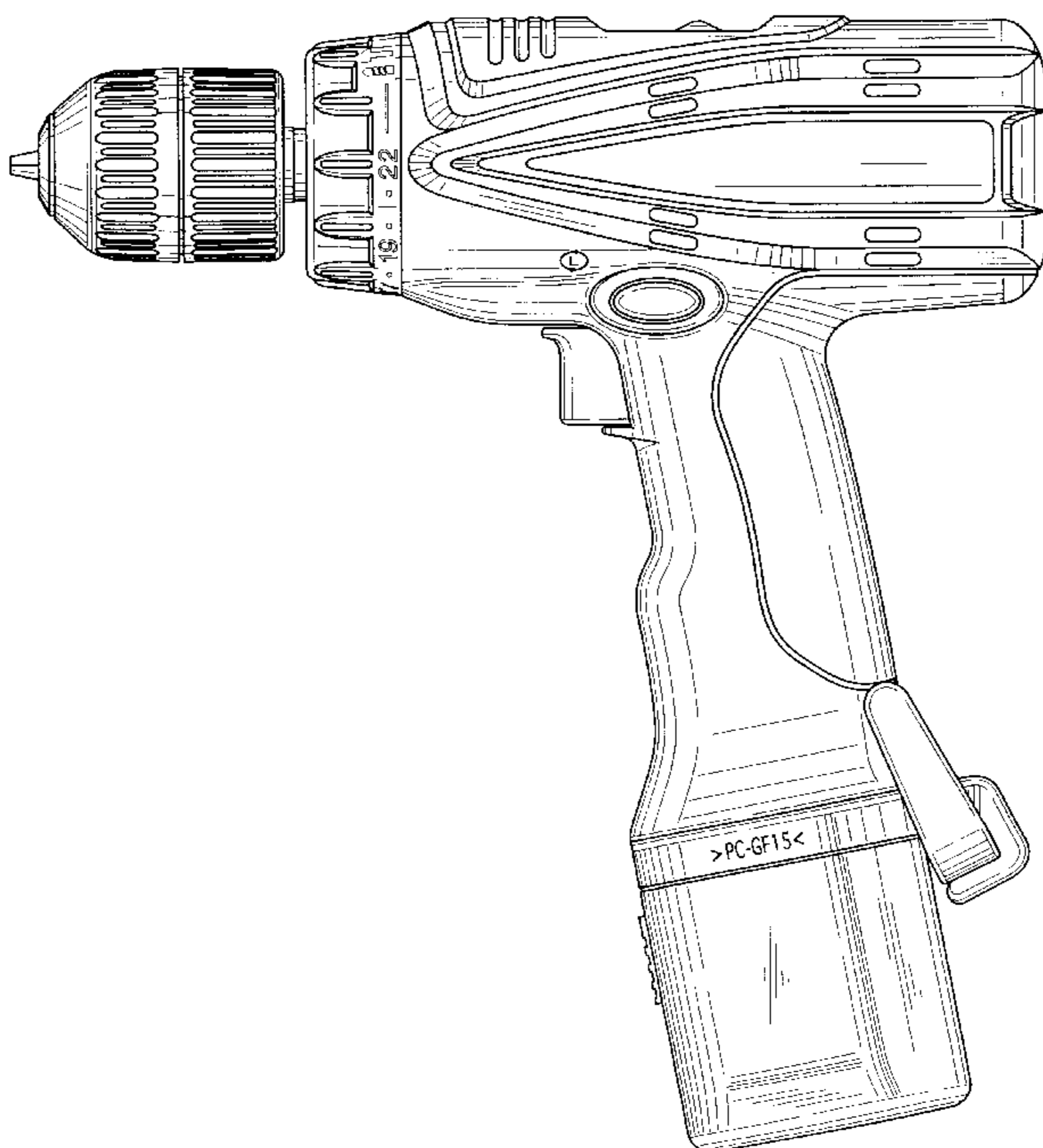


FIG. 1

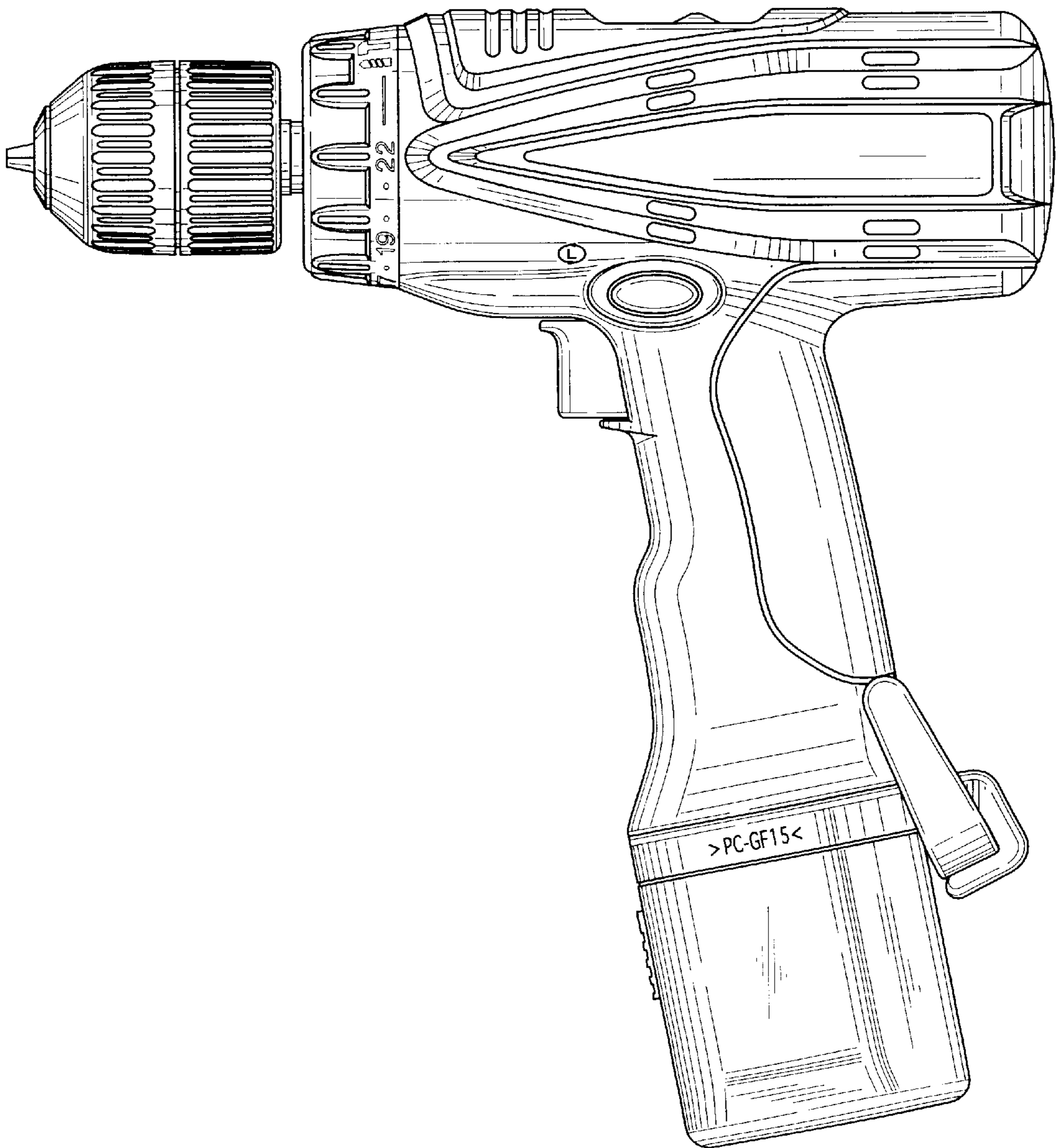
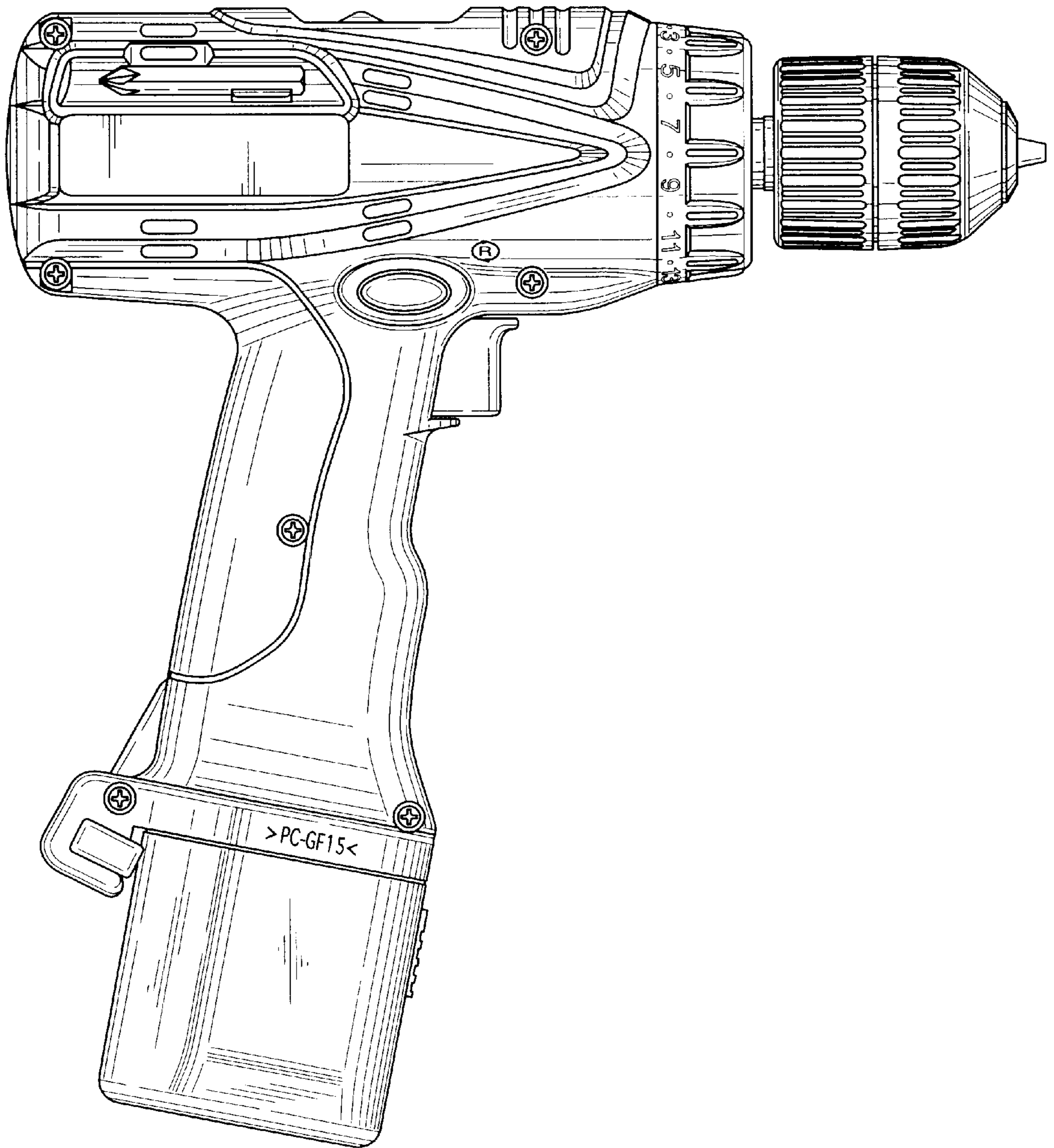
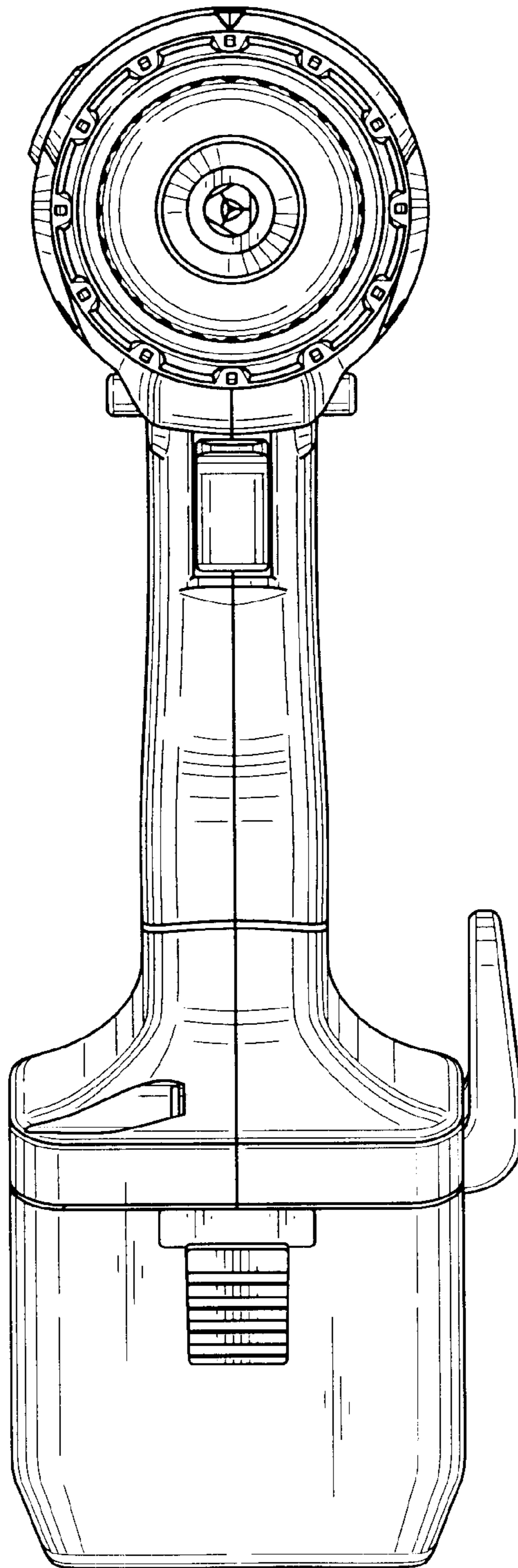


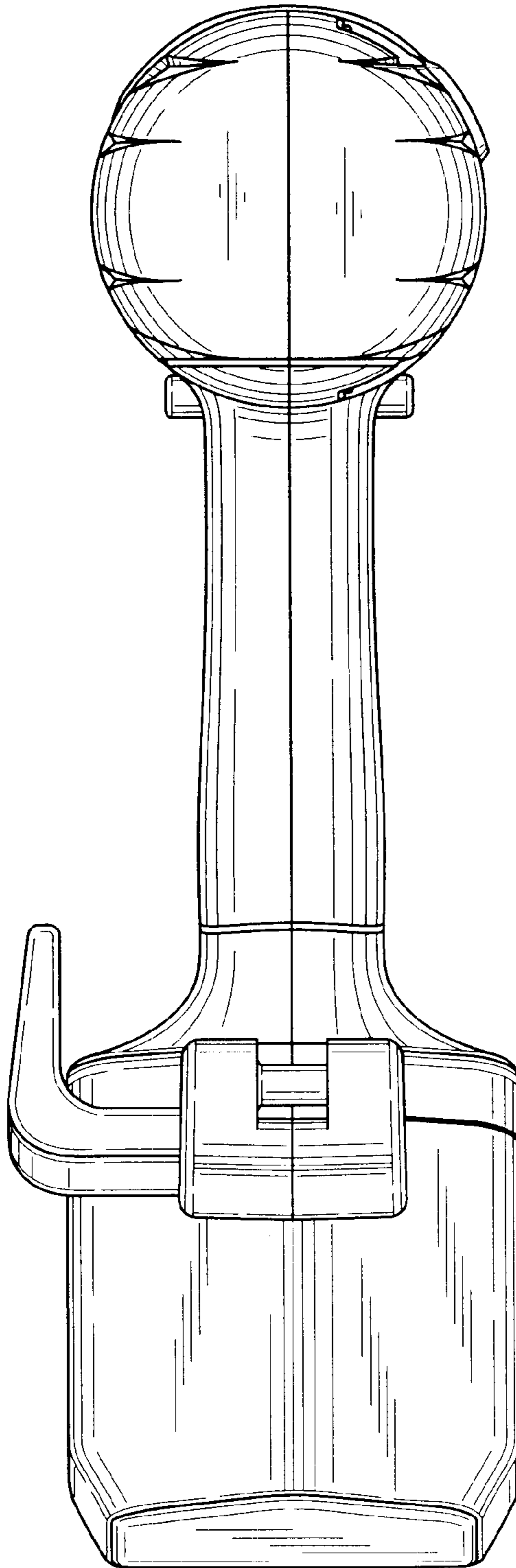
FIG. 2



*FIG. 3*



*FIG. 4*



*FIG. 5*

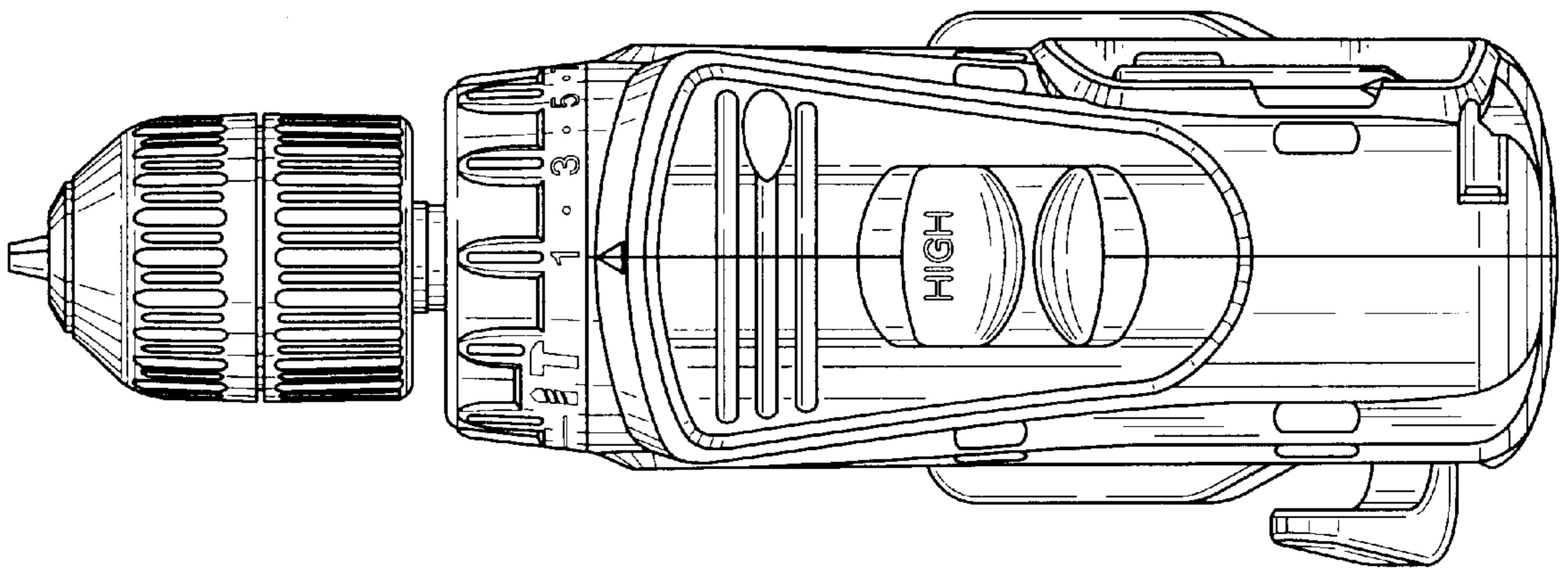
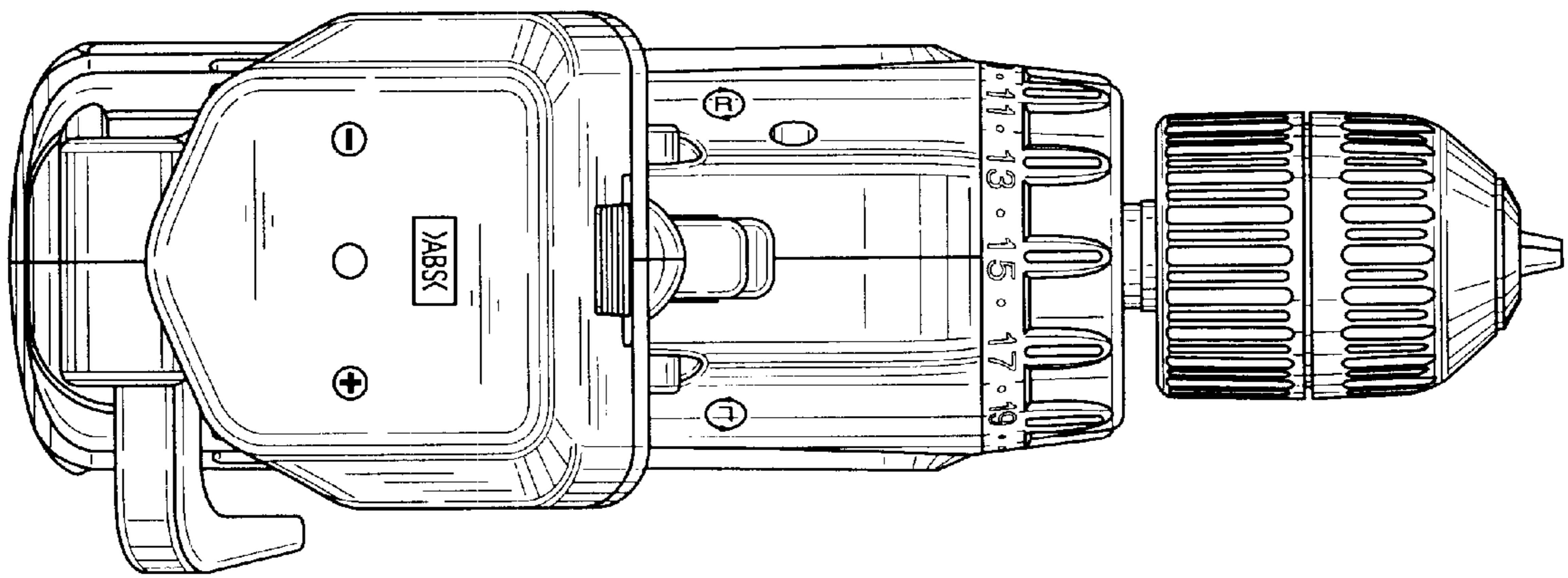
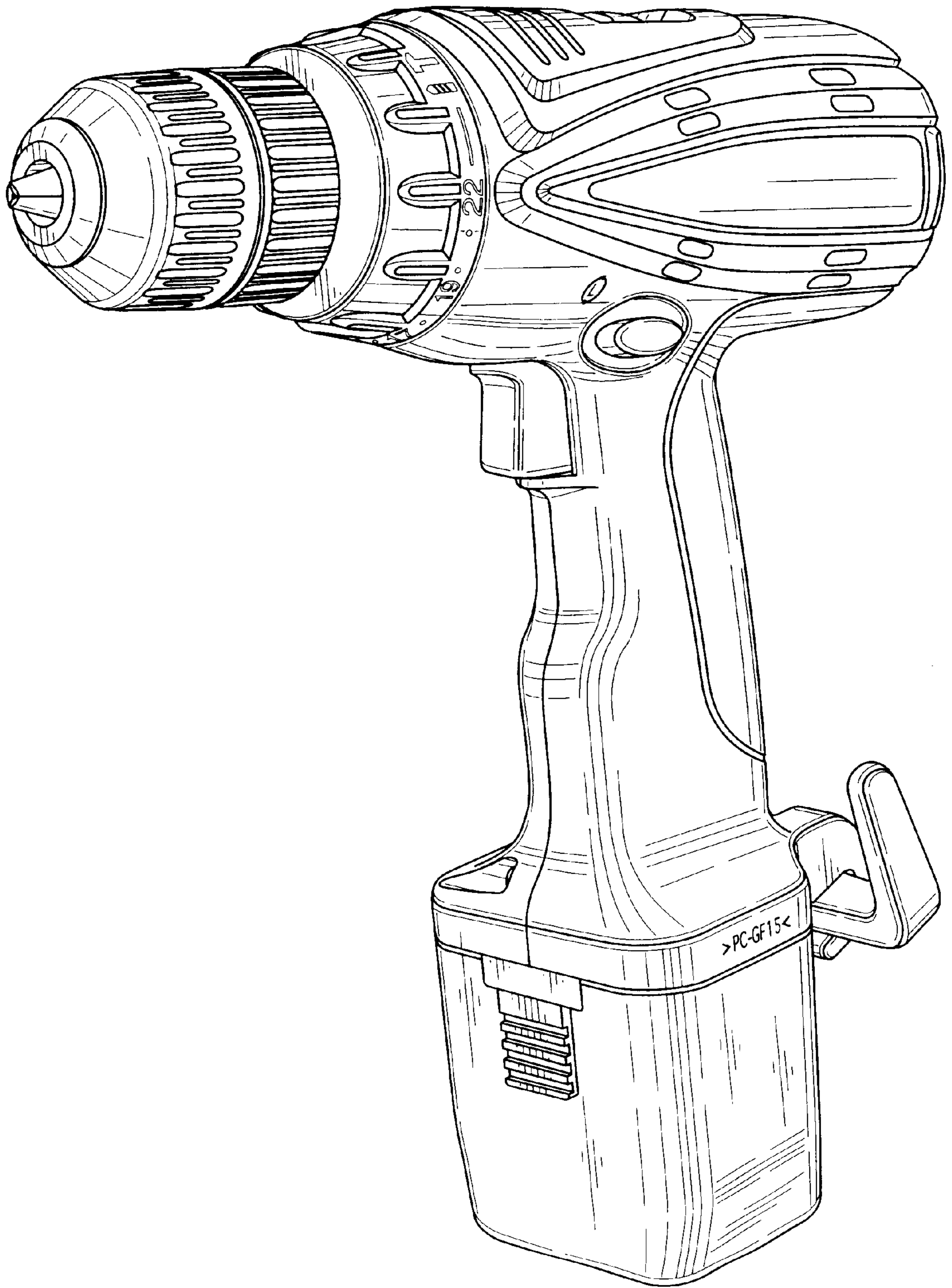


FIG. 6

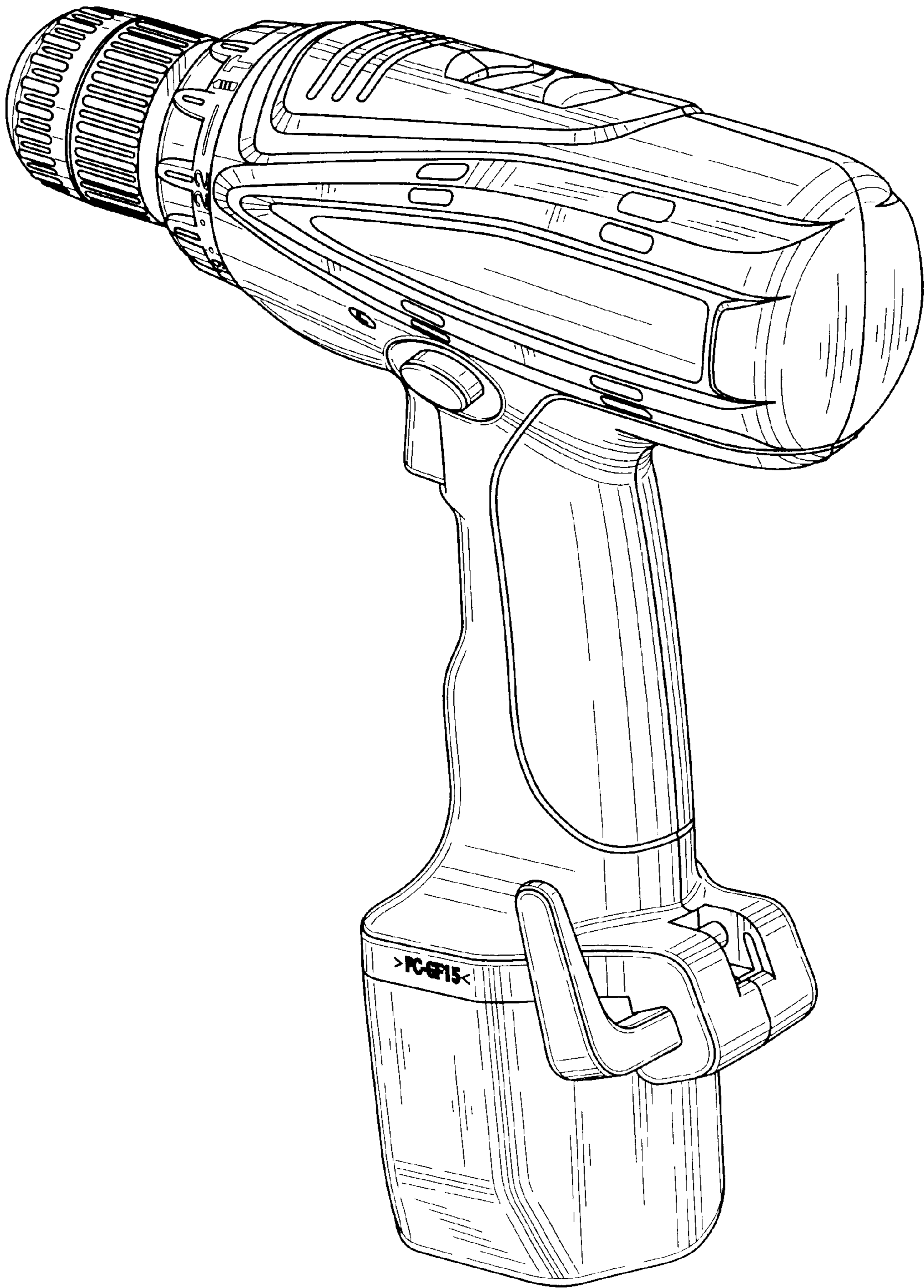


*FIG. 7*





*FIG. 8*



*FIG. 9*

