



US00D475594S

(12) **United States Design Patent**  
**Bian**

(10) **Patent No.:** **US D475,594 S**

(45) **Date of Patent:** **\*\* Jun. 10, 2003**

(54) **PLANER**

(75) **Inventor:** **Xiaoxian Bian**, Suzhou (CN)

(73) **Assignee:** **Positec Power Tools (Suzhou) Co., Ltd.** (CN)

(\*\*) **Term:** **14 Years**

(21) **Appl. No.:** **29/170,706**

(22) **Filed:** **Nov. 12, 2002**

(30) **Foreign Application Priority Data**

May 13, 2002 (CN) ..... 02 3 18428

(51) **LOC (7) Cl.** ..... **08-03**

(52) **U.S. Cl.** ..... **D8/62**

(58) **Field of Search** ..... D8/61, 62, 67,  
D8/69, 90; 30/475, 476, 477, 481, 482,  
483; 144/114.1, 115, 117.4, 126, 130; 409/175,  
178

(56) **References Cited**

**U.S. PATENT DOCUMENTS**

4,280,542 A \* 7/1981 Alessio et al. .... 144/117.4  
4,363,343 A \* 12/1982 Cuneo ..... 30/475  
D282,236 S \* 1/1986 Shohoji et al. .... D8/61

4,584,772 A \* 4/1986 Bergler ..... 30/475  
4,601,104 A \* 7/1986 Zaiser et al. .... 30/475  
D323,098 S \* 1/1992 Sakamoto et al. .... D8/62  
5,094,000 A \* 3/1992 Becht et al. .... 30/475  
5,383,275 A \* 1/1995 Hild et al. .... 30/475  
5,815,934 A \* 10/1998 Eichberger et al. .... 30/475  
D413,779 S \* 9/1999 Hayakawa et al. .... D8/62

\* cited by examiner

*Primary Examiner*—Doris V. Coles

*Assistant Examiner*—Elizabeth Albert

(74) *Attorney, Agent, or Firm*—Procopio, Cory, Hargreaves & Savitch, LLP

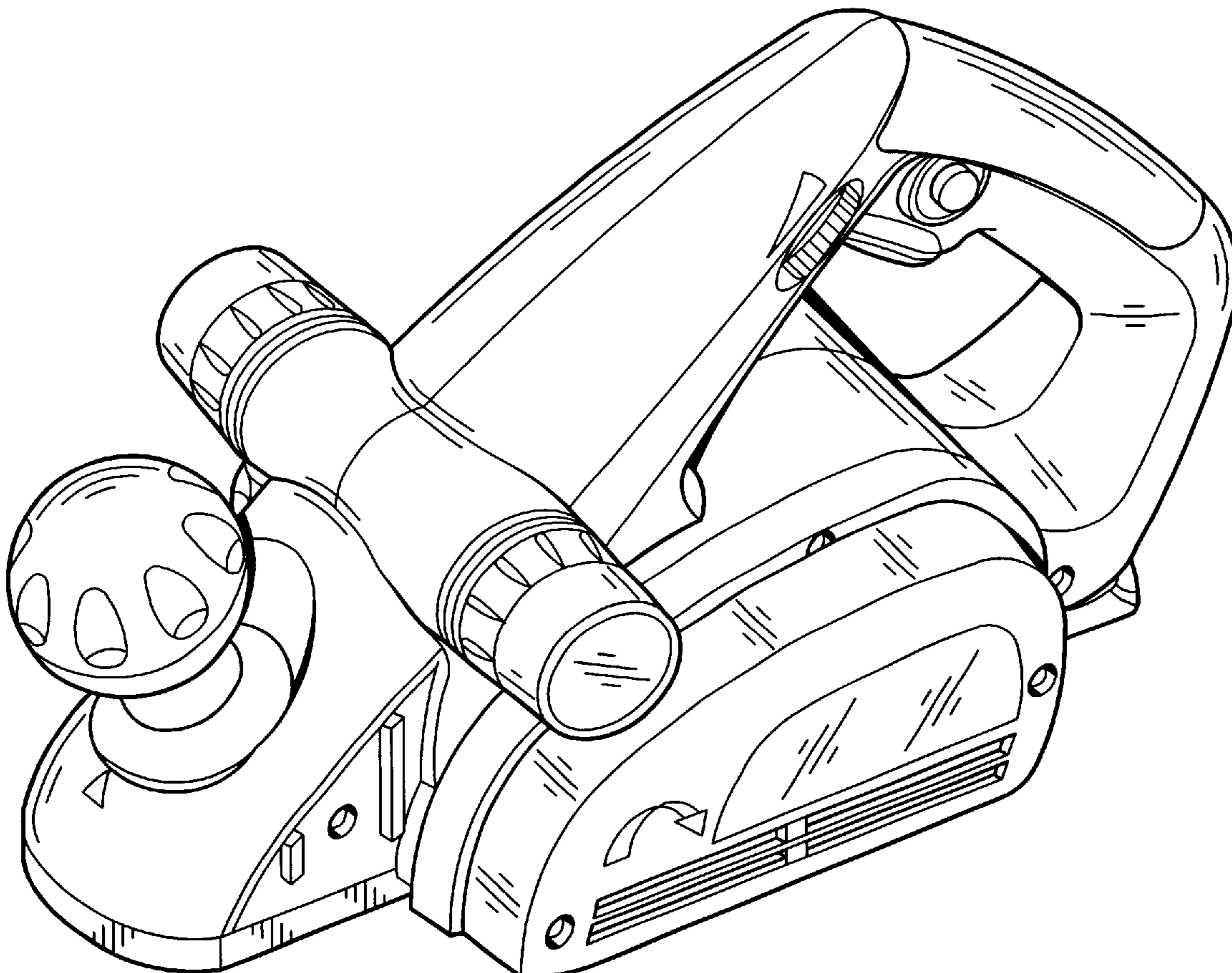
(57) **CLAIM**

The ornamental design for a planer, as shown and described.

**DESCRIPTION**

FIG. 1 is a front elevational view of the planer;  
FIG. 2 is a rear elevational view thereof;  
FIG. 3 is a left side elevational view thereof;  
FIG. 4 is a right side elevational view thereof;  
FIG. 5 is a top plan view thereof;  
FIG. 6 is a bottom plan view thereof; and,  
FIG. 7 is a perspective view thereof.

**1 Claim, 4 Drawing Sheets**



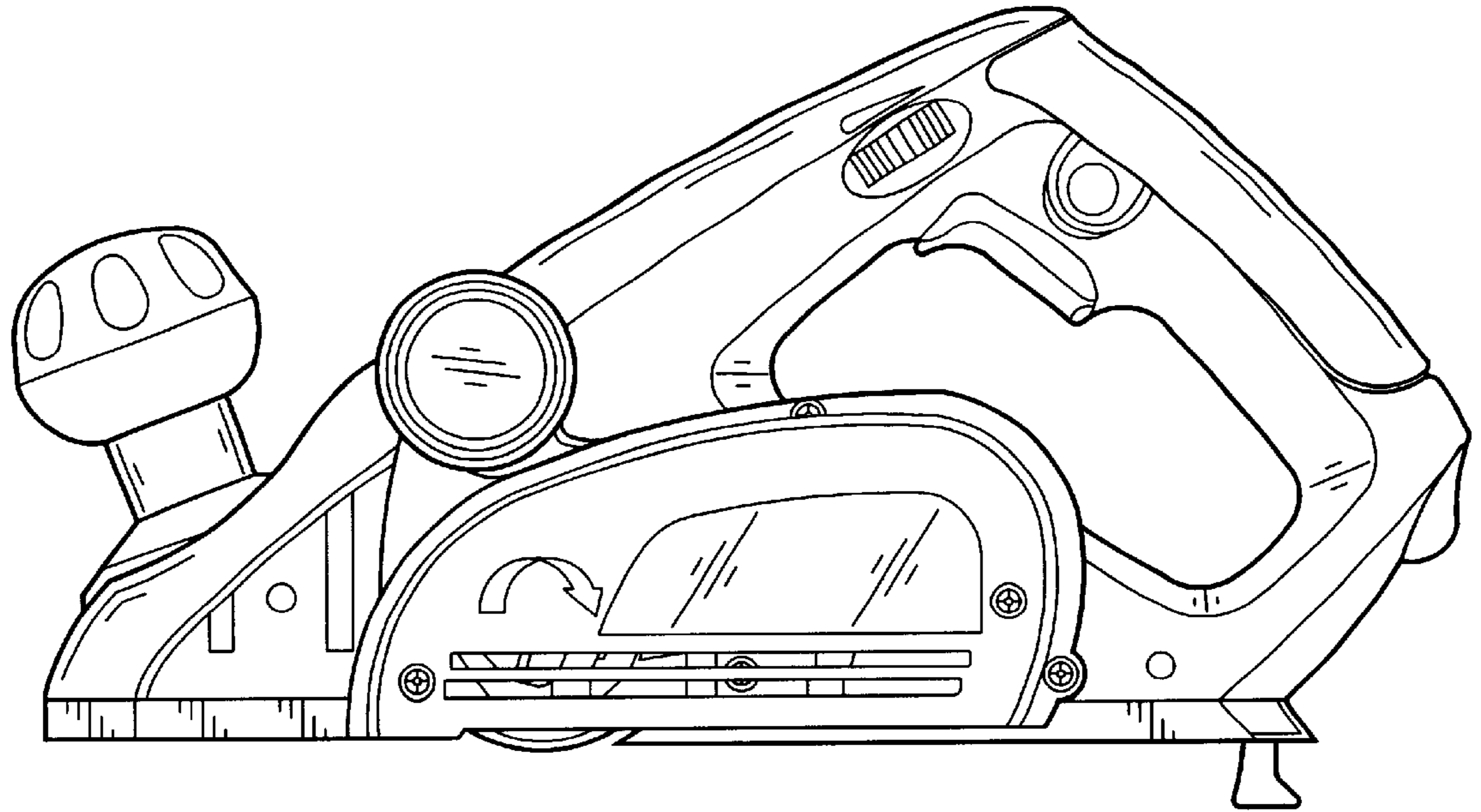


FIG. 1

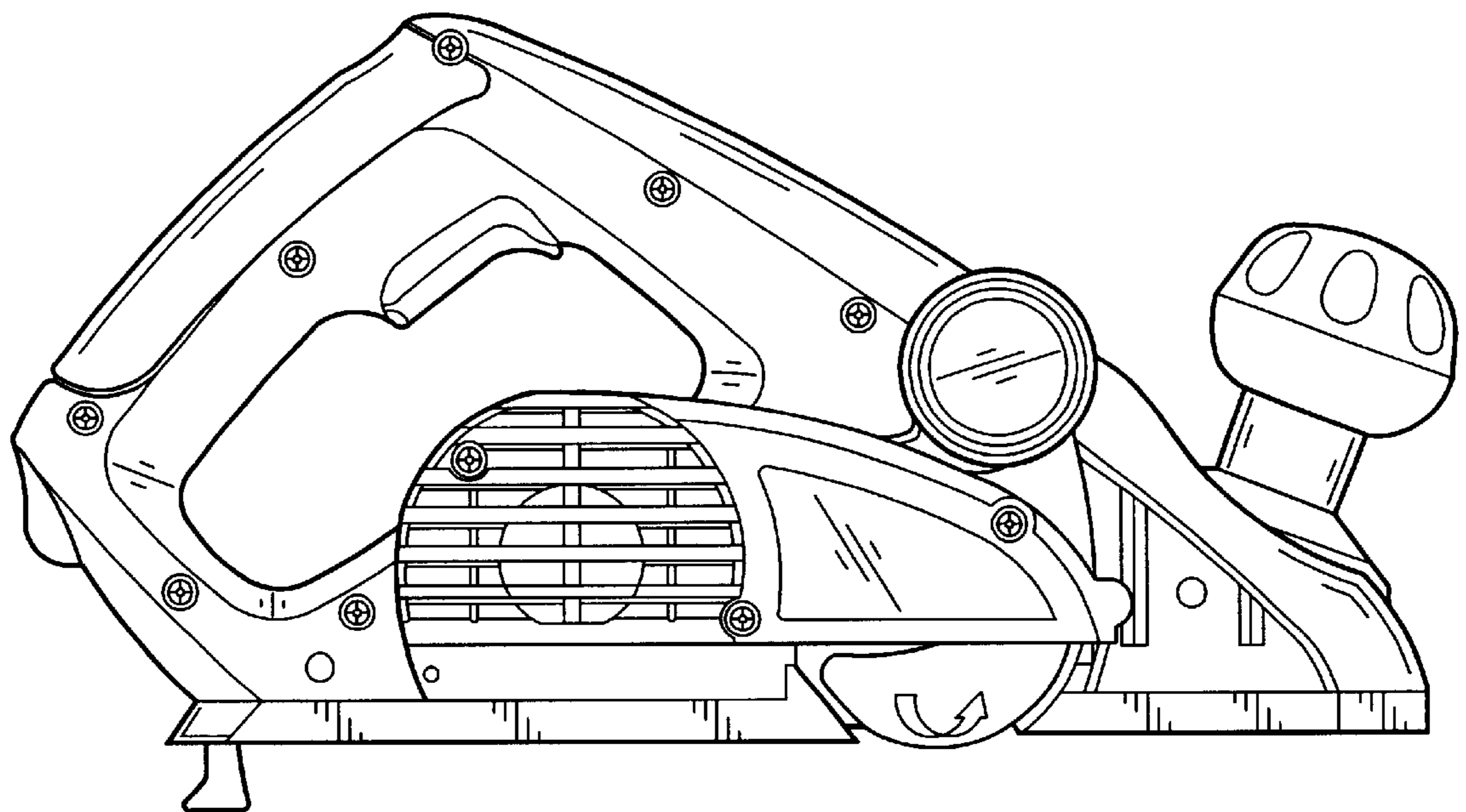


FIG. 2

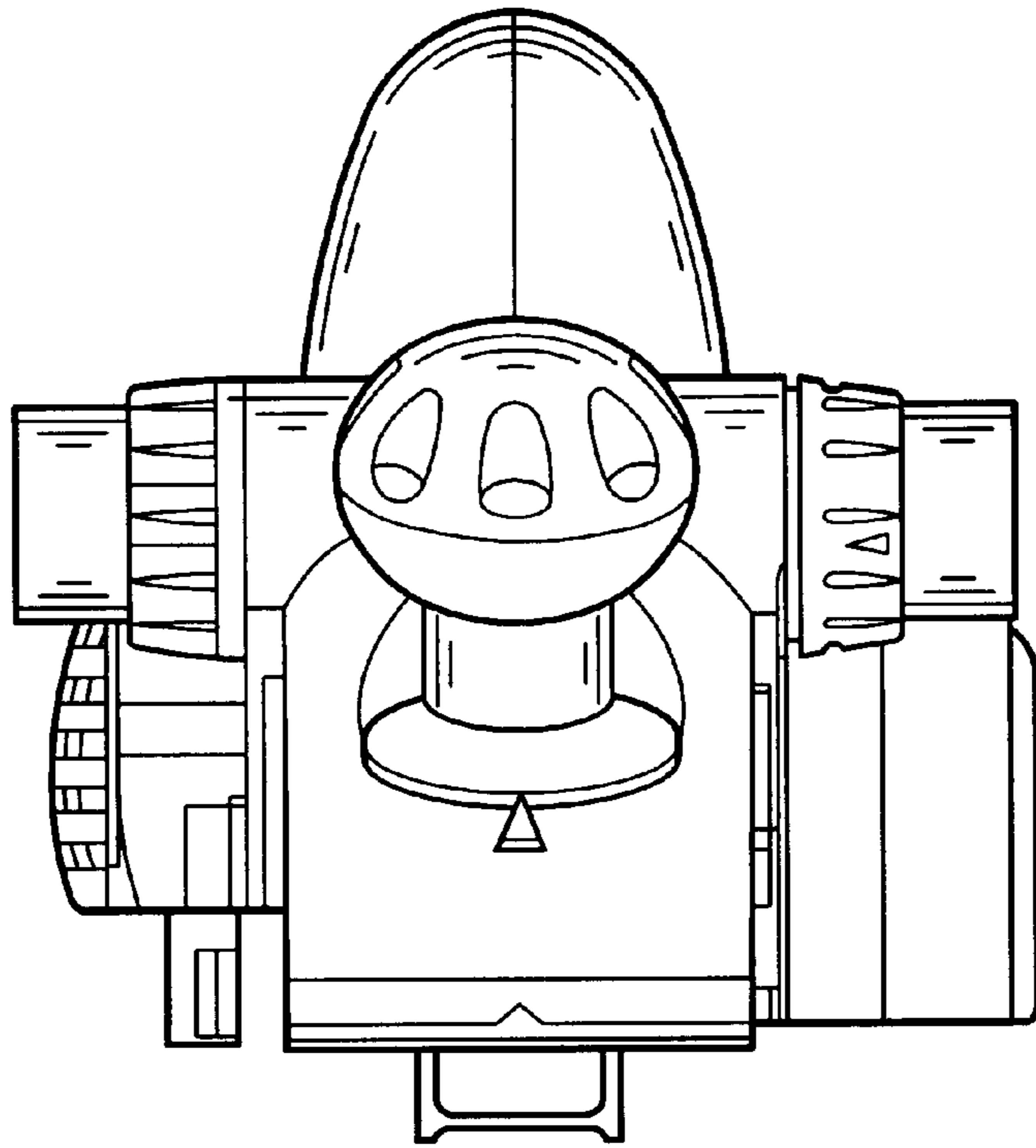


FIG. 3

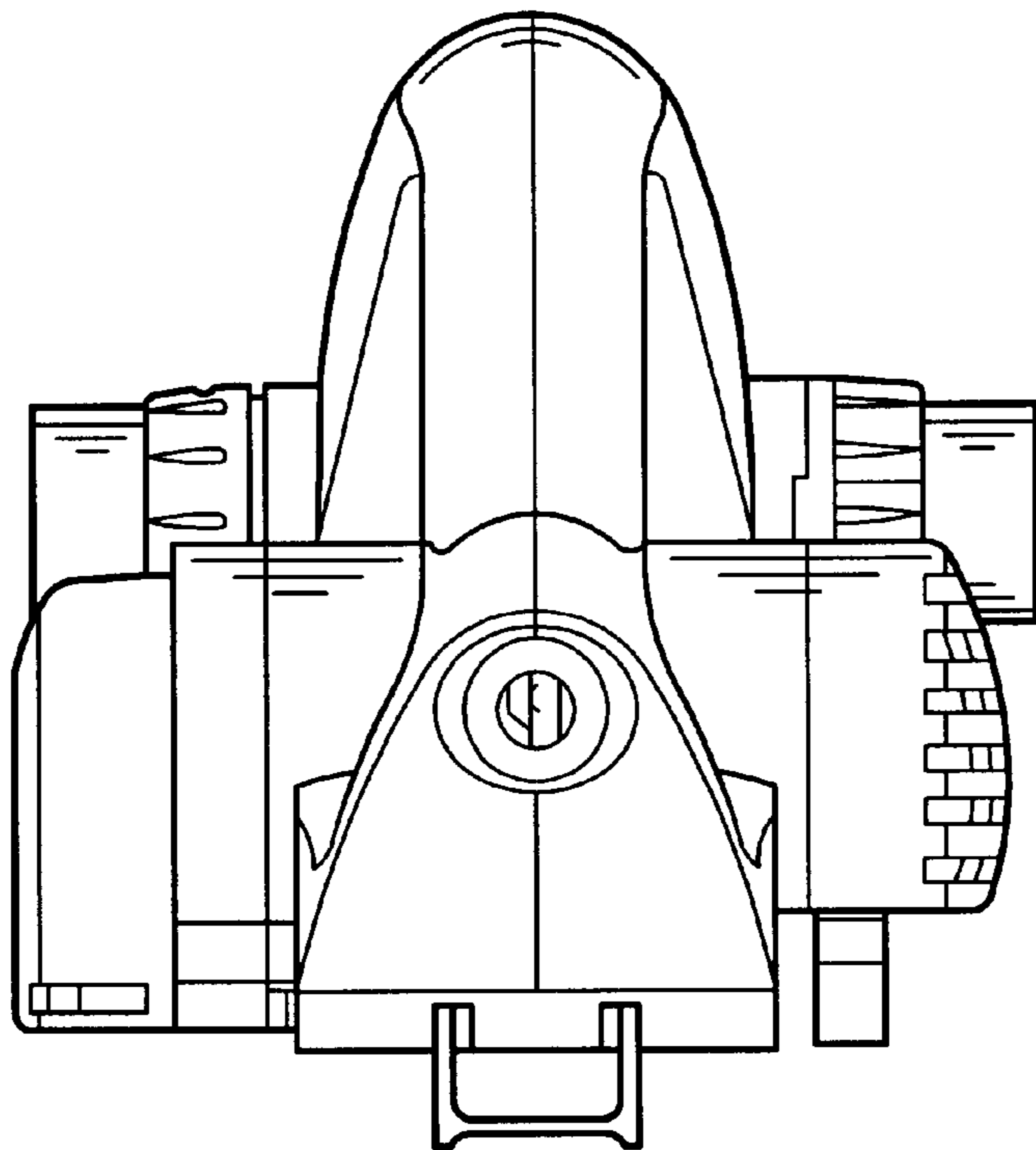


FIG. 4

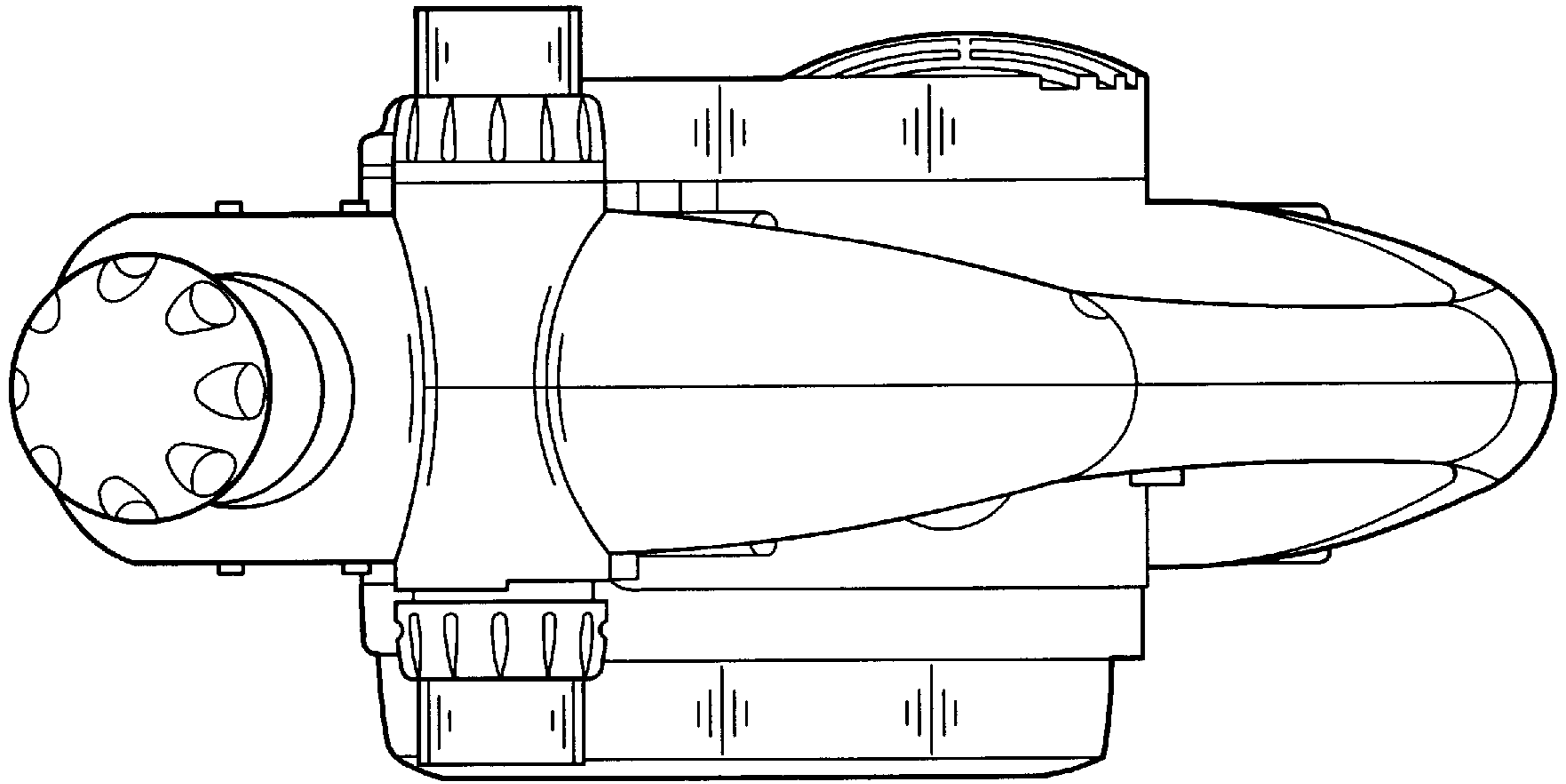


FIG. 5

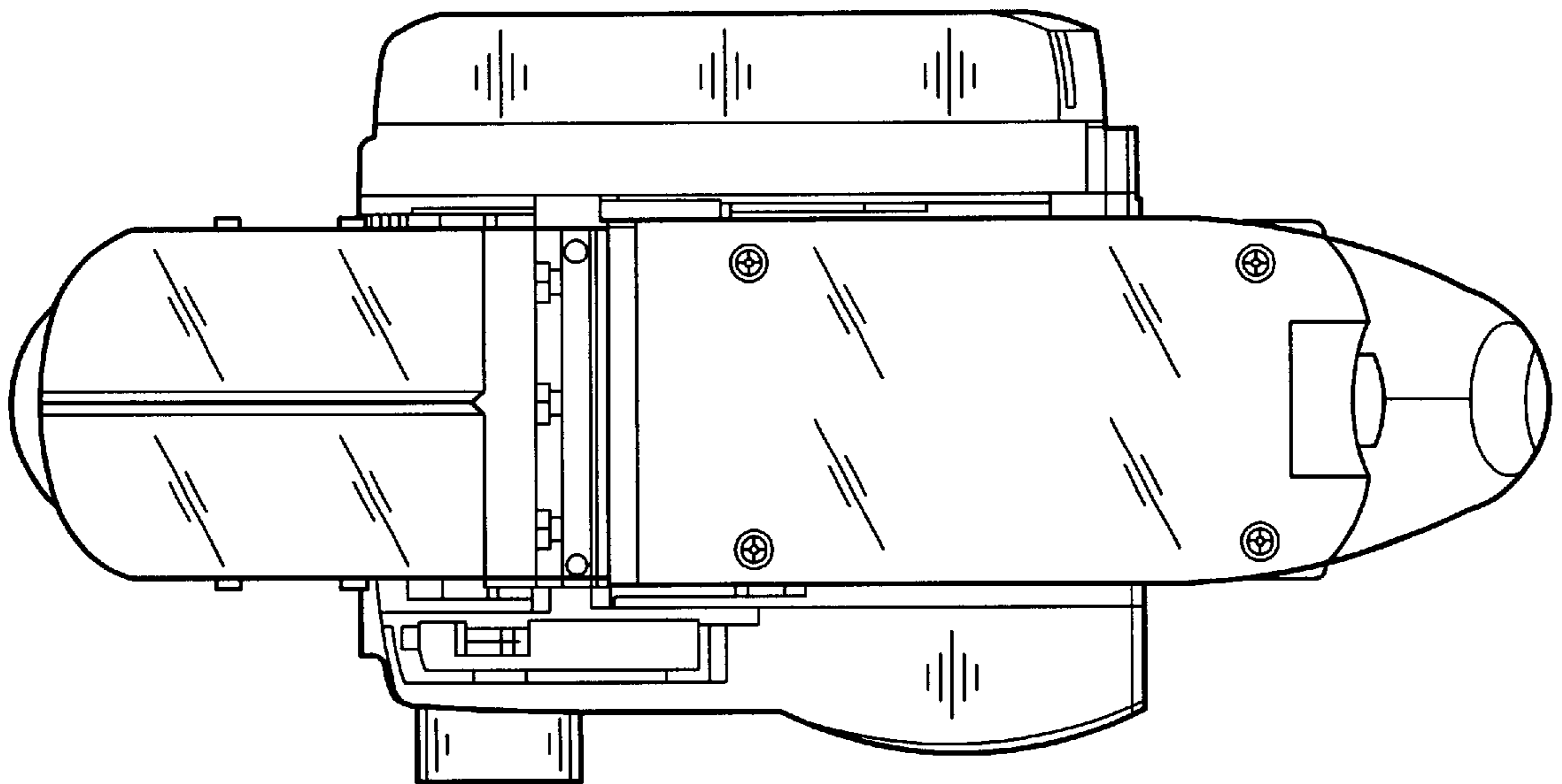


FIG. 6

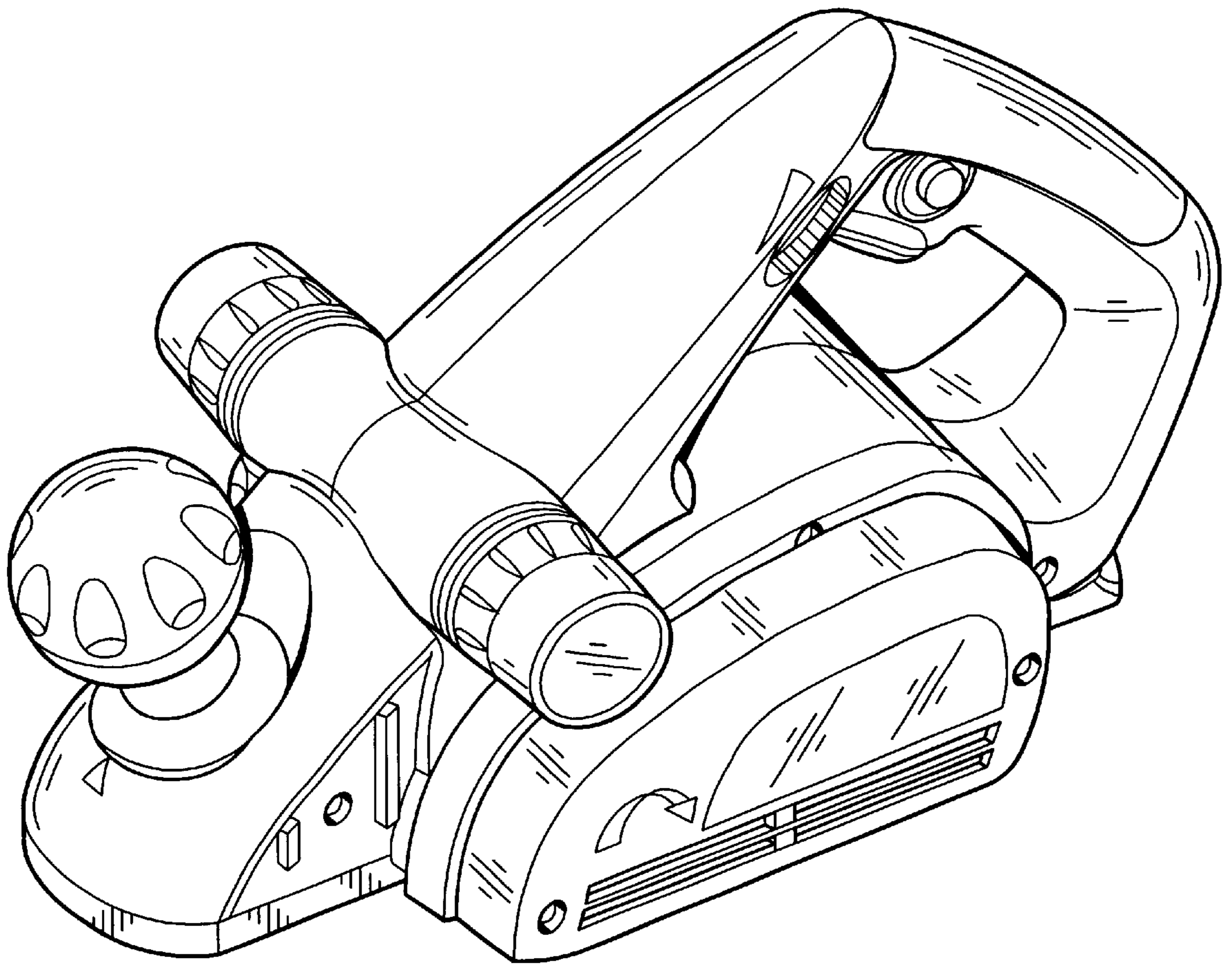


FIG. 7