



US00D475588S

(12) **United States Design Patent**  
**Daniels**

(10) **Patent No.:** **US D475,588 S**

(45) **Date of Patent:** **\*\* Jun. 10, 2003**

(54) **HAND-HELD YARD DRILL/GROOVER FOR PLANTING GRASS SEED**

(76) **Inventor:** **Zaven S. Daniels**, 20 Homer Rd.,  
Arlington, MA (US) 02476

(\*\*) **Term:** **14 Years**

(21) **Appl. No.:** **29/171,908**

(22) **Filed:** **Dec. 3, 2002**

(51) **LOC (7) Cl.** ..... **08-01**

(52) **U.S. Cl.** ..... **D8/13**

(58) **Field of Search** ..... D8/1, 13, 6; 56/400.01,  
56/400.04-400.06, 400.17-400.19, 400.21

(56) **References Cited**

**U.S. PATENT DOCUMENTS**

52,217	A	1/1866	Skinner	
59,012	A	10/1866	Herman	
1,249,213	A	* 12/1917	Senn	172/380
1,414,087	A	4/1922	Kenny	
1,956,263	A	4/1934	Anderson	
2,697,905	A	* 12/1954	Moriarty	56/400.01
3,108,426	A	* 10/1963	Rugg	56/400.01
4,092,802	A	6/1978	Oyama	
4,145,980	A	3/1979	Boots	
4,565,398	A	1/1986	Poulin	
D282,621	S	2/1986	Nuorivaara	
4,821,500	A	4/1989	MacIvergan	
D310,619	S	* 9/1990	Schade	D8/13
5,079,905	A	* 1/1992	Bergstrom	56/8

5,179,825	A	* 1/1993	Griffiths et al.	56/400.05
5,230,385	A	* 7/1993	Dinatale	172/378
5,351,635	A	10/1994	Hulicsko	
5,452,769	A	9/1995	Markert	
5,820,183	A	* 10/1998	Marcus	294/57
D437,533	S	* 2/2001	South	D8/13

\* cited by examiner

*Primary Examiner*—Pamela Burgess

(74) *Attorney, Agent, or Firm*—Donald R. Schoonover

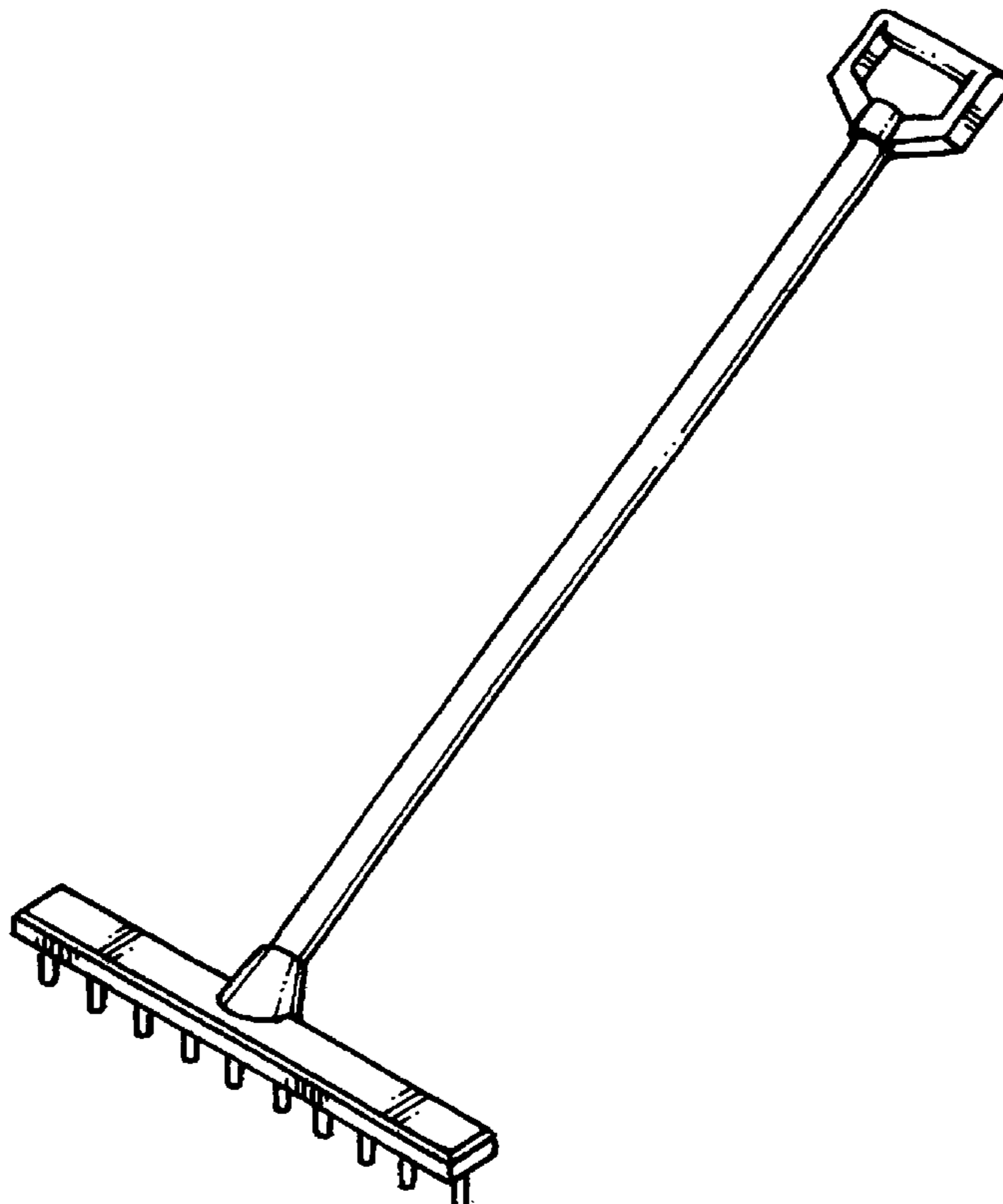
(57) **CLAIM**

I claim the ornamental design for a hand-held yard drill/groover for planting grass seed, as shown and described.

**DESCRIPTION**

FIG. 1 is a perspective view of a hand-held yard drill/groover for planting grass seed showing my new design; FIG. 2 is a front elevational view thereof; FIG. 3 is a rear elevational view thereof; FIG. 4 is a left side elevational view thereof, the right side elevational view being a mirror image thereof; FIG. 5 is a top plan view thereof; FIG. 6 is a bottom plan view thereof; and, FIG. 7 is an enlarged and fragmentary view showing the hand-held yard drill/groover for planting grass seed in use; the broken lines showing environmental structure are for illustrative purposes only and form no part of the claimed design.

**1 Claim, 4 Drawing Sheets**



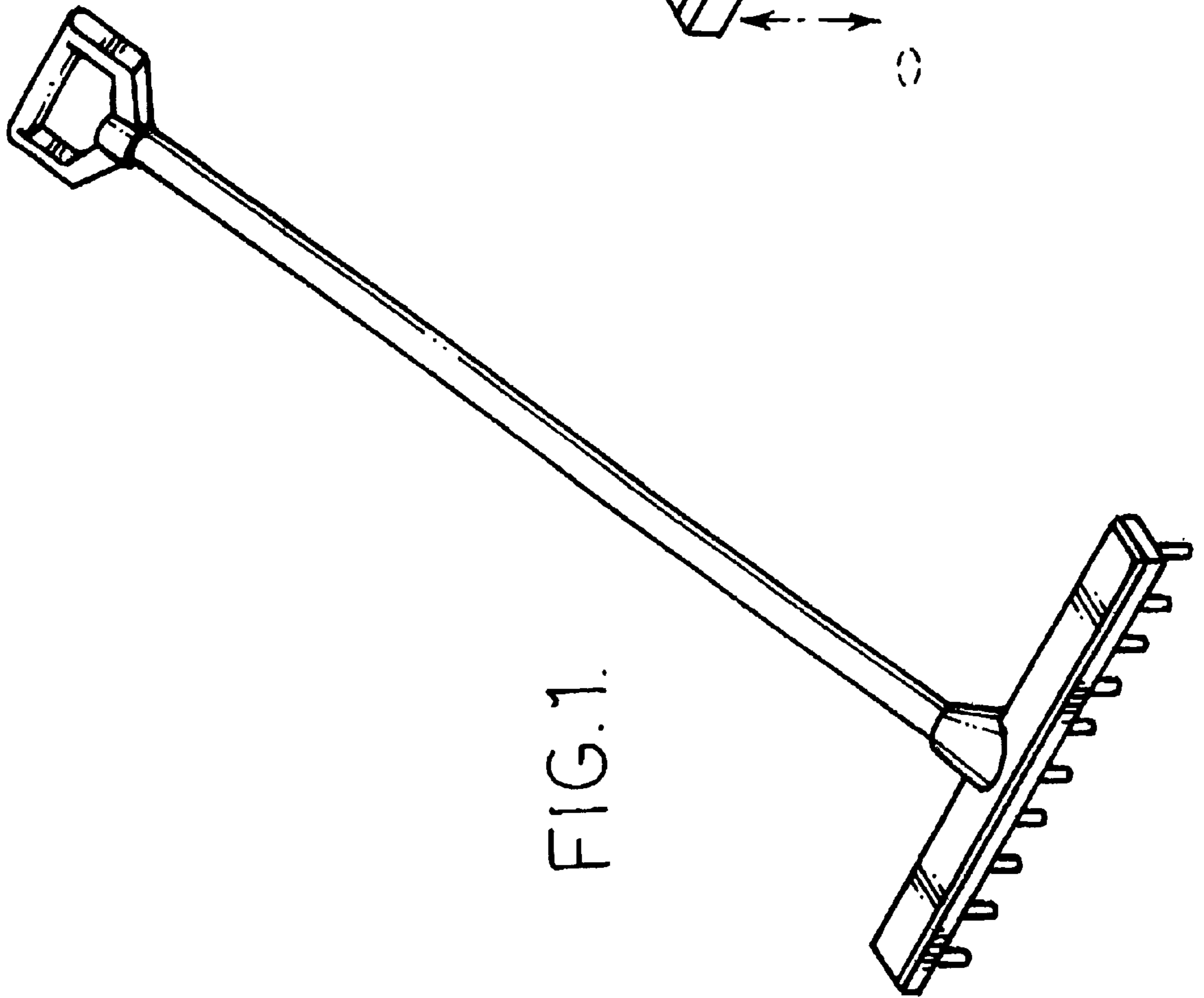


FIG. 1.

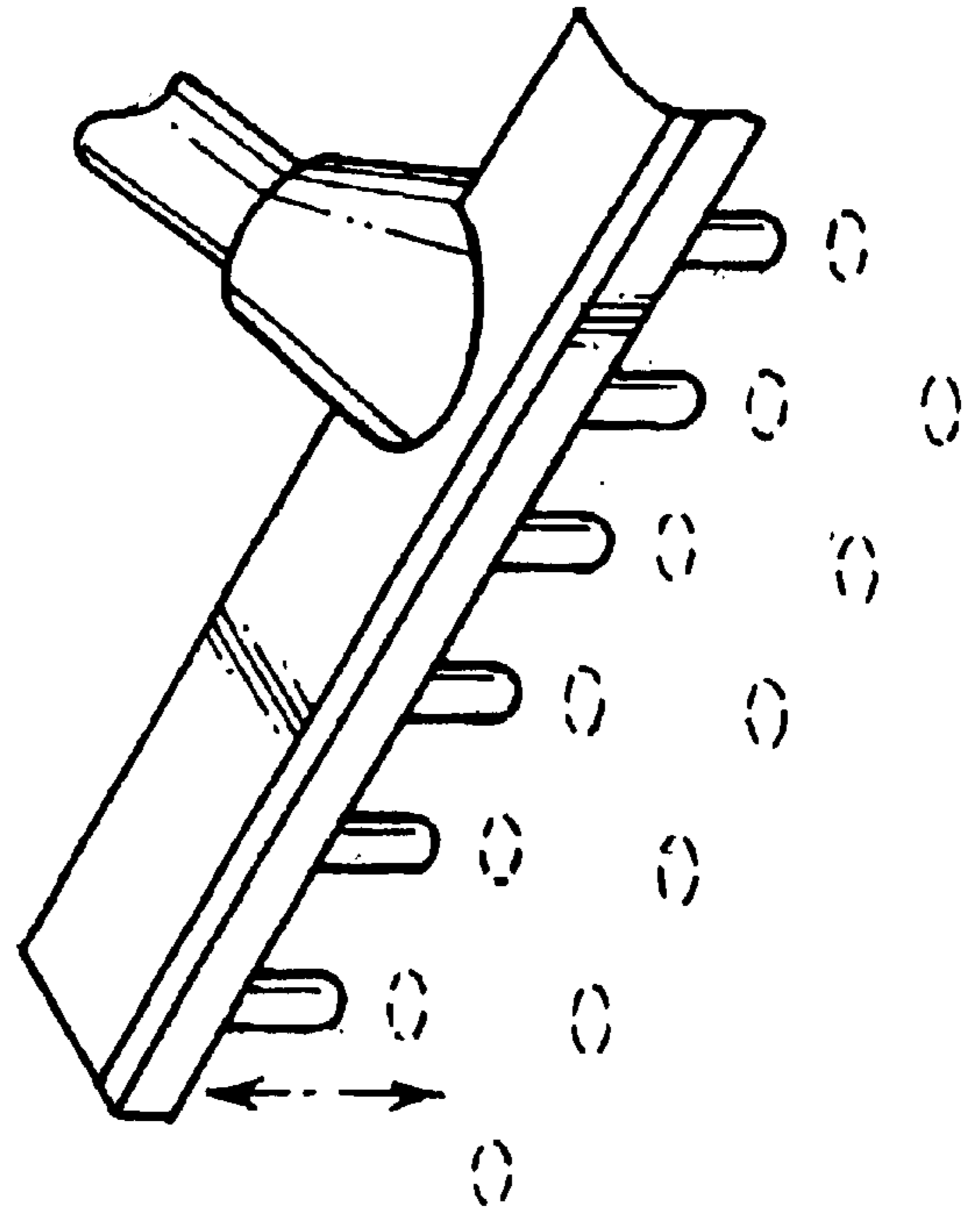


FIG. 7.

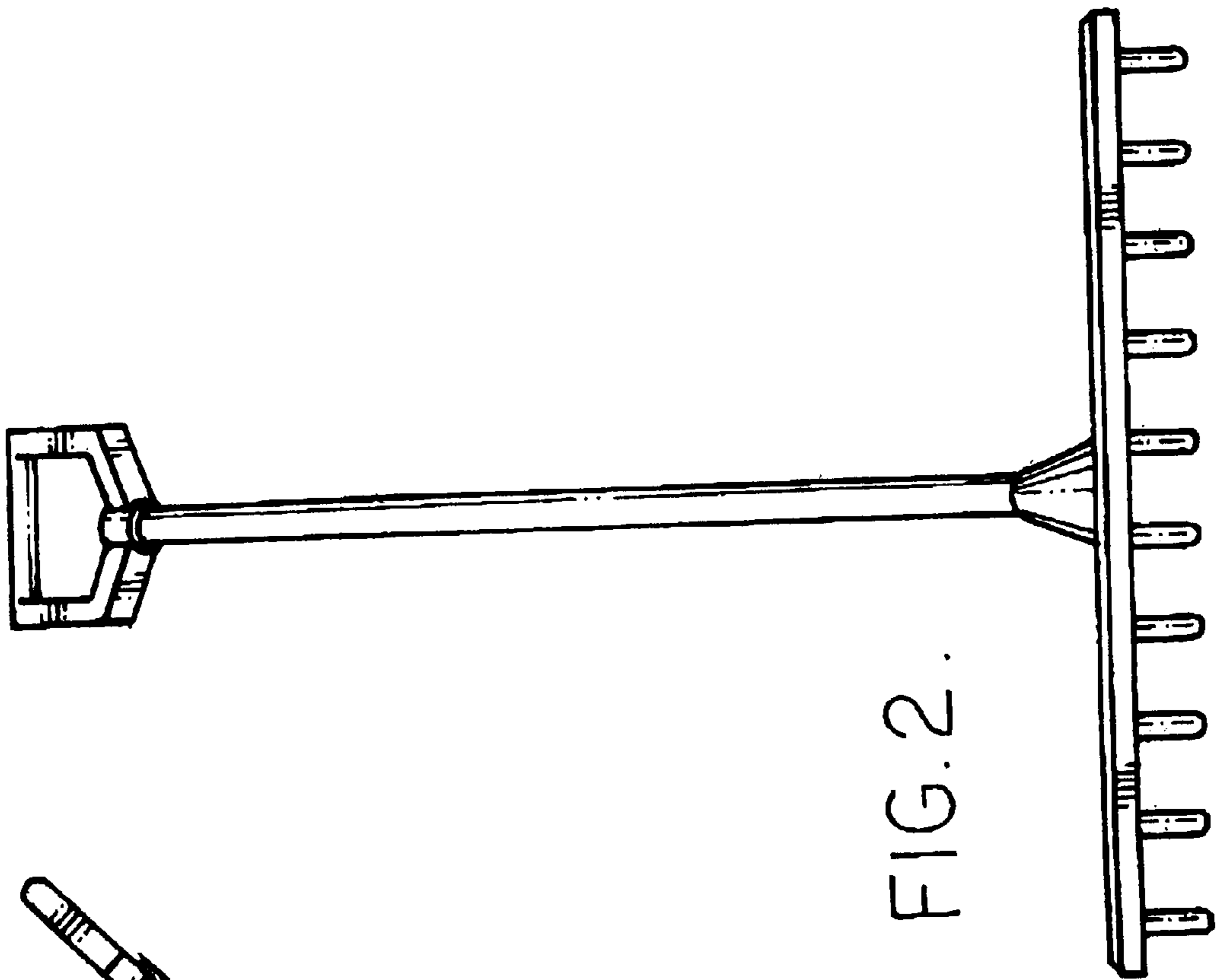


FIG. 2.

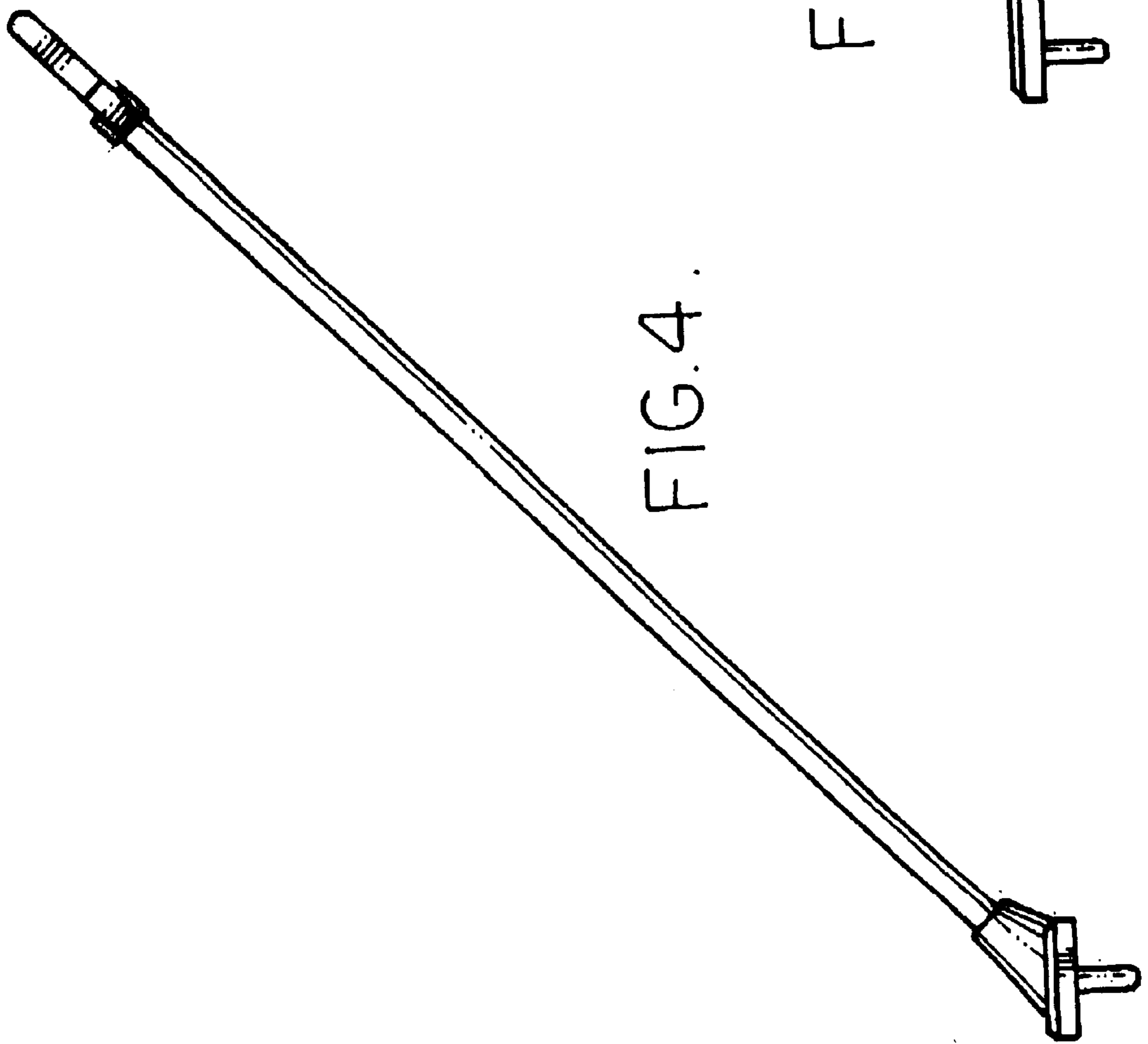


FIG. 4.

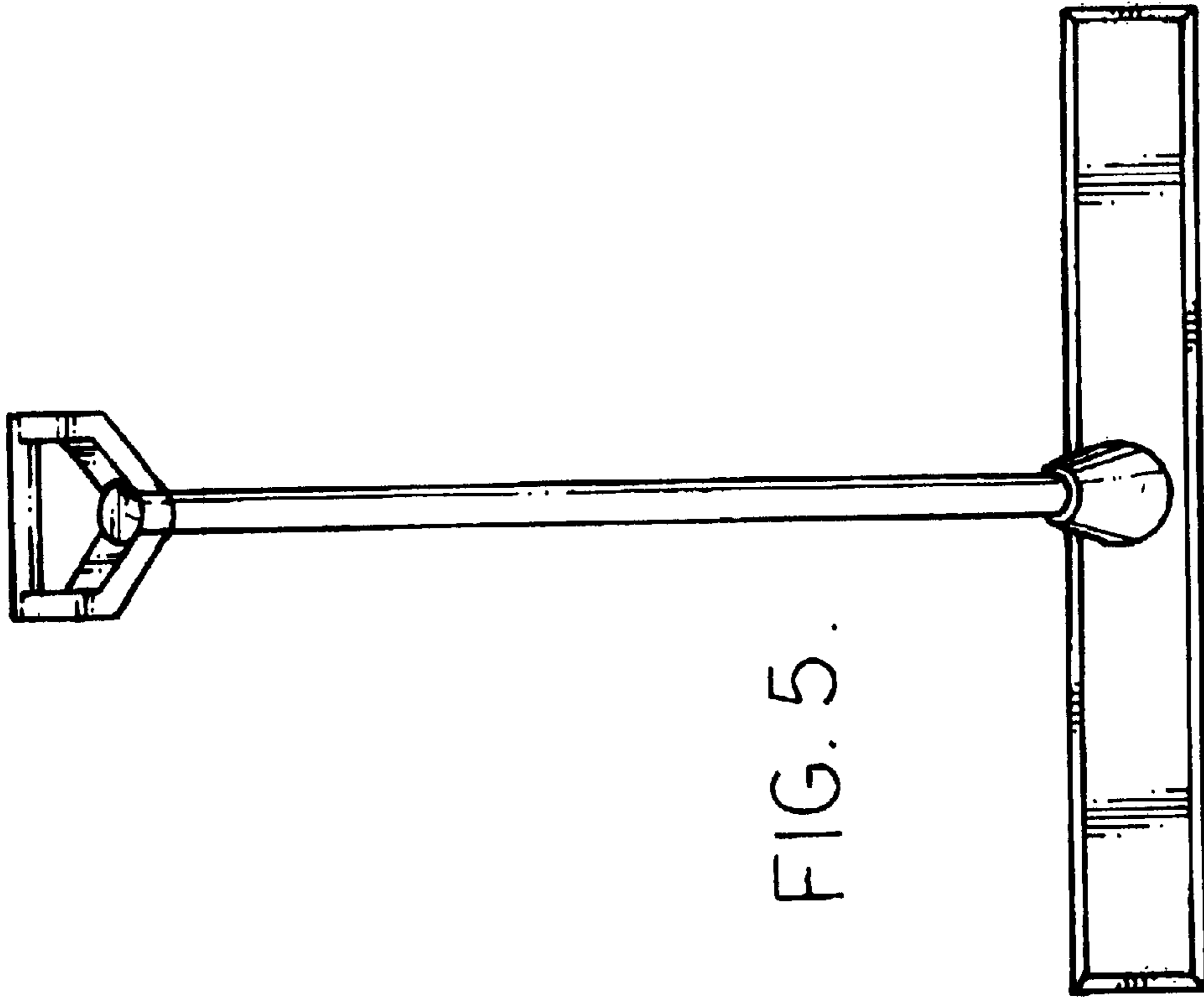


FIG. 5.

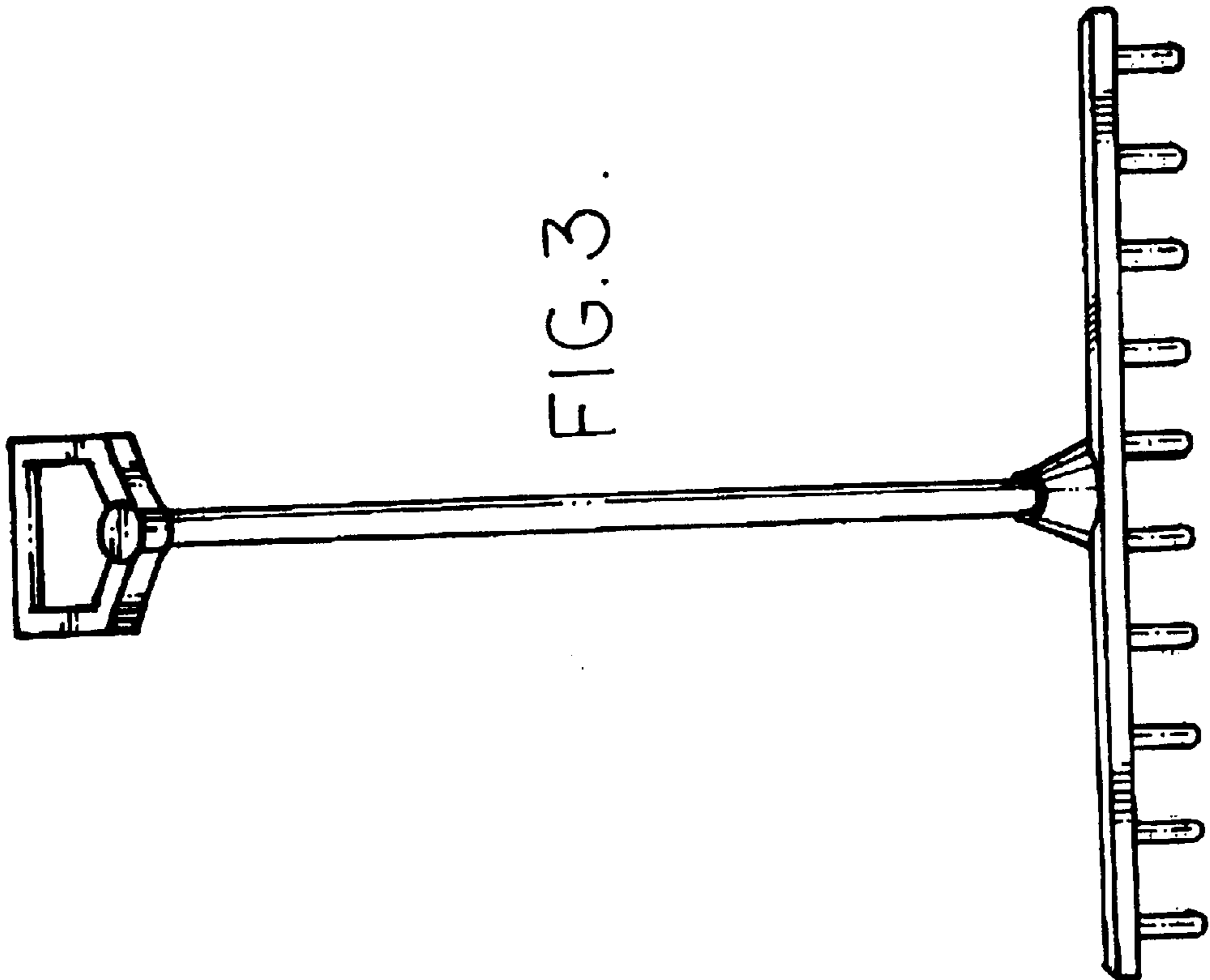


FIG. 3.

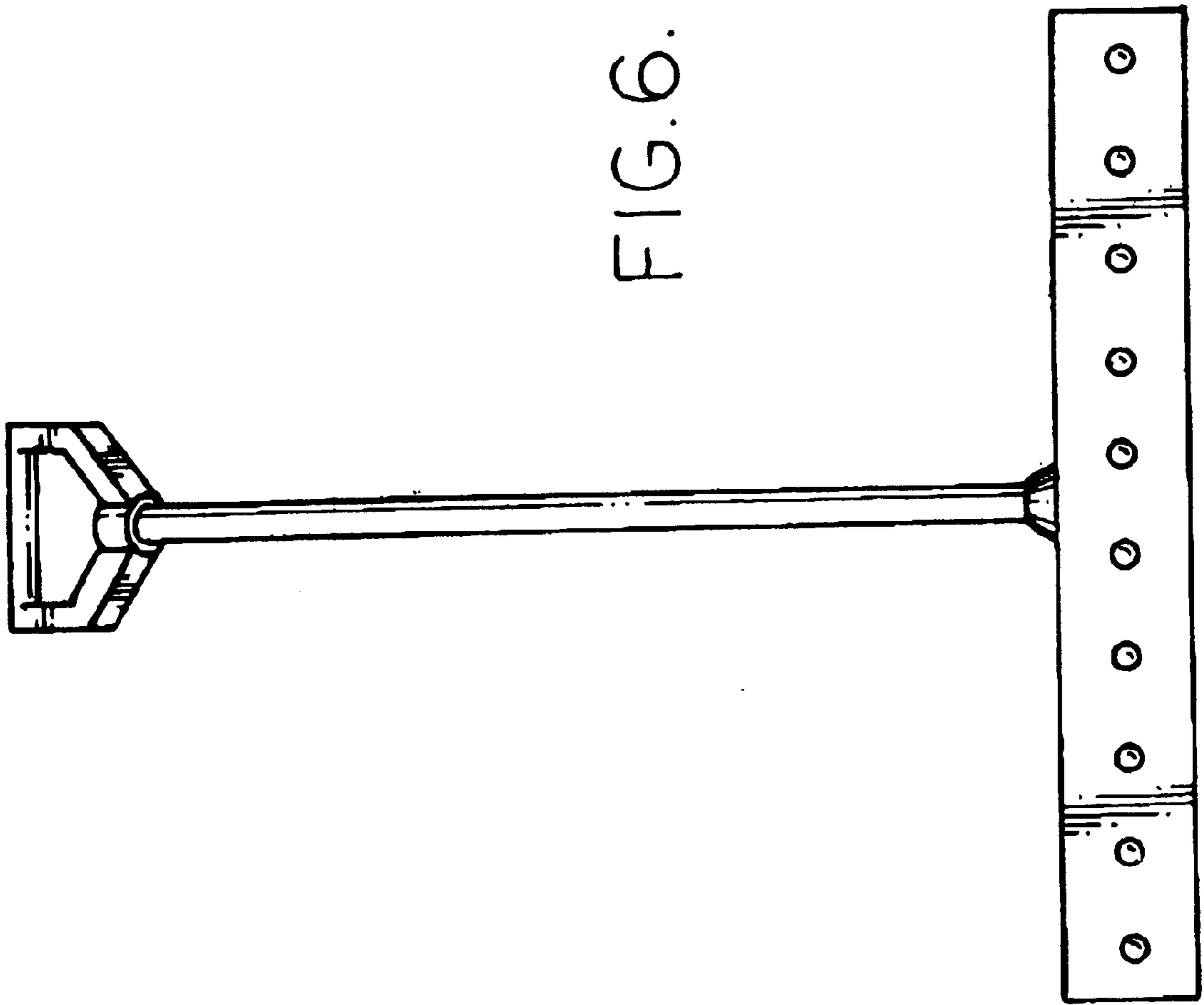


FIG. 6.