



US00D475586S

(12) **United States Design Patent**
Digue et al.

(10) **Patent No.: US D475,586 S**

(45) **Date of Patent: ** Jun. 10, 2003**

(54) **SOLAR POWERED WEED WHACKER**

D382,450 S * 8/1997 Meisner et al. D8/8
D446,699 S * 8/2001 Marshall et al. D8/8

(76) Inventors: **Rhonda Michelle Digue**, 23346
Leighwood Dr., Woodhaven, MI (US)
48183; **Lawrence John Digue**, 23346
Leighwood Dr., Woodhaven, MI (US)
48183

* cited by examiner

Primary Examiner—Pamela Burgess
(74) *Attorney, Agent, or Firm*—Richard L. Mikesell

(**) Term: **14 Years**

(57) **CLAIM**

(21) Appl. No.: **29/167,484**

The design for a solar powered weed whacker, as shown and described.

(22) Filed: **Sep. 16, 2002**

(51) **LOC (7) Cl.** **08-01**

DESCRIPTION

(52) **U.S. Cl.** **D8/8**

(58) **Field of Search** D8/8; 56/12.7,
56/12.1; 30/276; 172/13, 14, 16; 136/206,
246

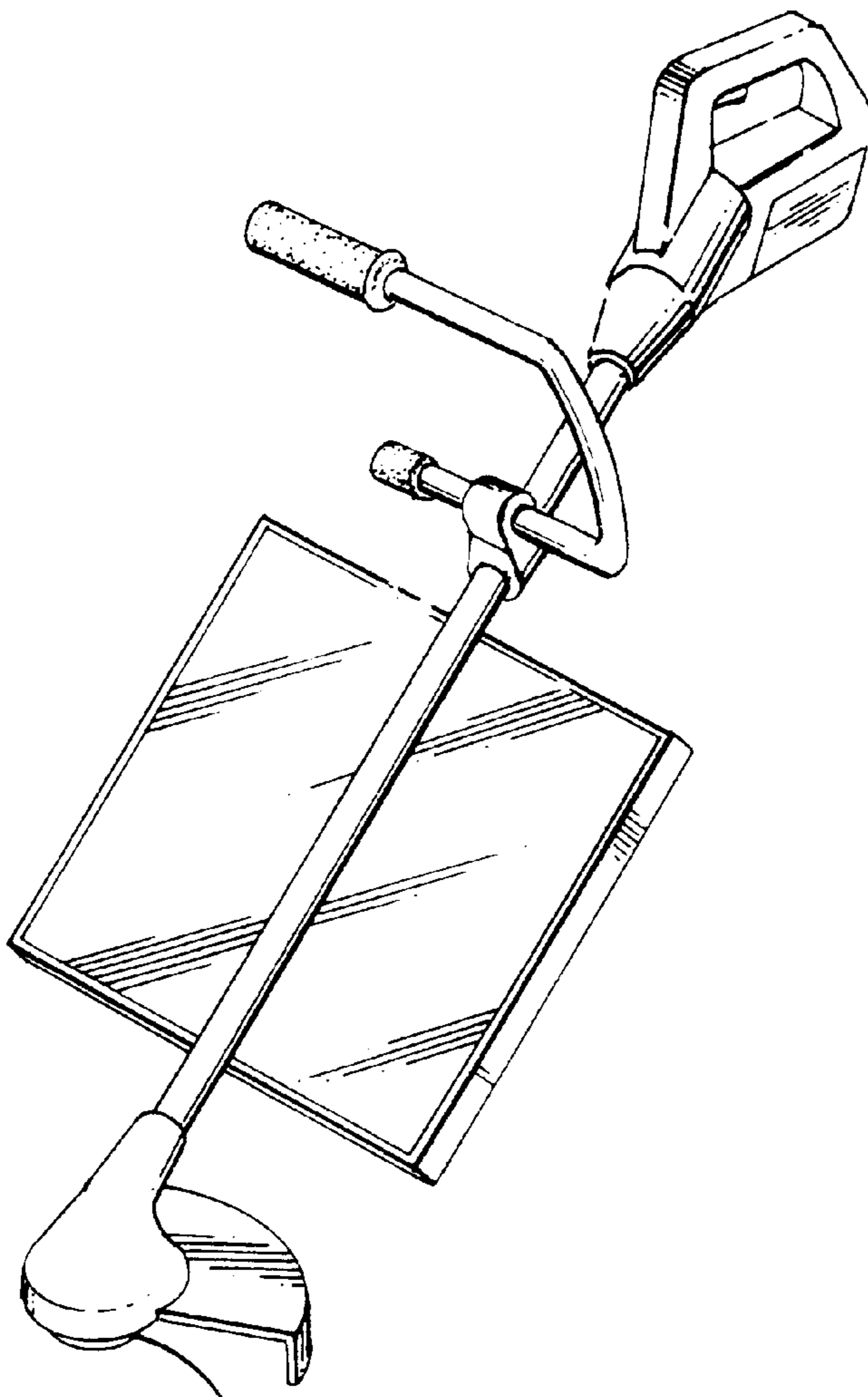
FIG. 1 is a top, right perspective view of a solar powered weed whacker showing our new design;
FIG. 2 is a left side elevational view thereof; and,
FIG. 3 is a bottom plan view thereof.

(56) **References Cited**

U.S. PATENT DOCUMENTS

D373,712 S * 9/1996 Bridgers D8/8

1 Claim, 1 Drawing Sheet



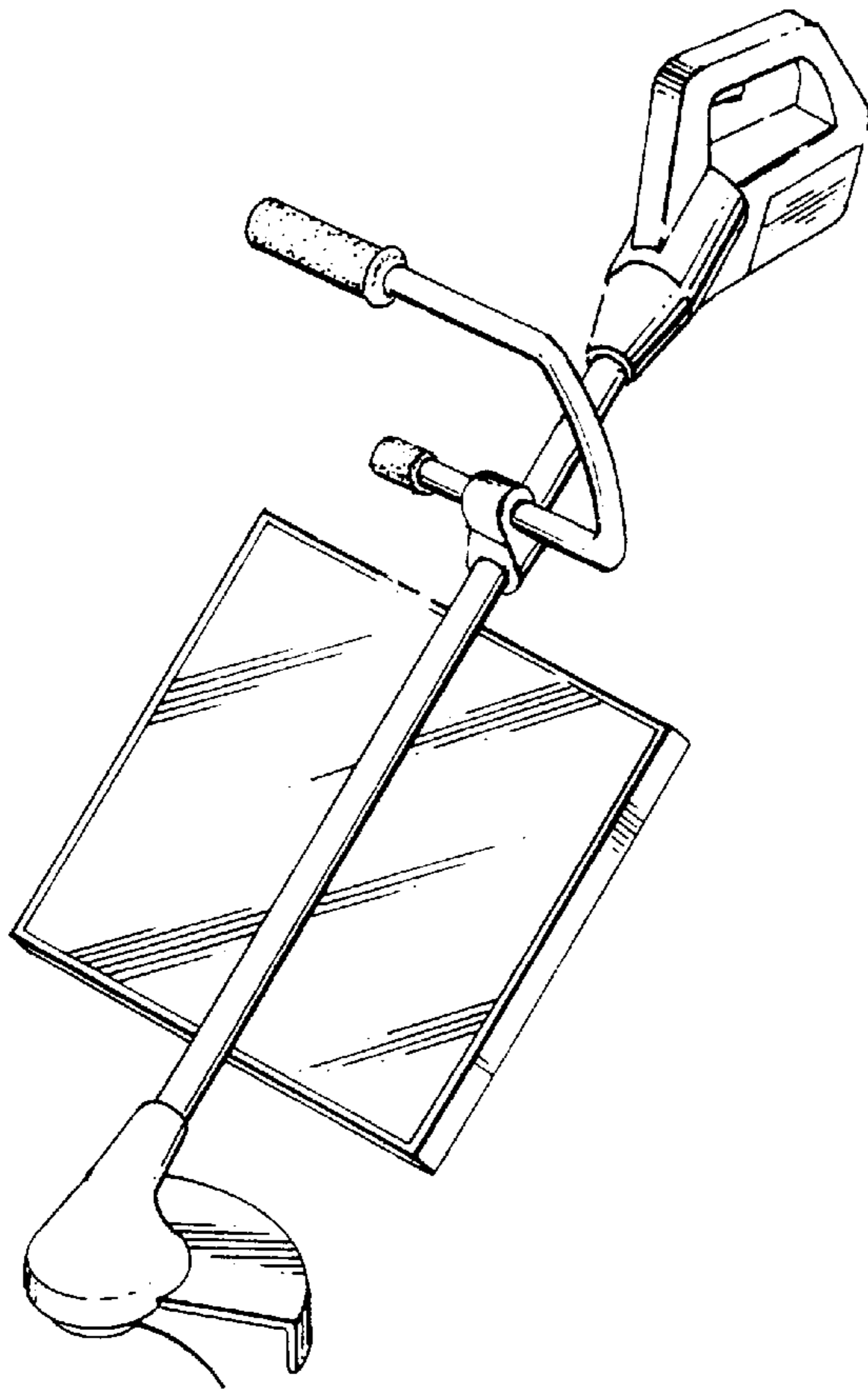


FIG. 1

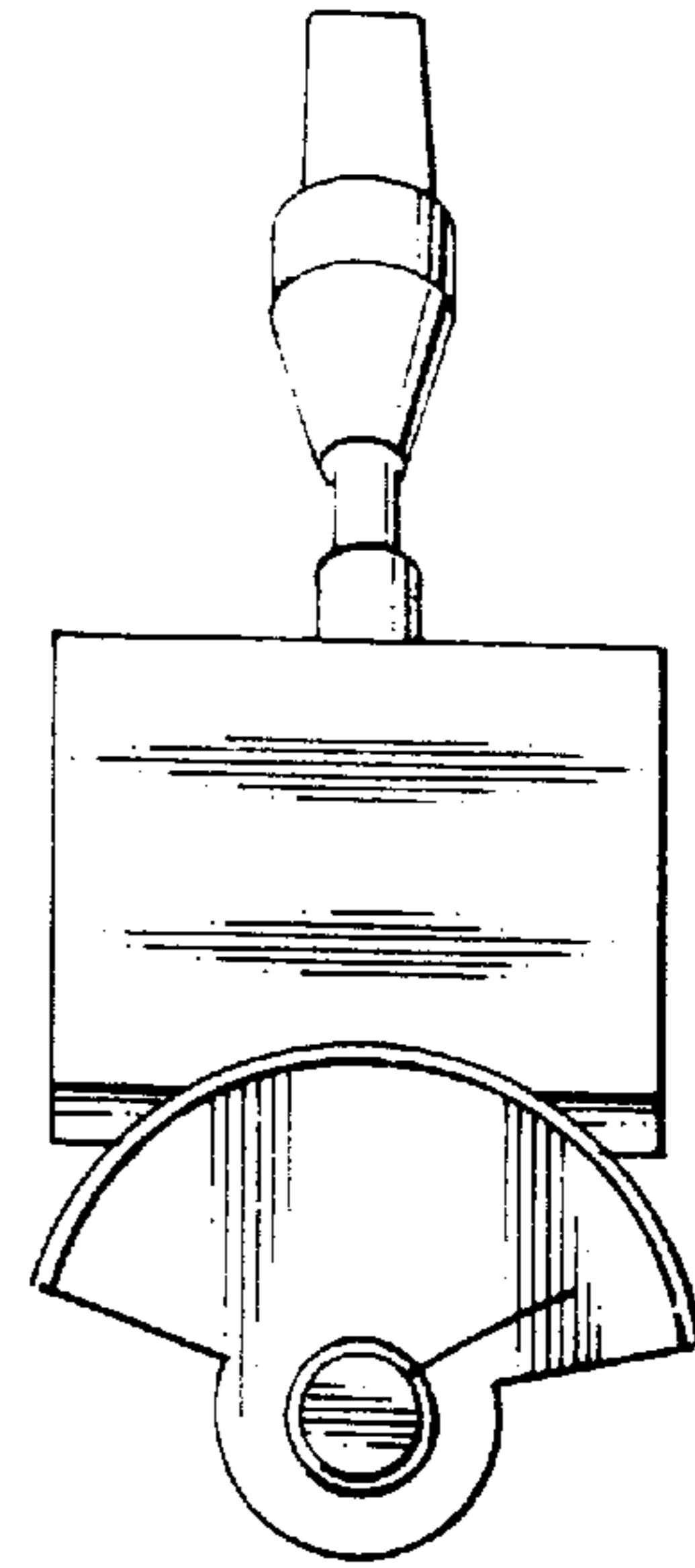


FIG. 3

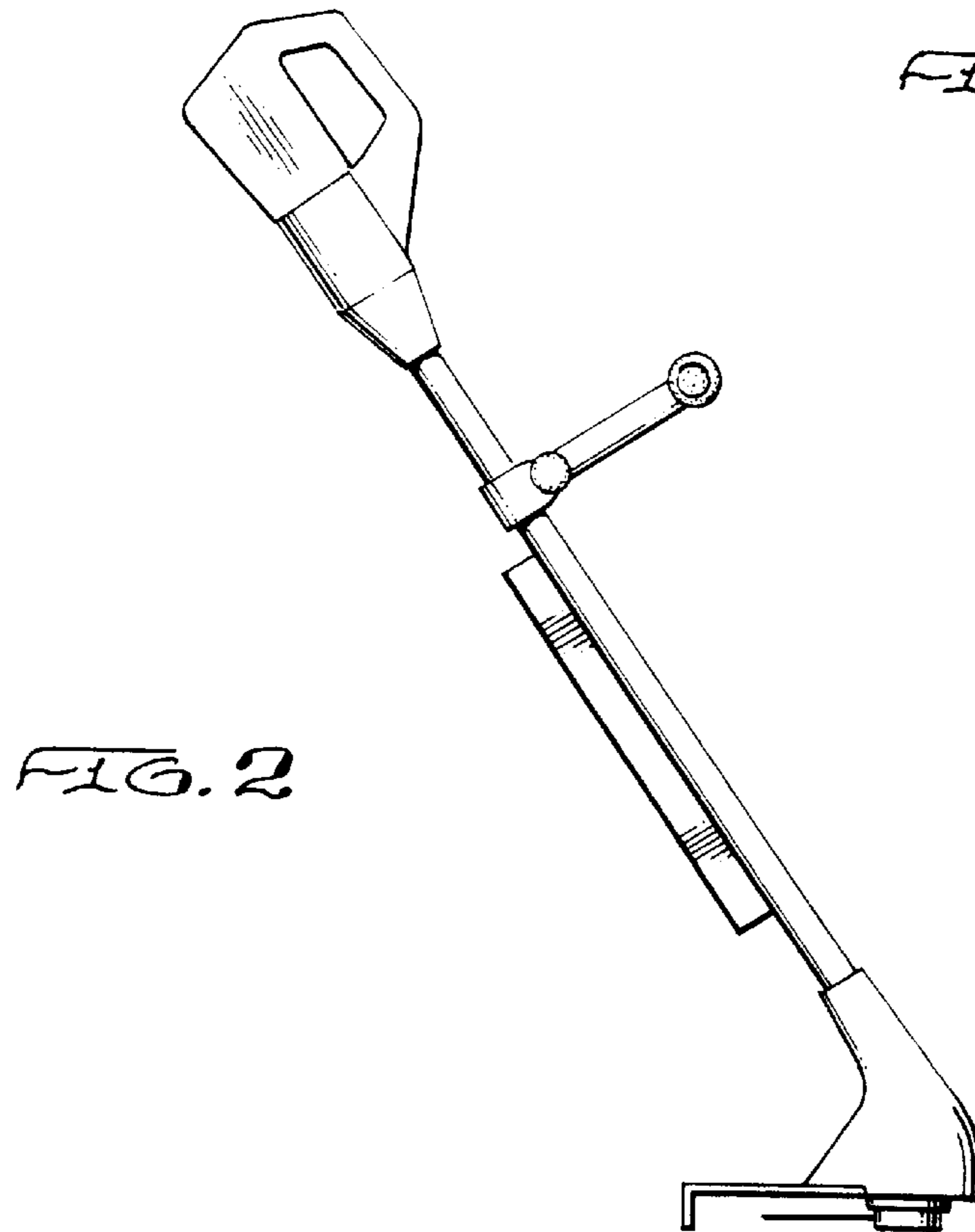


FIG. 2