



US00D475583S

(12) **United States Design Patent**  
**Koch et al.**

(10) **Patent No.: US D475,583 S**

(45) **Date of Patent: \*\* Jun. 10, 2003**

(54) **DISPENSER FOR STICK FORM SOLID EDIBLE FOODS**

(76) Inventors: **Drake L. Koch**, 3309 Genessee, Kansas City, MO (US) 64111; **Vijay S. Malik**, 4405 Fairmount Ave., Kansas City, MO (US) 64111

(\*\*) Term: **14 Years**

(21) Appl. No.: **29/158,982**

(22) Filed: **Apr. 11, 2002**

**Related U.S. Application Data**

(63) Continuation-in-part of application No. 09/882,893, filed on Jun. 15, 2001, which is a continuation-in-part of application No. 29/124,812, filed on Jun. 12, 2000, now Pat. No. Des. 444,358, which is a continuation-in-part of application No. 09/165,495, filed on Oct. 2, 1998, now Pat. No. 6,082,596.

(51) **LOC (7) Cl. .... 07-04**

(52) **U.S. Cl. .... D7/669; D7/670**

(58) **Field of Search .... D7/368, 669, 670; 222/47, 80, 157, 387, 390, 391; 401/9-12, 79, 82, 84, 98, 131, 175, 176**

(56) **References Cited**

**U.S. PATENT DOCUMENTS**

1,335,998 A	4/1920	St Onge	
1,463,407 A	7/1923	Sharp et al.	
2,489,667 A	11/1949	Pennell	
2,589,000 A	3/1952	Vani	
2,845,707 A	8/1958	Redmond	
2,980,247 A	4/1961	DiGiantomaso	
3,162,884 A	12/1964	Bordwine et al.	
3,750,913 A	8/1973	Wild	
3,920,156 A	11/1975	Hicks	
3,993,226 A	* 11/1976	Pavenick	..... 222/390 X

4,023,912 A	*	5/1977	Mahler et al.	..... 401/82
4,241,852 A		12/1980	Klem	
4,544,083 A		10/1985	Schroeder	
4,964,745 A		10/1990	Deitz	
D315,083 S		3/1991	Anderson et al.	
D347,366 S		5/1994	Harmen et al.	
5,955,114 A		9/1999	Llanos	

**OTHER PUBLICATIONS**

Dispensing Device for Butter And Margarine—New Product for Licensing. Shawn A. Stewart, Inventor. www.invention.com.

\* cited by examiner

*Primary Examiner*—Ted Shooman

(74) *Attorney, Agent, or Firm*—Richard L. Marsh

(57) **CLAIM**

The ornamental design for a dispenser for stick form solid edible foods, as shown and described.

**DESCRIPTION**

FIG. 1 is a right frontal exploded perspective view of the design of a dispenser for stick form solid edible foods.

FIG. 2 is a rear elevation view of the design of a dispenser for stick form solid edible foods of FIG. 1.

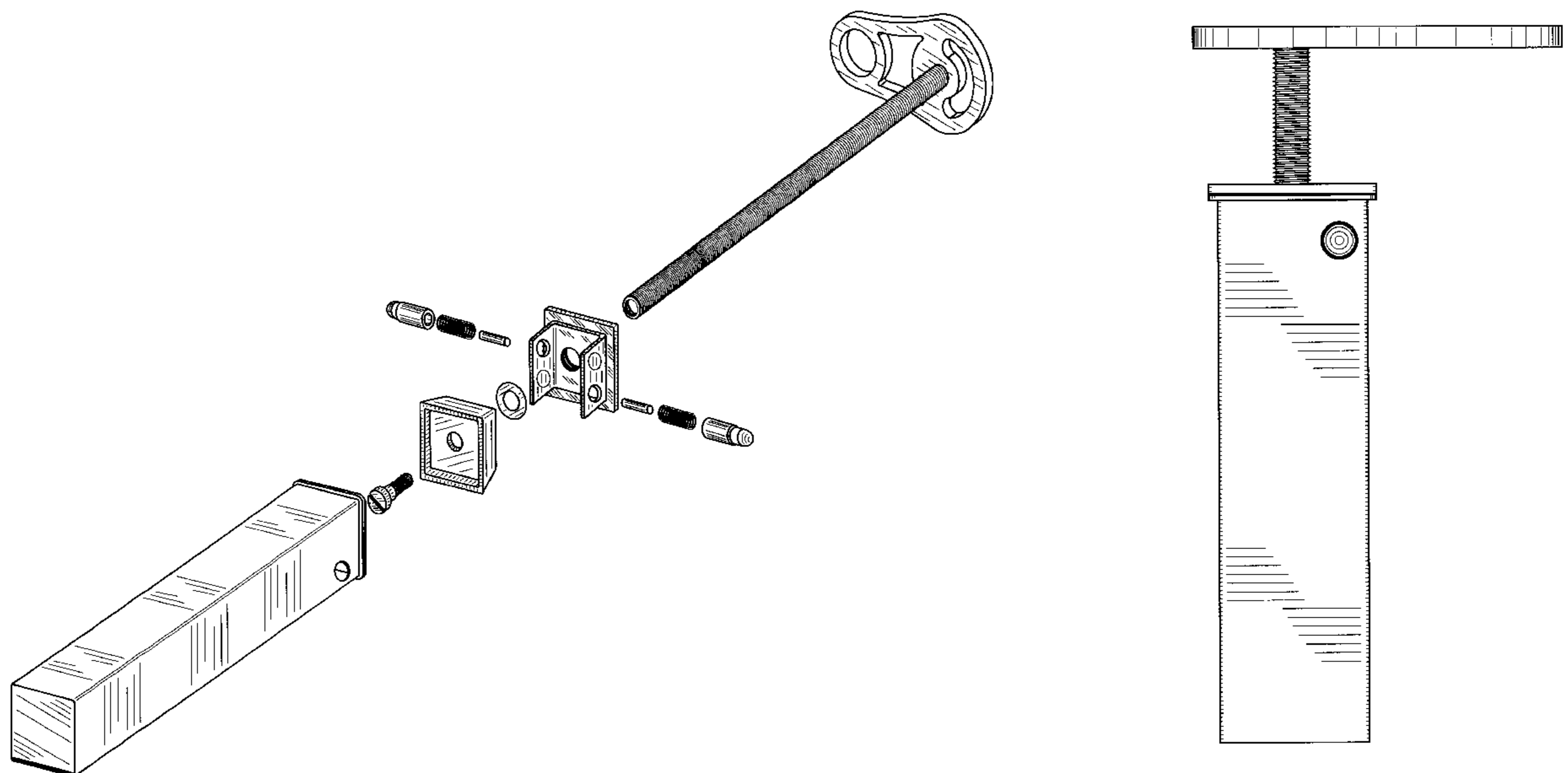
FIG. 3 is a bottom plan view of the design of a dispenser for stick form solid edible foods of FIG. 1.

FIG. 4 is a top plan view of the design of a dispenser for stick form solid edible foods of FIG. 1.

FIG. 5 is a left side elevation view of the design of a dispenser for stick form solid edible foods of FIG. 1.

FIG. 6 is a right side elevation view of the design of a dispenser for stick form solid edible foods of FIG. 1; and, FIG. 7 is a front elevation view of the design of a dispenser for stick form solid edible foods.

**1 Claim, 3 Drawing Sheets**



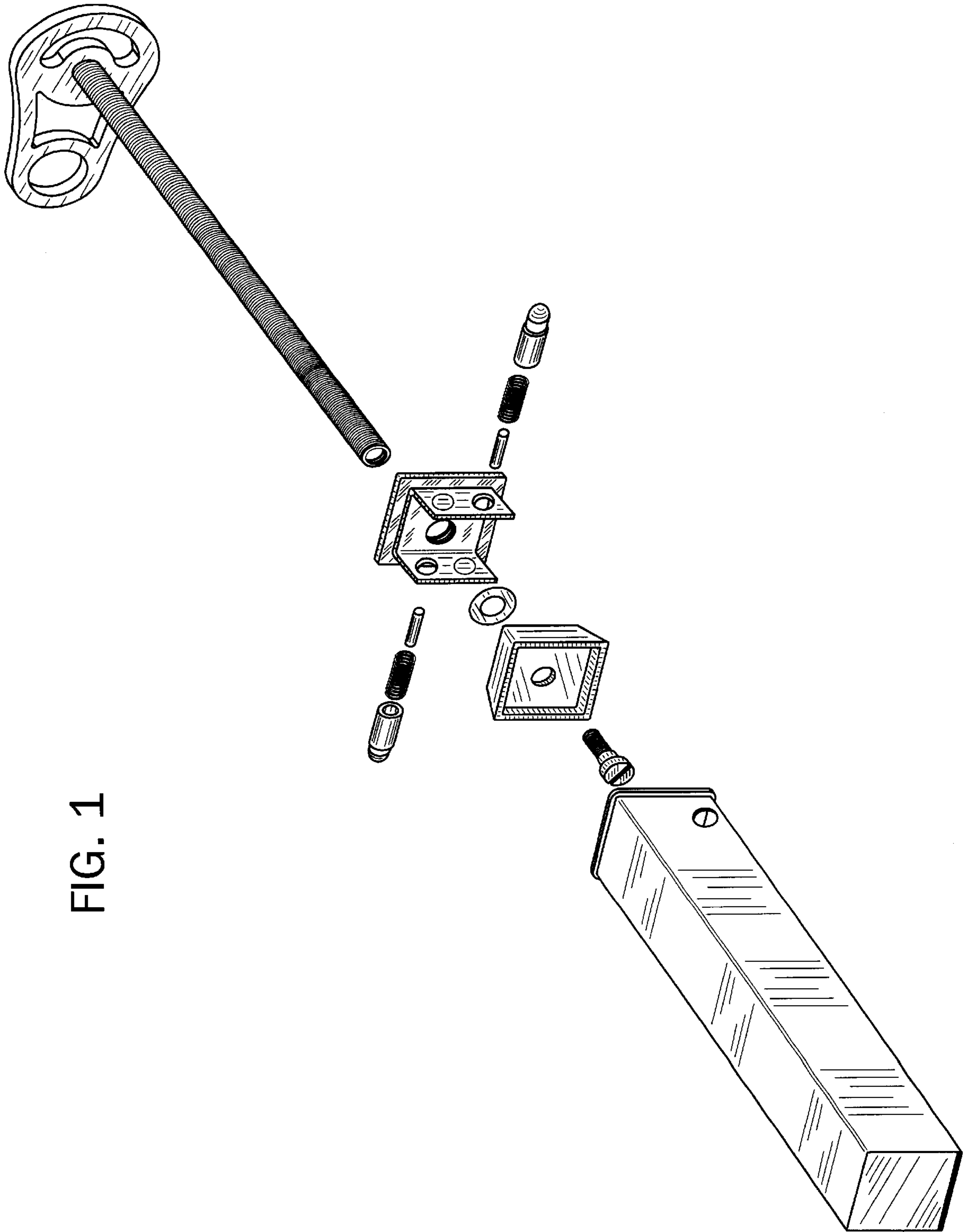


FIG. 1

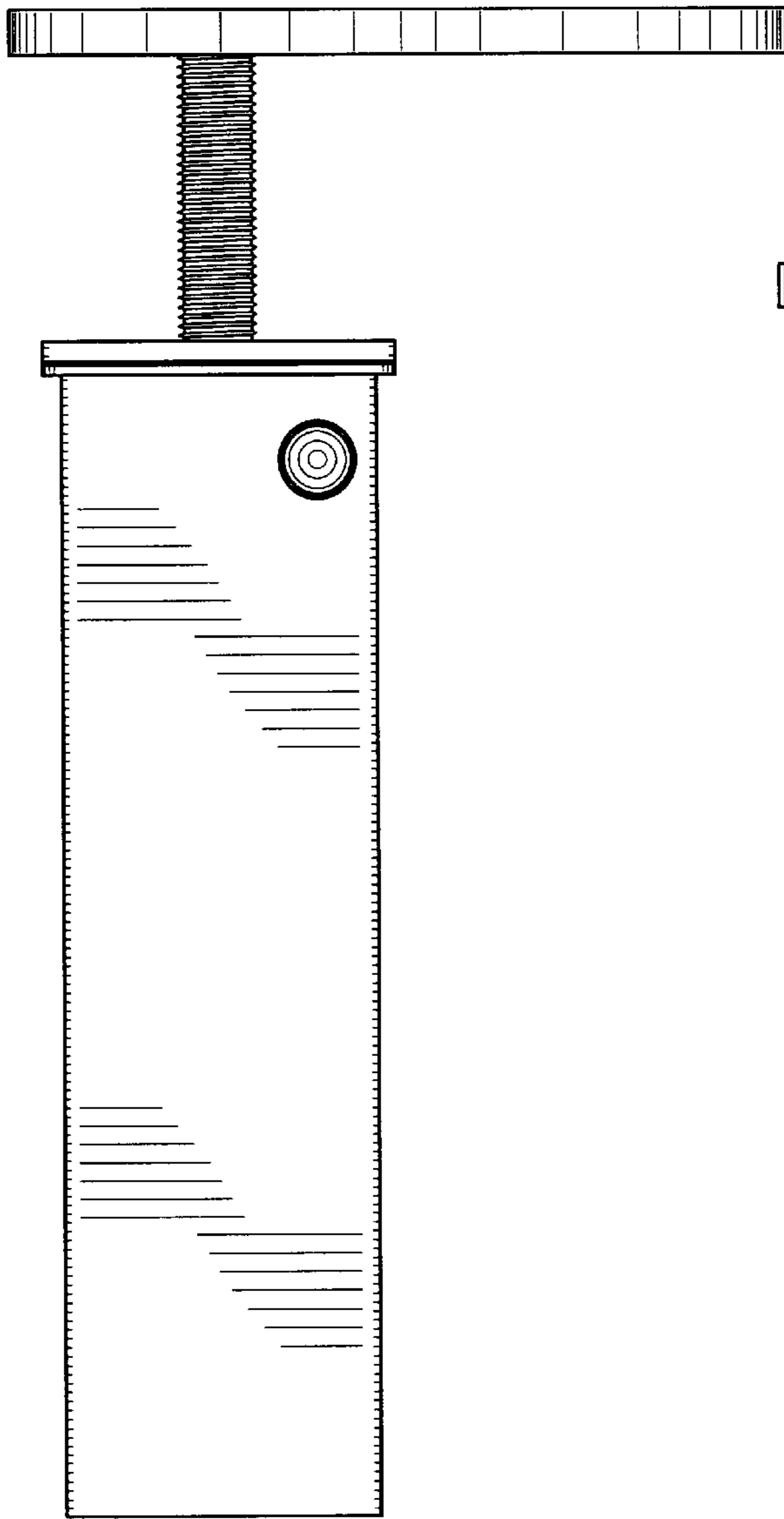


FIG. 2

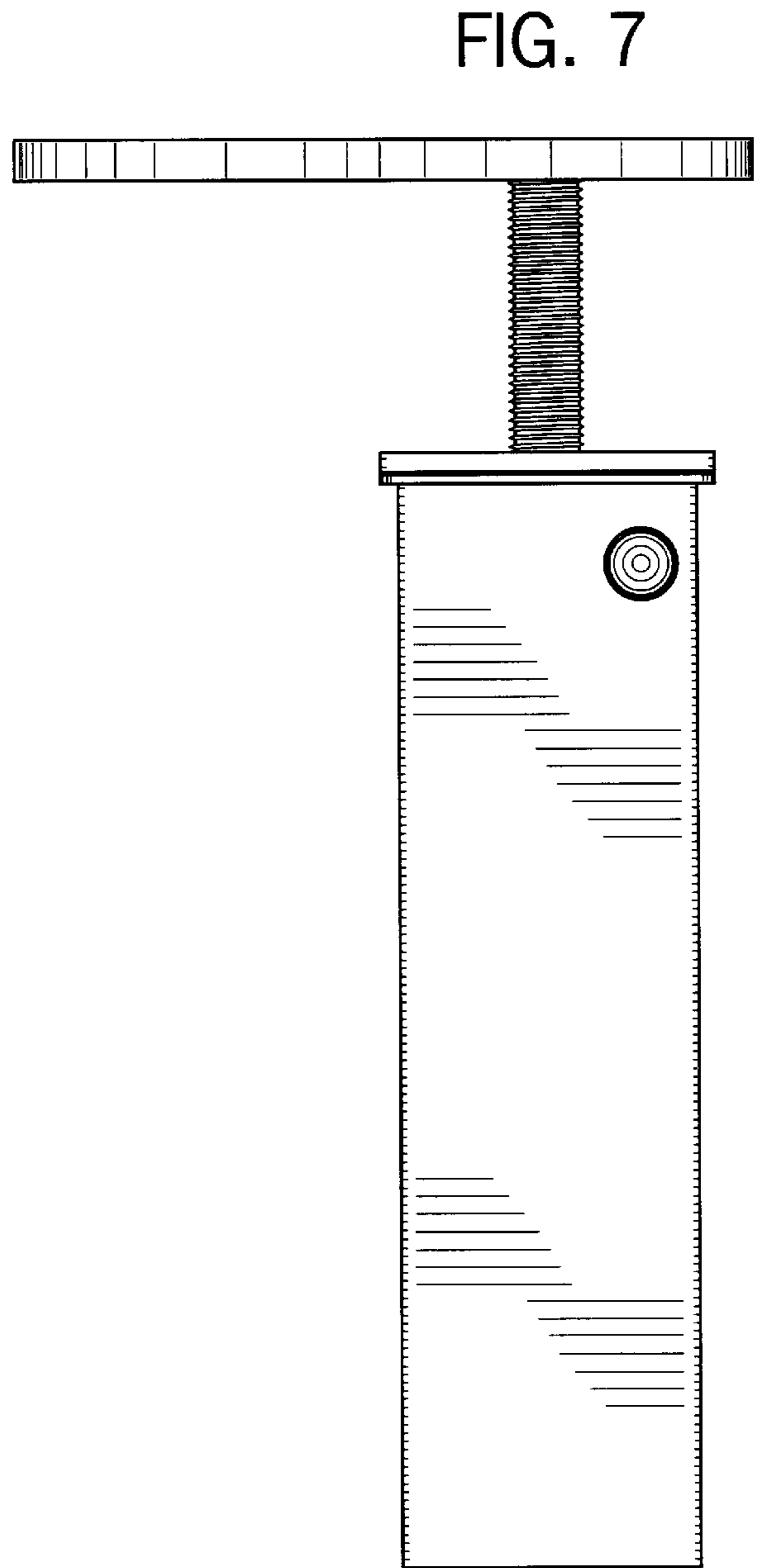


FIG. 7

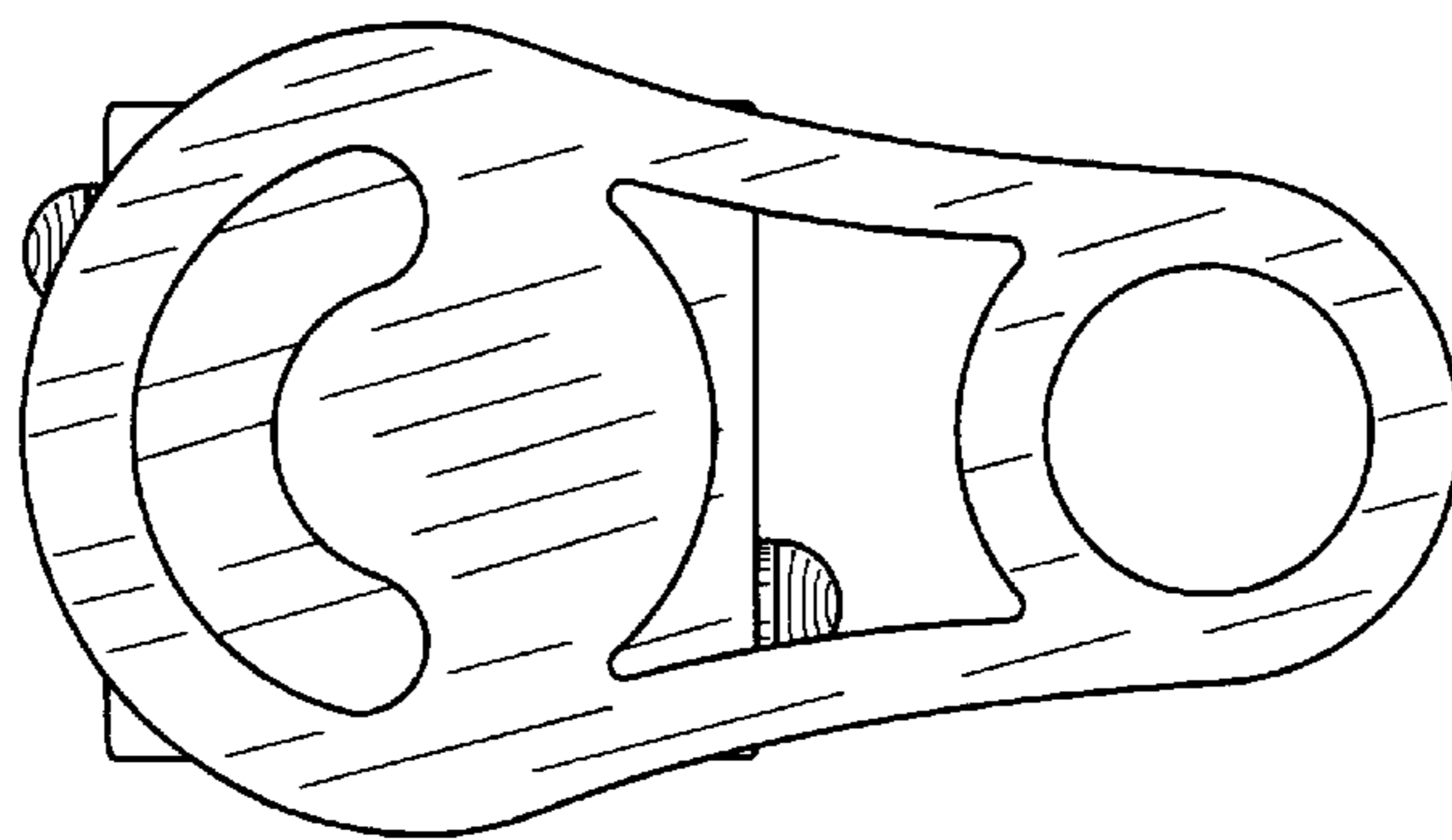


FIG. 4

FIG. 5

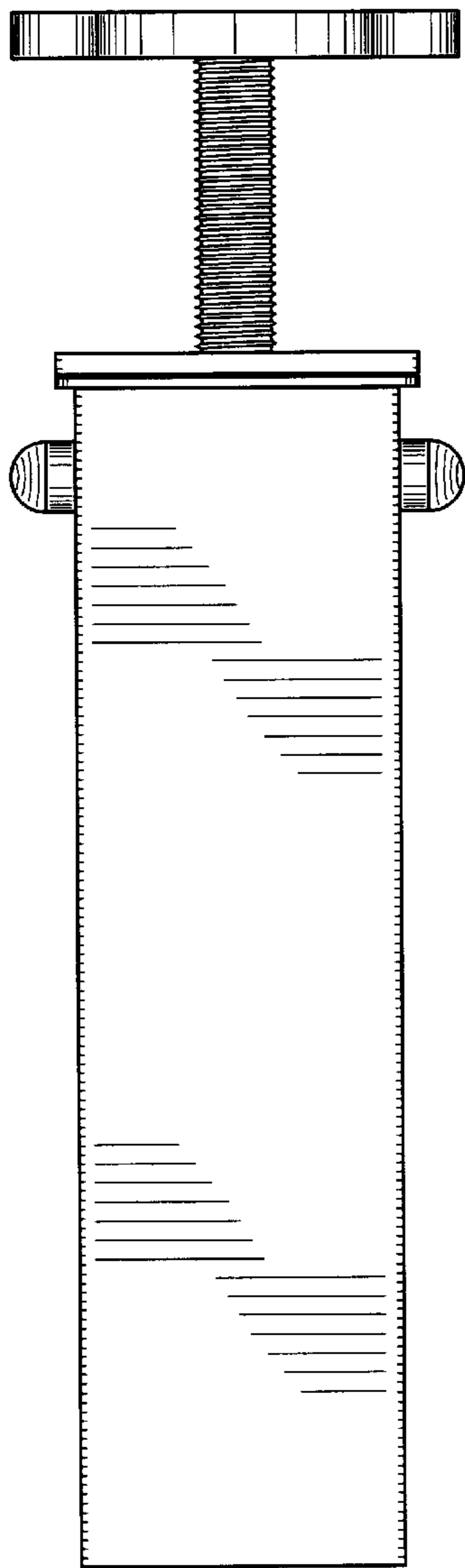


FIG. 6

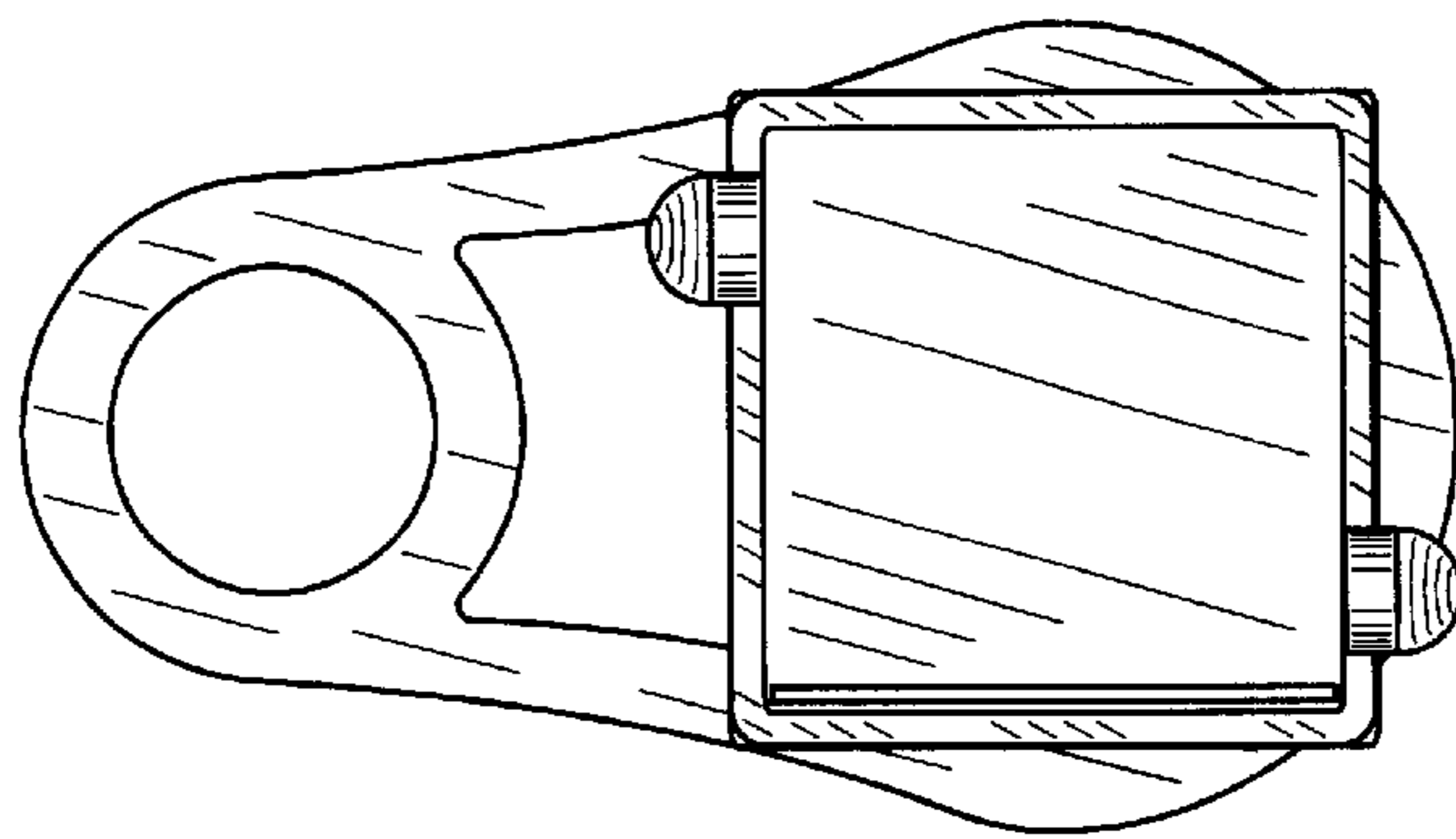
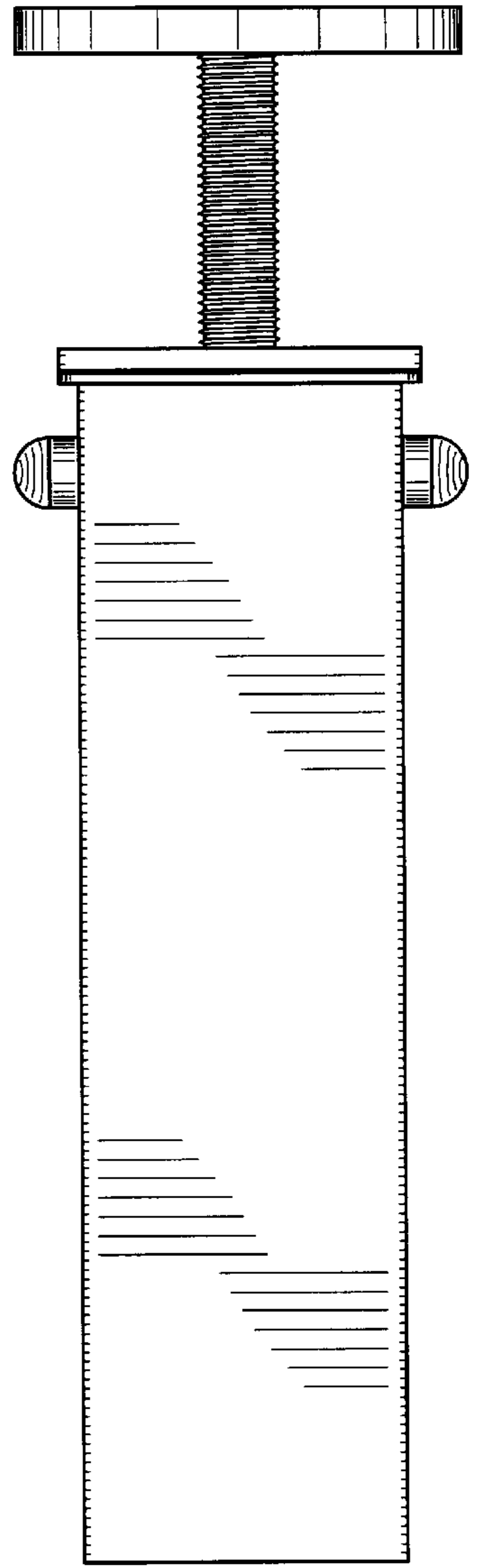


FIG. 3