



US00D475580S

(12) **United States Design Patent**
Cantor et al.

(10) **Patent No.:** **US D475,580 S**

(45) **Date of Patent:** **** Jun. 10, 2003**

(54) **COOLER**

(76) Inventors: **Kenneth Cantor**, 4379 Strathdale, West Bloomfield, MI (US) 48323; **John E. Nemazi**, 4373 Stoneleigh, Bloomfield Hills, MI (US) 48302

(**) Term: **14 Years**

(21) Appl. No.: **29/152,951**

(22) Filed: **Dec. 27, 2001**

(51) **LOC (7) Cl.** **07-01**

(52) **U.S. Cl.** **D7/605**

(58) **Field of Search** D7/605-608, 391-392.1; D9/434, 451; D21/484, 488, 498; 62/457.1, 457.7, 371, 372; 220/592.2, 592.24, 592.25, 915.1, 915.2

(56) **References Cited**

U.S. PATENT DOCUMENTS

3,095,967 A * 7/1963 Harvey, Jr. 206/457
D290,080 S * 6/1987 Carlson D7/605
5,154,158 A * 10/1992 Lindsey 62/457.7 X

* cited by examiner

Primary Examiner—Terry A. Wallace

(74) *Attorney, Agent, or Firm*—Brooks & Kushman P.C.

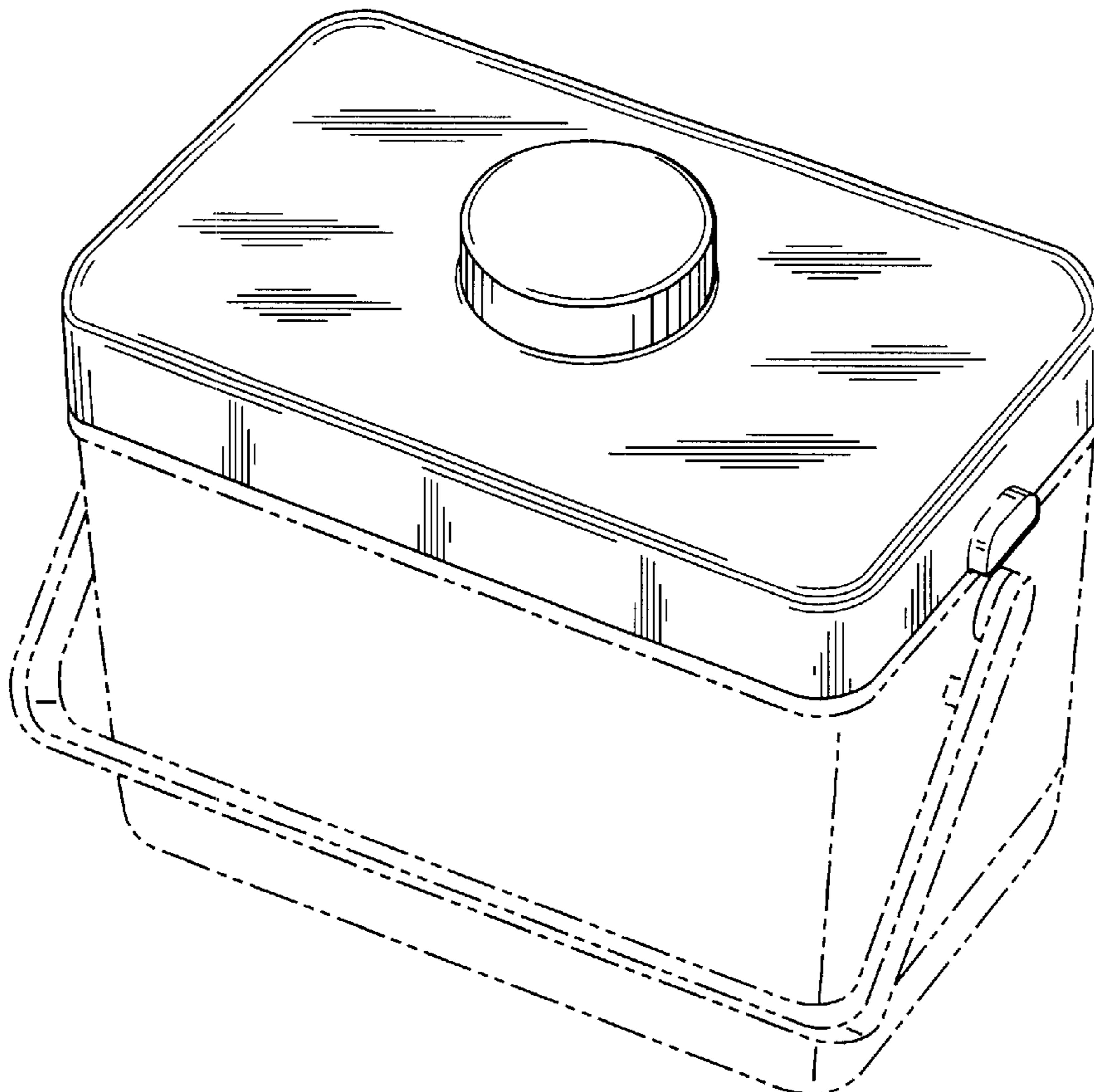
(57) **CLAIM**

The ornamental design for a cooler, as shown and described.

DESCRIPTION

FIG. 1 is a perspective view of a cooler;
FIG. 2 is a front side elevational view thereof;
FIG. 3 is a top plan view thereof;
FIG. 4 is a bottom plan view thereof;
FIG. 5 is a left side elevational view, the right side elevational view being a mirror image thereof of the present invention.
FIG. 6 is a perspective view of a second embodiment of the perspective view of the present invention;
FIG. 7 is a front side elevational view of the 2nd embodiment shown in FIG. 6;
FIG. 8 is a top plan view of the 2nd embodiment shown in FIG. 6;
FIG. 9 is a rear plan view of the 2nd embodiment shown in FIG. 6;
FIG. 10 is a bottom plan view of the 2nd embodiment shown in FIG. 6;
FIG. 11 is a left side elevational view of the 2nd embodiment shown in FIG. 6; and,
FIG. 12 is a right side elevational view of the 2nd embodiment shown in FIG. 6 of the present invention.
The broken lines are for illustrative purposes only and form no part of the claimed design.

1 Claim, 6 Drawing Sheets



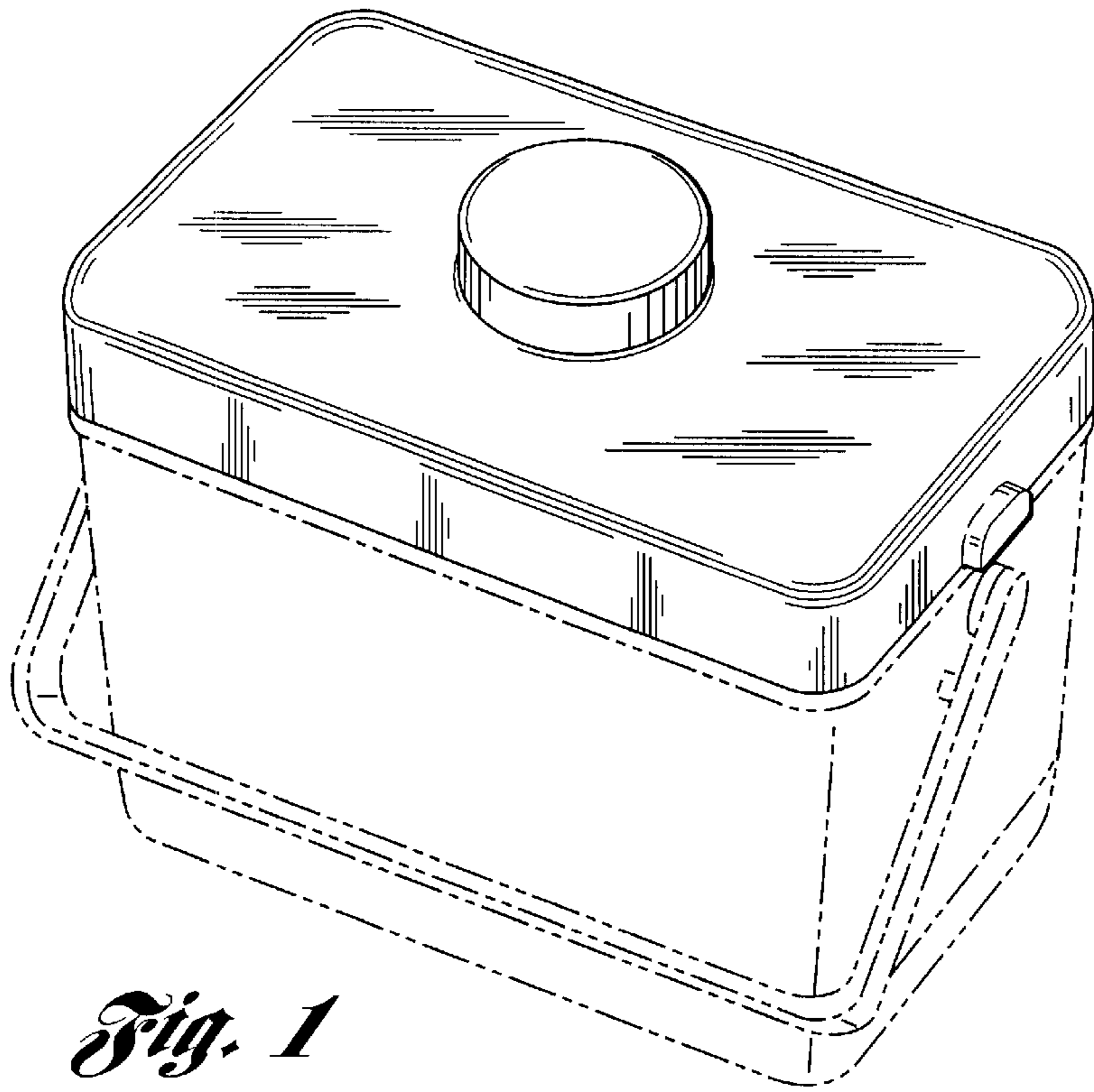


Fig. 1

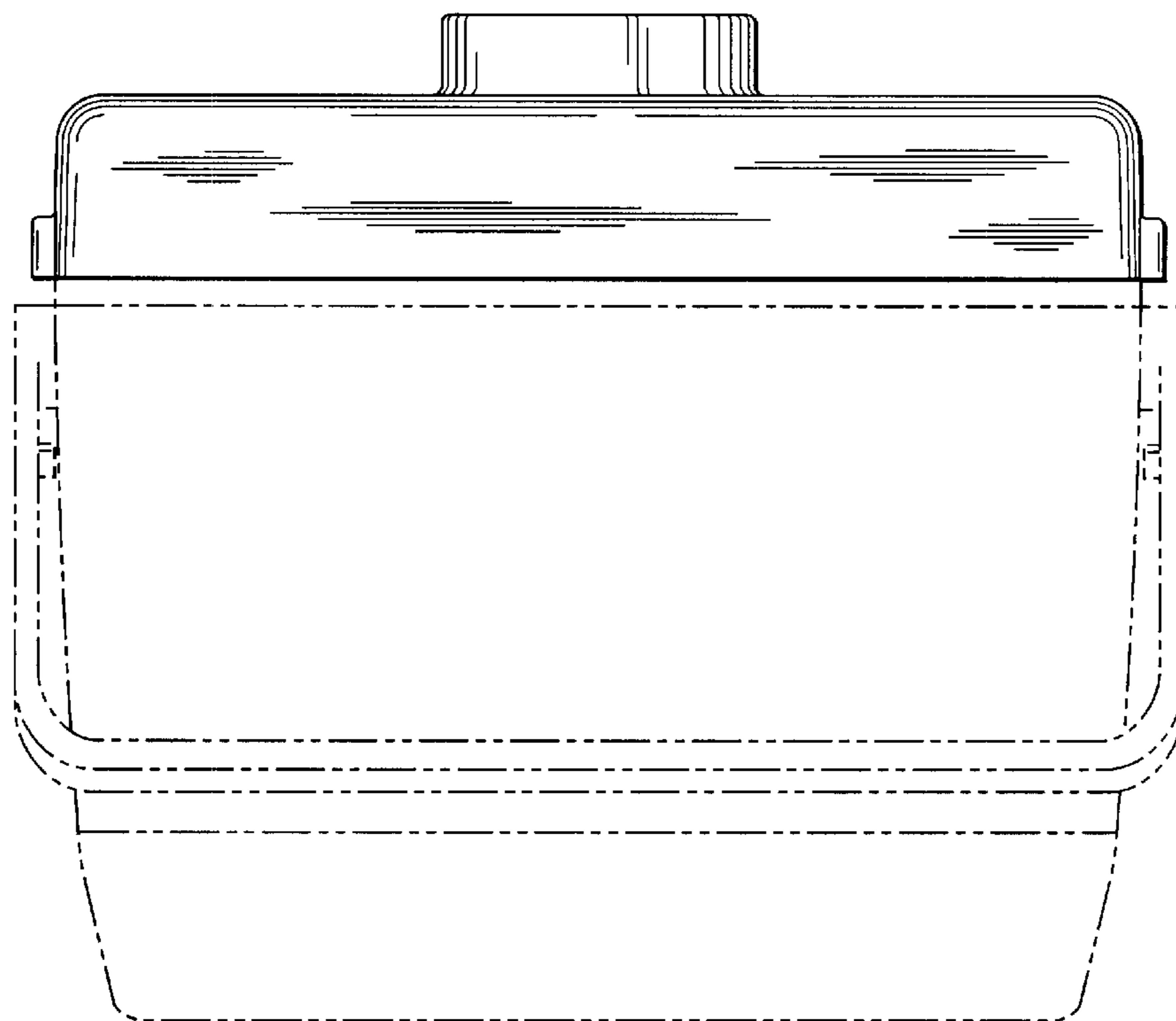


Fig. 2

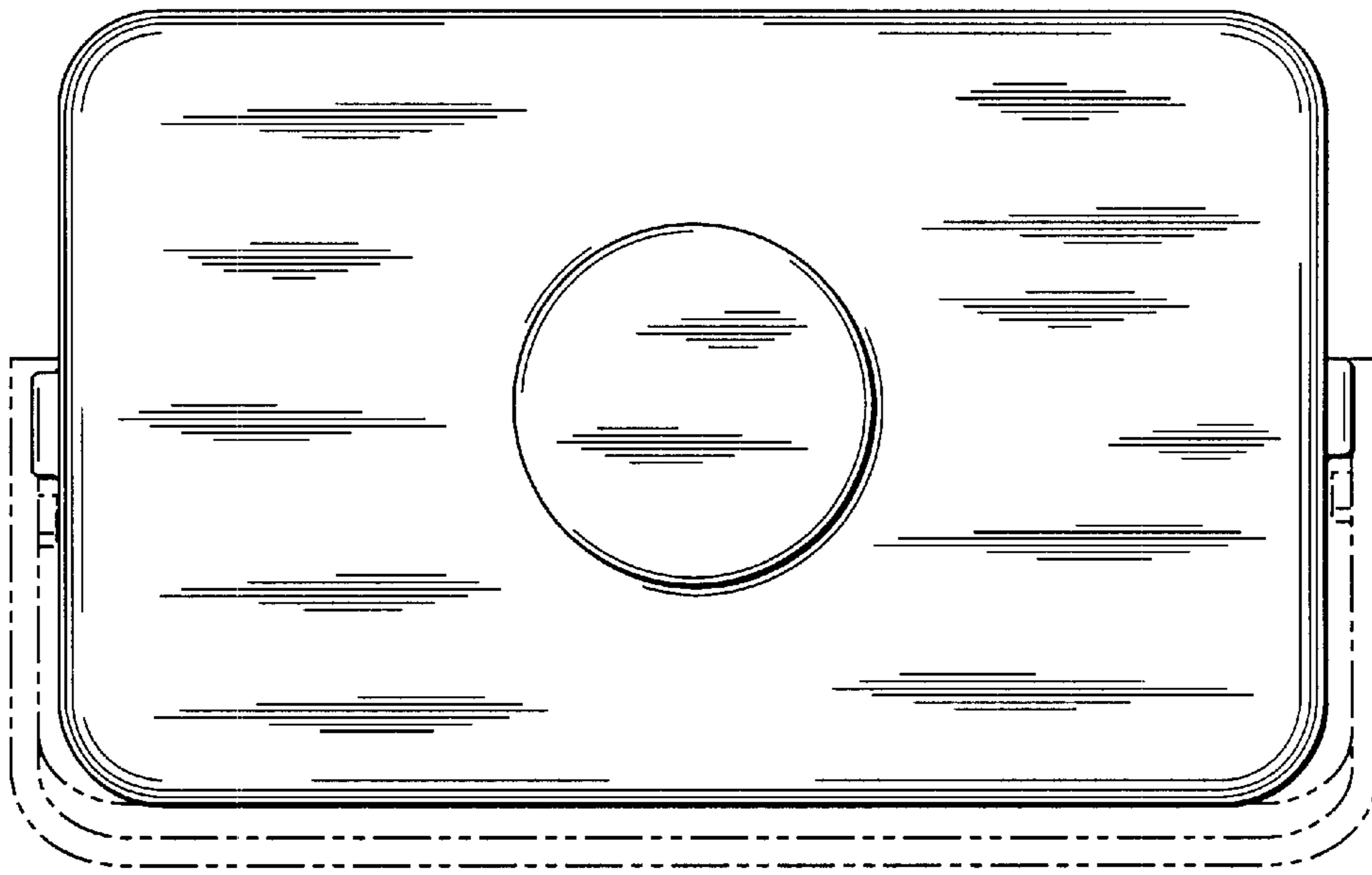


Fig. 3

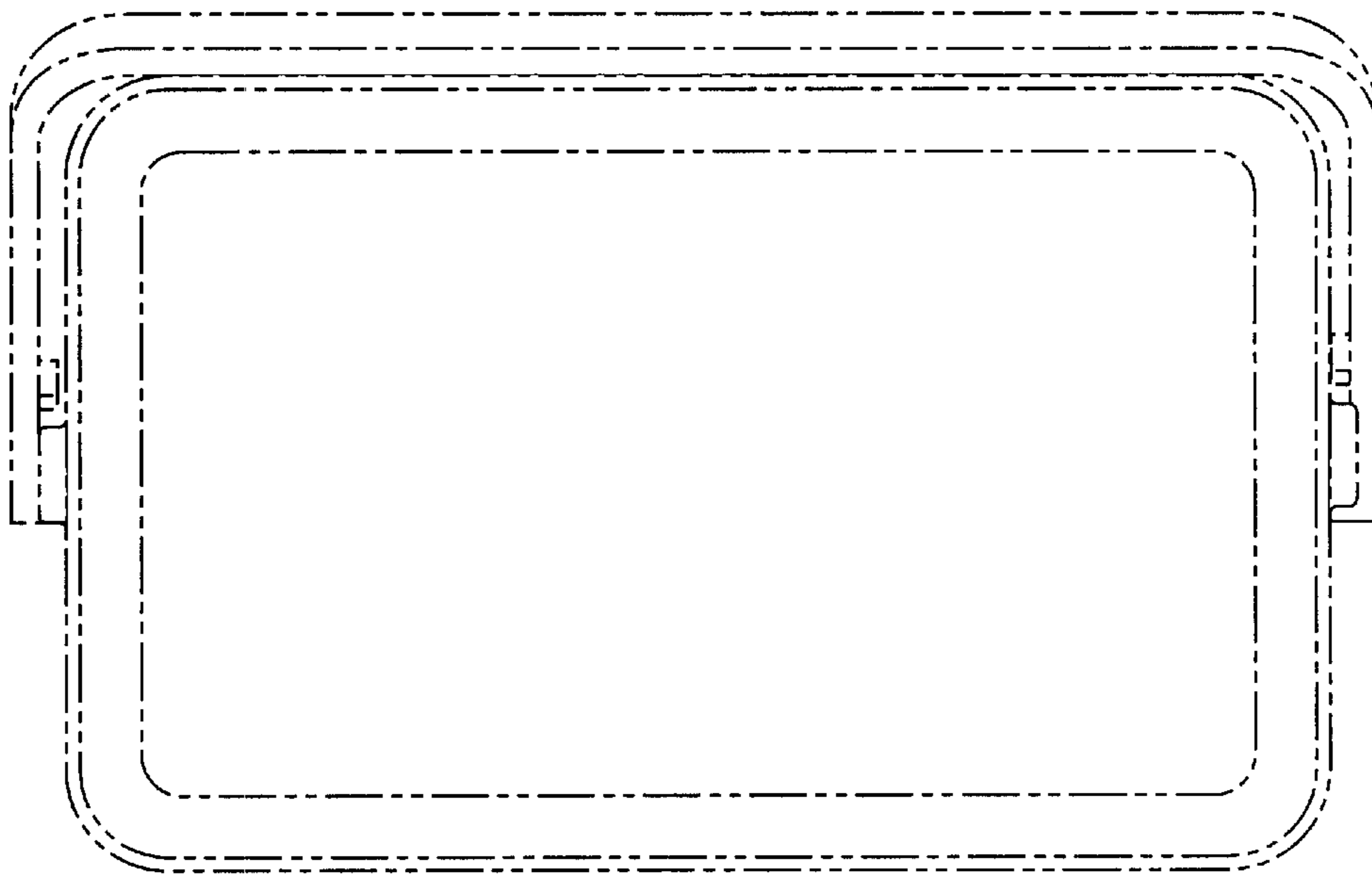


Fig. 4

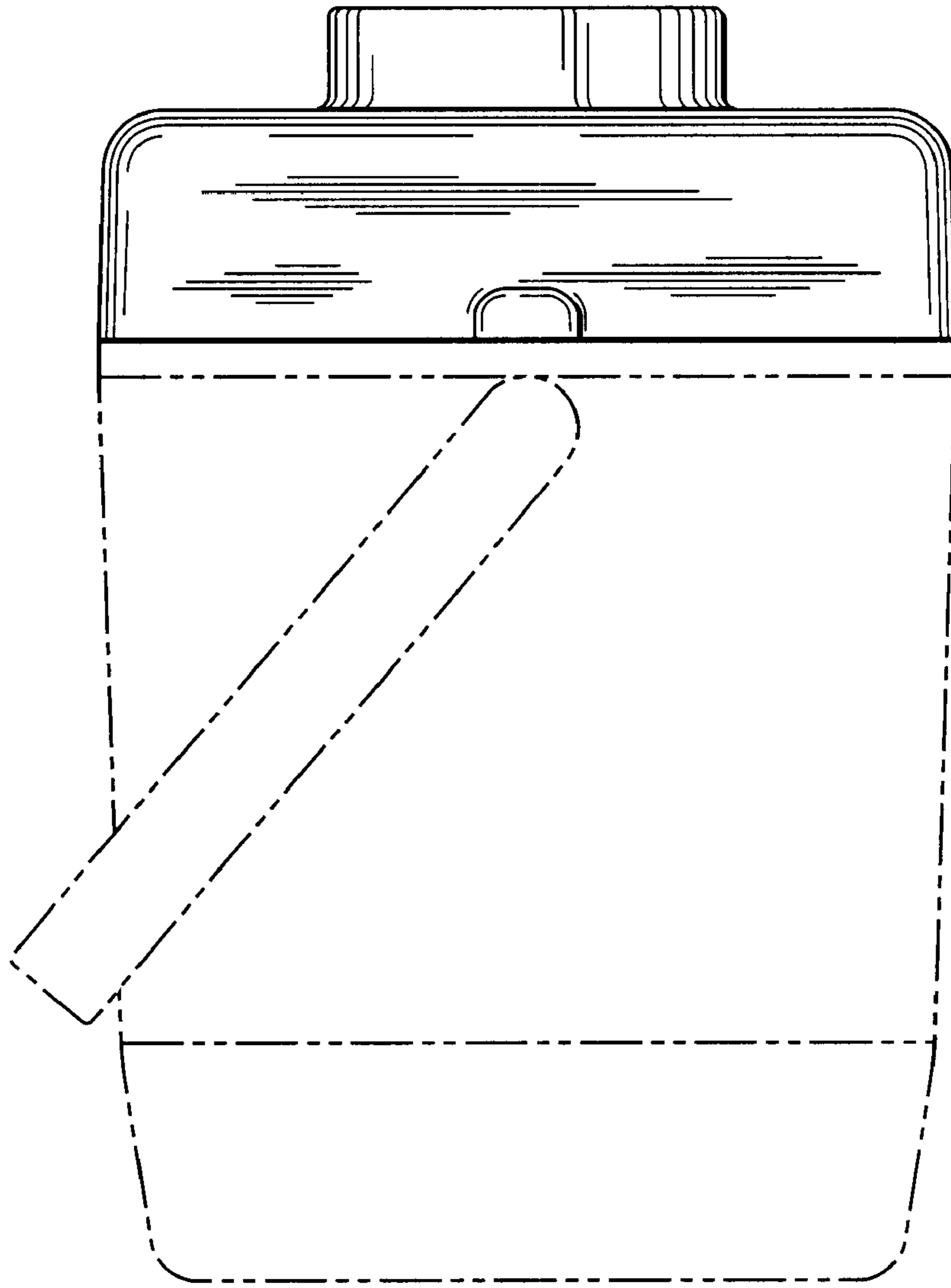


Fig. 5

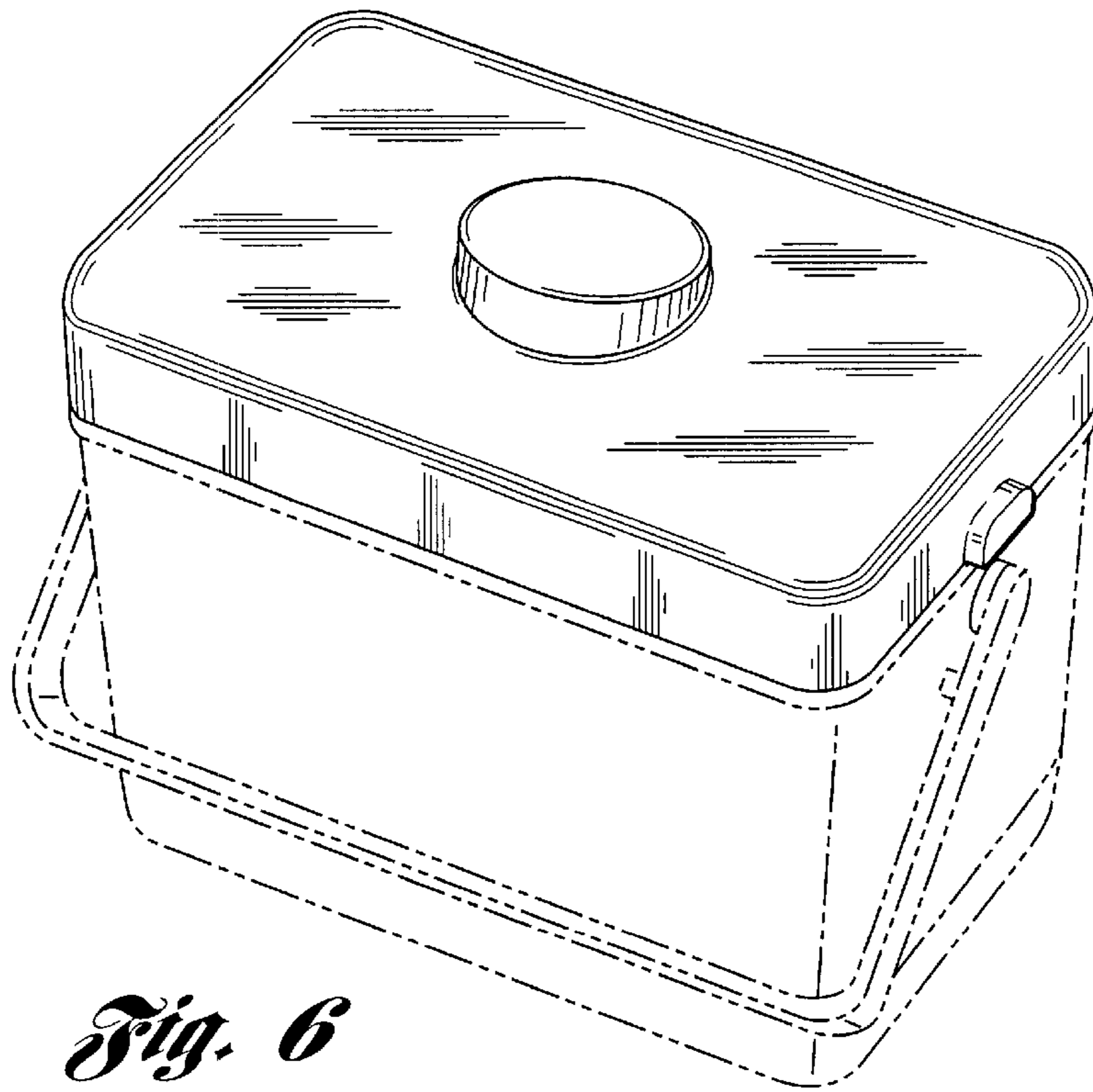


Fig. 6

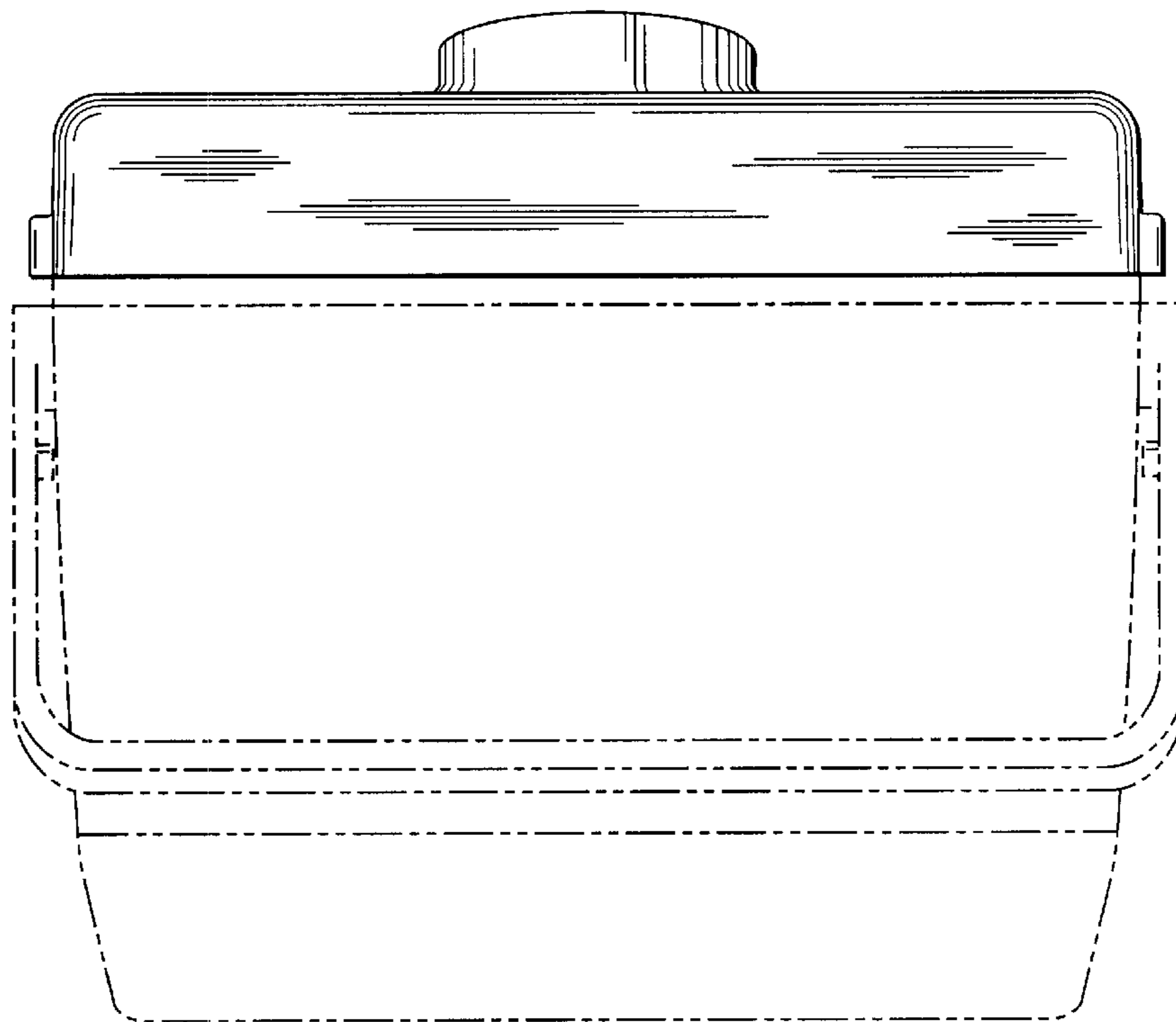


Fig. 7

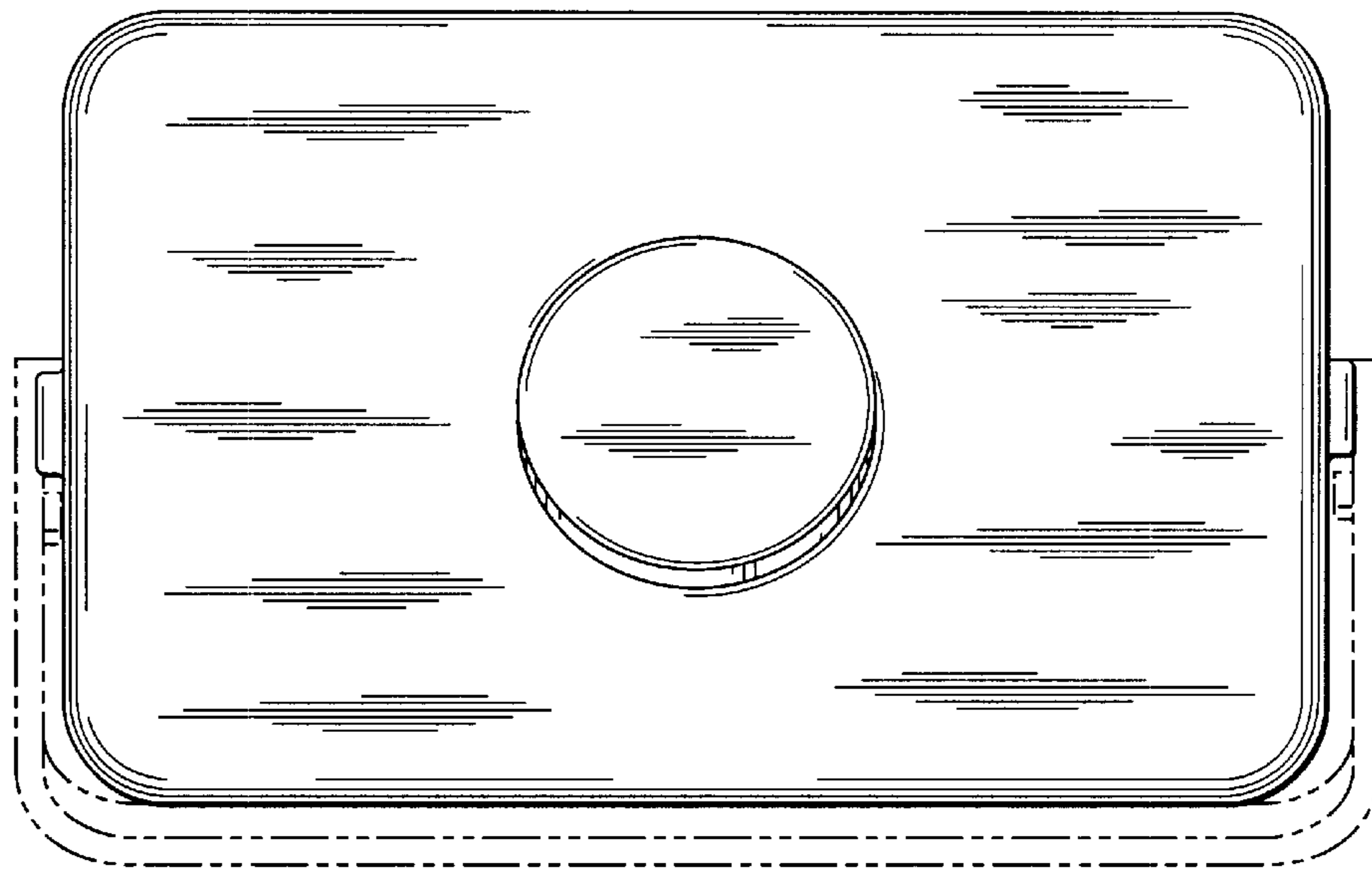


Fig. 8

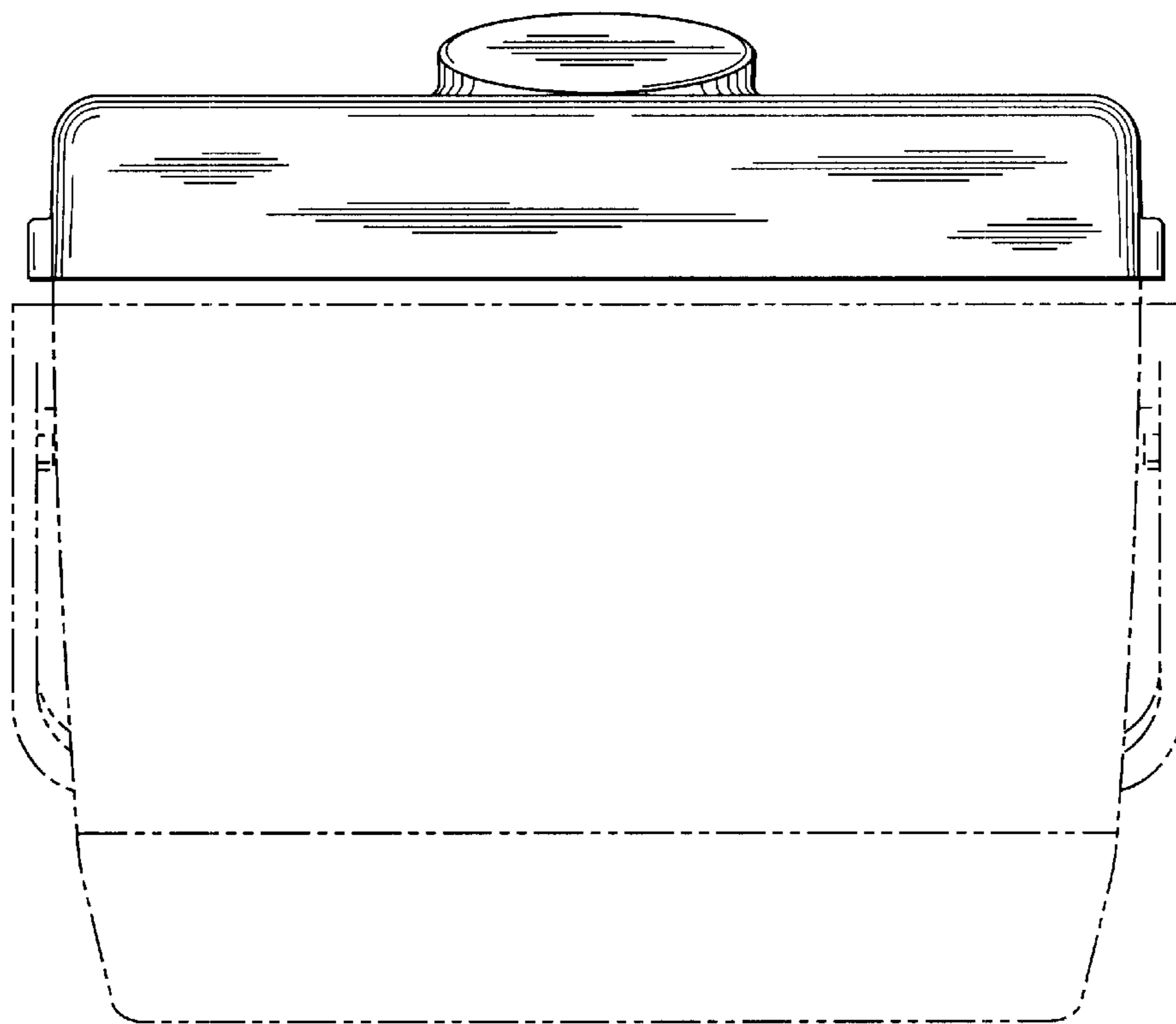


Fig. 9

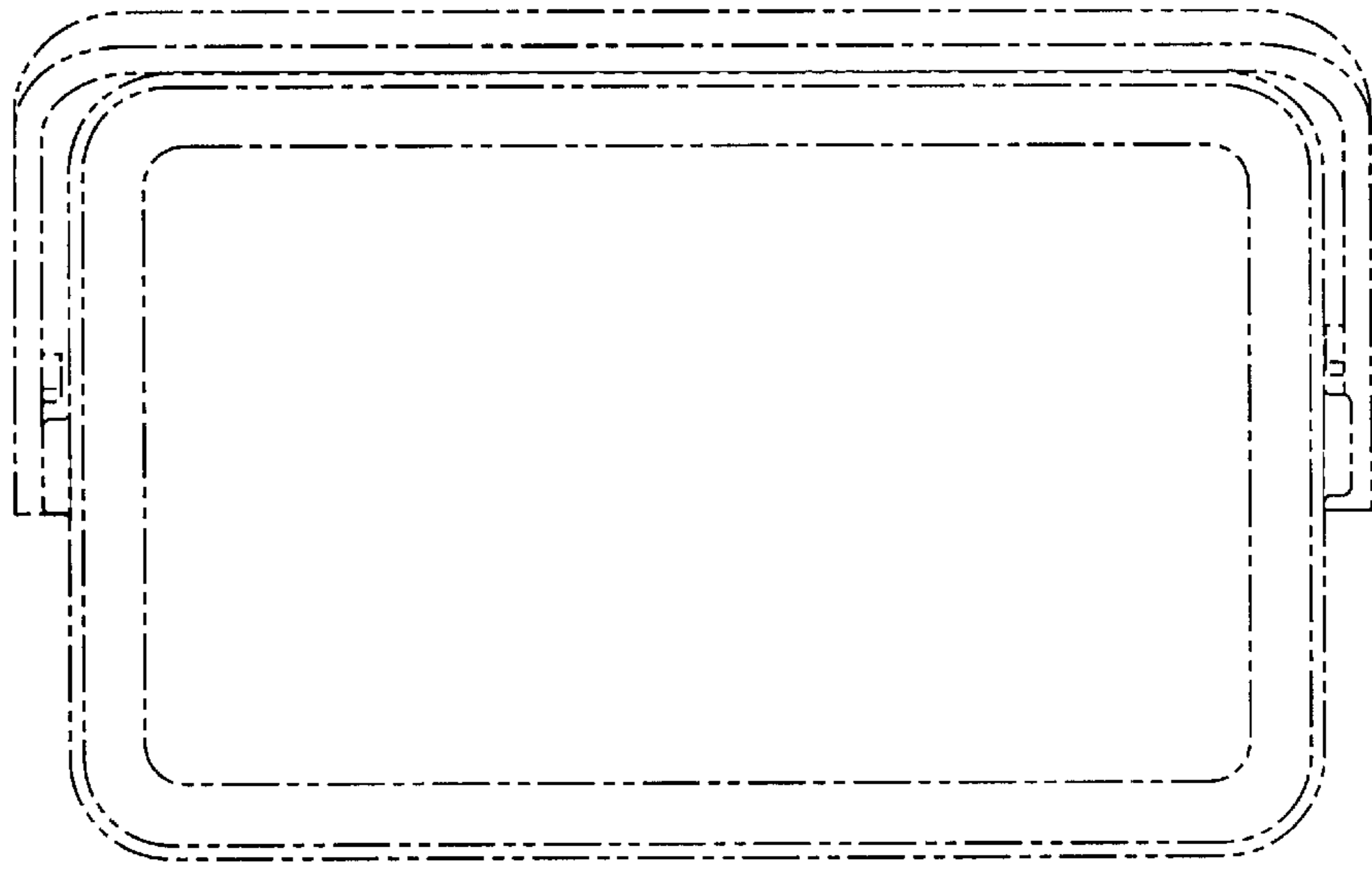


Fig. 10

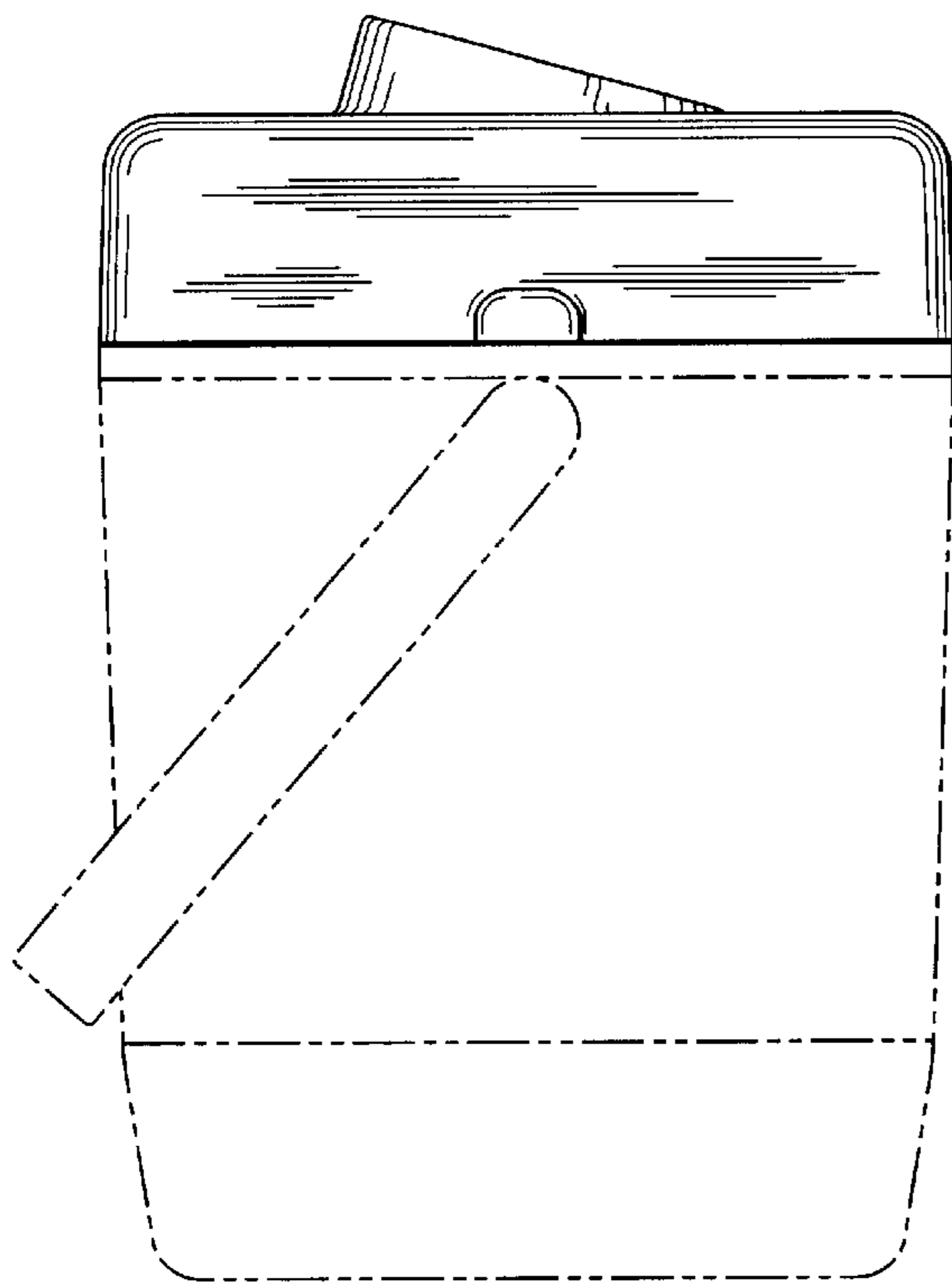


Fig. 11

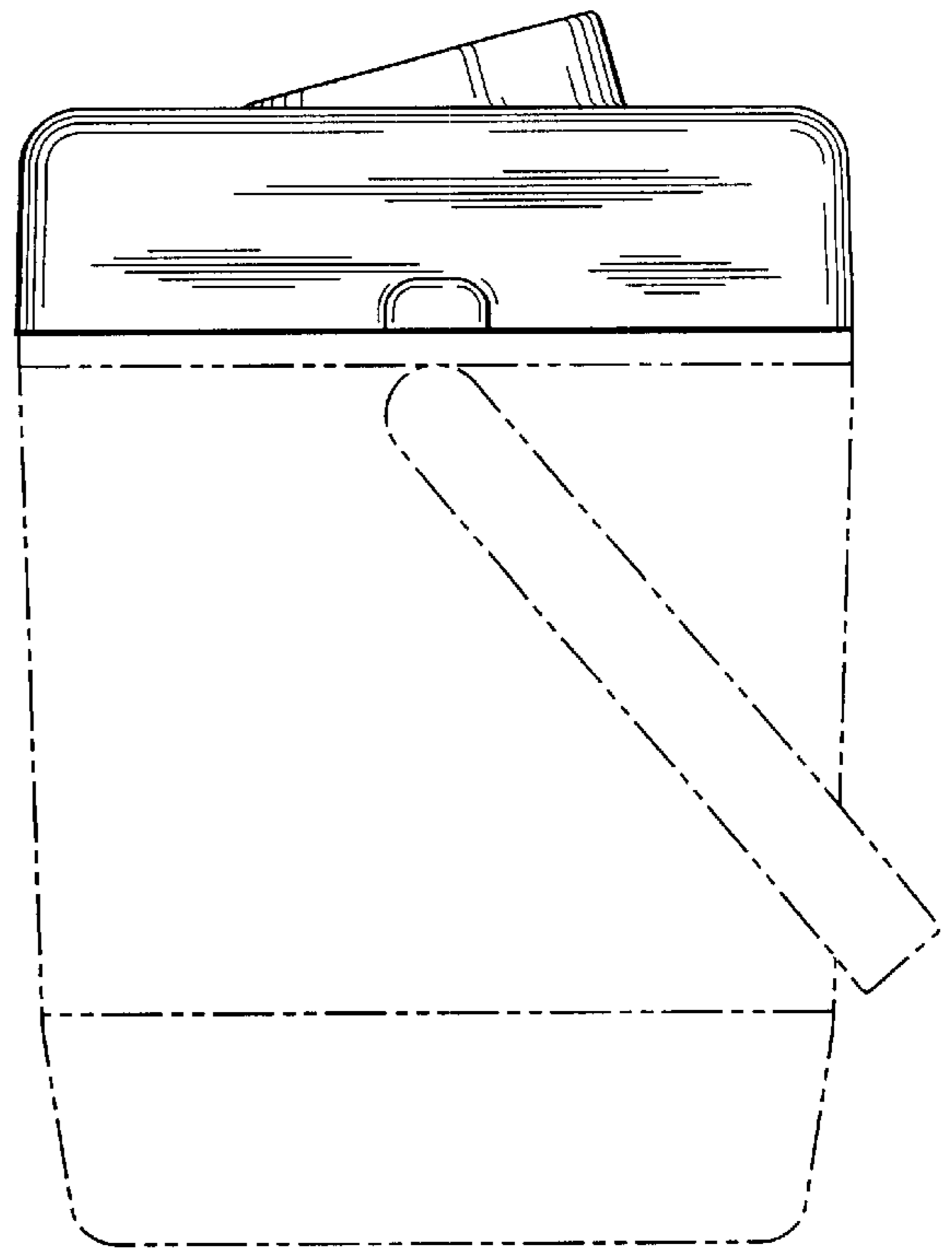


Fig. 12