



US00D475575S

(12) **United States Design Patent**
Mendenhall

(10) **Patent No.:** **US D475,575 S**

(45) **Date of Patent:** **** Jun. 10, 2003**

(54) **SWING BLADE FOR A POTATO PROCESSOR**

2002/0144409 A1 * 10/2002 Chen 30/299

* cited by examiner

(76) Inventor: **George A. Mendenhall**, 4252 S. Eagleson Rd., Boise, ID (US) 83705

Primary Examiner—Caron D. Veynar
(74) *Attorney, Agent, or Firm*—Frank J. Dykas; Robert L. Shaver; Stephen M. Nipper

(**) Term: **14 Years**

(57) **CLAIM**

(21) Appl. No.: **29/150,590**

The ornamental design for a swing blade for a potato processor, as shown and described.

(22) Filed: **Nov. 21, 2001**

(51) **LOC (7) Cl.** **31-00**

DESCRIPTION

(52) **U.S. Cl.** **D7/412; D8/20**

FIG. 1 is a perspective representational view of the swing blade for a potato processor;

(58) **Field of Search** D7/381, 412, 649, D7/693, 695, 696; D8/20, 98; 30/1, 172, 276, 299, 300, 346, 357; 56/255, 295; 81/181; 83/185, 187, 300-302, 353, 432, 679, 698.11, 857, 862

FIG. 2 is a top plan view, of the swing blade for a potato processor;

FIG. 3 is a first side view of the swing blade for a potato processor;

(56) **References Cited**

U.S. PATENT DOCUMENTS

- 2,011,910 A * 8/1935 Robbins 294/49
- 4,766,793 A * 8/1988 Fischer et al. 83/698.11
- 5,095,794 A * 3/1992 Mendenhall 83/858
- 5,125,308 A * 6/1992 Mendenhall 83/857
- D392,841 S * 3/1998 Chastaine D7/412
- 6,112,416 A * 9/2000 Bridges et al. 30/276

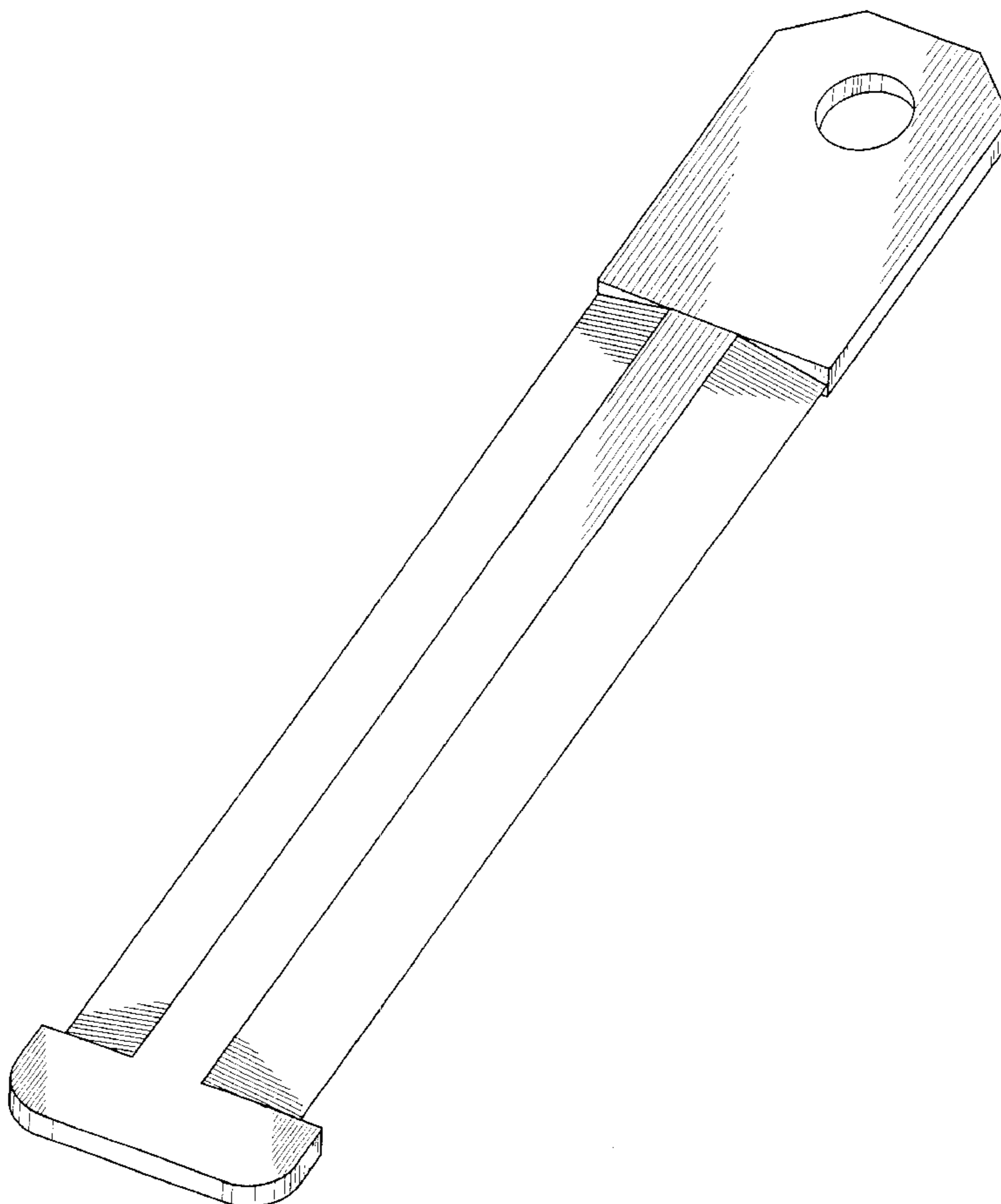
FIG. 4 is a bottom plan view of the swing blade for a potato processor;

FIG. 5 is a second side view of the swing blade for a potato processor;

FIG. 6 is a first end view of the swing blade for a potato processor; and,

FIG. 7 is a second end view of the swing blade for a potato processor.

1 Claim, 6 Drawing Sheets



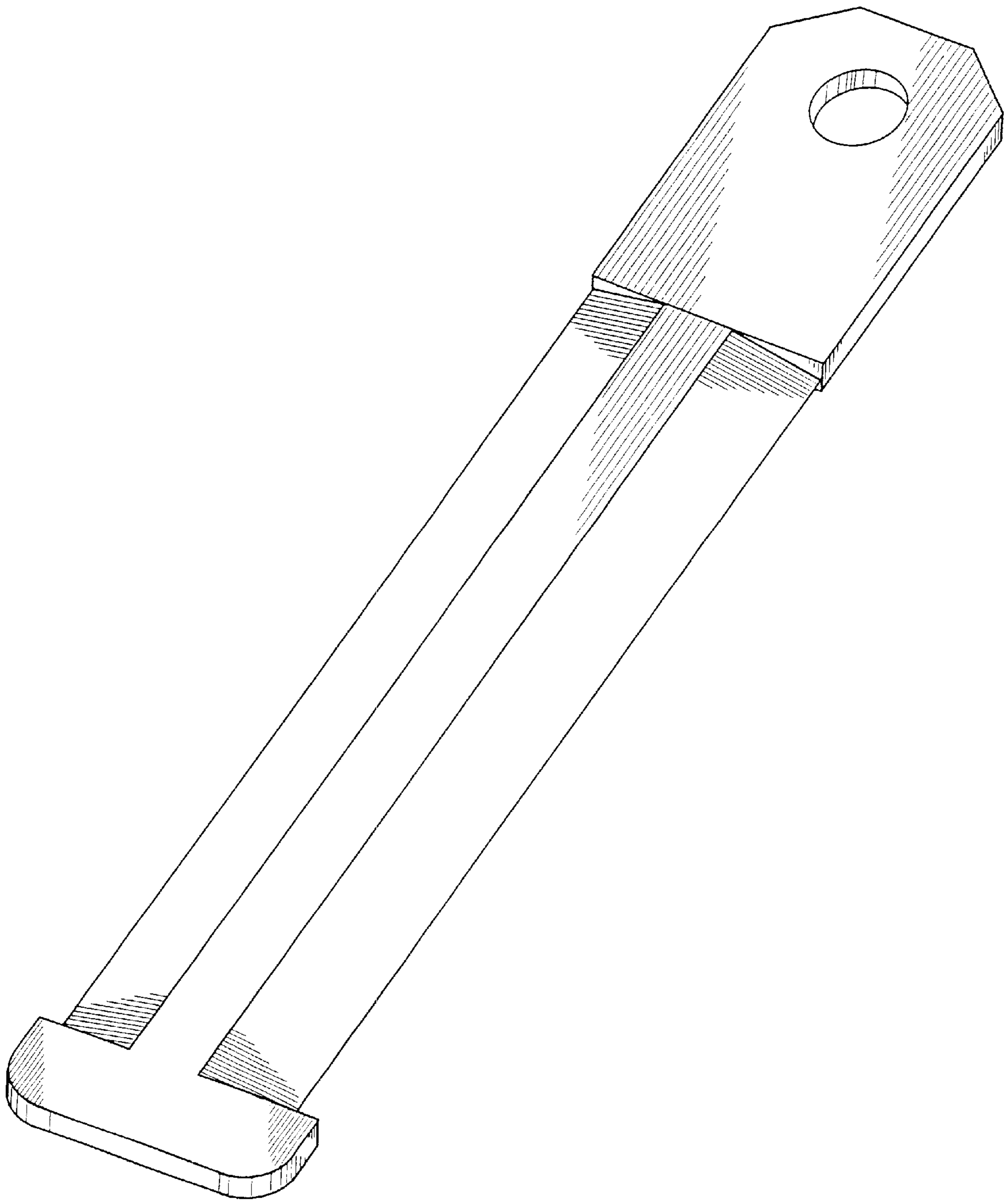


Fig. 1

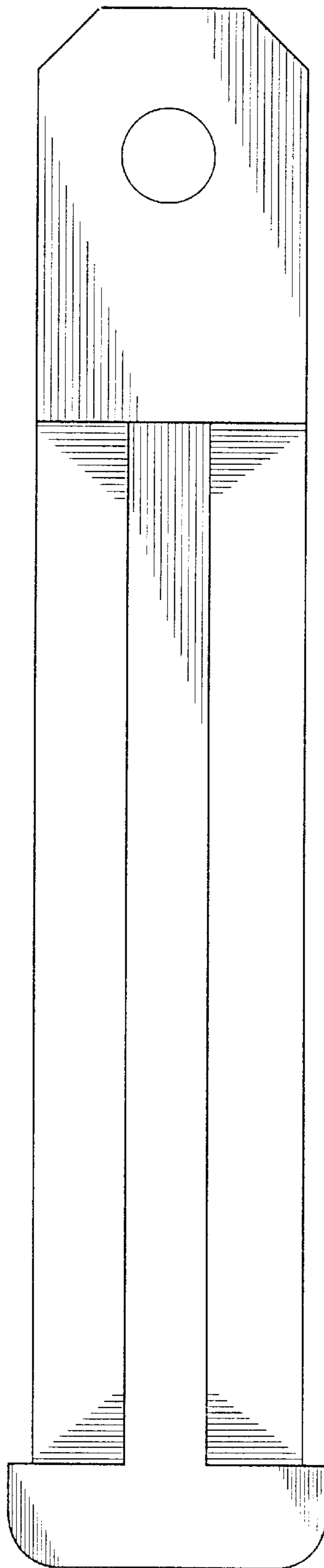


Fig. 2



Fig. 3

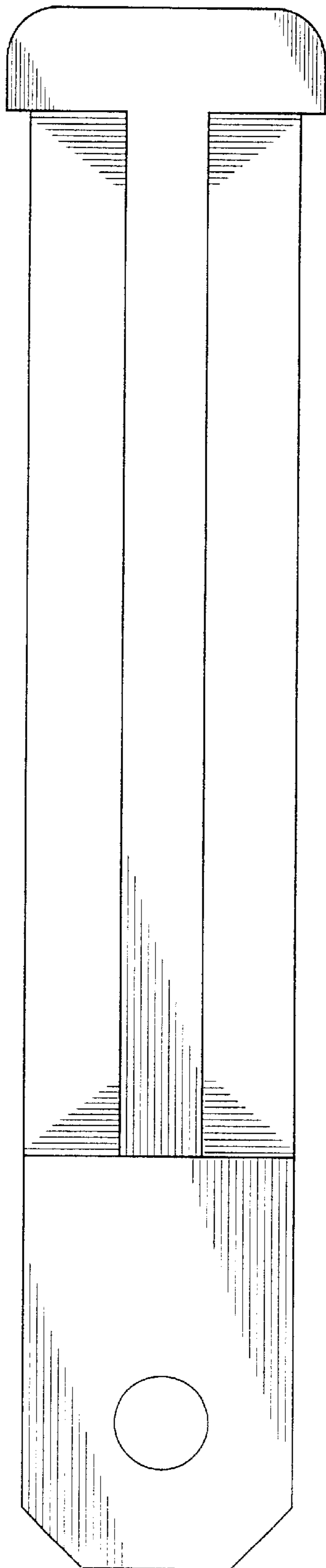


Fig. 4



Fig. 5



Fig. 6



Fig. 7