



US00D475572S

(12) **United States Design Patent**
Black

(10) **Patent No.:** **US D475,572 S**

(45) **Date of Patent:** **** Jun. 10, 2003**

(54) **COMBINATION MIXER AND BLENDER**

(76) Inventor: **Leslie L. Black**, 3023 S. Pika Dr., West Valley, UT (US) 84128

(**) Term: **14 Years**

(21) Appl. No.: **29/165,808**

(22) Filed: **Aug. 16, 2002**

(51) **LOC (7) Cl.** **31-00**

(52) **U.S. Cl.** **D7/386**

(58) **Field of Search** D7/376-386; 366/64-67, 366/197-207, 241-251, 341, 349; 241/30, 33, 36, 101.01, 282.1, 282.2

(56) **References Cited**

U.S. PATENT DOCUMENTS

D256,318 S	*	8/1980	Levin	D7/384
D272,120 S	*	1/1984	Sawada et al.	D7/384
D297,901 S	*	10/1988	Barrault	D7/384
5,071,077 A	*	12/1991	Arroubi et al.	241/36
D349,422 S	*	8/1994	Kaneko	D7/376
D350,451 S	*	9/1994	Dickson	D7/384

* cited by examiner

Primary Examiner—Caron D. Veynar

(74) *Attorney, Agent, or Firm*—Holme Roberts & Owen

(57) **CLAIM**

The ornamental design for a combination mixer and blender, as shown and described.

DESCRIPTION

FIG. 1 is a front perspective view of a combination mixer and blender showing my new design, the broken line showing of a mixing bowl and blender container are for illustrative purposes only and form no part of the claimed design; FIG. 2 is a front view of the combination mixer and blender of FIG. 1;

FIG. 3 is a back view of the combination mixer and blender of FIG. 1;

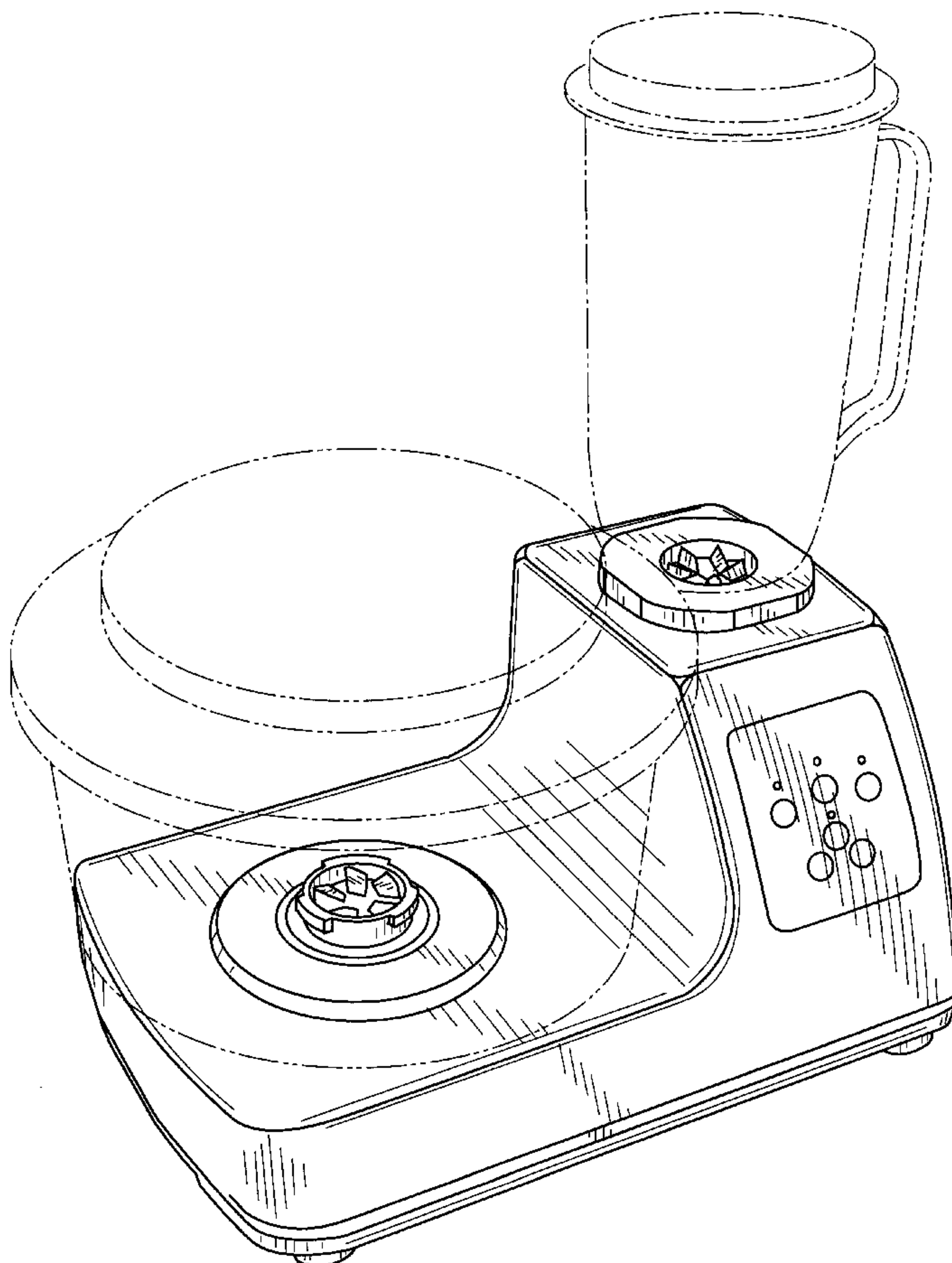
FIG. 4 is one side view of the combination mixer and blender of FIG. 1;

FIG. 5 is another side view of the combination mixer and blender of FIG. 1;

FIG. 6 is a top plan view of the combination mixer and blender of FIG. 1; and,

FIG. 7 is a bottom plan view of the combination mixer and blender of FIG. 1.

1 Claim, 4 Drawing Sheets



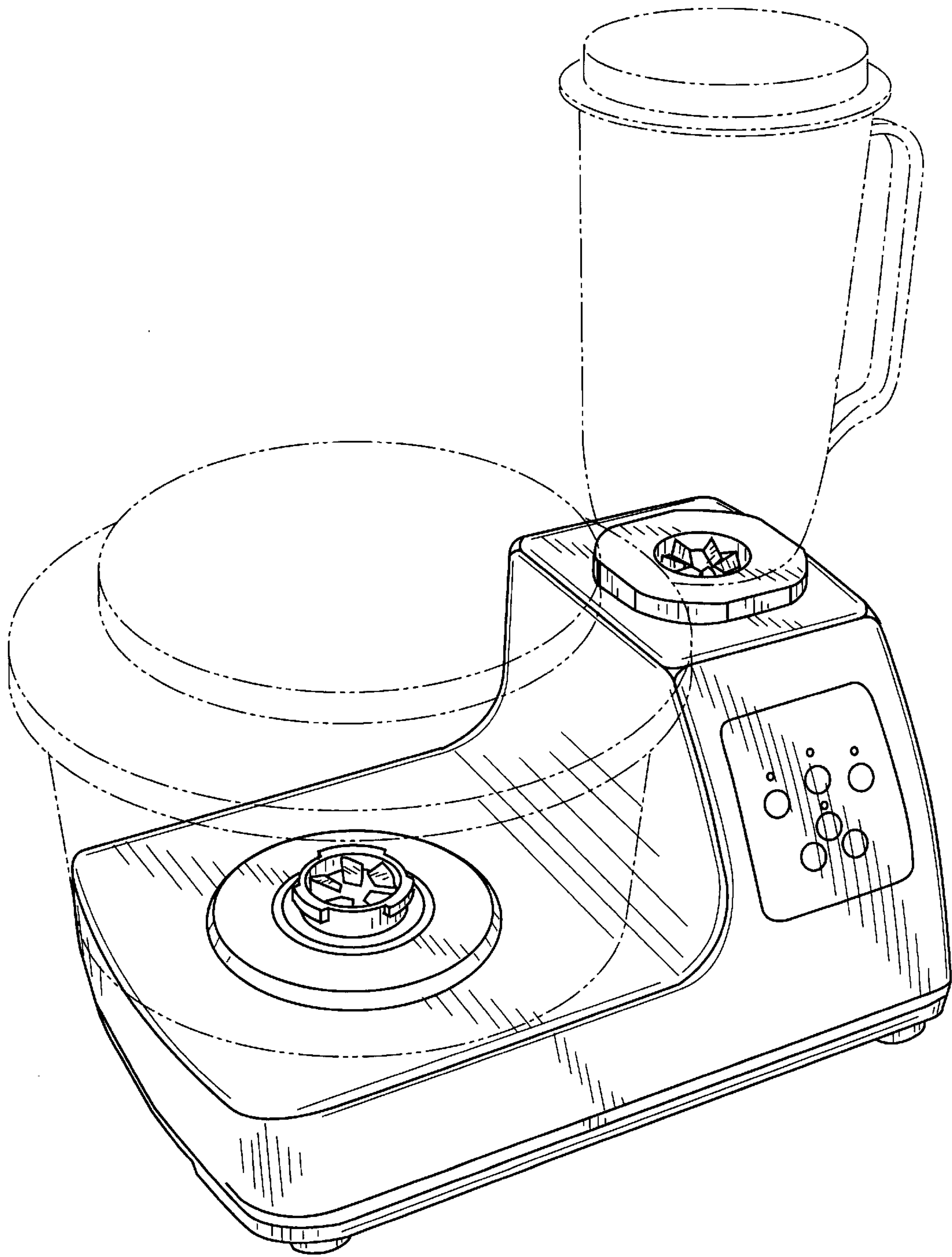


FIG. 1

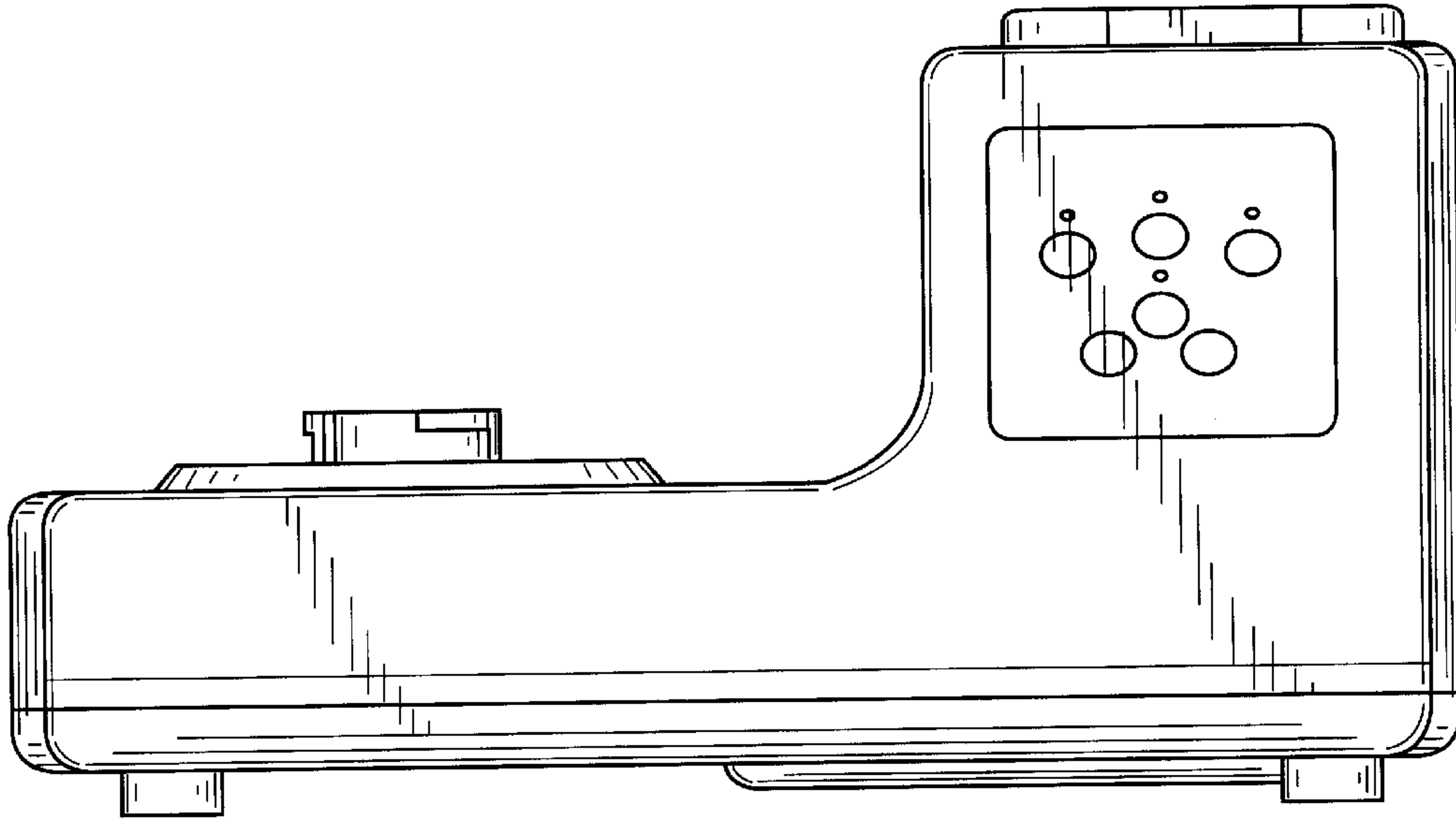


FIG. 2

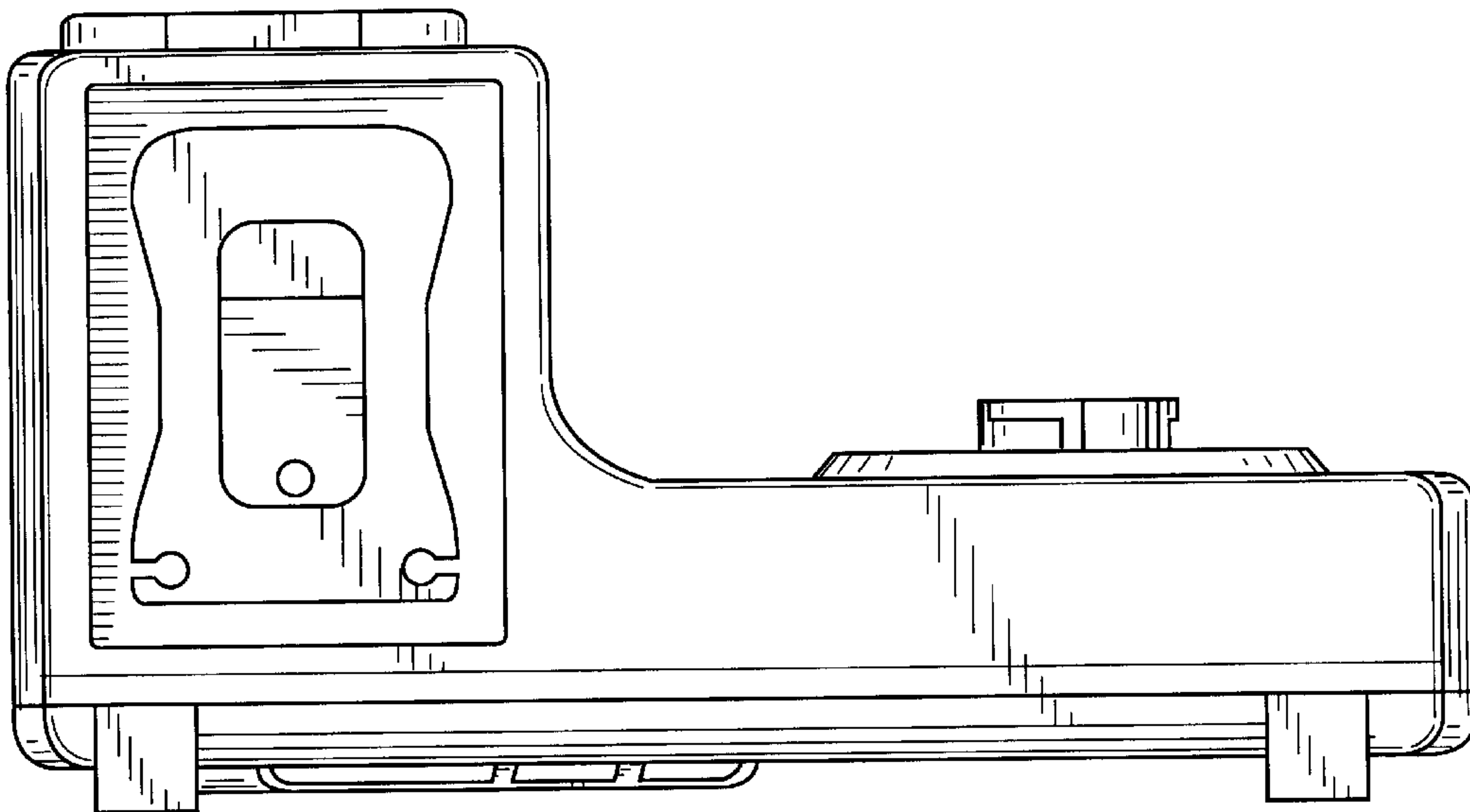


FIG. 3

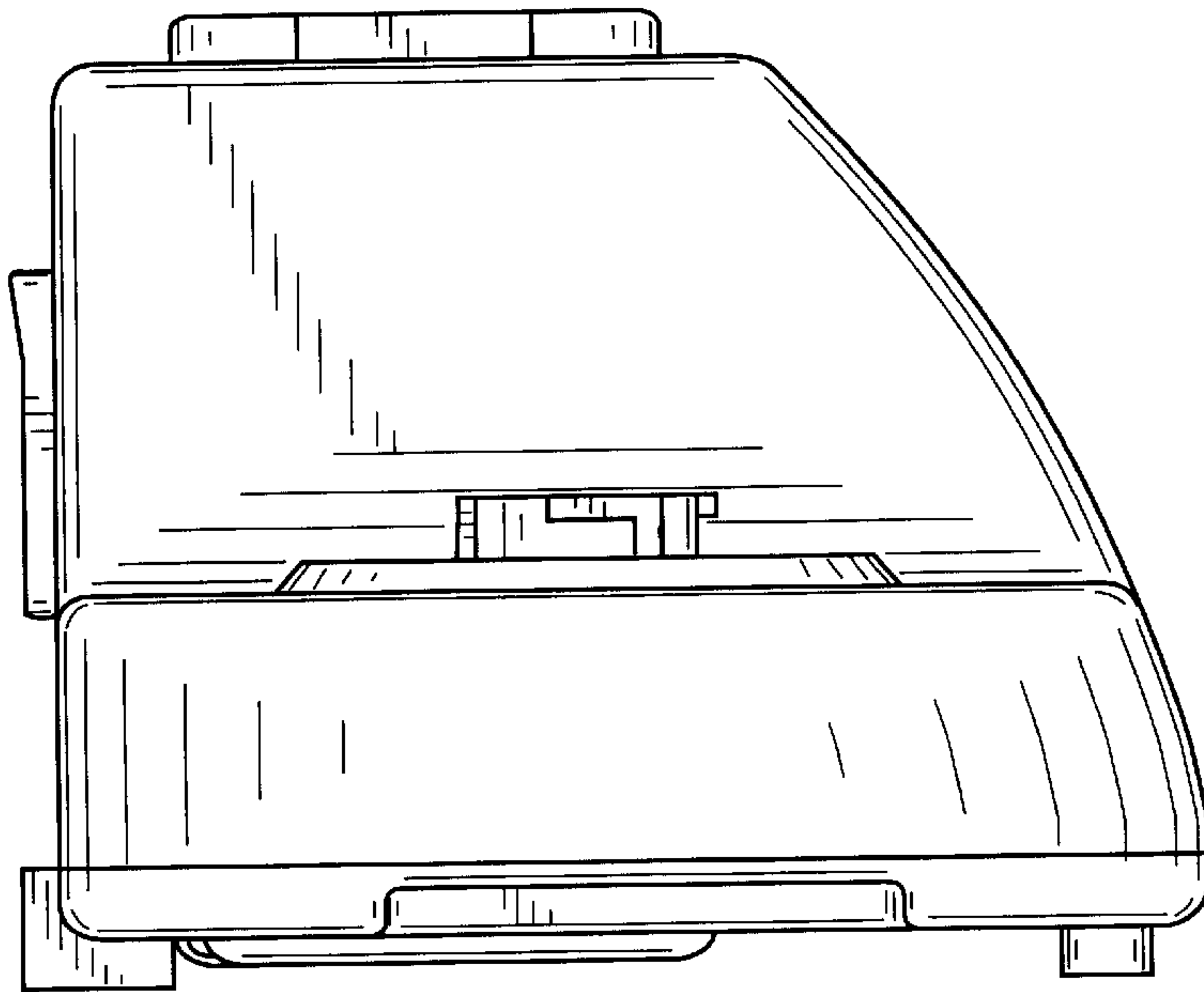


FIG. 4

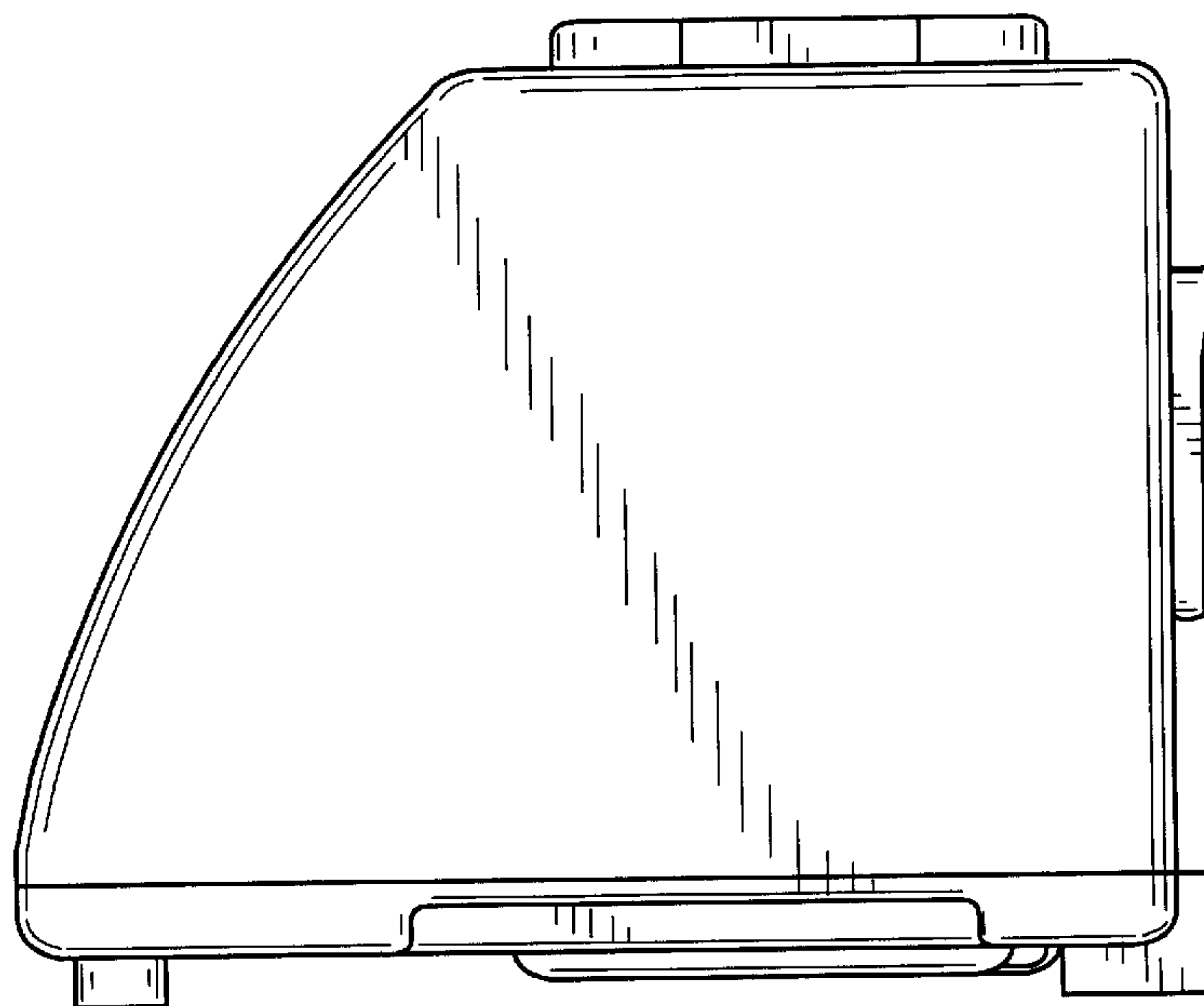


FIG. 5

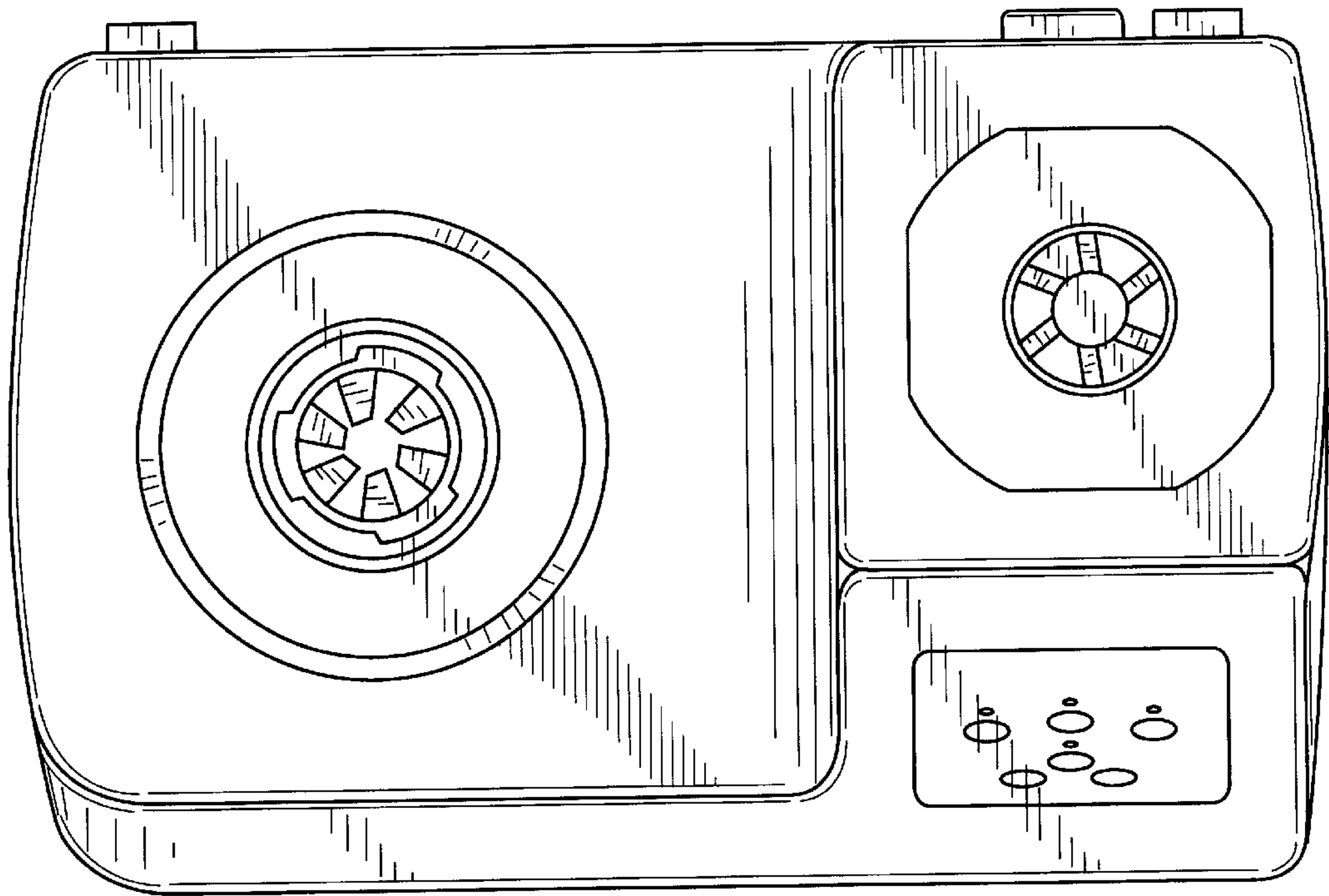


FIG. 6

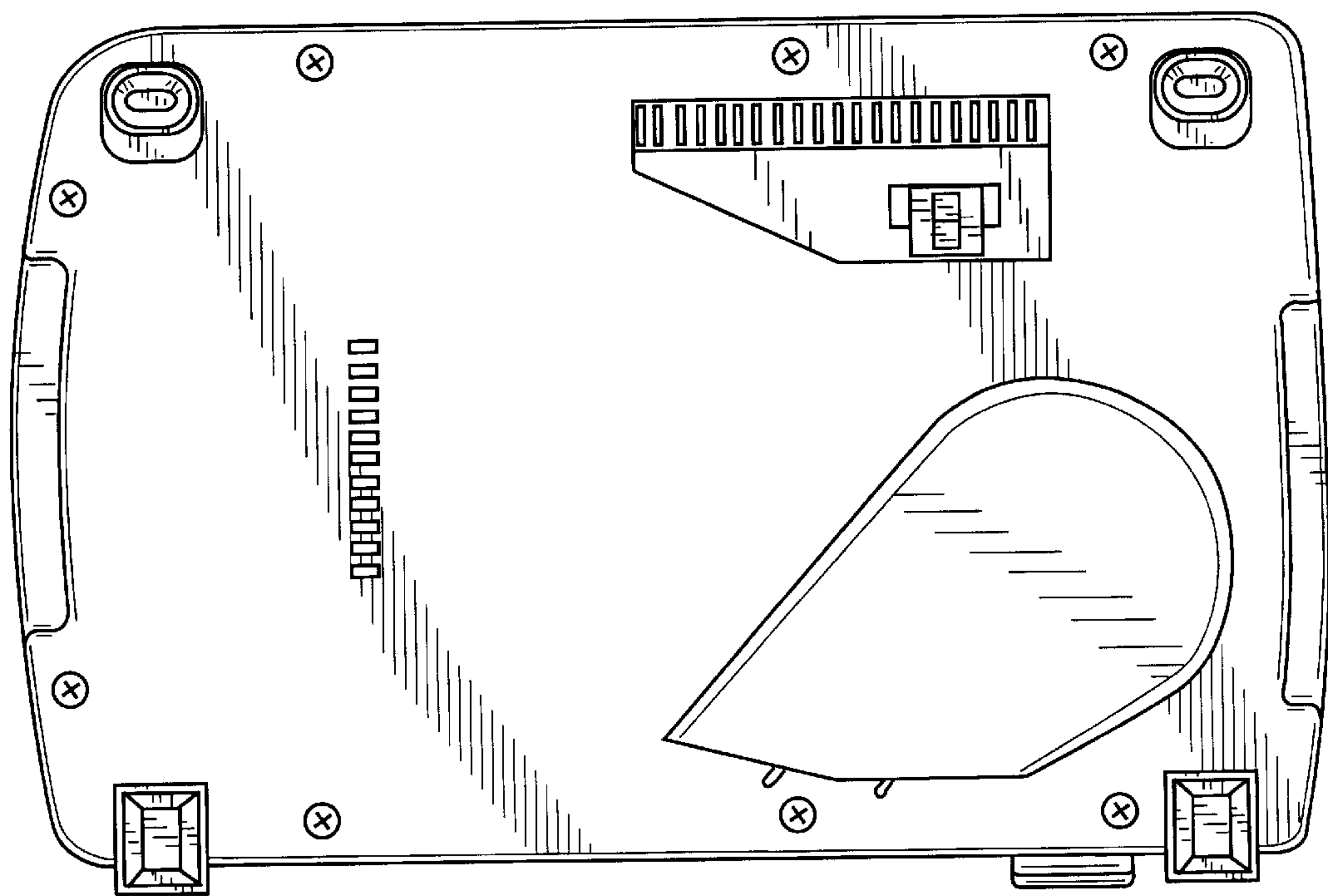


FIG. 7