



US00D475570S

(12) **United States Design Patent**
Josancy

(10) **Patent No.:** **US D475,570 S**

(45) **Date of Patent:** **** Jun. 10, 2003**

(54) **FRYER**

(75) **Inventor:** **Luc Josancy, Sainte Colombe (FR)**

(73) **Assignee:** **SEB, Selongey (FR)**

(**) **Term:** **14 Years**

(21) **Appl. No.:** **29/154,100**

(22) **Filed:** **Jan. 18, 2002**

(30) **Foreign Application Priority Data**

Jul. 18, 2001 (FR) 01 4367

(51) **LOC (7) Cl.** **07-02**

(52) **U.S. Cl.** **D7/354**

(58) **Field of Search** D7/323, 354-361;
99/331, 336, 403, 410-413; 219/429-432,
438, 440

(56) **References Cited**

U.S. PATENT DOCUMENTS

D422,447 S * 4/2000 Josancy D7/354

D423,277 S * 4/2000 Josancy D7/354

D436,795 S * 1/2001 Martres et al. D7/354

D452,795 S * 1/2002 Johnson et al. D7/354

* cited by examiner

Primary Examiner—Caron D. Veynar

(74) *Attorney, Agent, or Firm*—Browdy and Neimark

(57) **CLAIM**

The ornamental design for a fryer, as shown.

DESCRIPTION

FIG. 1 is a front elevational view of a fryer in accordance with the present design;

FIG. 2 is a back elevational view thereof;

FIG. 3 is a left elevational view thereof;

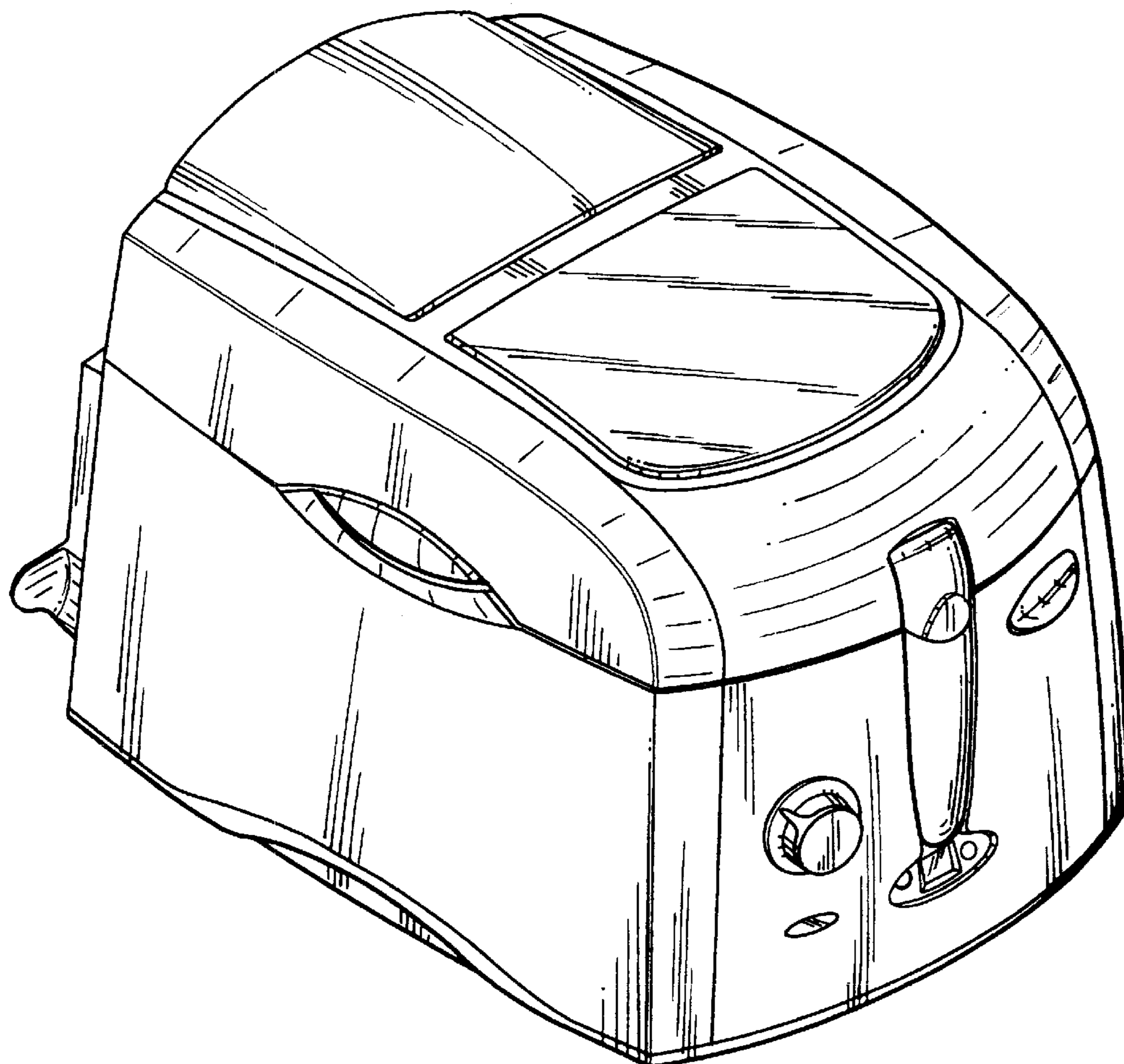
FIG. 4 is a right elevational view thereof;

FIG. 5 is a top plan view thereof;

FIG. 6 is a bottom plan view thereof; and,

FIG. 7 is a perspective view thereof.

1 Claim, 7 Drawing Sheets



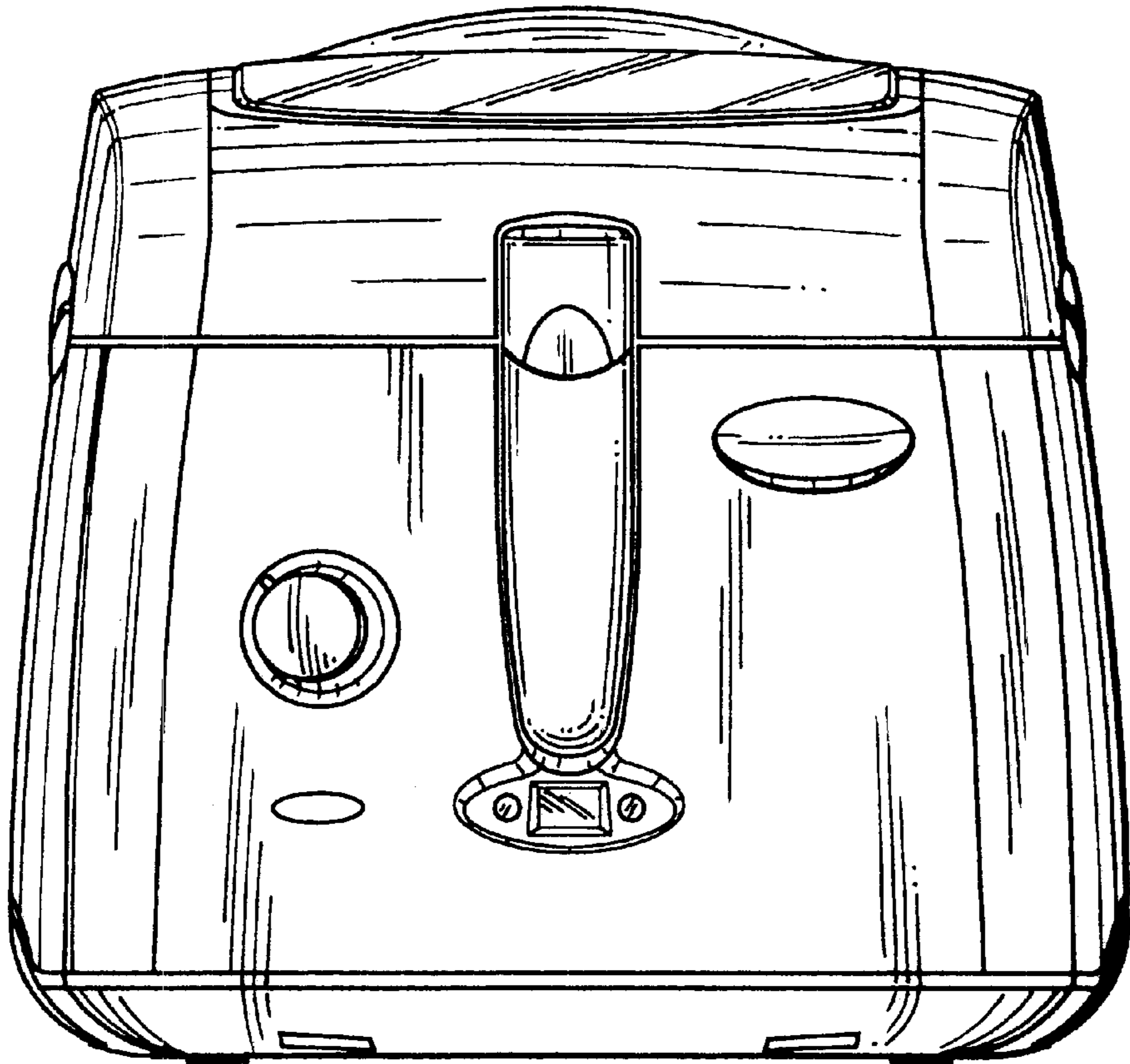


Figure 1

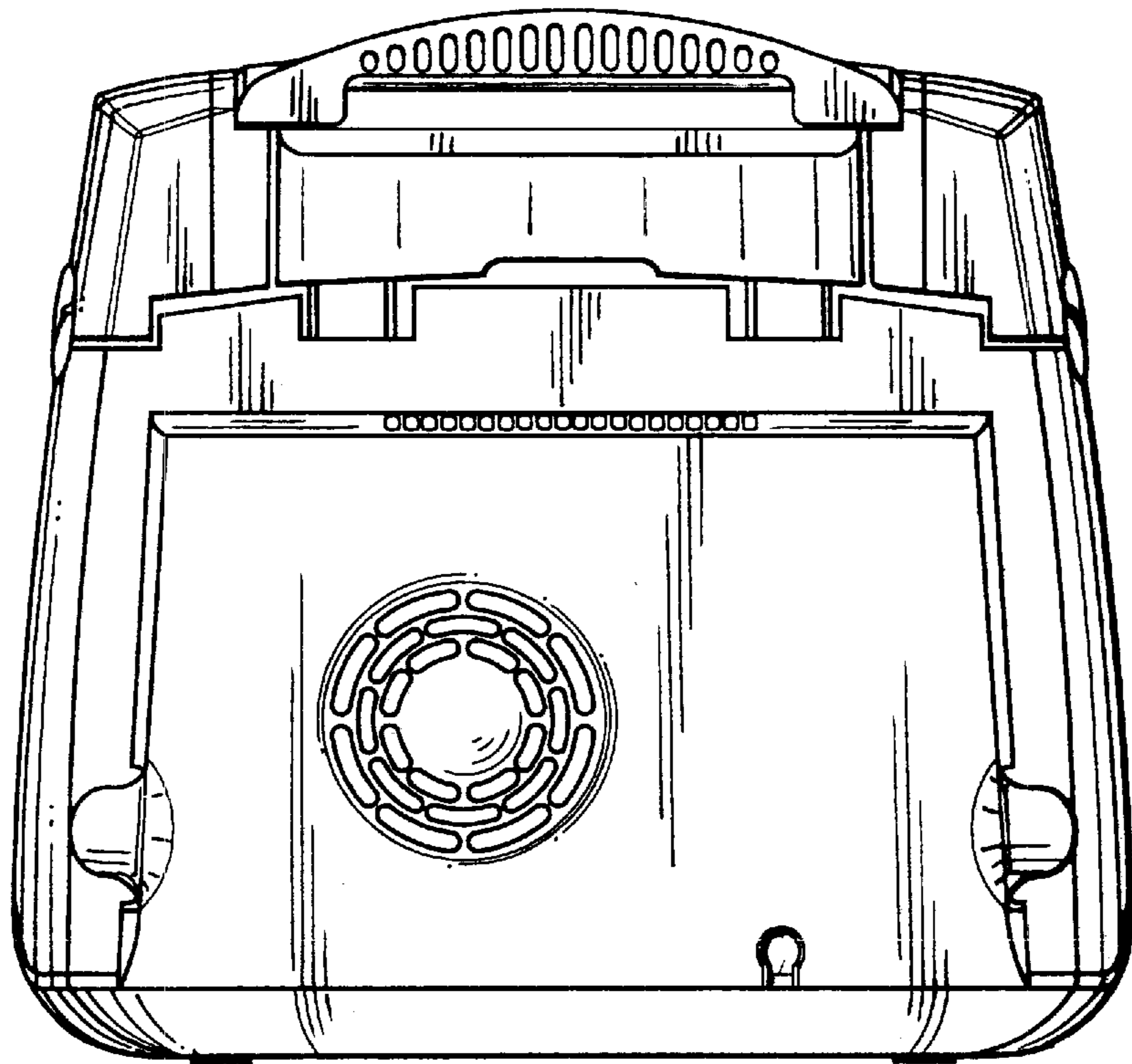


Figure 2

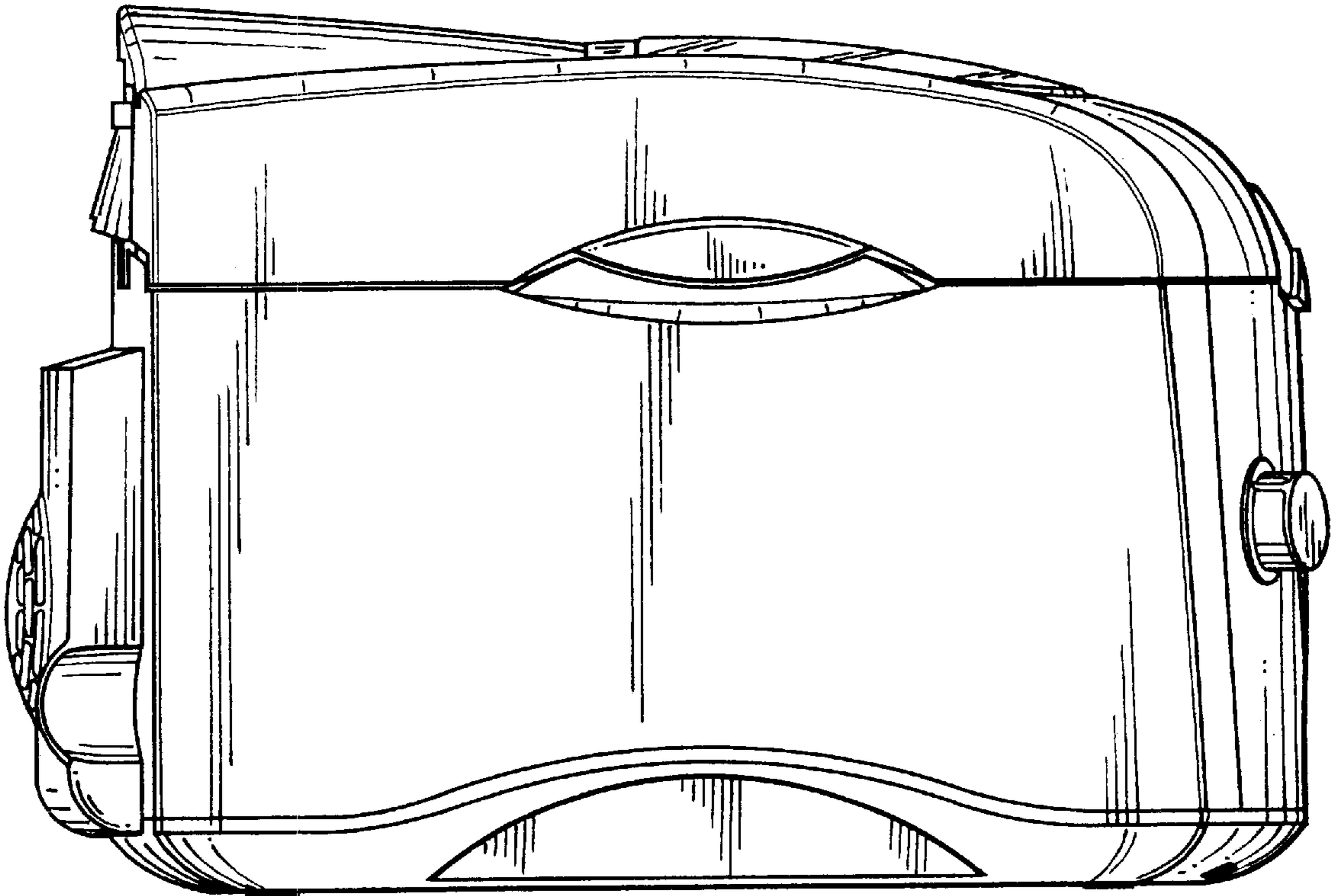


Figure 3

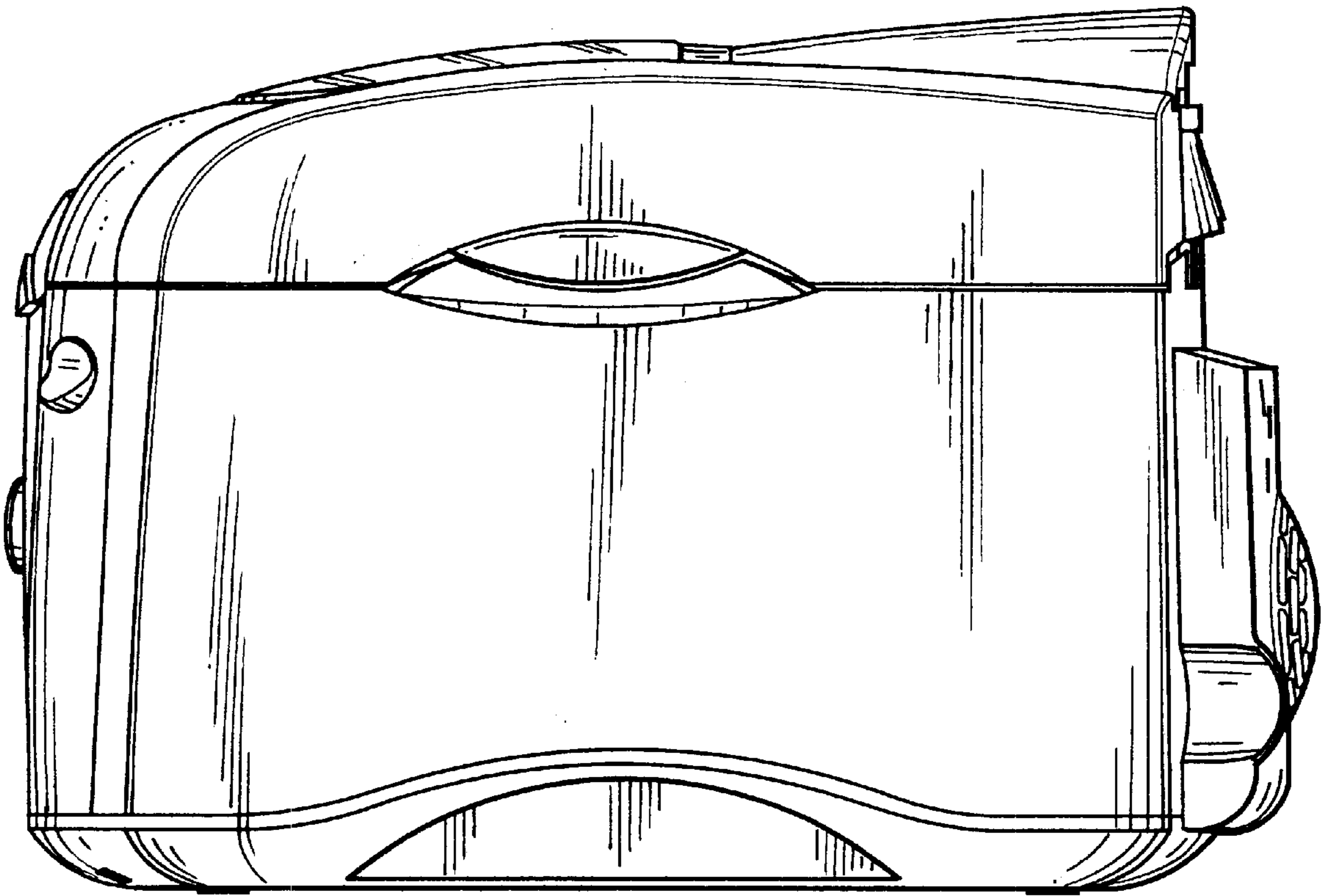


Figure 4

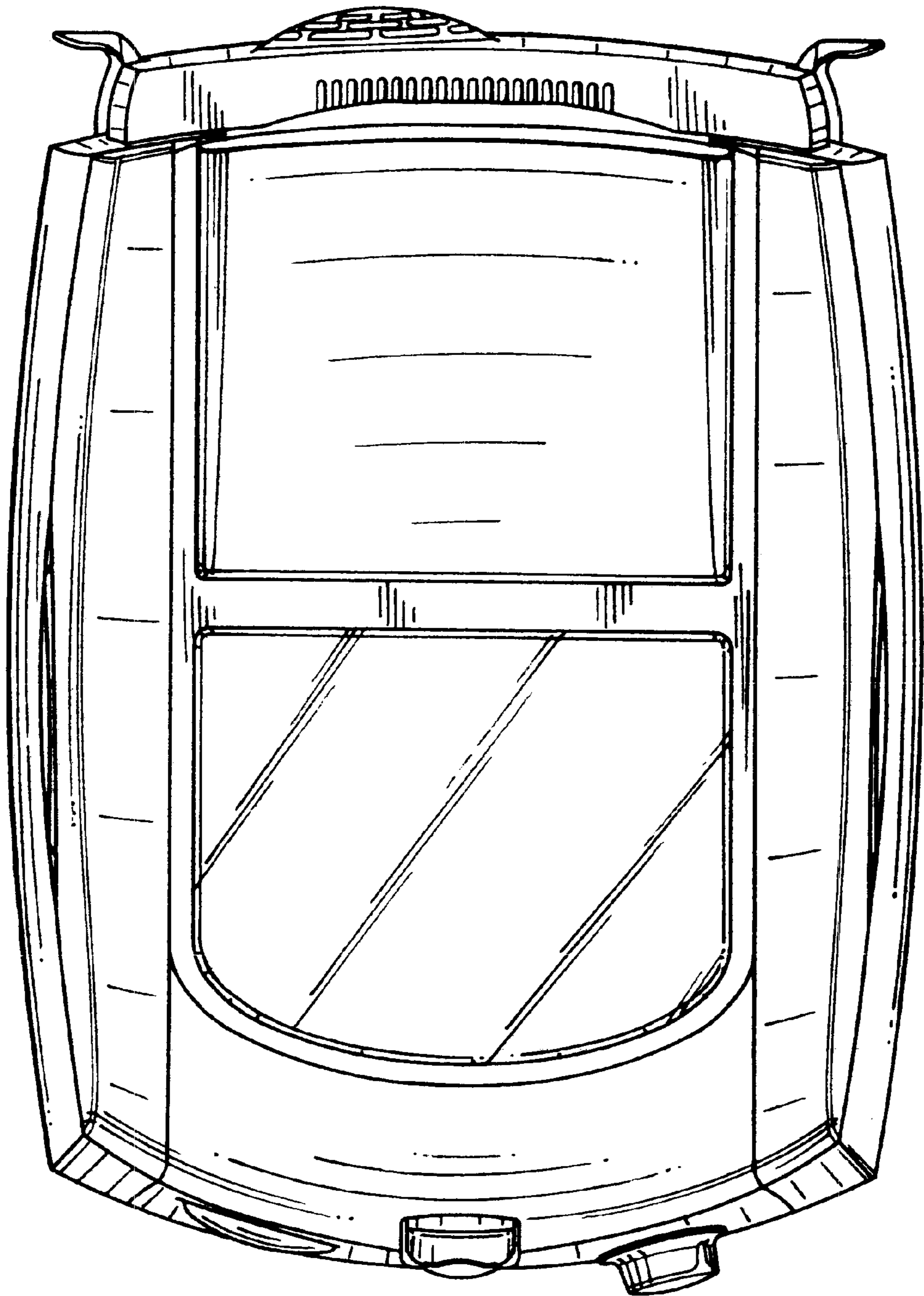


Figure 5

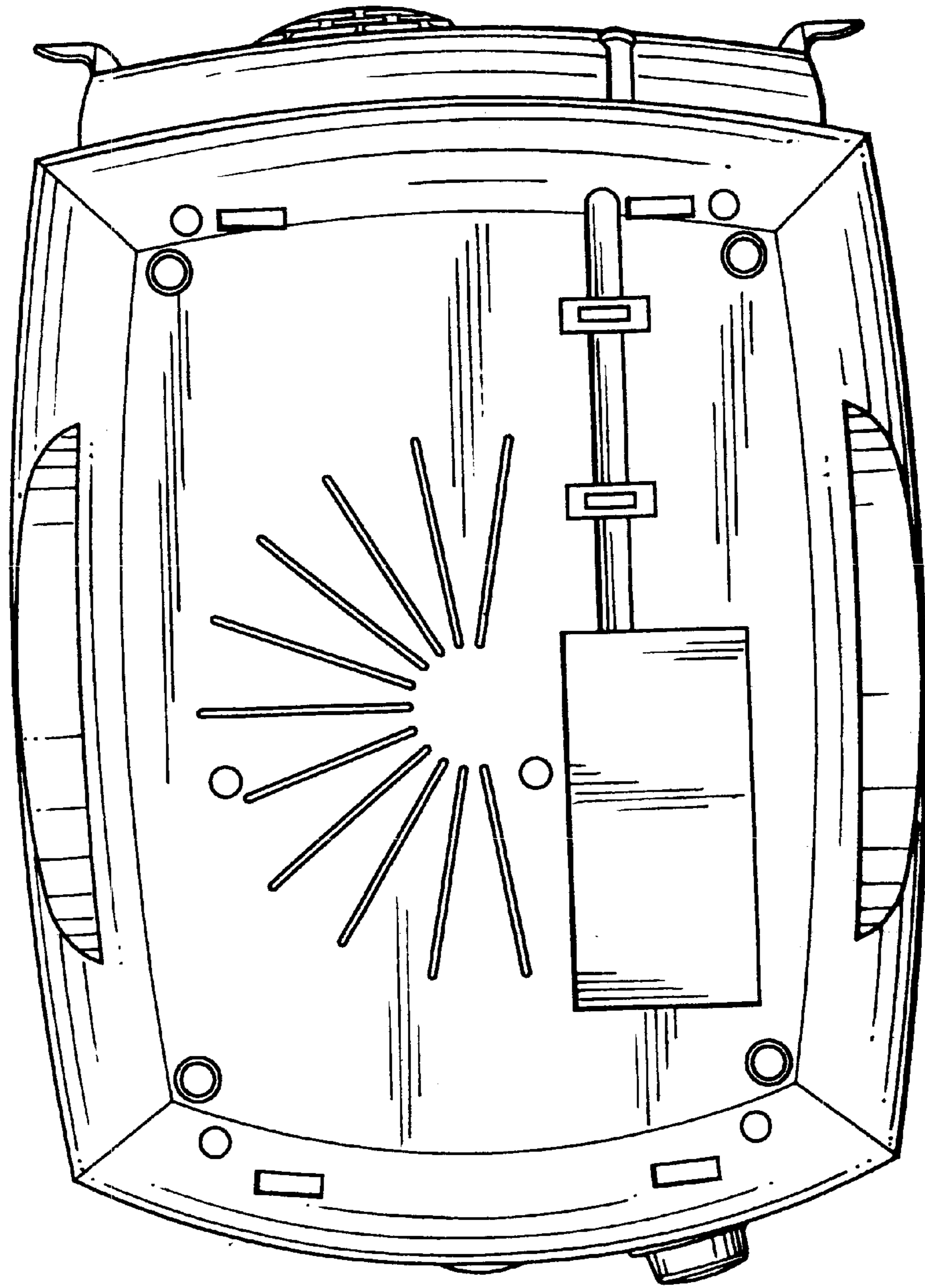


Figure 6

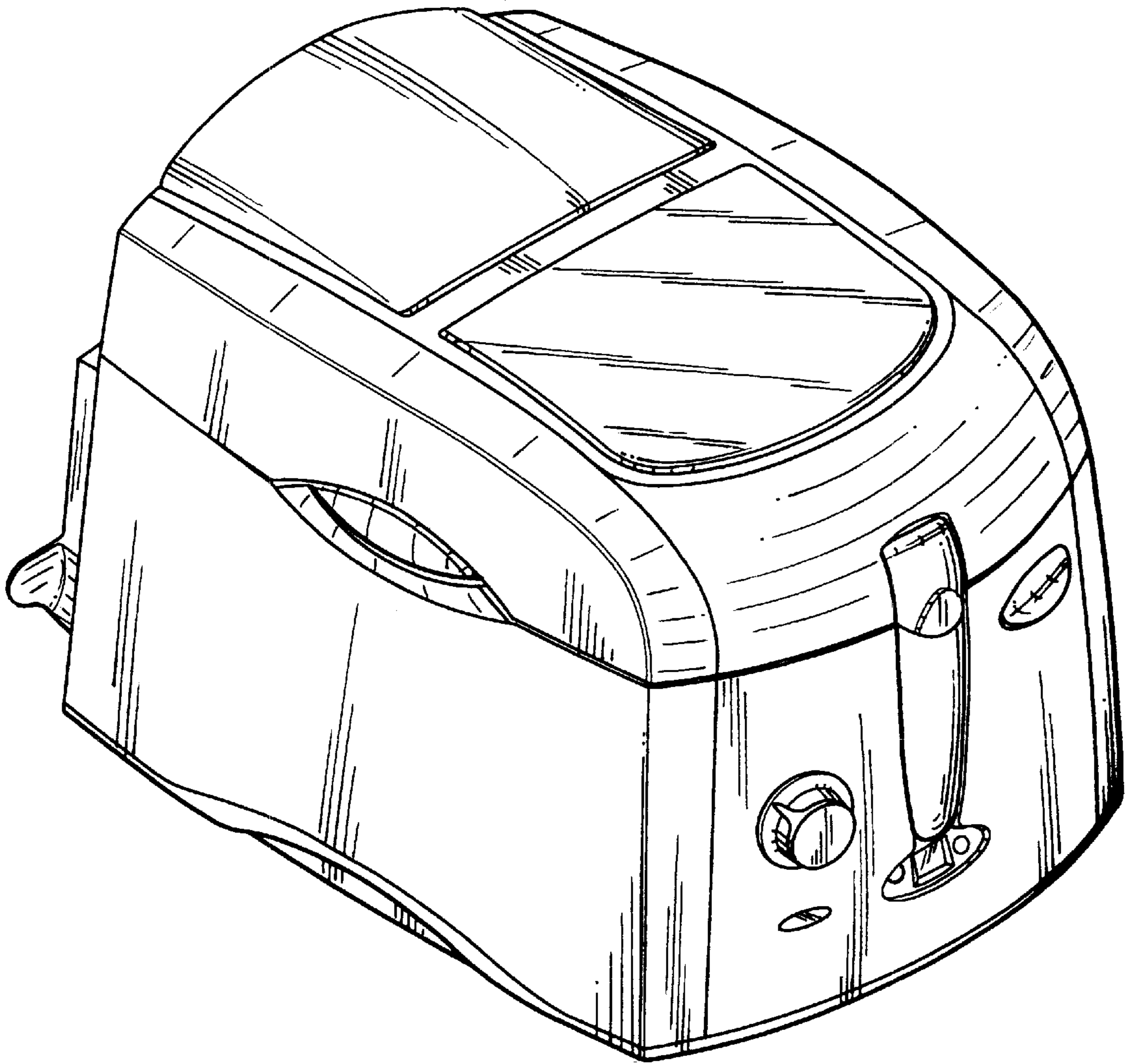


Figure 7