



US00D475564S

(12) **United States Design Patent**
McCurrach et al.

(10) **Patent No.:** **US D475,564 S**
(45) **Date of Patent:** **** Jun. 10, 2003**

(54) **WALLMOUNT FOR TOOTHBRUSH**

(75) Inventors: **Jamie McCurrach**, Groningen (NL);
Daniel Greene, Seattle, WA (US)

(73) Assignee: **Koninklijke Philips Electronics N.V.**,
Eindhoven (NL)

(**) Term: **14 Years**

(21) Appl. No.: **29/159,924**

(22) Filed: **Apr. 30, 2002**

(51) **LOC (7) Cl.** **23-02**

(52) **U.S. Cl.** **D6/534**

(58) **Field of Search** D6/534-540, 528-529,
D6/531, 524; 248/309.1, 310; 206/361,
362, 362.1, 362.2, 362.3; 211/13.1, 65,
66, 86.01, 87.01

(56) **References Cited**

U.S. PATENT DOCUMENTS

3,371,260 A * 2/1968 Jackson et al. 206/362.1

D303,876 S * 10/1989 Clemens et al. D6/528 X
D321,986 S * 12/1991 Snyder et al. D6/528 X
5,505,301 A * 4/1996 Foley 206/362.2
D417,469 S * 12/1999 Avery et al. D6/528 X
D439,780 S * 4/2001 Azo D6/528

* cited by examiner

Primary Examiner—Brian N. Vinson

(74) *Attorney, Agent, or Firm*—Ernestine C. Bartlett

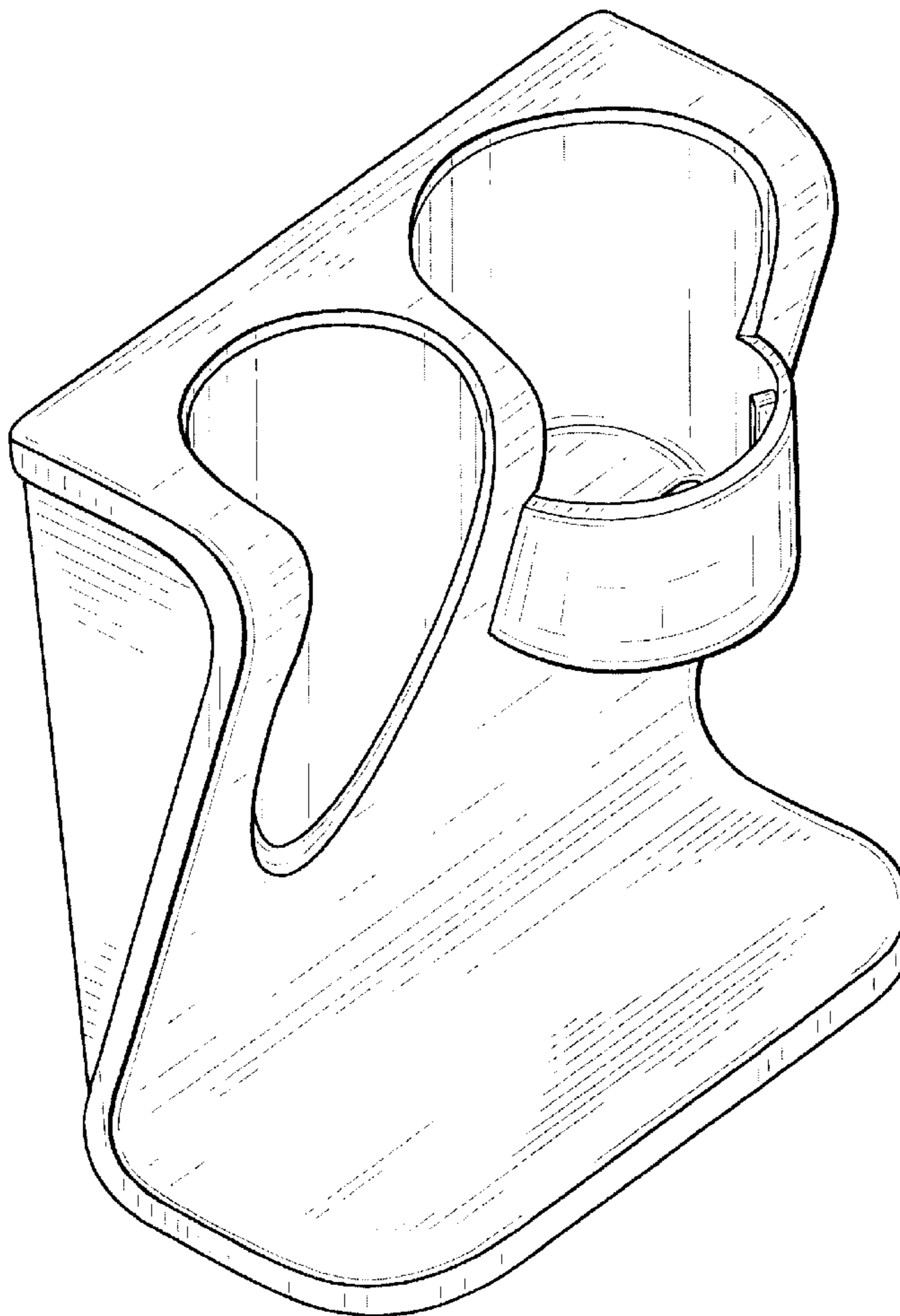
(57) **CLAIM**

The ornamental design for a wallmount for toothbrush, as shown.

DESCRIPTION

FIG. 1 is a perspective view of a wallmount for toothbrush showing our design;
FIG. 2 is a front view thereof;
FIG. 3 is a rear view thereof;
FIG. 4 is a left side view thereof;
FIG. 5 is a top view thereof; and,
FIG. 6 is a bottom view thereof.

1 Claim, 5 Drawing Sheets



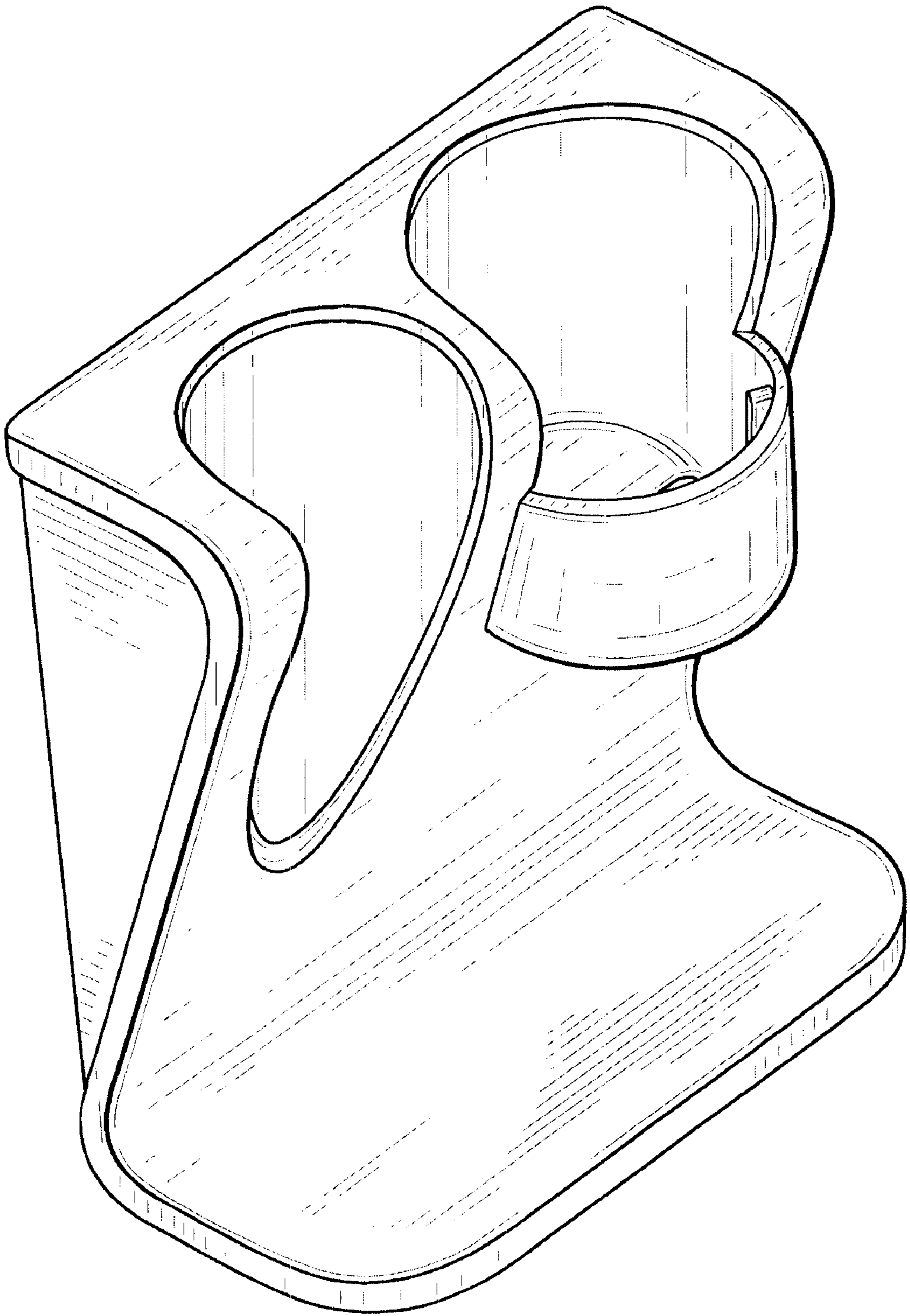


FIG. 1

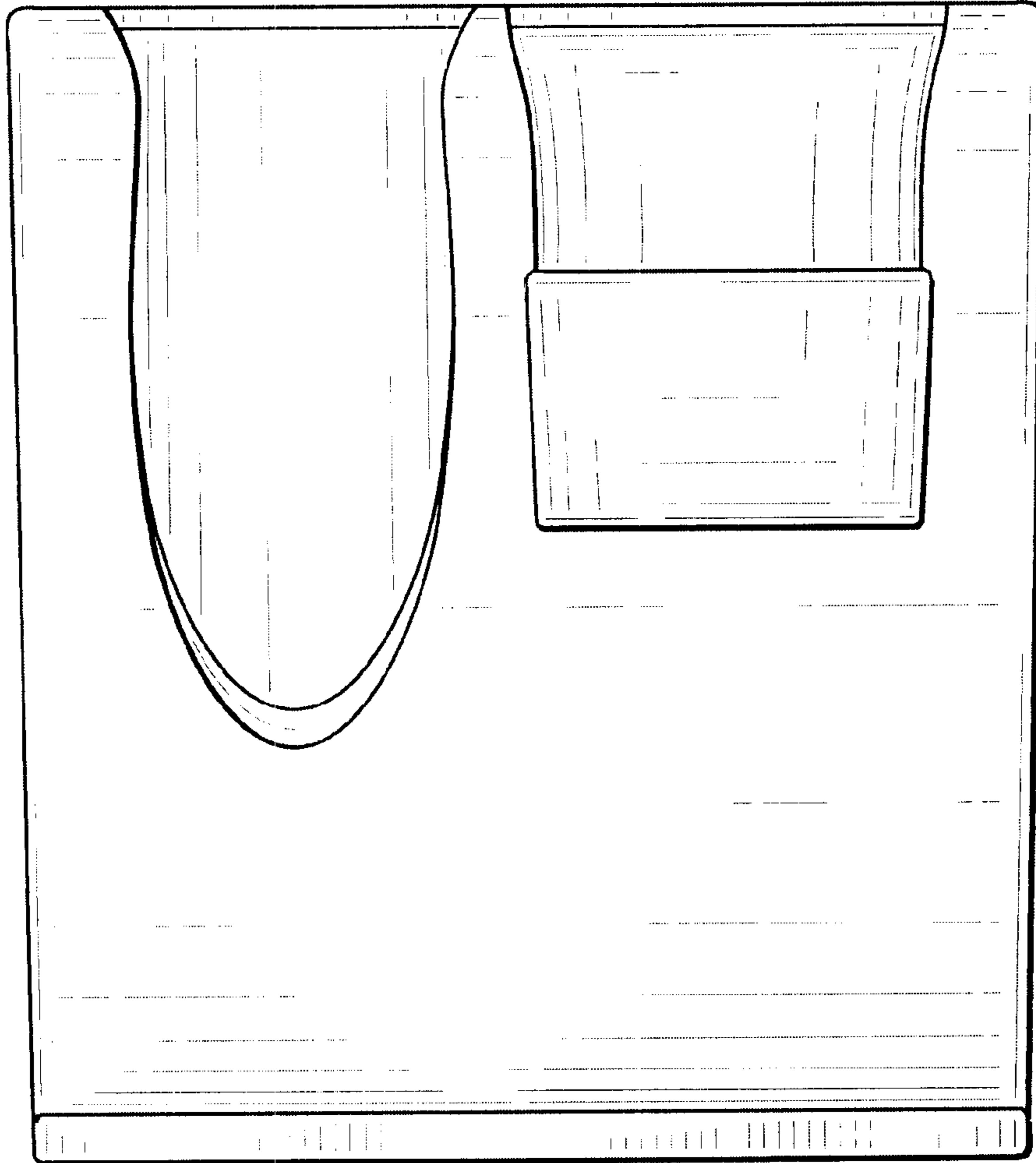


FIG. 2

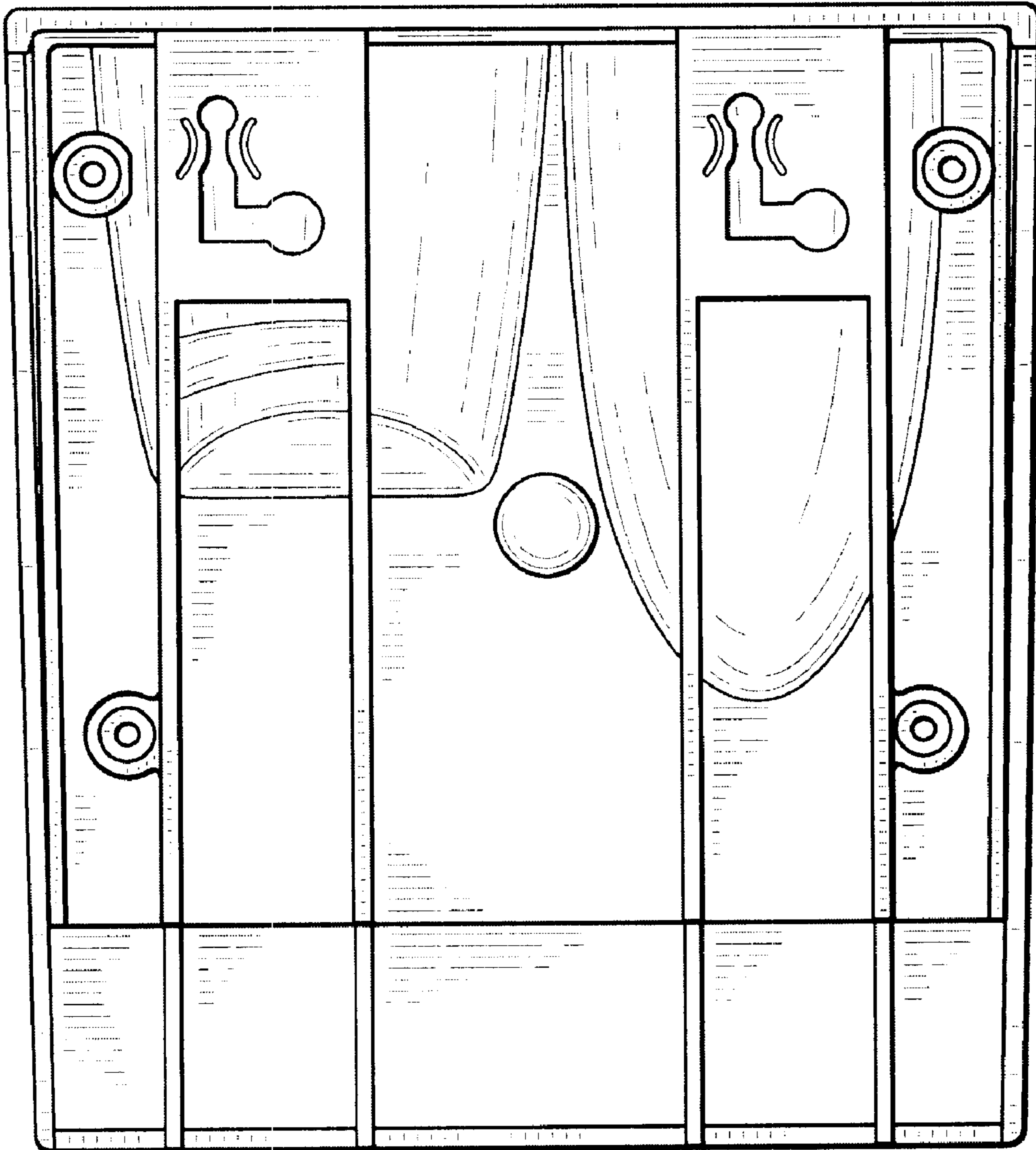


FIG. 3

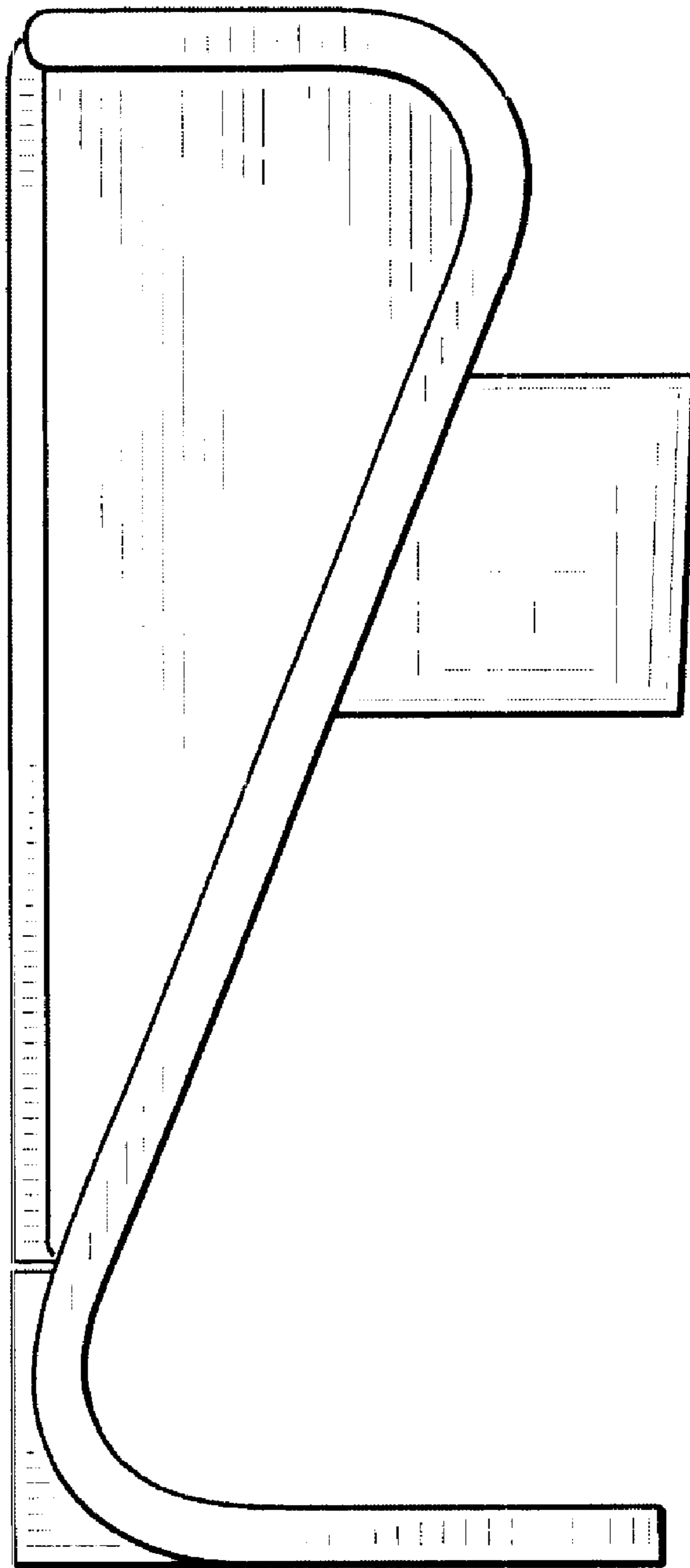


FIG. 4

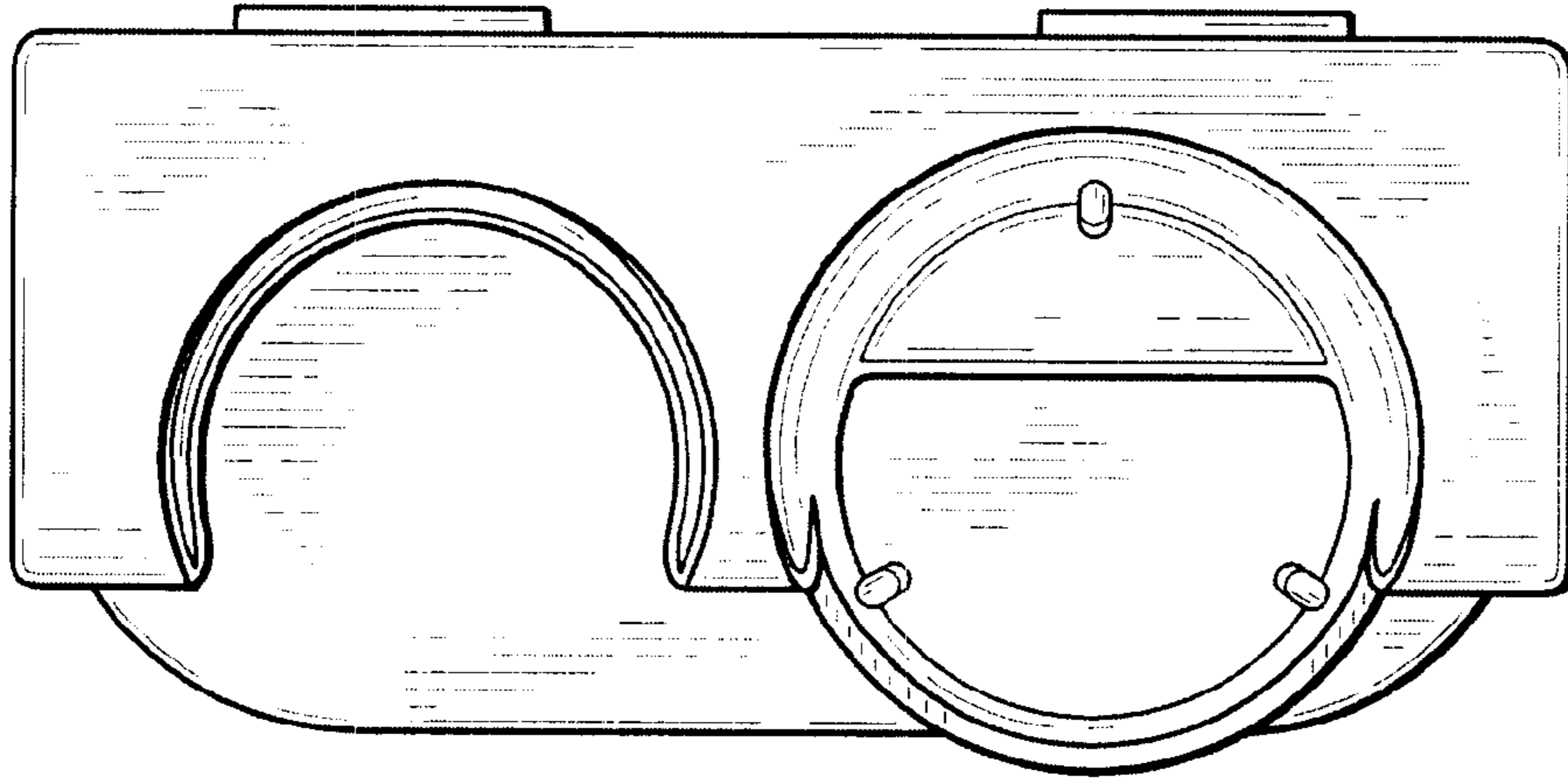


FIG. 5

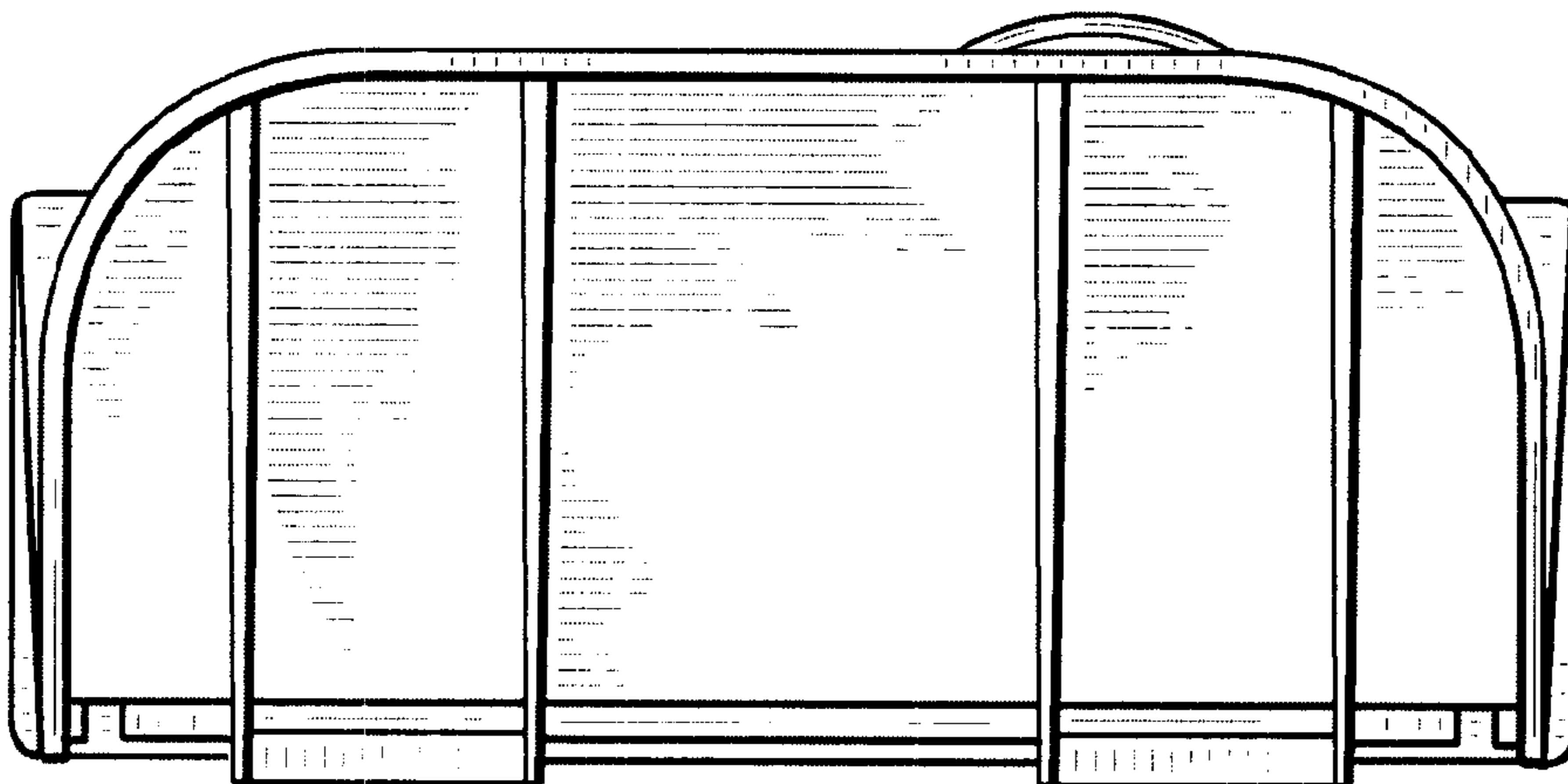


FIG. 6