



US00D475562S

(12) **United States Design Patent**  
**Suero, Jr.**

(10) **Patent No.:** **US D475,562 S**

(45) **Date of Patent:** **\*\* Jun. 10, 2003**

(54) **CORNER BATH CADDY**

(75) **Inventor:** **Jose Suero, Jr., Newark, DE (US)**

(73) **Assignee:** **Zenith Products Corp., New Castle, DE (US)**

(\*\*) **Term:** **14 Years**

(21) **Appl. No.:** **29/169,224**

(22) **Filed:** **Oct. 16, 2002**

(51) **LOC (7) Cl.** ..... **23-02**

(52) **U.S. Cl.** ..... **D6/525; D6/562**

(58) **Field of Search** ..... **D6/524, 525, 562, D6/527, 529, 531, 532, 534, 535, 536, 537, 540, 556, 567, 569, 570; 108/59; 211/13.1, 86.01, 87.01, 88.01, 106, 126.1, 126.9, 134, 153, 182; 206/77.1**

(56) **References Cited**

**U.S. PATENT DOCUMENTS**

- D382,751 S \* 8/1997 Andrus ..... D6/525
- D394,968 S \* 6/1998 Gottwald ..... D6/540
- D417,107 S \* 11/1999 Patel et al. .... D6/511

- D417,990 S \* 12/1999 Yemini ..... D6/525
- D421,692 S \* 3/2000 Wojtowicz et al. .... D6/525
- D421,867 S \* 3/2000 Carville et al. .... D6/562
- D429,934 S \* 8/2000 Hofman ..... D6/525
- D443,162 S \* 6/2001 Winter ..... D6/570
- D462,552 S \* 9/2002 Emery et al. .... D6/525

\* cited by examiner

*Primary Examiner*—Brian N. Vinson

(74) *Attorney, Agent, or Firm*—Edgar A. Zarins; Lloyd D. Doigan

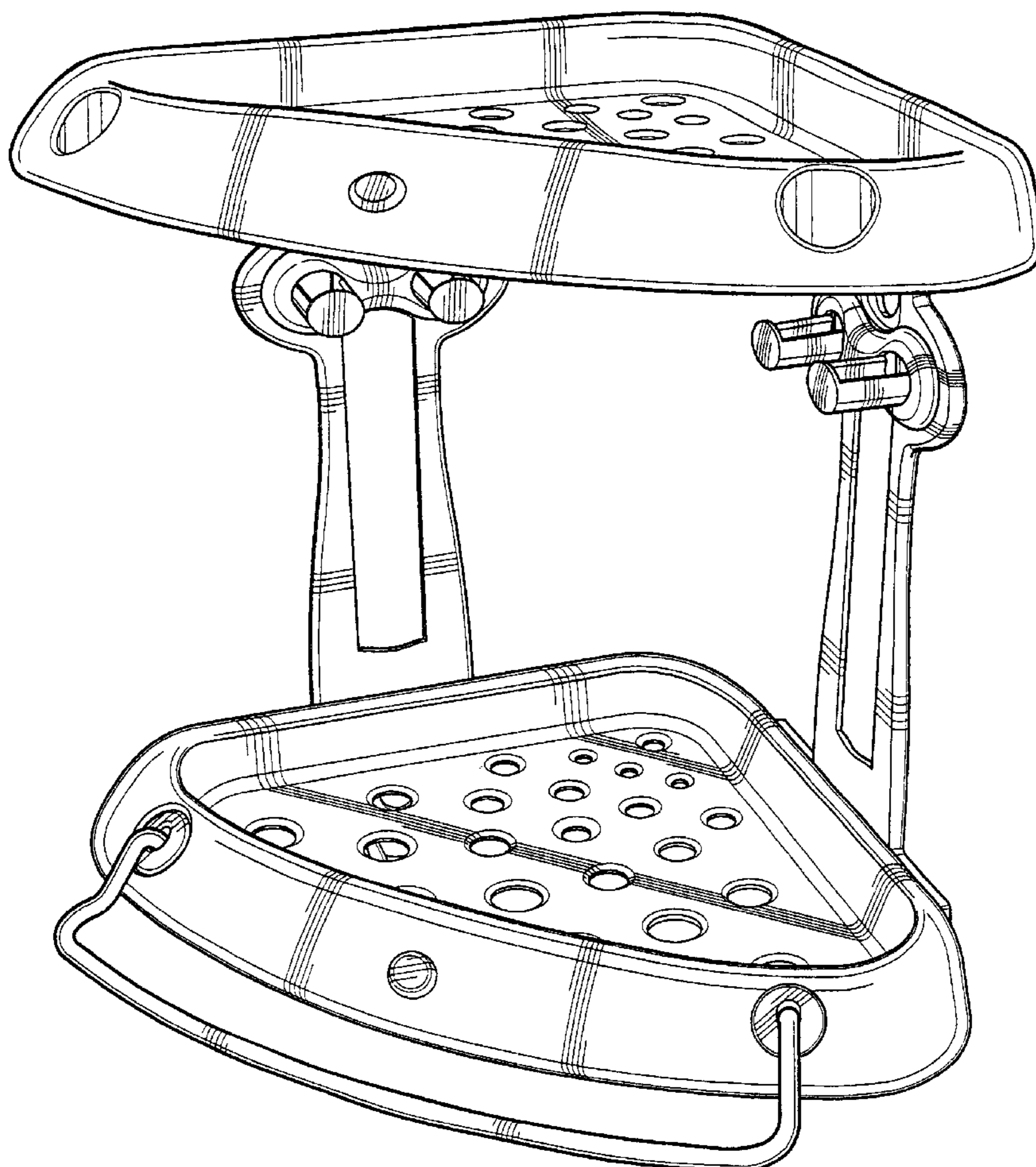
(57) **CLAIM**

The ornamental design for a corner bath caddy, as shown and described.

**DESCRIPTION**

FIG. 1 is a perspective view of a corner bath caddy showing my new design;  
 FIG. 2 is a front elevational view thereof;  
 FIG. 3 is a right side view thereof;  
 FIG. 4 is a rear elevational view thereof;  
 FIG. 5 is a top plan view thereof; and,  
 FIG. 6 is a bottom plan view thereof.

**1 Claim, 5 Drawing Sheets**



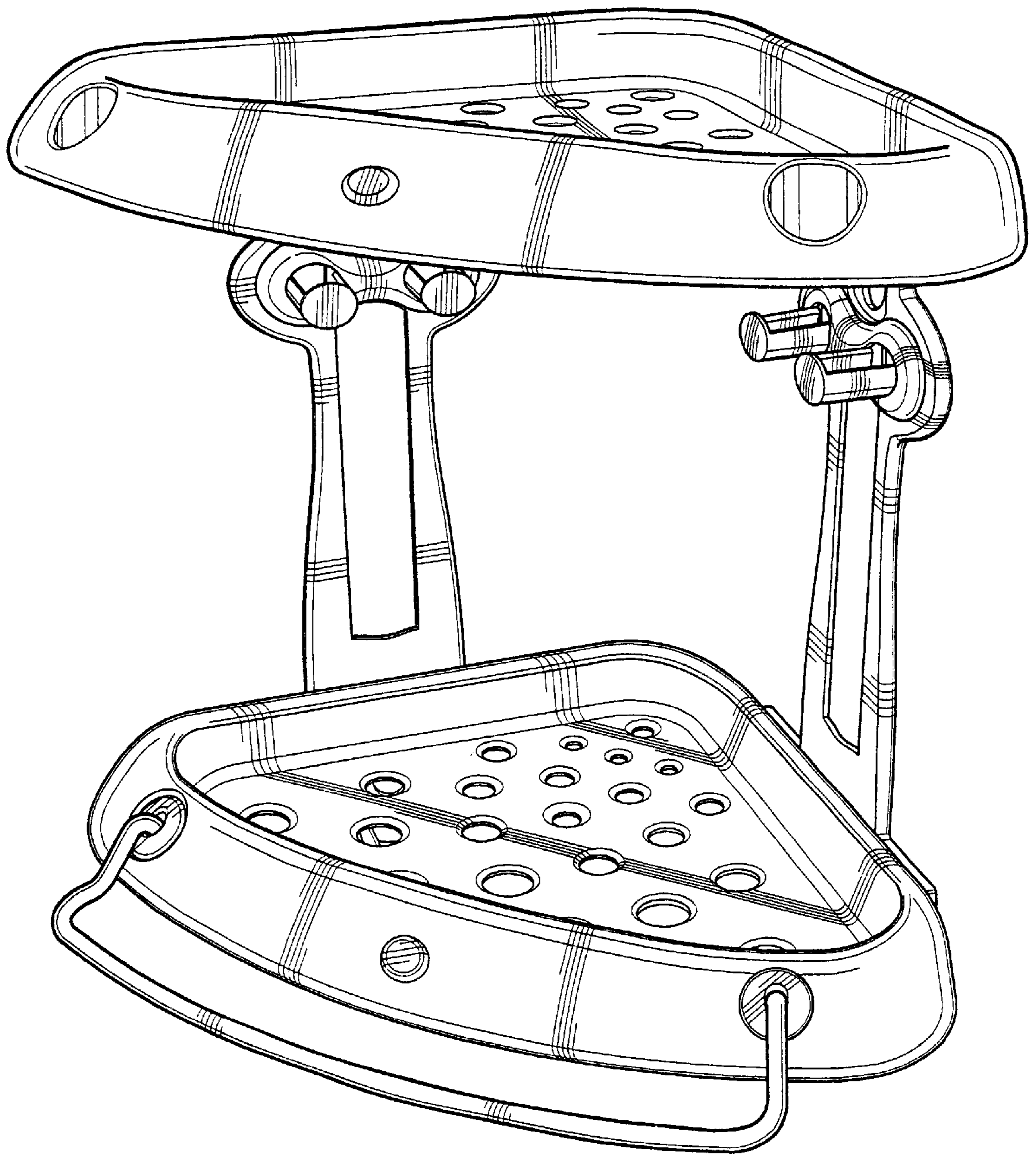


Fig-1

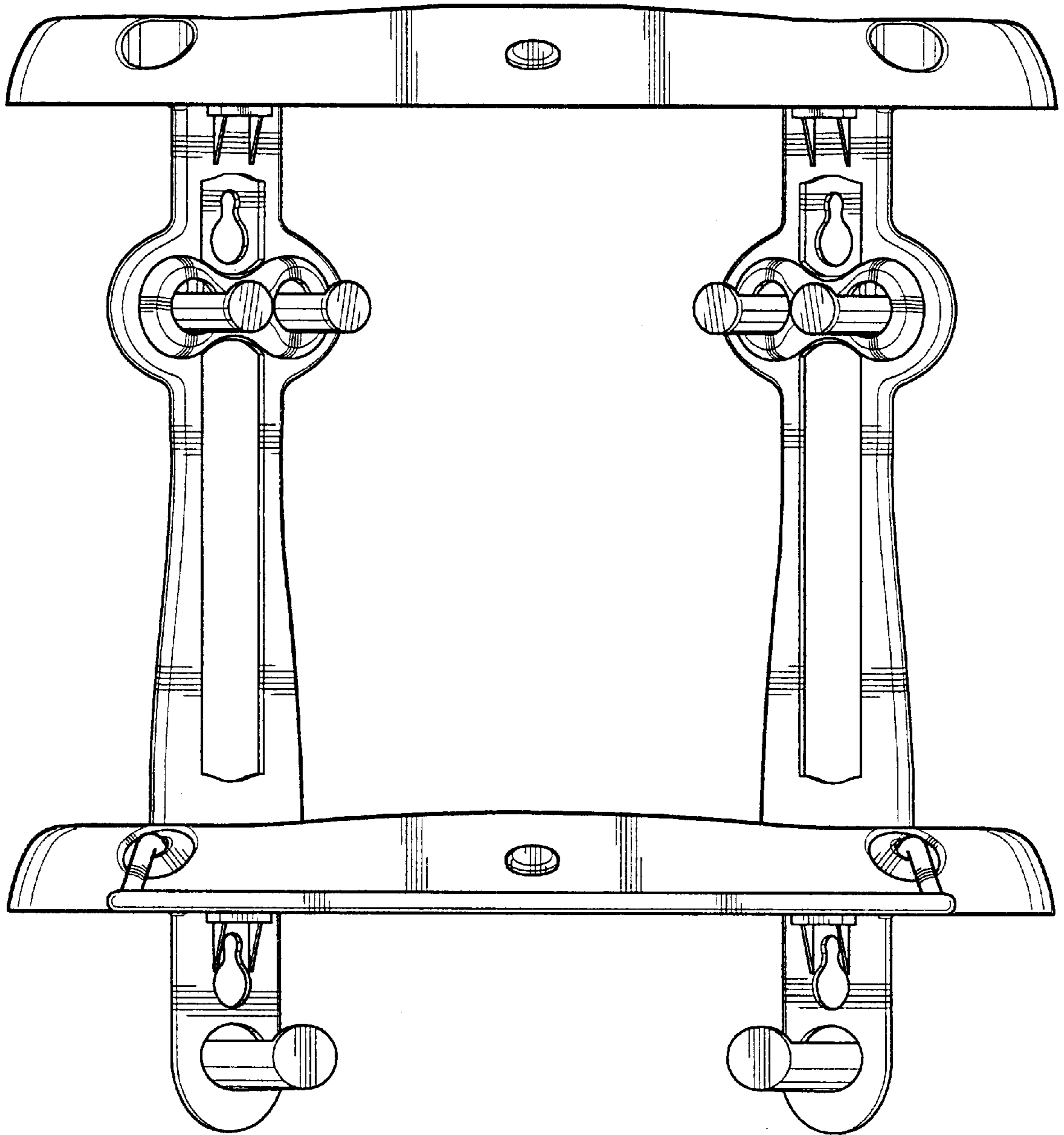


Fig-2



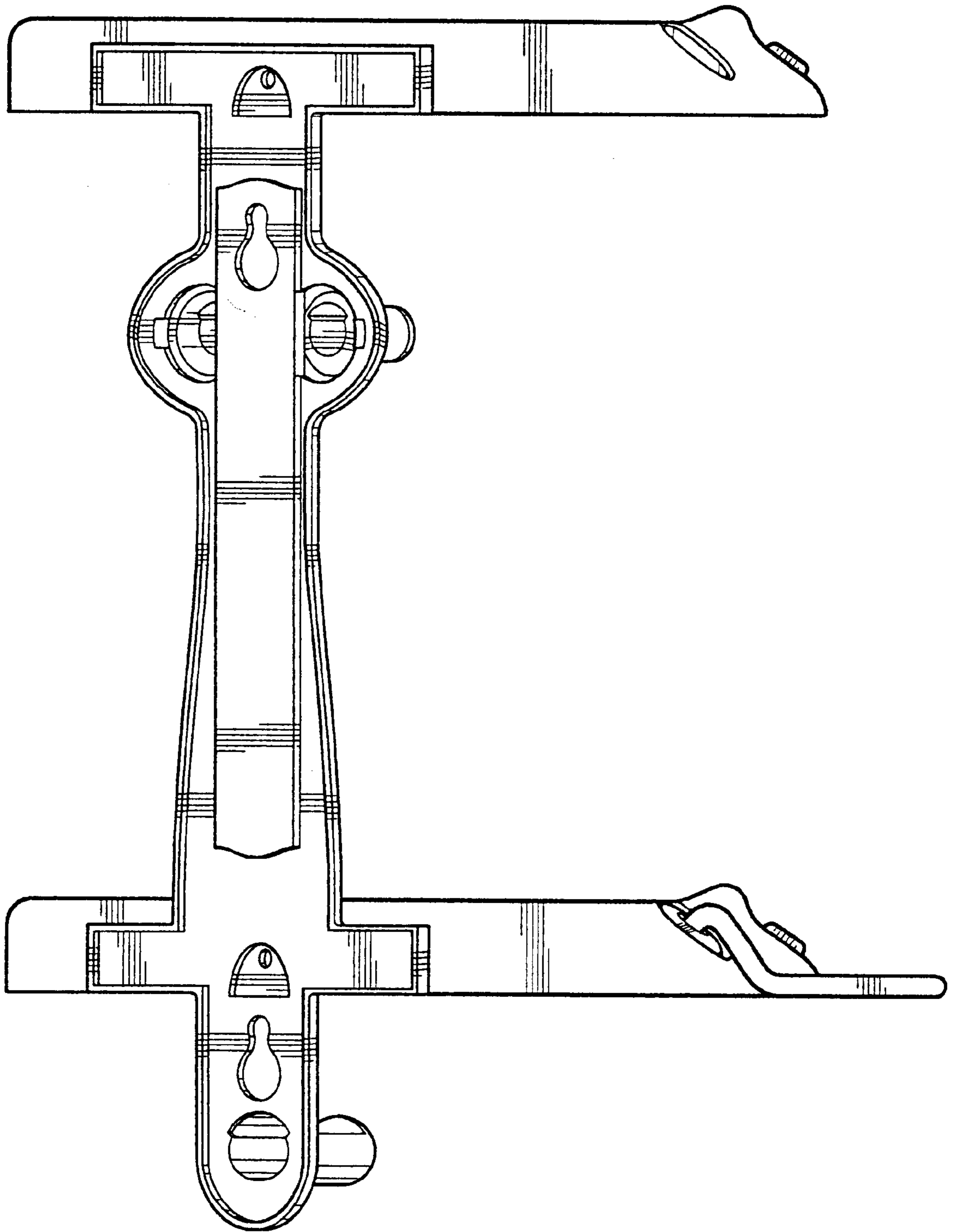


Fig-3

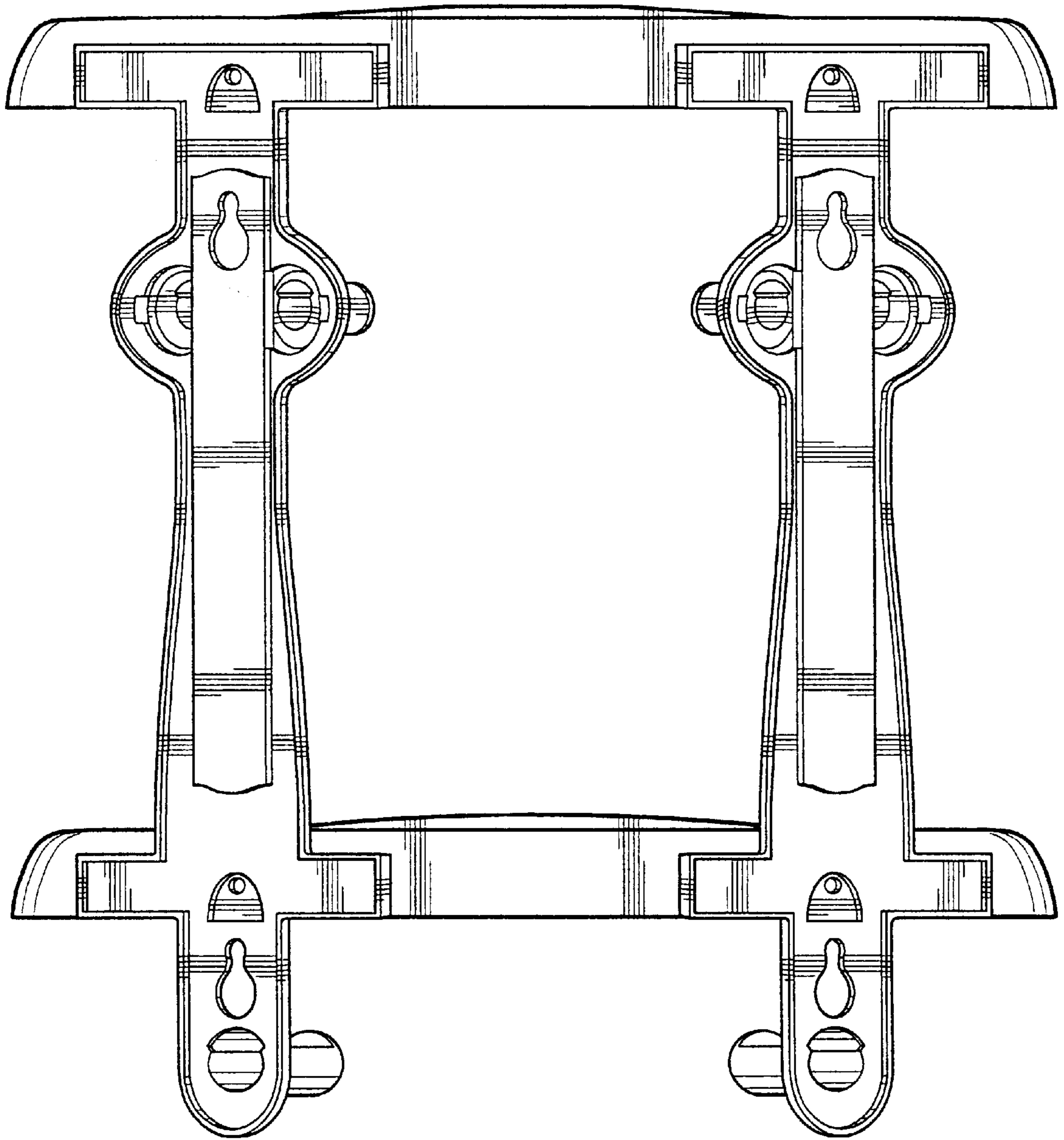


Fig-4

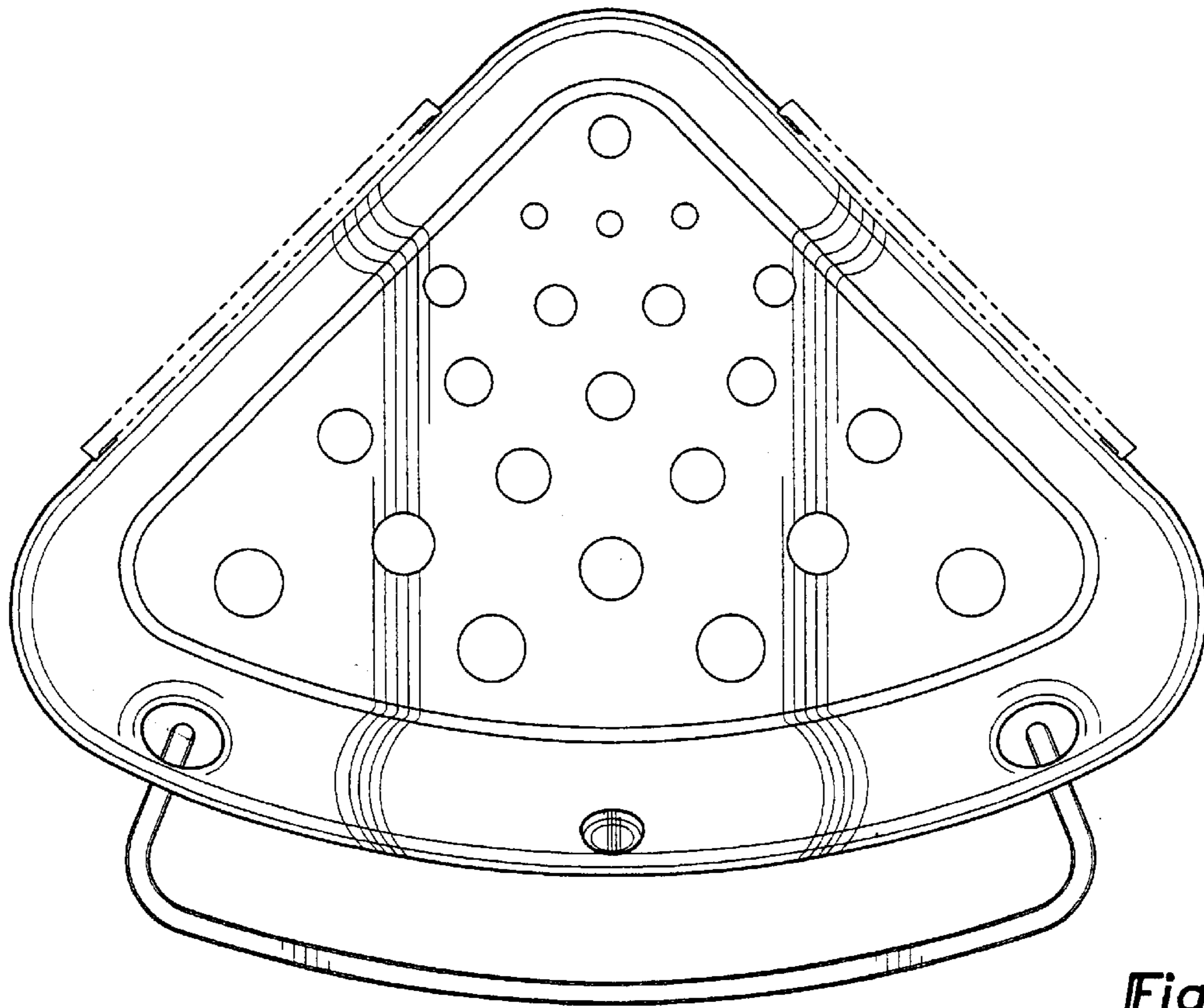


Fig-5

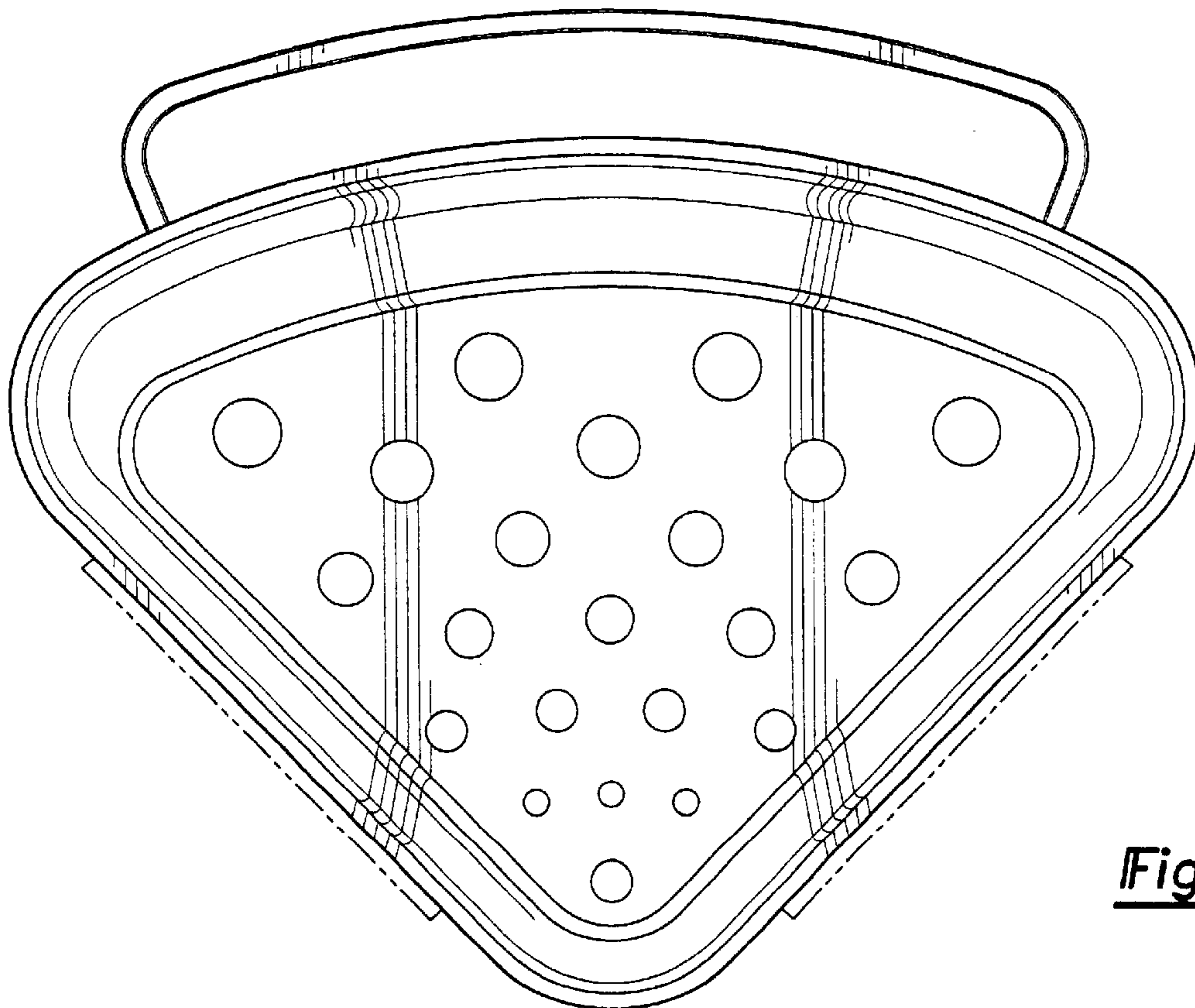


Fig-6