



US00D475561S

(12) **United States Design Patent**
Suero, Jr.

(10) **Patent No.:** **US D475,561 S**

(45) **Date of Patent:** **** Jun. 10, 2003**

(54) **CORNER CADDY**

(75) **Inventor:** **Jose Suero, Jr., Newark, DE (US)**

(73) **Assignee:** **Zenith Products Corp., New Castle, DE (US)**

(**) **Term:** **14 Years**

(21) **Appl. No.:** **29/169,223**

(22) **Filed:** **Oct. 16, 2002**

(51) **LOC (7) Cl. 23-02**

(52) **U.S. Cl. D6/525; D6/562**

(58) **Field of Search D6/524, 525, 562, D6/527, 529, 531, 532, 534, 535, 536, 537, 540, 556, 567, 569, 570, 566; 108/59; 211/13.1, 86.01, 87.01, 88.01, 106, 126.1, 126.9, 134, 153, 182; 206/77.1**

(56) **References Cited**

U.S. PATENT DOCUMENTS

- D382,751 S * 8/1997 Andrus D6/525
- D394,968 S * 6/1998 Gottwald D6/540
- D417,107 S * 11/1999 Patel et al. D6/511

- D417,990 S * 12/1999 Yemini D6/525
- D421,692 S * 3/2000 Wojtowicz et al. D6/525
- D421,867 S * 3/2000 Carville et al. D6/562
- D429,934 S * 8/2000 Hofman D6/525
- D443,162 S * 6/2001 Winter D6/570
- D462,552 S * 9/2002 Emery et al. D6/525

* cited by examiner

Primary Examiner—Brian N. Vinson

(74) *Attorney, Agent, or Firm*—Edgar A. Zarins; Lloyd D. Doigan

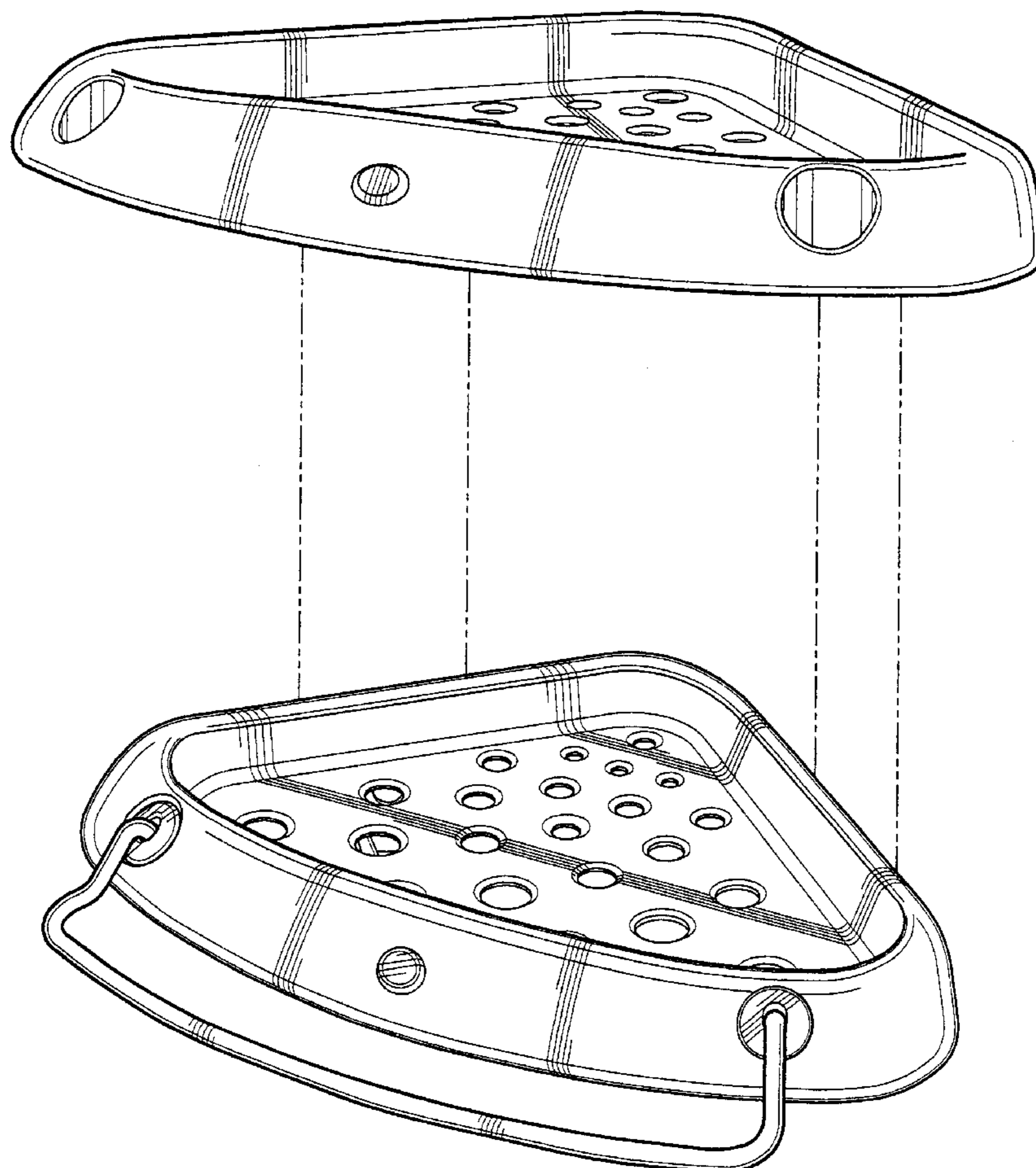
(57) **CLAIM**

The ornamental design for a corner caddy, as shown and described.

DESCRIPTION

FIG. 1 is a perspective view of a corner caddy showing my new design;
 FIG. 2 is a front elevational view thereof;
 FIG. 3 is a right side view thereof;
 FIG. 4 is a rear elevational view thereof;
 FIG. 5 is a top plan view thereof; and,
 FIG. 6 is a bottom plan view thereof.

1 Claim, 5 Drawing Sheets



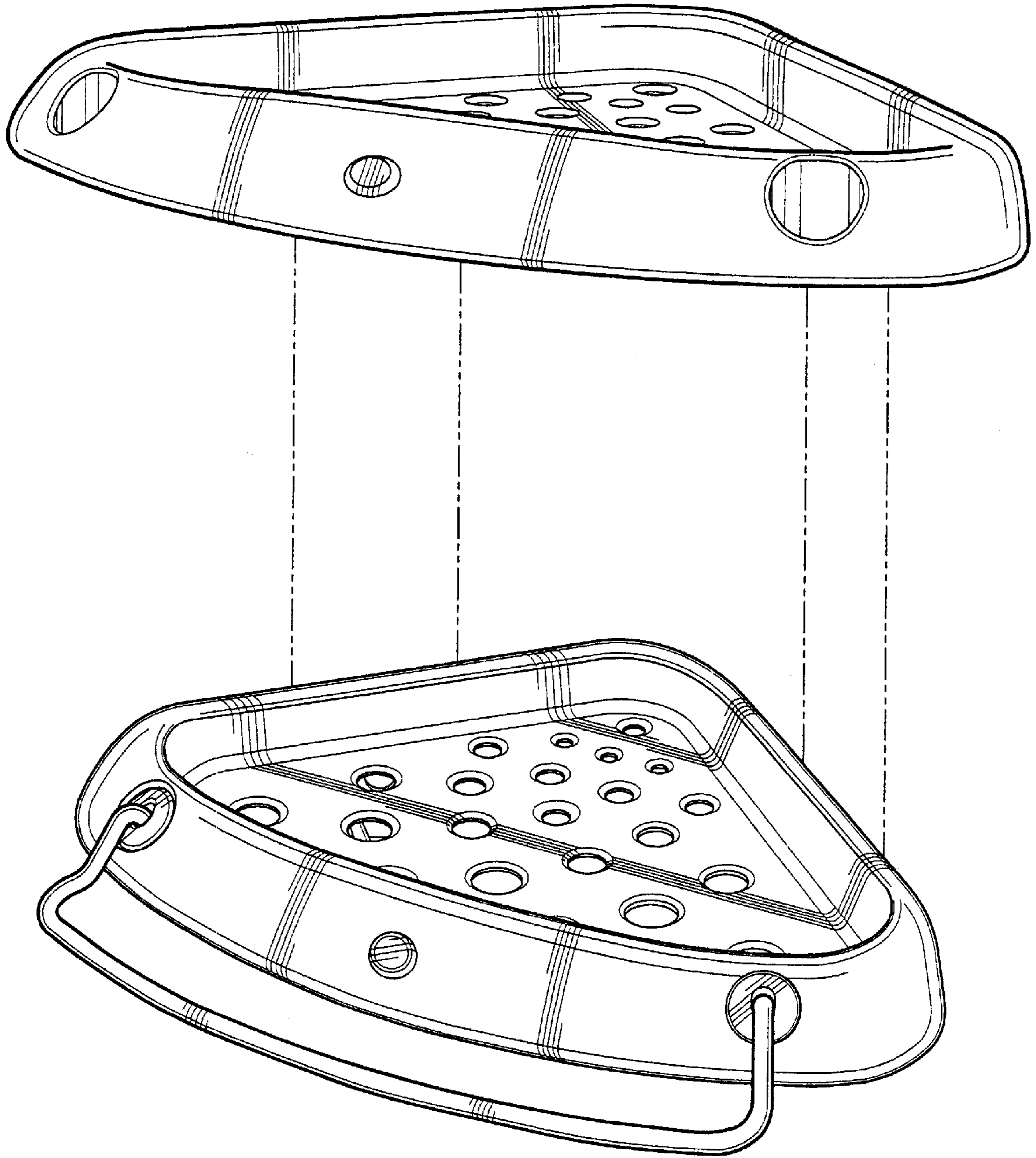


Fig-1

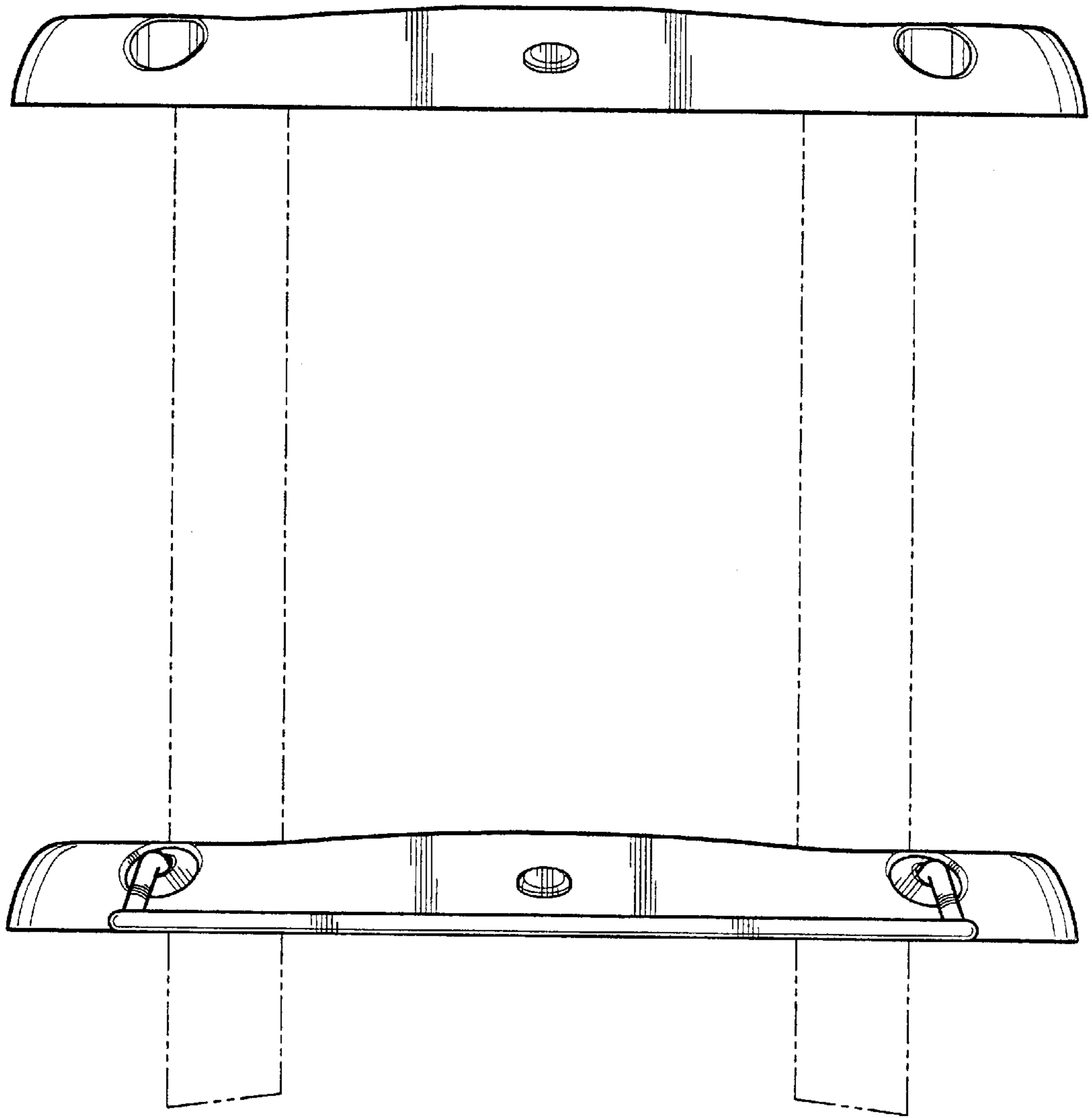


Fig-2

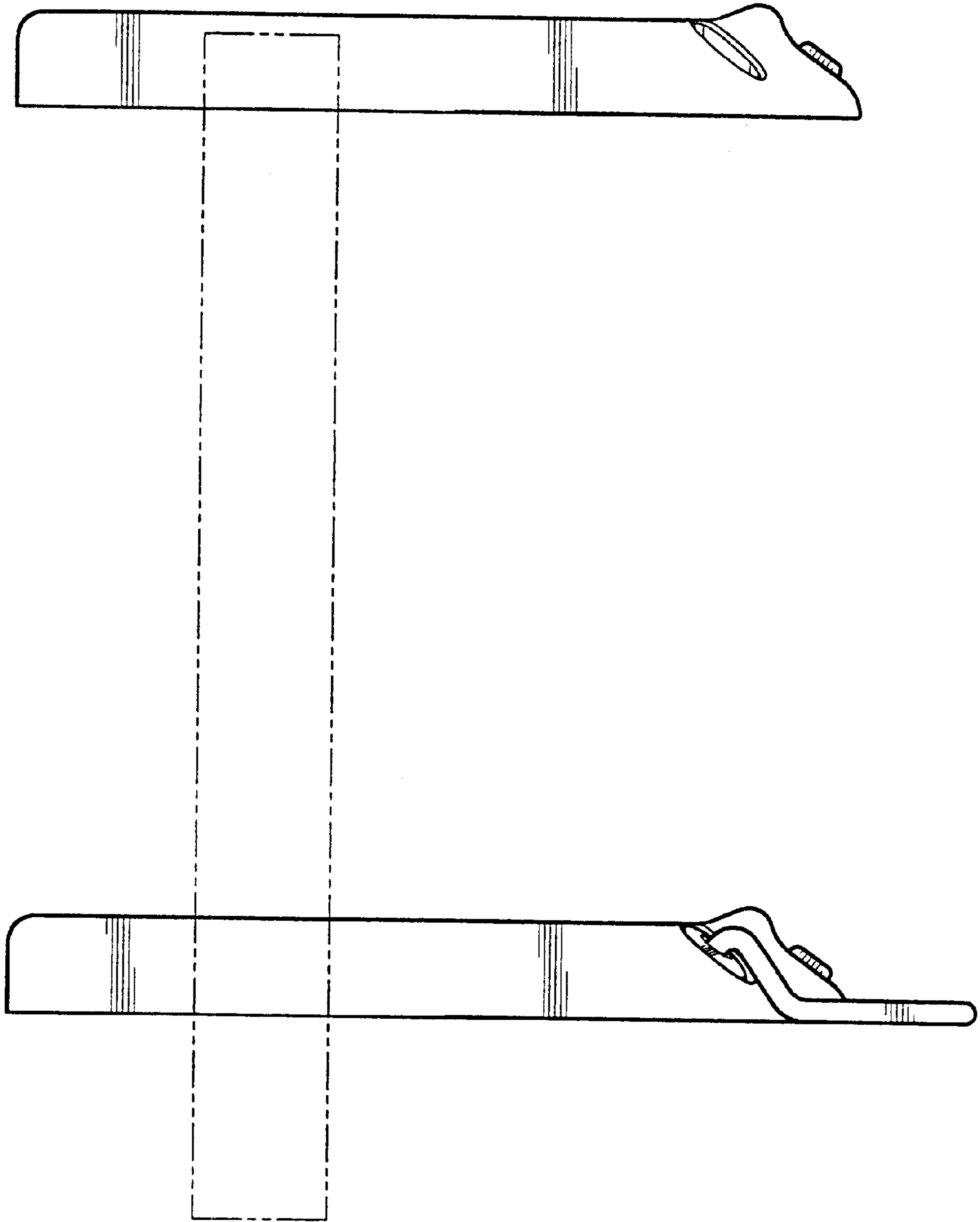


Fig-3

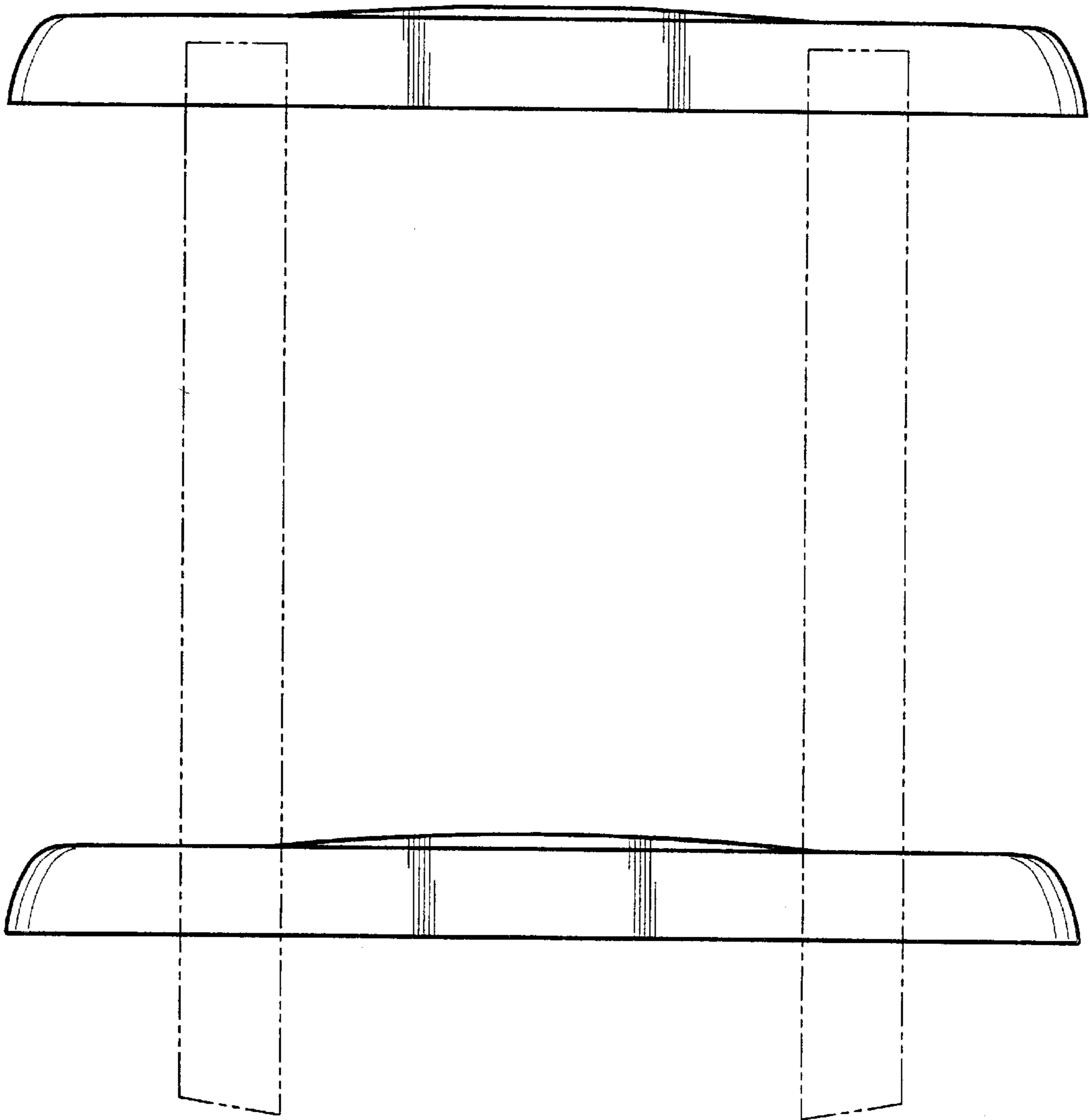


Fig-4

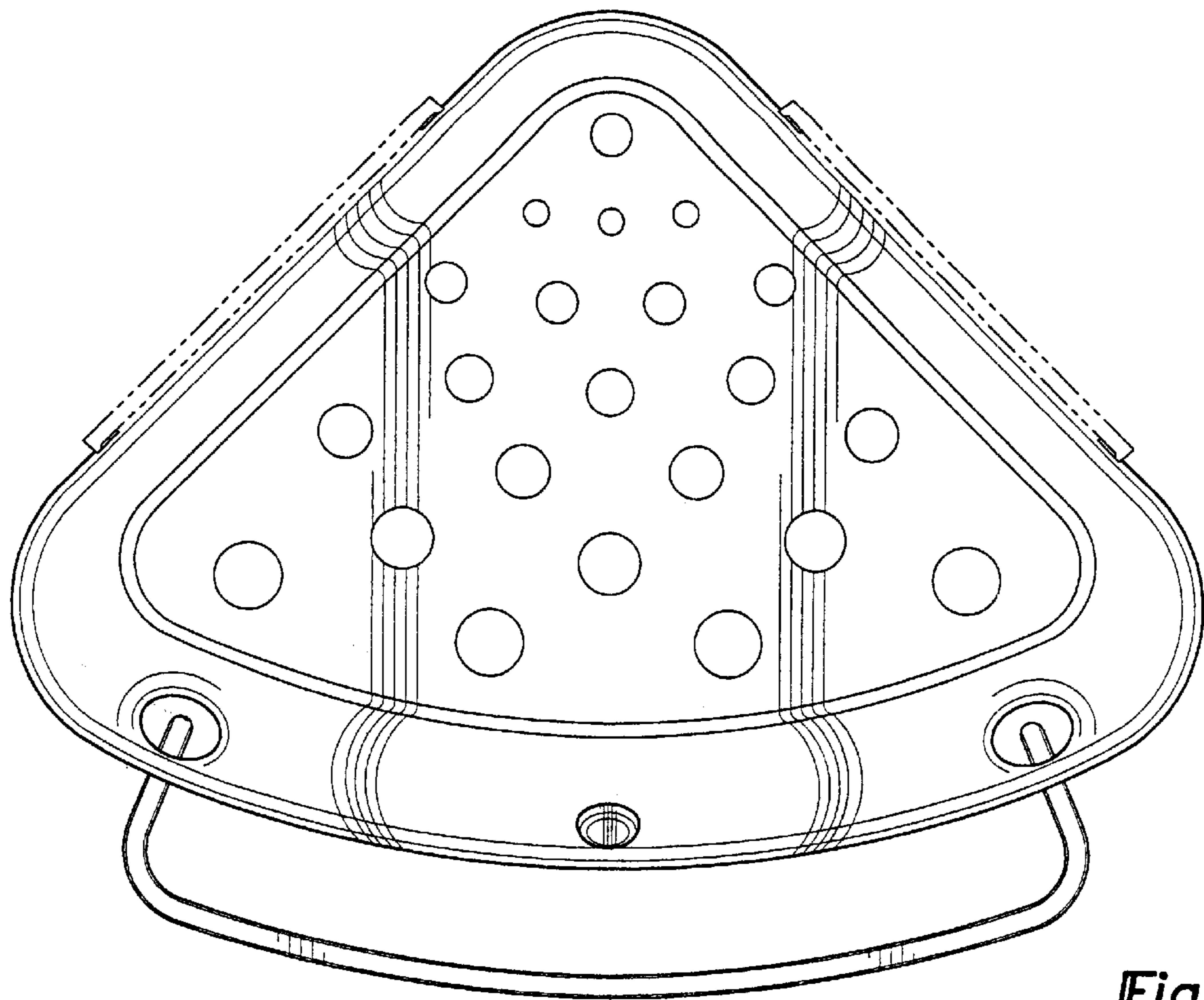


Fig-5

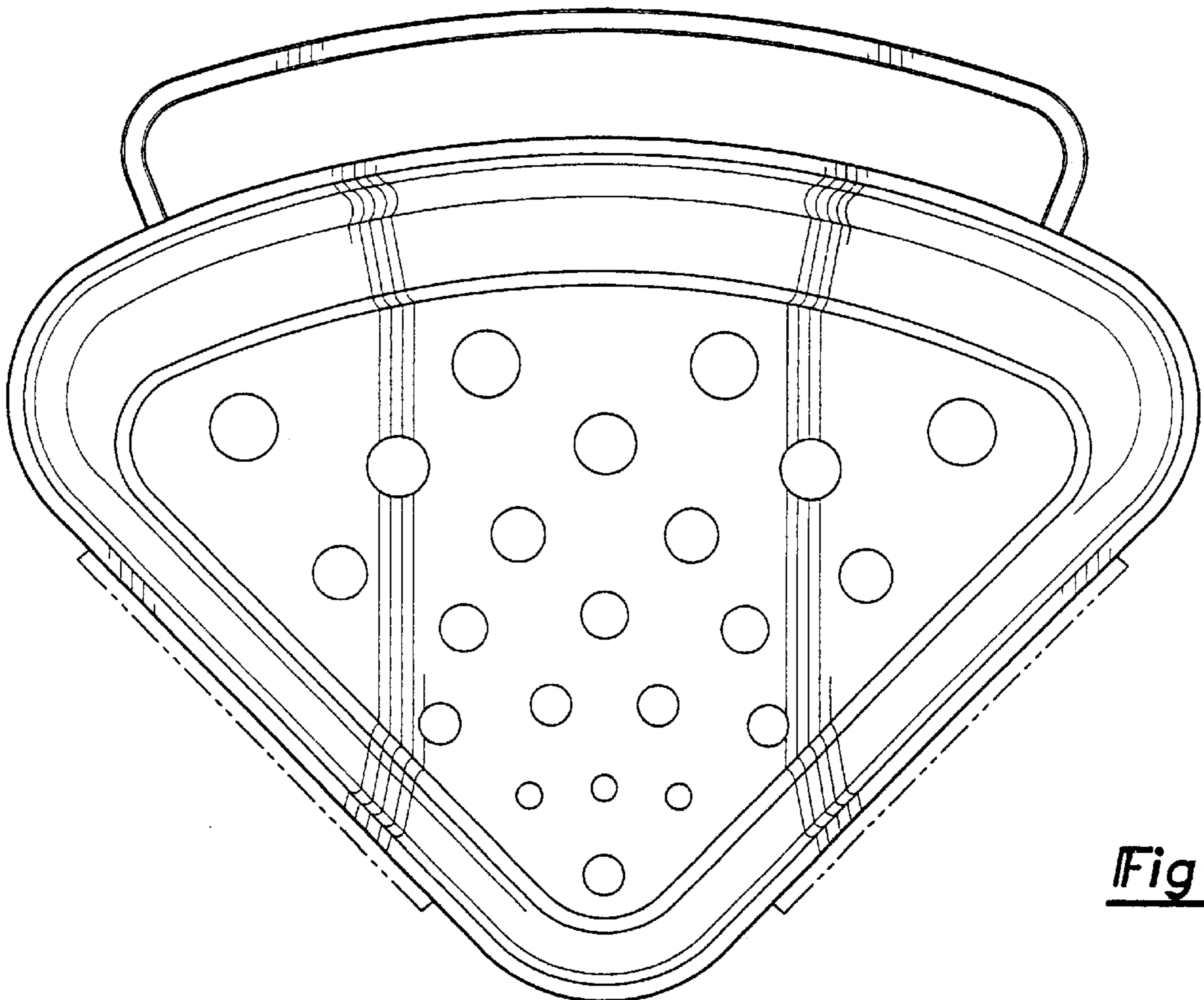


Fig-6