



US00D475560S

(12) **United States Design Patent**  
**Suero, Jr.**

(10) **Patent No.:** **US D475,560 S**

(45) **Date of Patent:** **\*\* Jun. 10, 2003**

(54) **SHOWER CADDY**

(75) Inventor: **Jose Suero, Jr., Newark, DE (US)**

(73) Assignee: **Zenith Products Corp., New Castle, DE (US)**

(\*\*) Term: **14 Years**

(21) Appl. No.: **29/155,694**

(22) Filed: **Feb. 14, 2002**

(51) **LOC (7) Cl.** ..... **23-02**

(52) **U.S. Cl.** ..... **D6/525; D6/562**

(58) **Field of Search** ..... D6/524, 525, 562,  
D6/567, 566, 527, 529, 531, 532, 534-537,  
540, 556, 570; 108/59; 211/13.1, 86.01,  
87.01, 88.01, 106, 126.1, 126.9, 134, 153,  
182; 206/77.1

(56) **References Cited**

**U.S. PATENT DOCUMENTS**

- D382,751 S \* 8/1997 Andrus ..... D6/525
- D394,968 S \* 6/1998 Gottwald ..... D6/540
- D417,107 S \* 11/1999 Patel et al. .... D6/511

- D417,990 S \* 12/1999 Yemini ..... D6/525
- D421,692 S \* 3/2000 Wojtowicz et al. .... D6/525
- D421,867 S \* 3/2000 Carville et al. .... D6/562
- D429,934 S \* 8/2000 Hofman ..... D6/525
- D443,162 S \* 6/2001 Winter ..... D6/570
- D462,552 S \* 9/2002 Emery et al. .... D6/525

\* cited by examiner

*Primary Examiner*—Brian N. Vinson

(74) *Attorney, Agent, or Firm*—Edgar A. Zarins; Lloyd D. Doigan

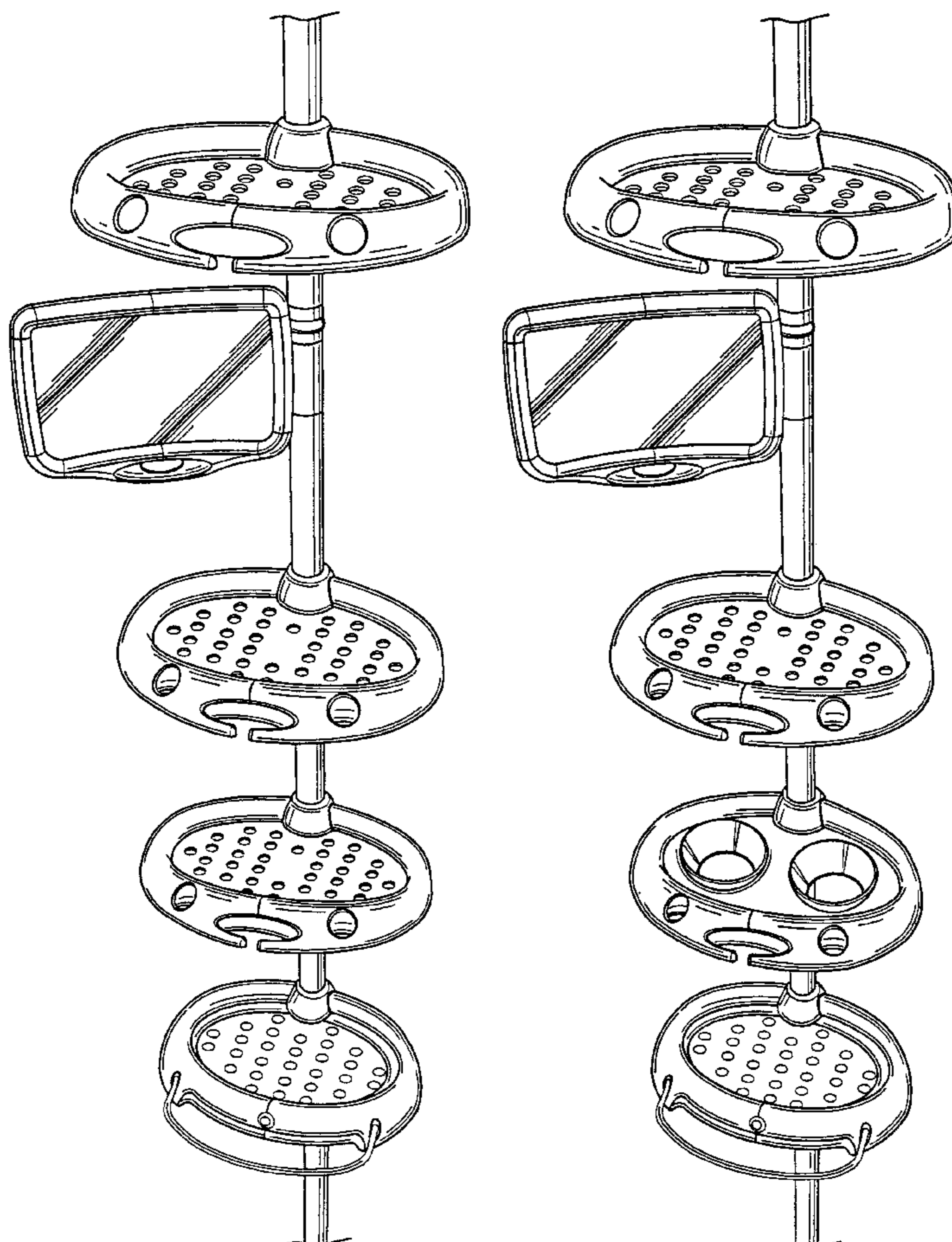
(57) **CLAIM**

The ornamental design for a shower caddy, as shown and described.

**DESCRIPTION**

FIG. 1 is a perspective view of a shower caddy showing my new design;  
 FIG. 2 is a front elevational view thereof;  
 FIG. 3 is a left side view thereof;  
 FIG. 4 is a top plan view thereof; and,  
 FIG. 5 is a perspective view of an alternative embodiment thereof.

**1 Claim, 5 Drawing Sheets**



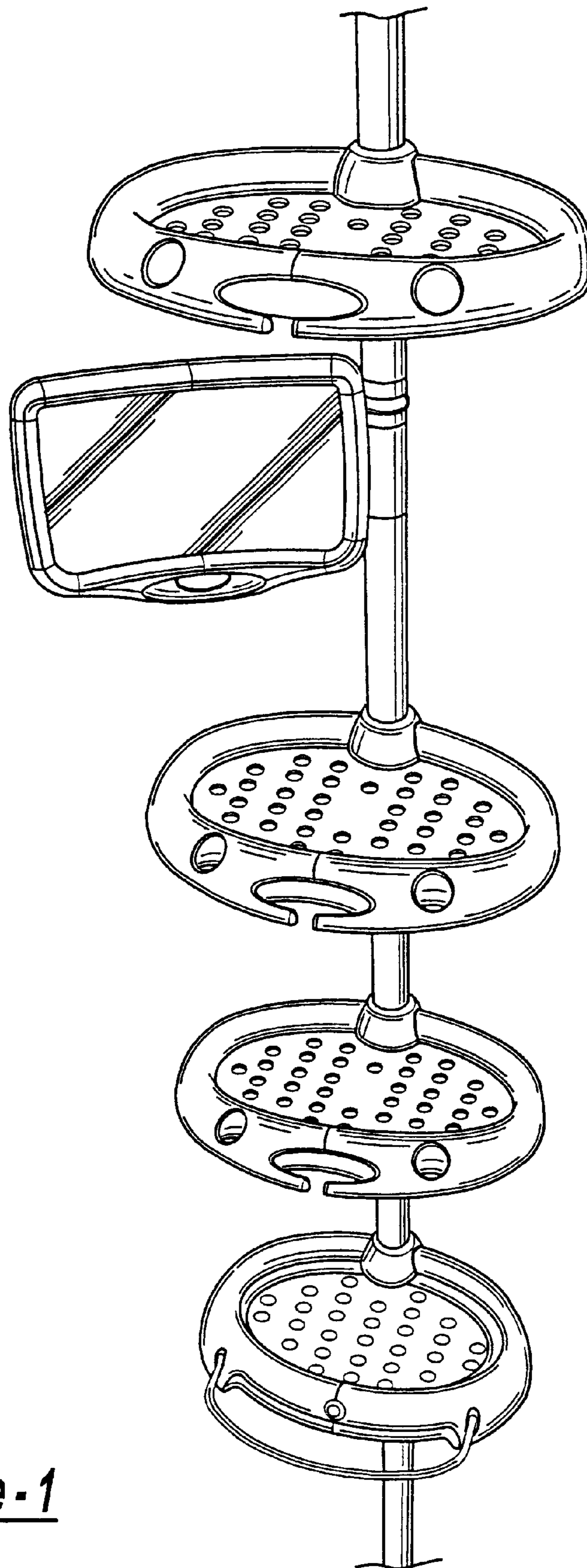


Figure - 1

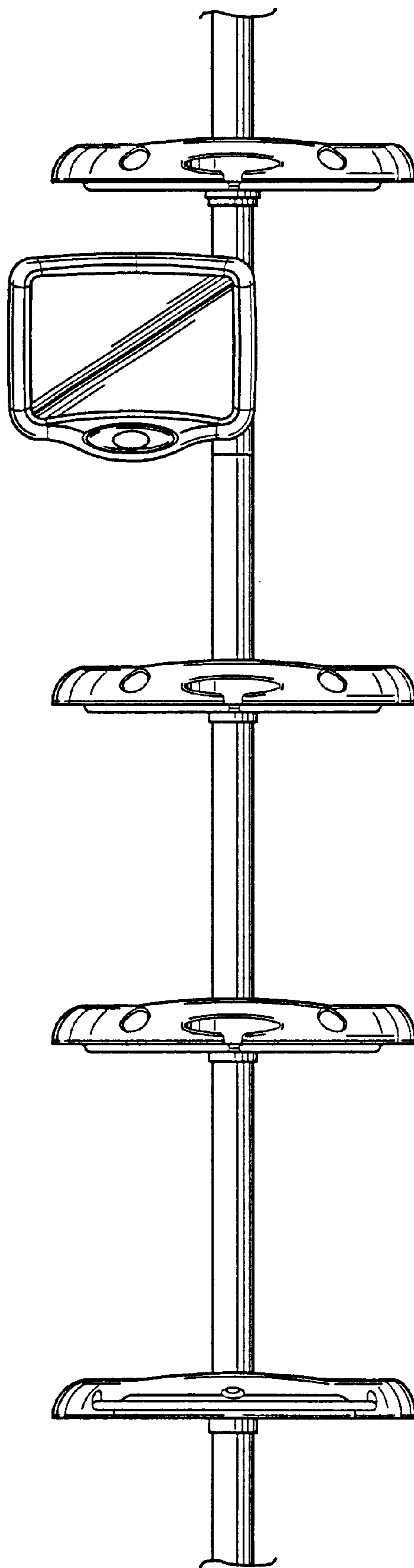


Figure - 2

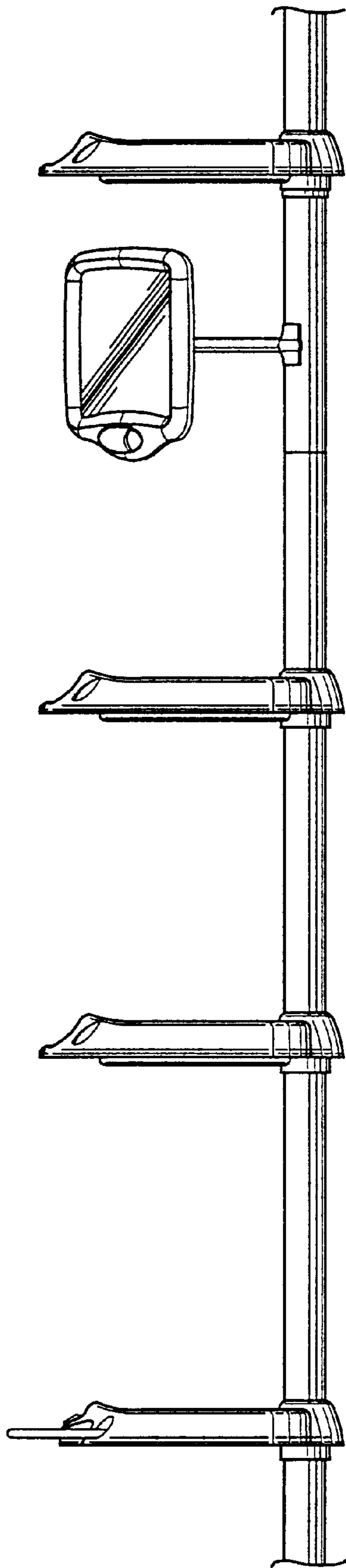
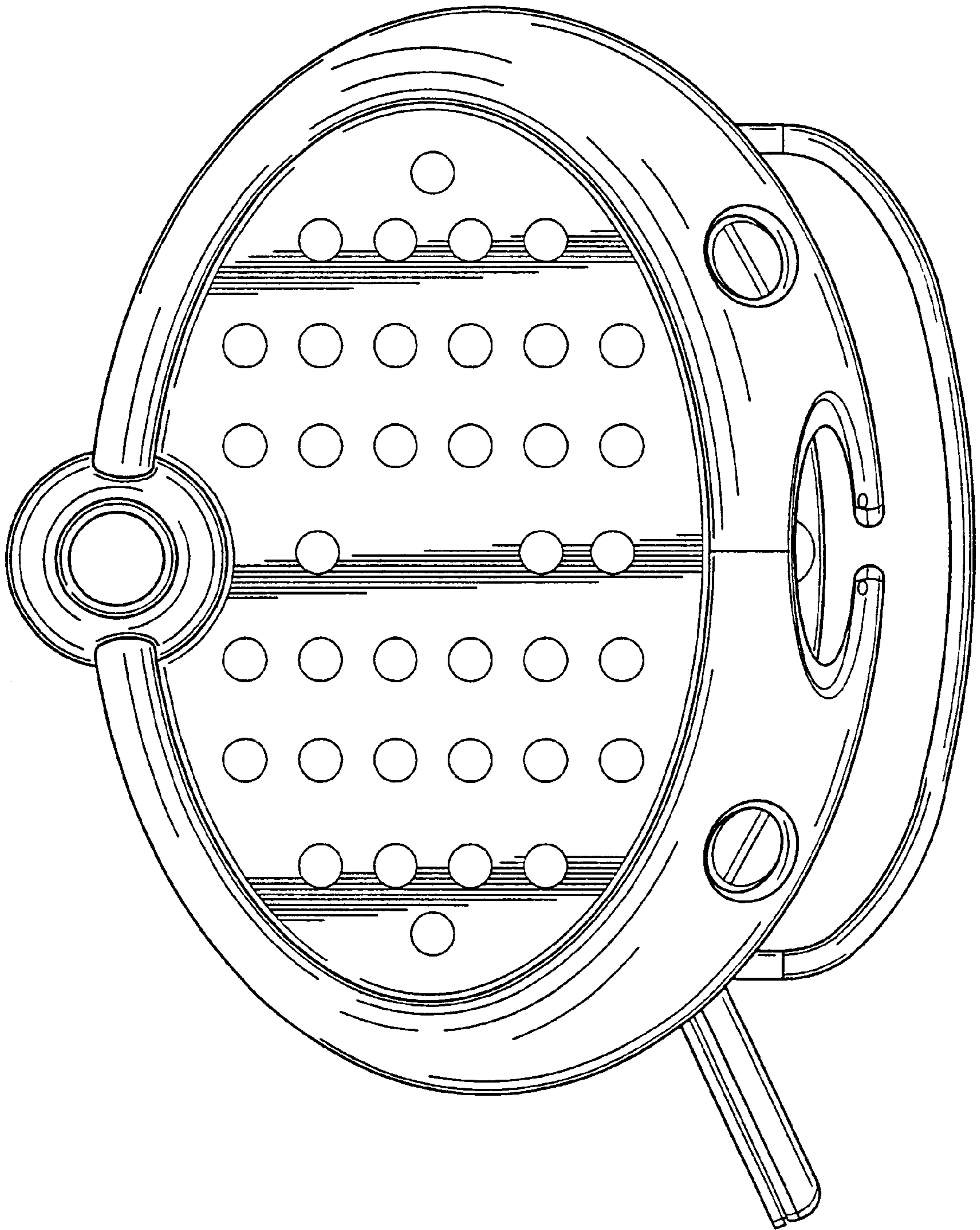


Figure - 3



Figure - 4



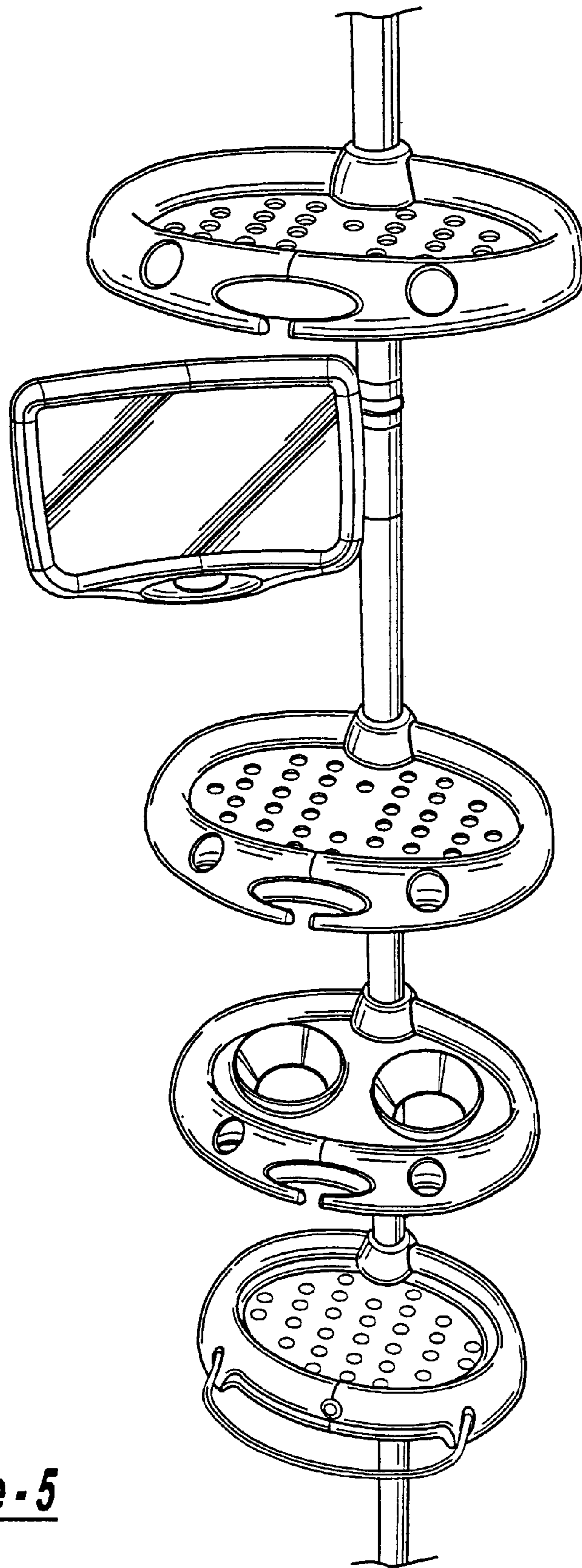


Figure - 5