



US00D475559S

(12) **United States Design Patent**
Roussy

(10) **Patent No.:** **US D475,559 S**

(45) **Date of Patent:** **** Jun. 10, 2003**

(54) **ASSIST RAIL**

(75) **Inventor:** **Richard B. Roussy**, London (CA)

(73) **Assignee:** **Carroll Intelli Corp.**, London (CA)

(**) **Term:** **14 Years**

(21) **Appl. No.:** **29/161,943**

(22) **Filed:** **Jun. 7, 2002**

(51) **LOC (7) Cl.** **06-06**

(52) **U.S. Cl.** **D6/503**

(58) **Field of Search** D6/503, 491, 382,
D6/392; 5/100, 425, 662, 424, 426, 732

(56) **References Cited**

U.S. PATENT DOCUMENTS

2,722,017 A * 11/1955 Burst et al. 5/425

3,173,158 A * 3/1965 Oakes 5/425

5,463,784 A * 11/1995 Alpern 5/430

* cited by examiner

Primary Examiner—Janice E. Seeger

(74) *Attorney, Agent, or Firm*—Anissimoff & Assoc.; Hans Koenig

(57) **CLAIM**

The ornamental design for an assist rail, as shown and described.

DESCRIPTION

FIG. 1 is a perspective front view of an assist rail according to the present invention;

FIG. 2 is a front view of an assist rail according to the present invention;

FIG. 3 is a top view of an assist rail according to the present invention;

FIG. 4 is an end view of an assist rail according to the present invention;

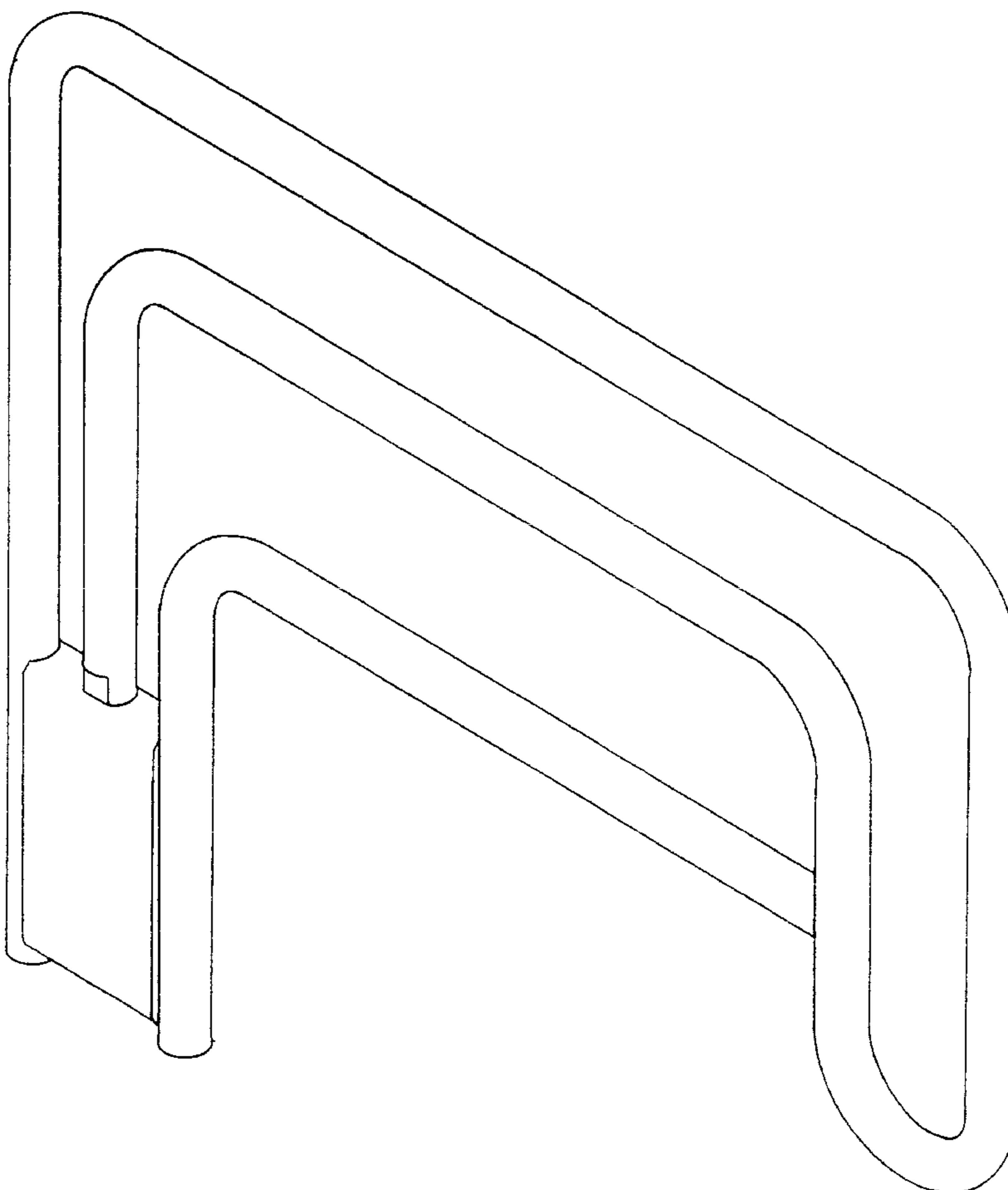
FIG. 5 is a perspective rear view of an assist rail according to the present invention;

FIG. 6 is a rear view of an assist rail according to the present invention;

FIG. 7 is a bottom view of an assist rail according to the present invention; and,

FIG. 8 is an end view of an assist rail according to the present invention.

1 Claim, 4 Drawing Sheets



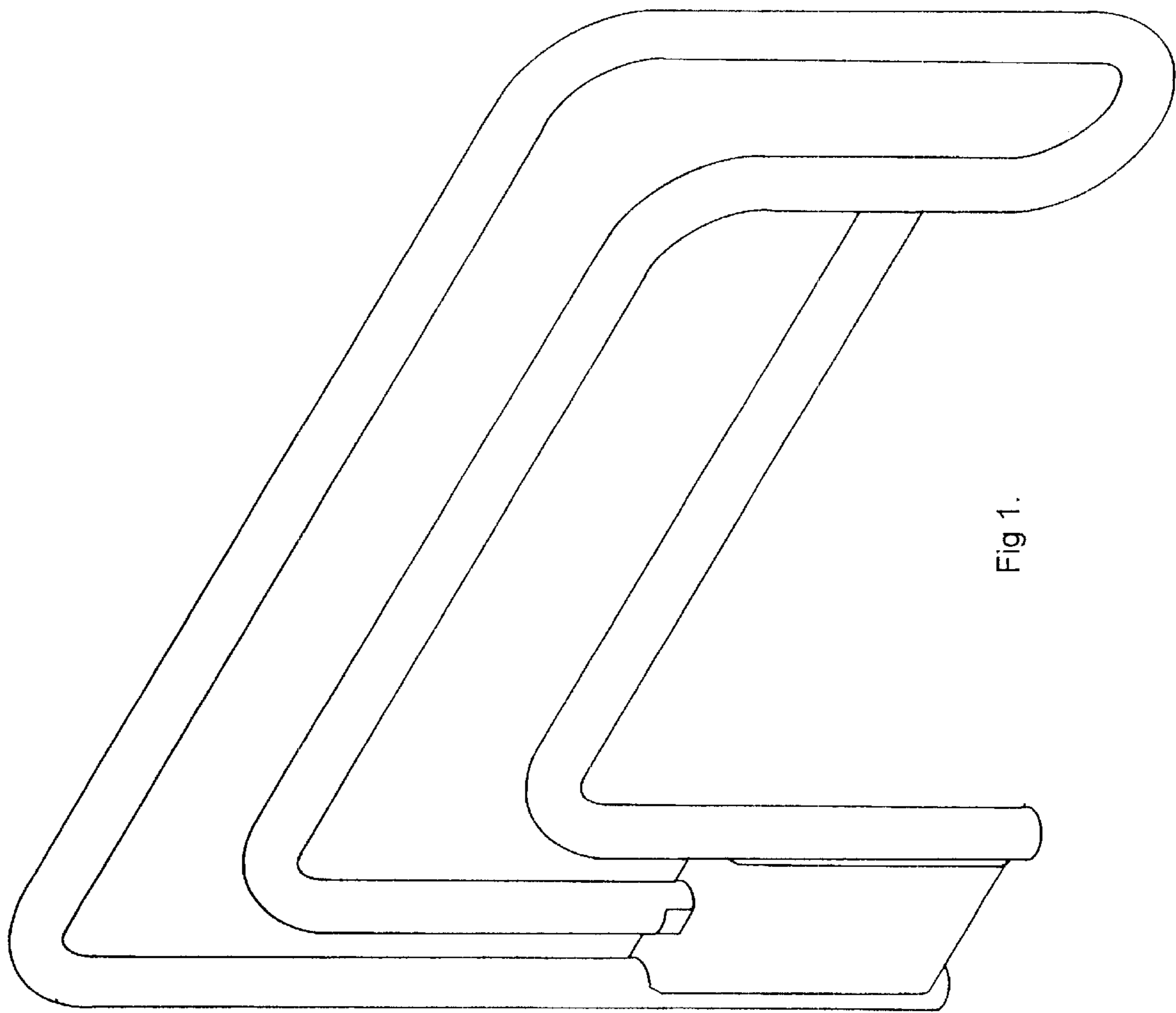


Fig 1.



Fig 3.

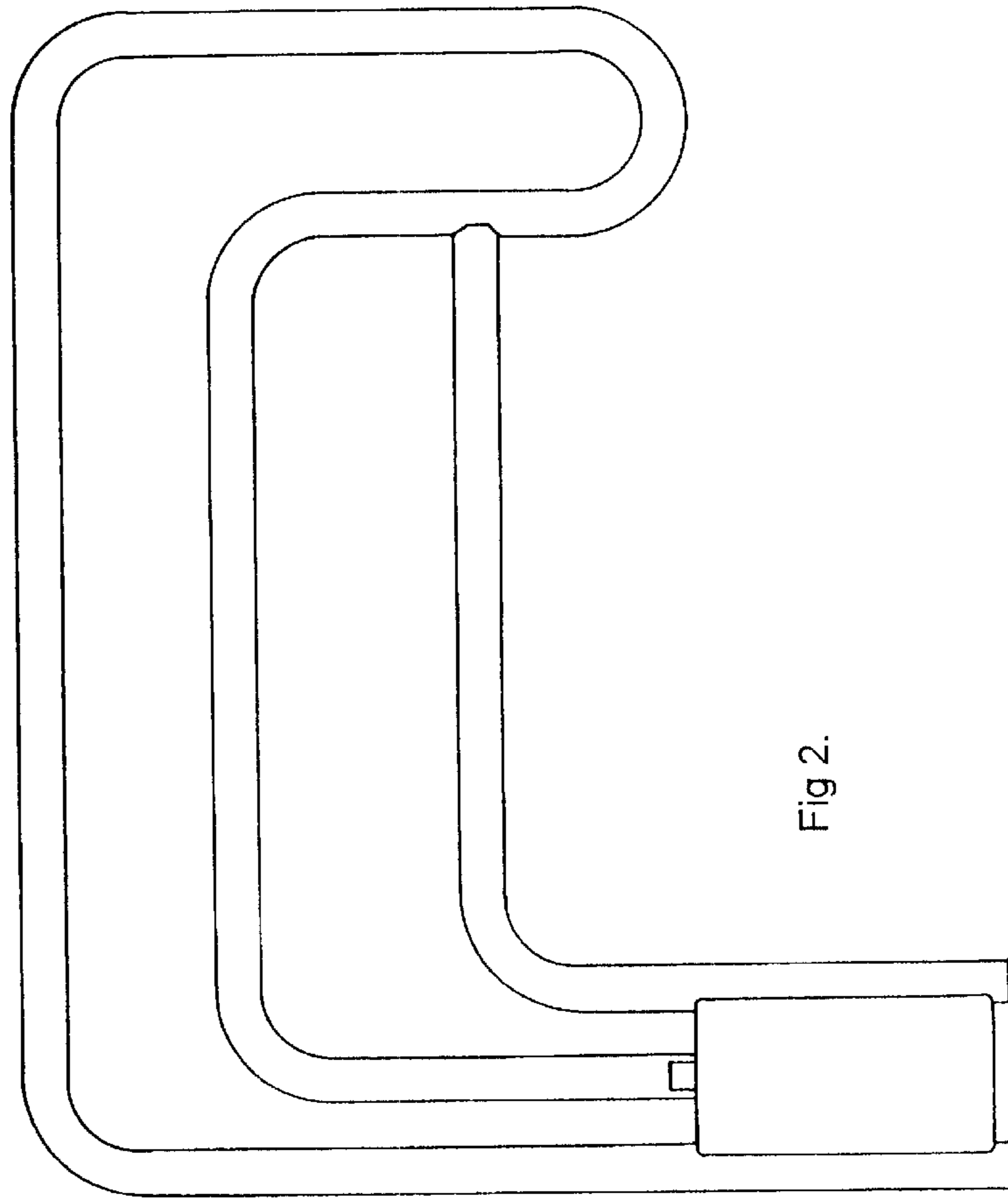


Fig 2.



Fig 4.

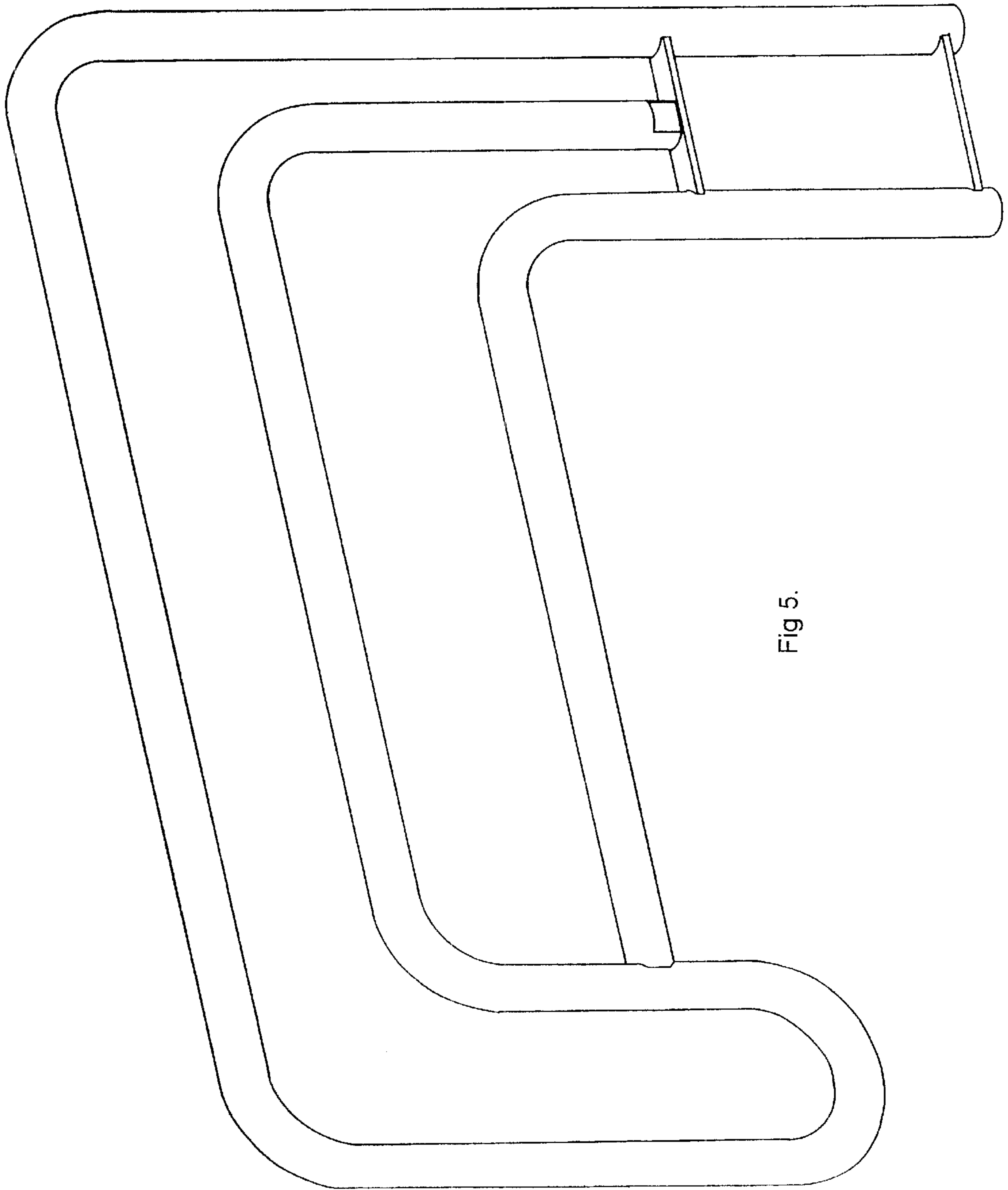


Fig 5.

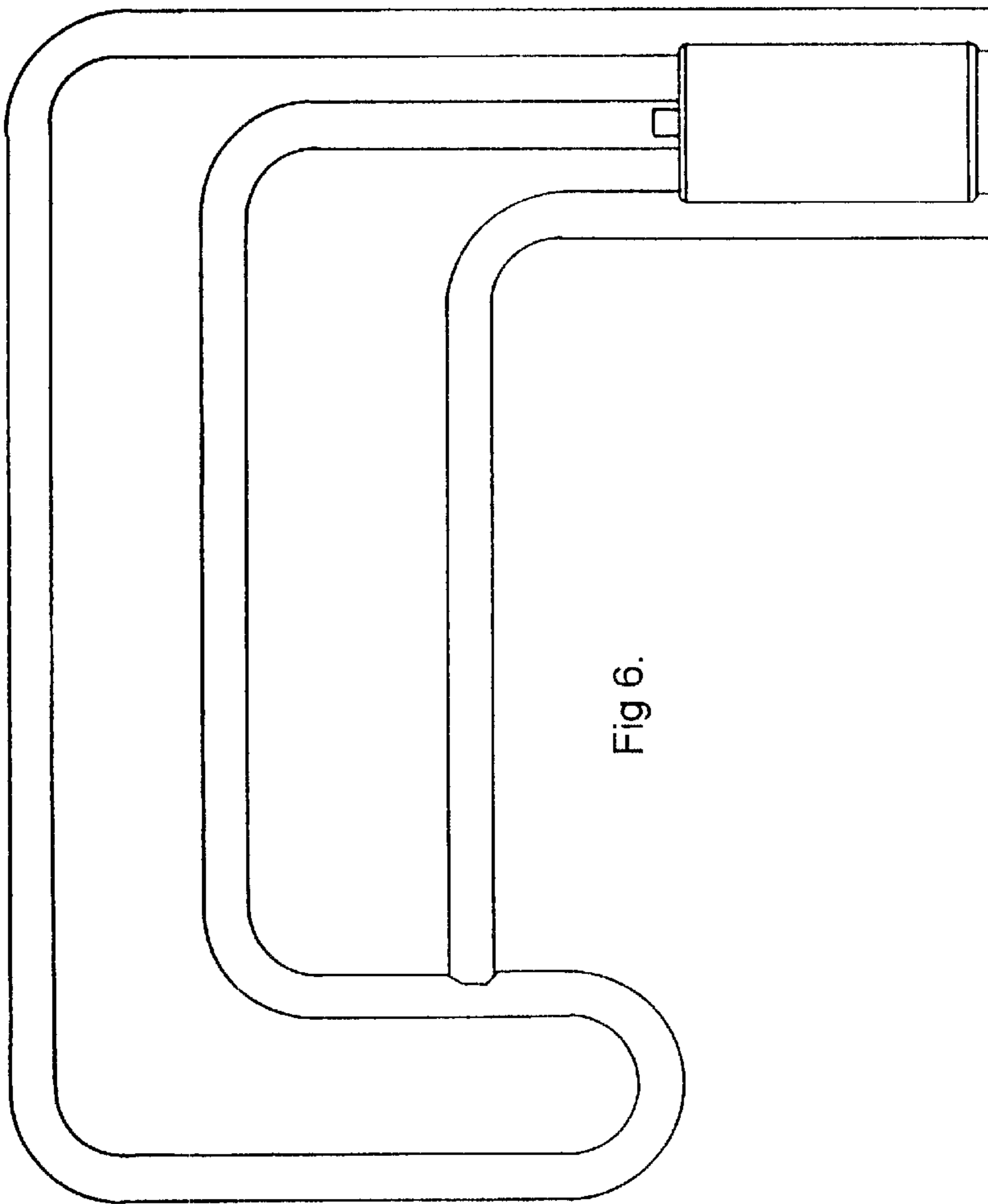


Fig 6.



Fig 8.



Fig 7.