



US00D475558S

(12) **United States Design Patent**  
**Chen**

(10) **Patent No.:** **US D475,558 S**

(45) **Date of Patent:** **\*\* Jun. 10, 2003**

(54) **CHAIR ARM**

D424,845 S \* 5/2000 Grove ..... D6/501  
D439,083 S \* 3/2001 Tseng ..... D6/501

(76) Inventor: **Yung-Hua Chen**, No. 176, Changrung Road, Changshing Tsuen, Luju Shiang, Taoyuan Hsien (TW)

\* cited by examiner

(\*\*) Term: **14 Years**

*Primary Examiner*—Gary D. Watson  
(74) *Attorney, Agent, or Firm*—Rosenberg, Klein & Lee

(21) Appl. No.: **29/164,573**

(22) Filed: **Jul. 29, 2002**

(57) **CLAIM**

The ornamental design for a chair arm, as show and described.

(51) **LOC (7) Cl.** ..... **06-06**

**DESCRIPTION**

(52) **U.S. Cl.** ..... **D6/501**

(58) **Field of Search** ..... D6/334, 335, 364,  
D6/365, 366, 367, 500, 501, 502; 297/411.2,  
411.28

FIG. 1 is a right perspective view of a chair arm showing my new design;

FIG. 2 is a left perspective view thereof;

FIG. 3 is a front elevational view thereof;

FIG. 4 is a rear elevational view thereof;

FIG. 5 is a left side elevational view thereof;

FIG. 6 is a right side elevational view thereof;

FIG. 7 is a top plan view thereof; and,

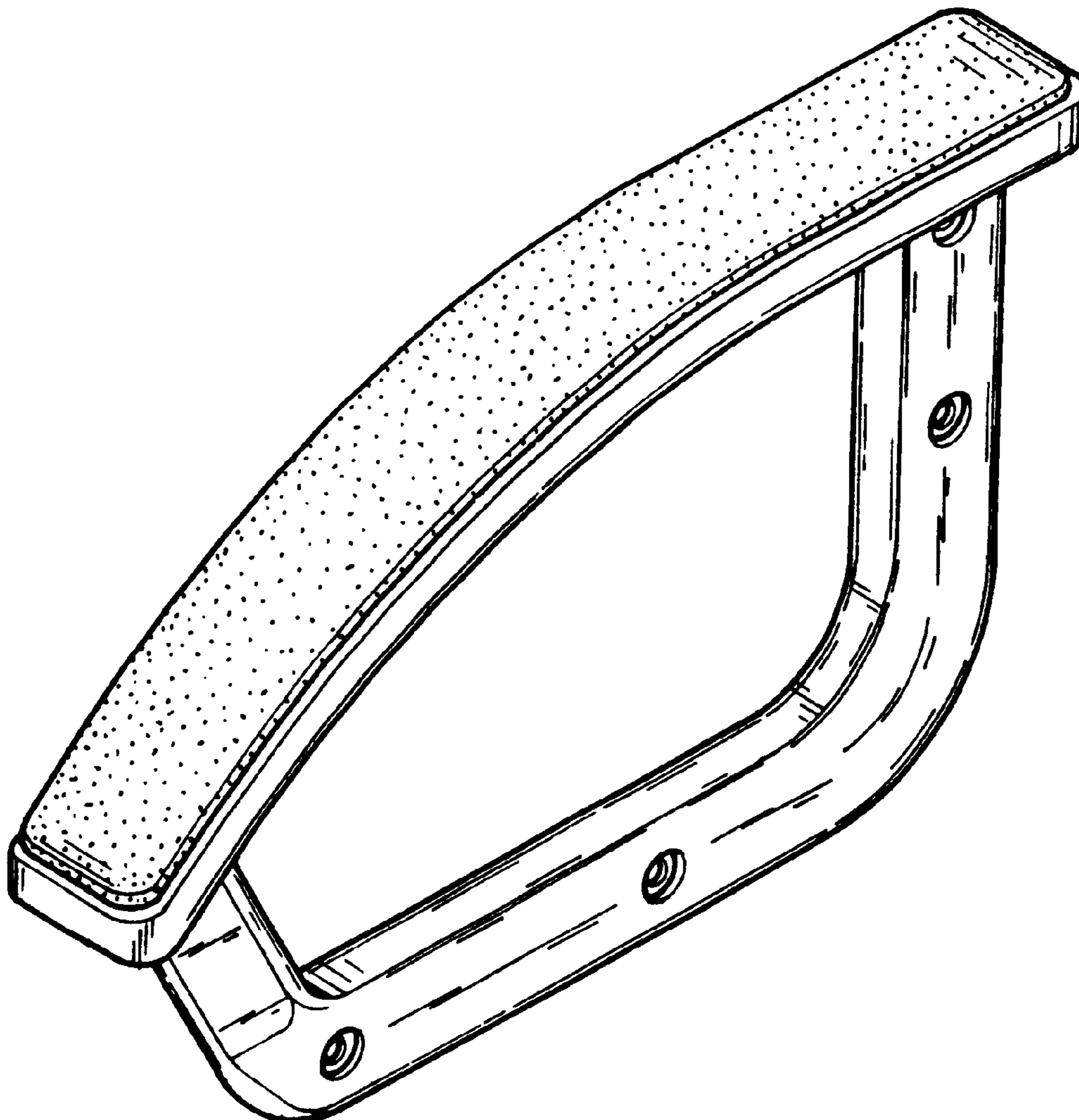
FIG. 8 is a bottom plan view thereof.

(56) **References Cited**

**U.S. PATENT DOCUMENTS**

D403,185 S \* 12/1998 Tseng ..... D6/501  
D408,182 S \* 4/1999 Tseng ..... D6/501  
D408,641 S \* 4/1999 Tseng ..... D6/366

**1 Claim, 4 Drawing Sheets**



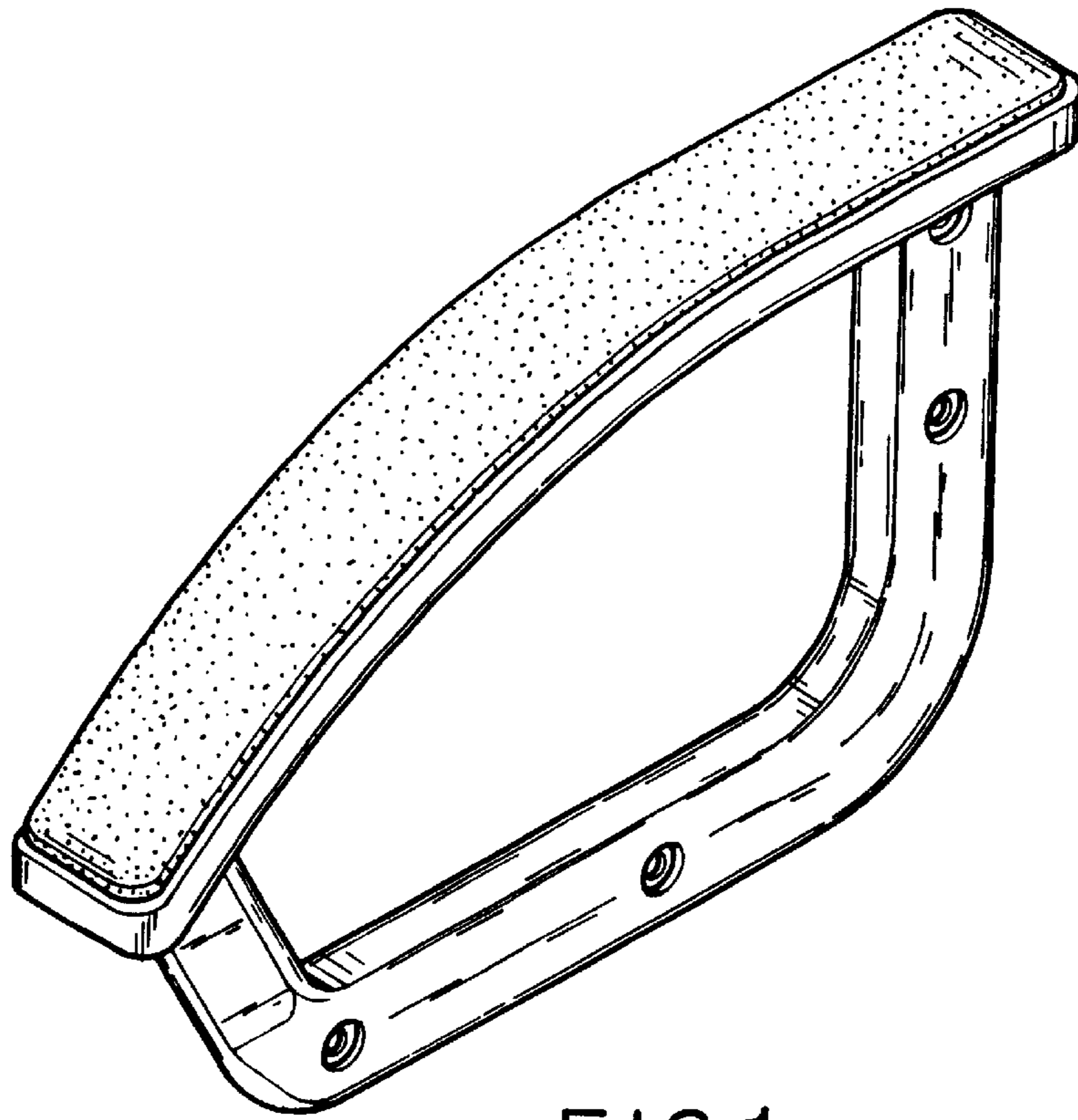


FIG. 1

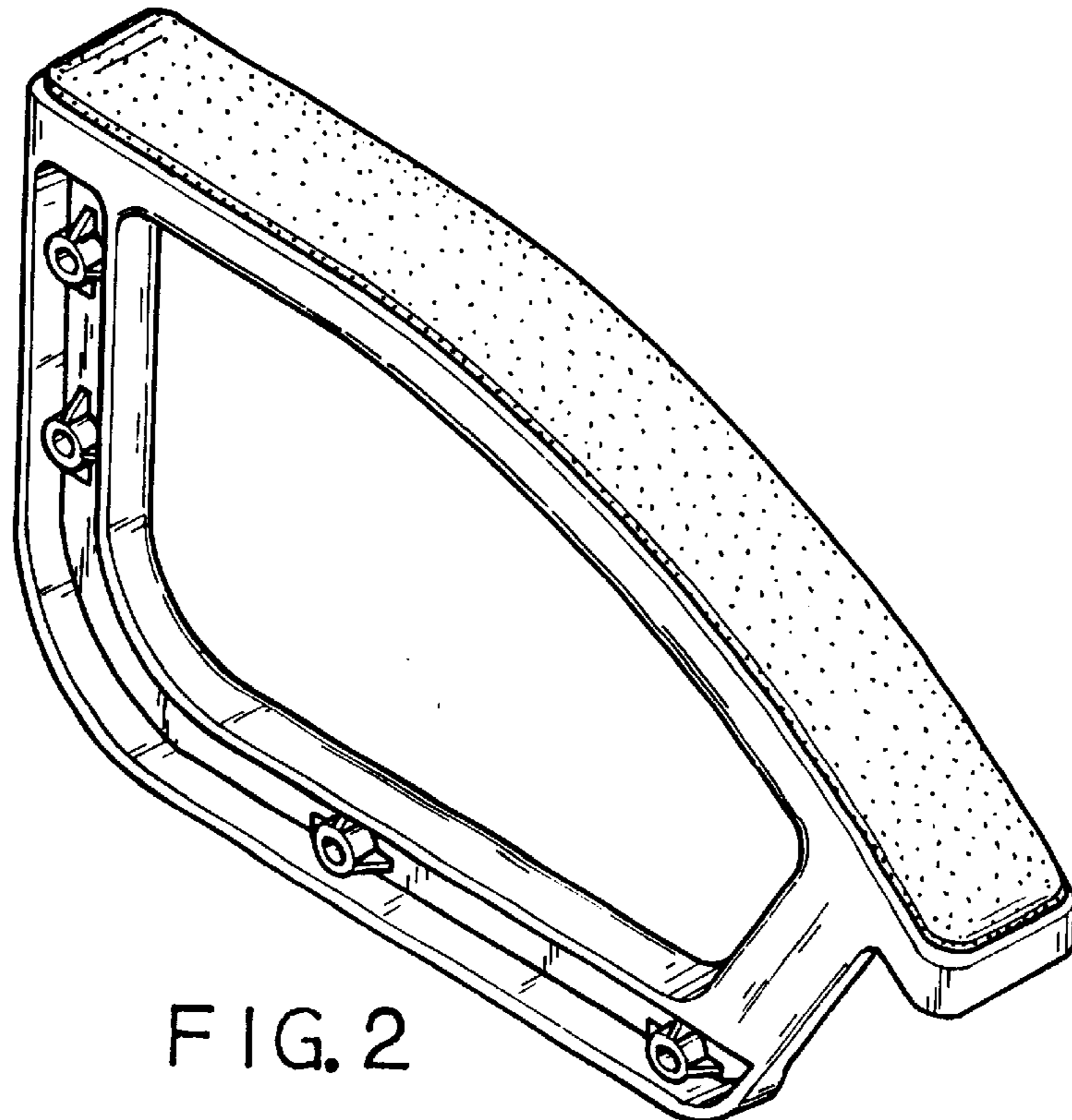


FIG. 2

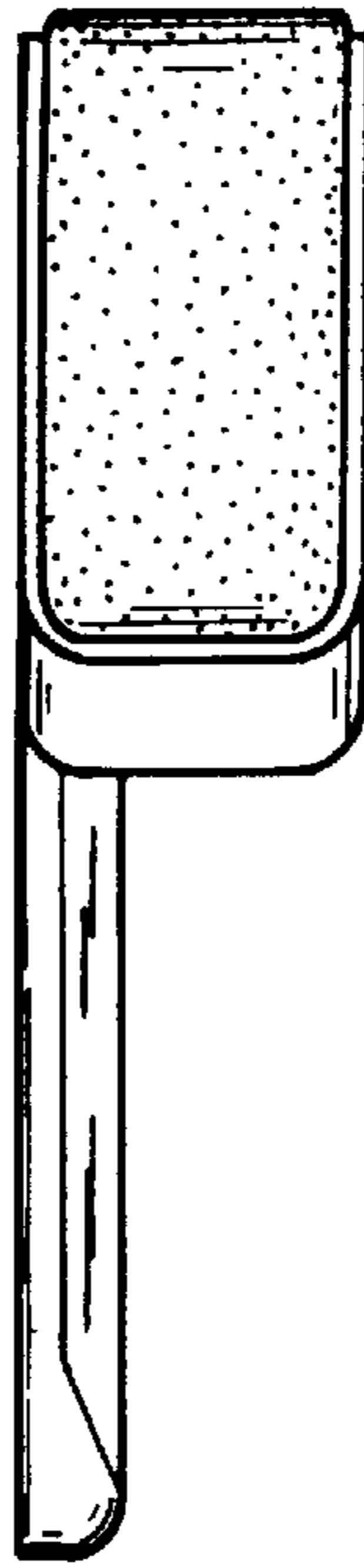


FIG. 3

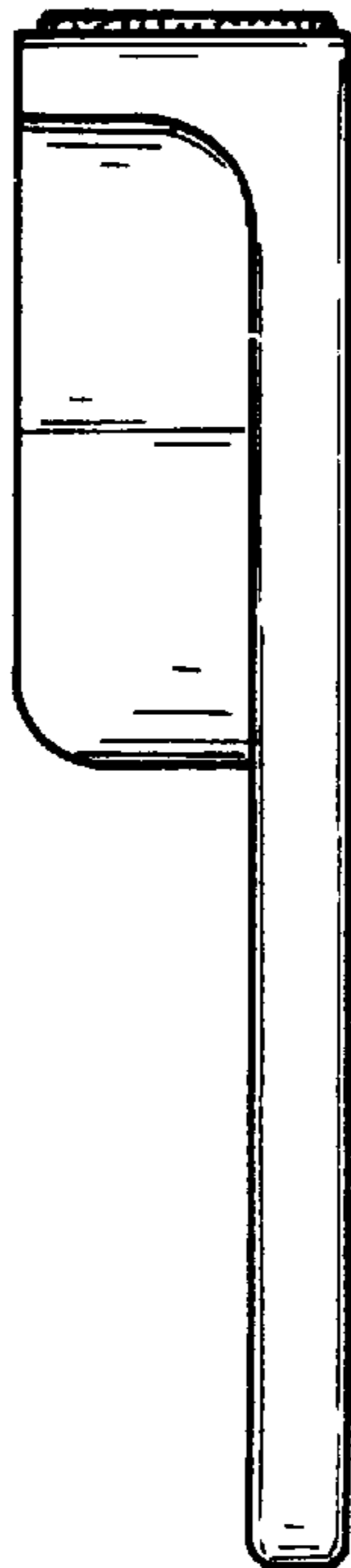


FIG. 4

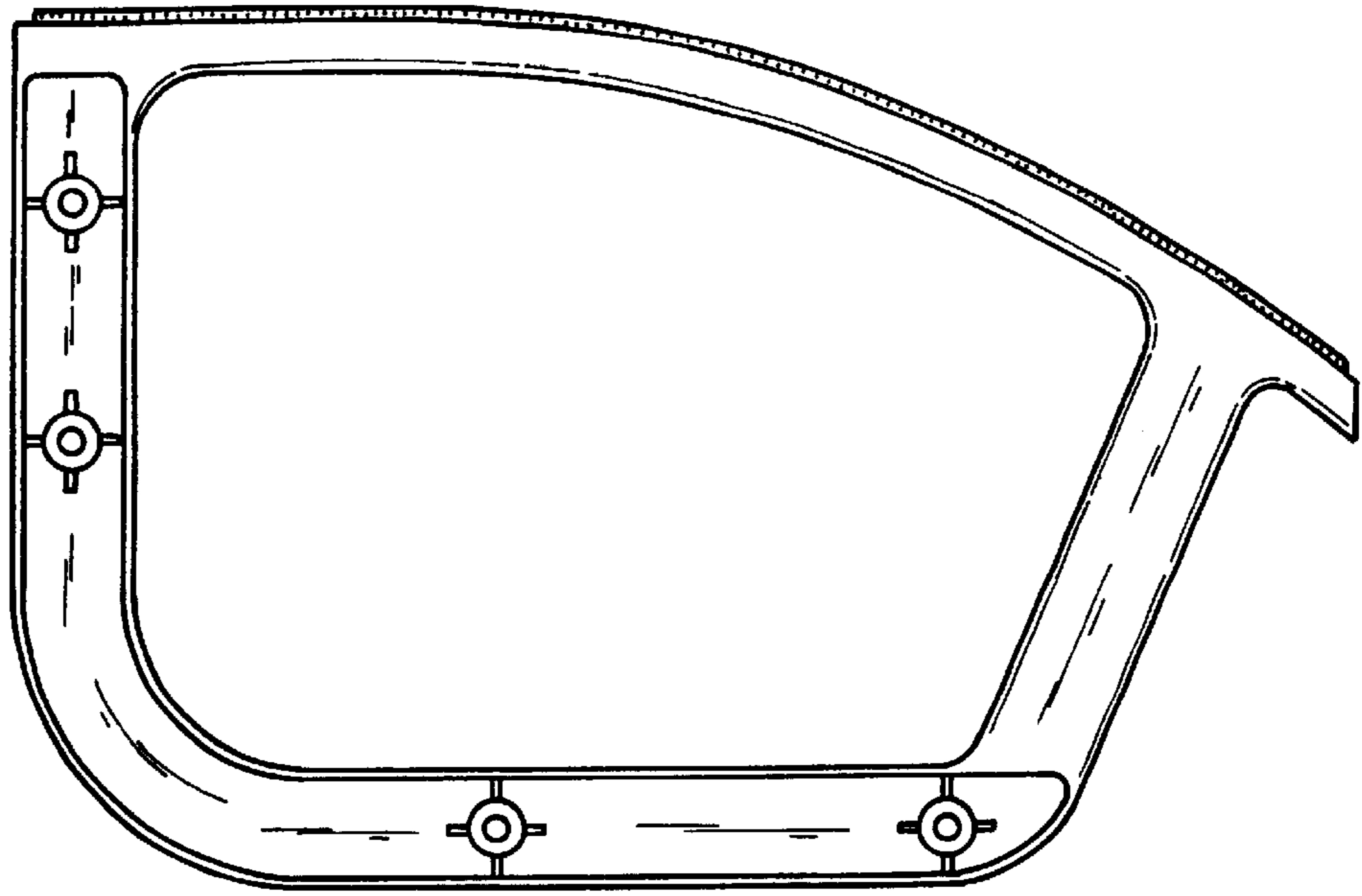


FIG. 5

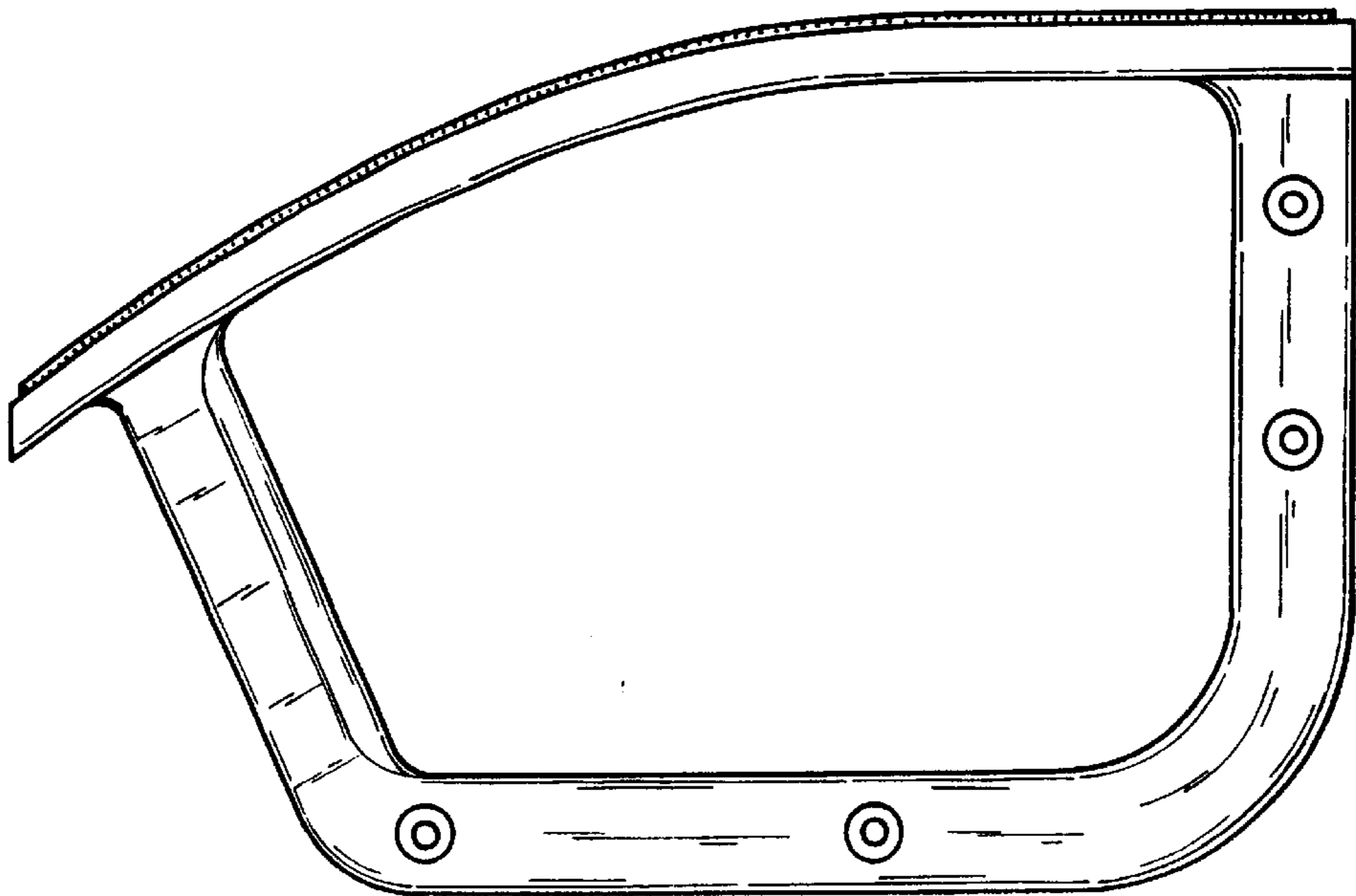


FIG. 6

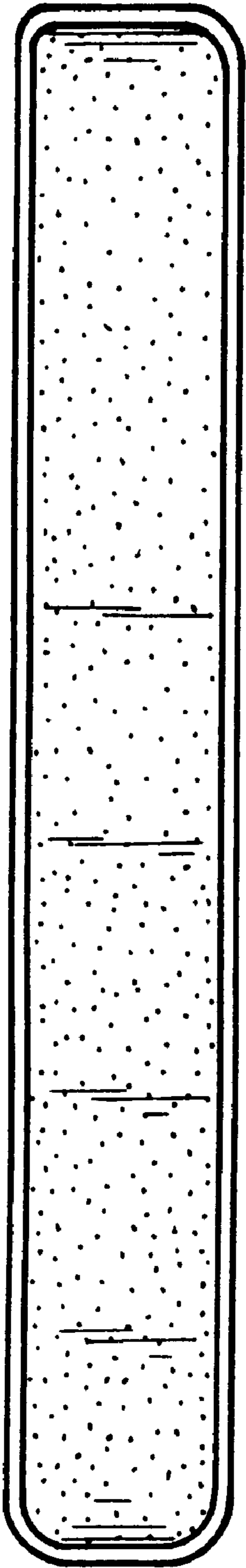


FIG. 7

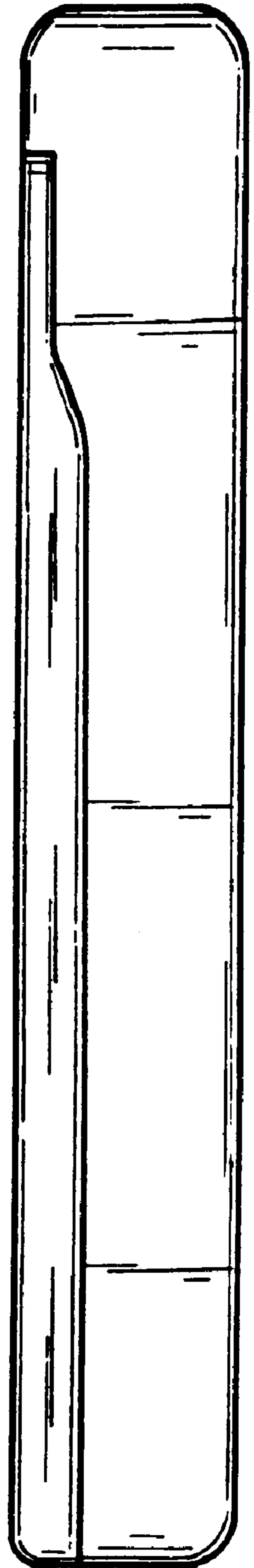


FIG. 8