



US00D475540S

(12) **United States Design Patent**
Pomeroy et al.

(10) **Patent No.:** **US D475,540 S**

(45) **Date of Patent:** **** Jun. 10, 2003**

(54) **GLIDER**

(75) Inventors: **Charles Pomeroy**, South Bend, IN
(US); **John T. Bycraft**, South Bend, IN
(US)

(73) Assignee: **Jack-Post Corporation**, Buchanan, MI
(US)

(**) Term: **14 Years**

(21) Appl. No.: **29/160,991**

(22) Filed: **May 20, 2002**

(51) **LOC (7) Cl.** **06-01**

(52) **U.S. Cl.** **D6/344**

(58) **Field of Search** D6/334, 335, 344,
D6/347, 364, 365, 374, 375, 376, 379,
381, 500-502; 297/171, 258.1, 280, 281,
282, 344.42, 411.42, 411.44, 452.63

(56) **References Cited**

U.S. PATENT DOCUMENTS

D92,012 S	4/1934	McGowen	
D98,065 S	1/1936	Hardy	
D99,375 S	4/1936	Spangler	
D99,530 S	5/1936	Spencer, III	
D103,956 S	4/1937	Rink	
D110,560 S	7/1938	Goldberg	
D121,462 S	7/1940	Tabb	
D135,777 S	6/1943	Smith	
D141,705 S	6/1945	Slaughter	D6/69
D149,900 S	6/1948	Mock	D6/177
D153,162 S	3/1949	Nelems	D6/347
D154,356 S	7/1949	Allmand	D6/52
2,567,612 A	9/1951	McGehee	155/61
D165,835 S	2/1952	Glass	D6/146
3,078,101 A	2/1963	Reese	280/30
D256,744 S	9/1980	Mark	D6/45
D257,653 S	12/1980	Berlic	D6/177
D259,308 S	5/1981	Sroub	D6/52
D263,908 S	4/1982	Imber	D6/146
D265,952 S	8/1982	Theodore	D6/45
D281,376 S	11/1985	Gregory, III	D6/379
D281,378 S	11/1985	Parker	D6/344

D290,911 S	7/1987	Pomeroy et al.	D6/347
D296,272 S	6/1988	Colby	D6/347
D298,490 S	11/1988	Pomeroy et al.	D6/347
D306,530 S	3/1990	Vanderminden	D6/347
D307,361 S	4/1990	Pomeroy et al.	D6/347
D307,362 S	4/1990	Pomeroy et al.	D6/347
D307,363 S	4/1990	Pomeroy et al.	D6/347
4,919,480 A	4/1990	Drew, III	297/244
D307,523 S	5/1990	Pomeroy et al.	D6/347
D310,604 S	9/1990	Pomeroy et al.	D6/347
D325,823 S	5/1992	Pomeroy et al.	D6/335
D327,584 S	7/1992	Braxton, III	D6/347
D328,197 S	7/1992	Braxton, III	D6/347
D334,485 S	4/1993	Pomeroy et al.	D6/344
D338,563 S	8/1993	Chiang	D6/344
D341,037 S	11/1993	Pomeroy et al.	D6/372

(List continued on next page.)

OTHER PUBLICATIONS

1987 Jack-Post Catalog: Outdoor Furniture/Outdoor Products.

(List continued on next page.)

Primary Examiner—Doris V. Coles

Assistant Examiner—Mimosa De

(74) *Attorney, Agent, or Firm*—Jenkins & Gilchrist

(57) **CLAIM**

The ornamental design for glider, as shown and described.

DESCRIPTION

FIG. 1 is a front perspective view of the glider showing our new design;

FIG. 2 is a front elevational view;

FIG. 3 is an end elevational view;

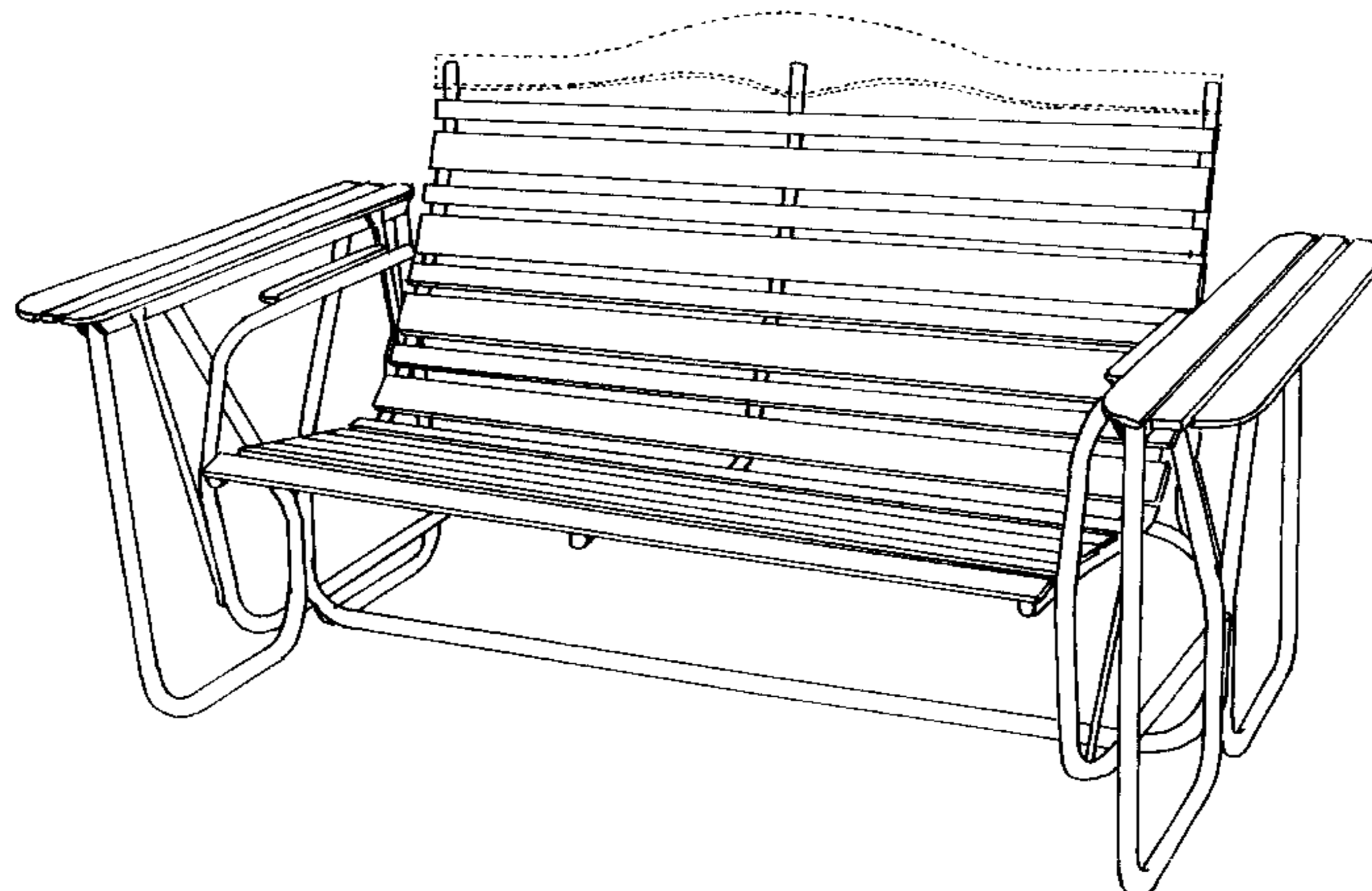
FIG. 4 is a top plan view;

FIG. 5 is a bottom plan view; and,

FIG. 6 is a rear elevational view.

The broken line showing of the top slat of the glider is for illustrative purposes only and forms no part of the claimed design.

1 Claim, 6 Drawing Sheets



U.S. PATENT DOCUMENTS

D349,818 S	8/1994	Noll	D6/61
D350,855 S	9/1994	Pomeroy et al.	D6/344
D361,673 S	8/1995	Pomeroy et al.	D6/344
D362,349 S	9/1995	Pomeroy et al.	D6/344
D365,692 S	1/1996	Pomeroy et al.	D6/334
5,667,273 A	9/1997	Noll	297/171
D400,720 S	11/1998	Pomeroy et al.	D6/334
D401,090 S	11/1998	Pomeroy et al.	D6/500
D410,340 S	6/1999	Pomeroy et al.	D6/344
D417,559 S	12/1999	Pomeroy et al.	D6/344
D430,743 S	9/2000	Pomeroy et al.	D6/336
D432,323 S	10/2000	Pomeroy et al.	D6/344
D443,425 S	6/2001	Pomeroy et al.	D6/344
D449,454 S	10/2001	Pomeroy et al.	D6/344
D450,193 S	11/2001	Pomeroy et al.	D6/344
D450,937 S	11/2001	Pomeroy et al.	D6/344

OTHER PUBLICATIONS

1988 Jack Post Catalog: Outdoor Furniture/Outdoor Products/Building Products.

1989 Jack Post Catalog: Outdoor Furniture/Outdoor Products/Building Products.

1990 Iron Mountain Catalog: Fine Outdoor and Patio Furniture; Iron Mountain.

1991 Jack Post Catalog: Outdoor Furniture/Outdoor Products/Building Products.

1992 Jack Post Catalog: Outdoor Furniture/Outdoor Products/Building Products.

Leaflet: Grand Isle LGL-51HB Traditional High Back Glider and LGL-51Z Glider; Cardinal Home Products of Cleveland, Ohio; date unknown.

Leaflet: Grand Isle LGL-48JHBG High Bark Glider-Premium; Cardinal Home Products of Cleveland, Ohio, undated.

Leaflet: Grand Isle LGL-22JHBG High Back Chair; Cardinal Home Products of Cleveland, Ohio, undated.

Leaflet: Grand Isle LGL-22Z Glider Chair; Cardinal Home Products of Cleveland, Ohio, undated.

Leaflet: Grand Isle LGL-44TV Glider and LGL-44V Glider; Cardinal Home Products of Cleveland, Ohio, undated.

Leaflet: Grand Isle LGL-48TZ Deluxe Glider With Side Tables and LGL-48Z Deluxe Glider; Cardinal Home Products of Cleveland, Ohio, undated.

Leaflet: Grand Isle LGL-60TV 6' Glider and LGL-60V 6' Glider; Cardinal Home Products of Cleveland, Ohio, undated.

Leaflet: Mountaineer Outdoor Furniture; Iron Mountain Forge; date Mar. 9, 1986.

Leaflet: Sunstar Double Glider, undated.

Leaflet: Sunstar Single Glider, undated.

Catalog: Lauan Mahogany Furniture; Cardinal American of Bedford Hts., Ohio; 1985, undated.

Assembly Instructions for Your New Glider; C&H Houston, Inc. of Houston, Texas, undated.

Leaflet: 801106 5 ft. Glider; Flanders Industries, Inc. of Fort Smith, Arkansas, undated.

Leaflet: Glider; Oakwood Manufacturing Inc. of Oxford, Michigan, undated.

Leaflet: Glider; Iron Mountain Forge of Farmington, Missouri, undated.

Leaflet: Product of American Handcrafted Indoor Outdoor Furniture; Ozark Wood Products, Inc. of Chicago, Illinois, undated.

Leaflet: Glider; Behlen Mfg. Co. of Columbus, Nebraska, undated.

Leaflet: Chair Gliders; Behlen Mfg. Co. of Columbus, Nebraska, undated.

1990 Jack-Post Catalog: Outdoor Furniture/Outdoor Products.

1993 Jack Post Catalog: Outdoor Furniture/Outdoor Products/Building Products.

1994 Jack Post Catalog: Thirtieth Anniversary.

1995 Jack Post Catalog: Outdoor Furniture/Outdoor Products/Building Products.

Flanders Industries, Inc. Royal Park Outdoor Furniture Glider from late 1980's.

2000 Jack-Post Furniture Products Catalog pp. 2, 3, 4, 6.

Leaflet: Holiday Club™ Patio Furniture Kits, undated.

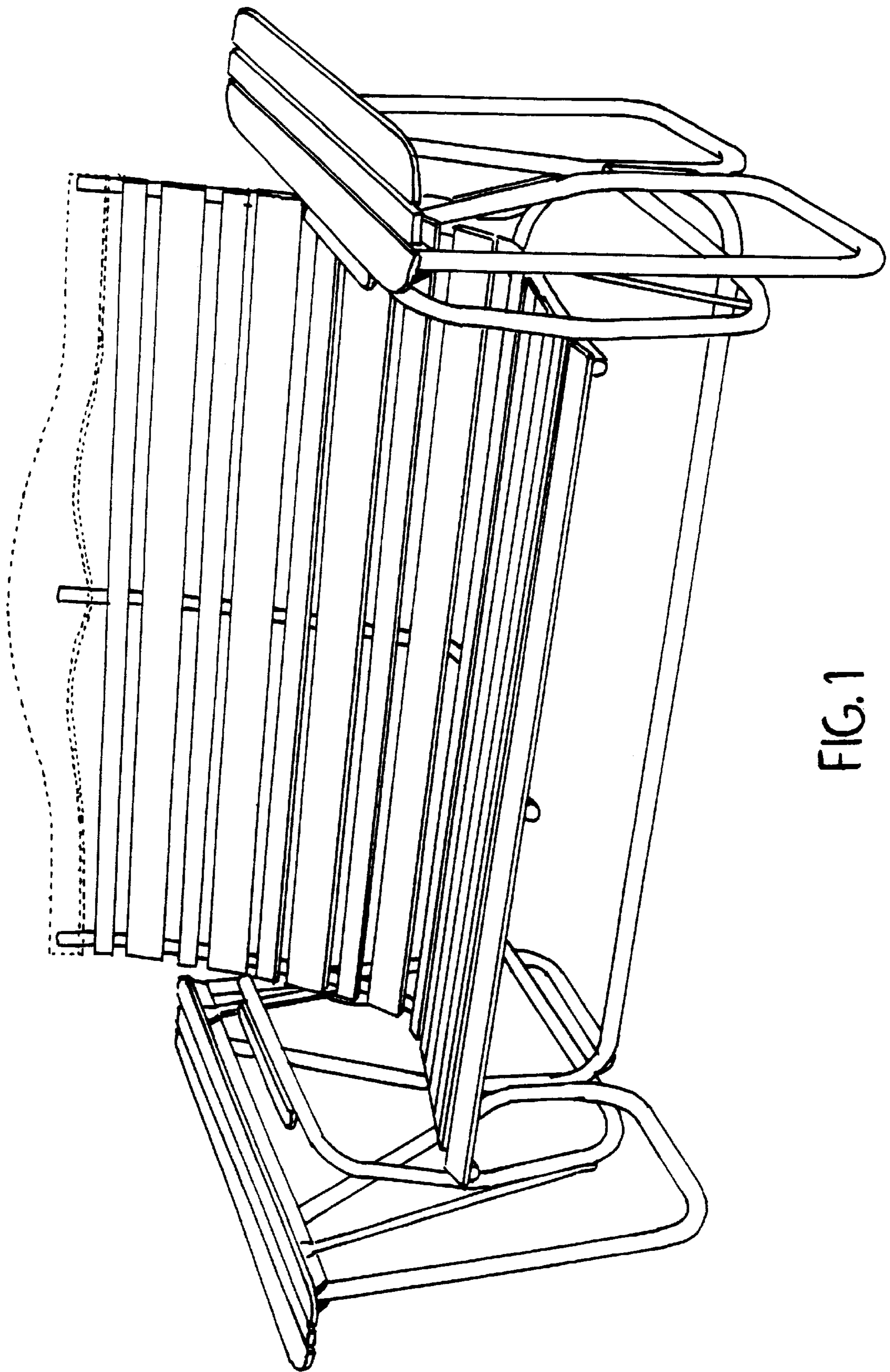


FIG. 1

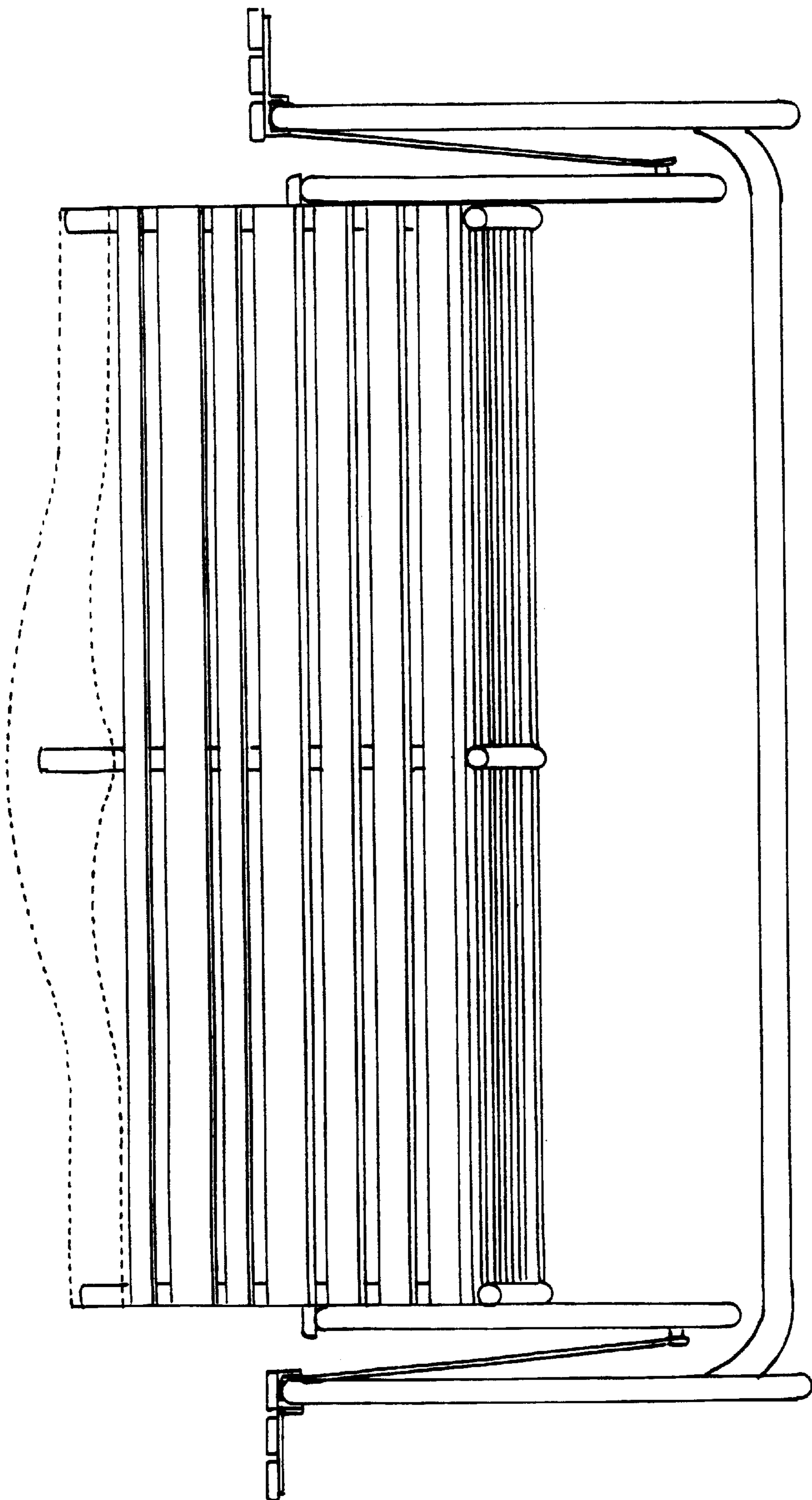


FIG. 2

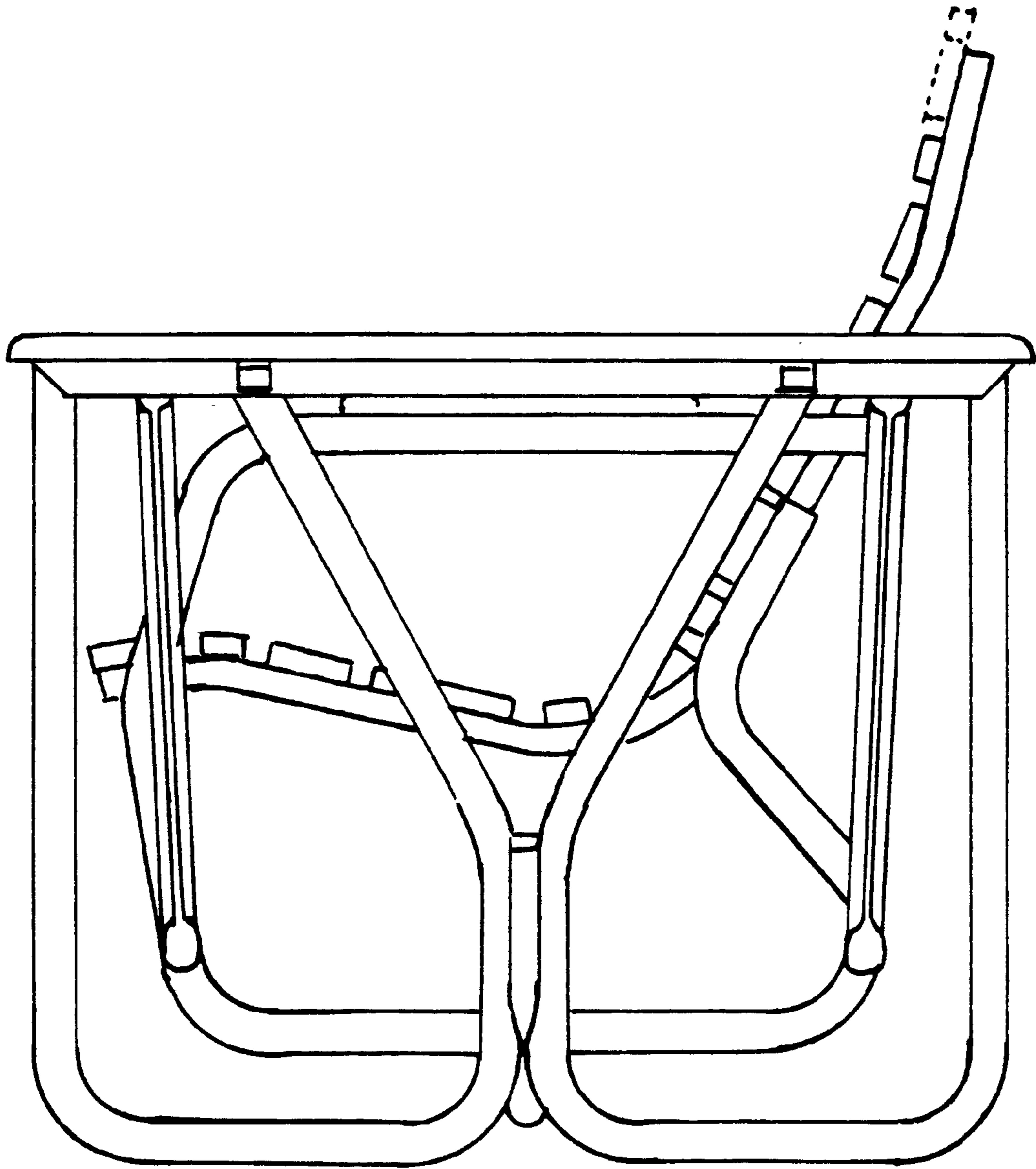


FIG. 3

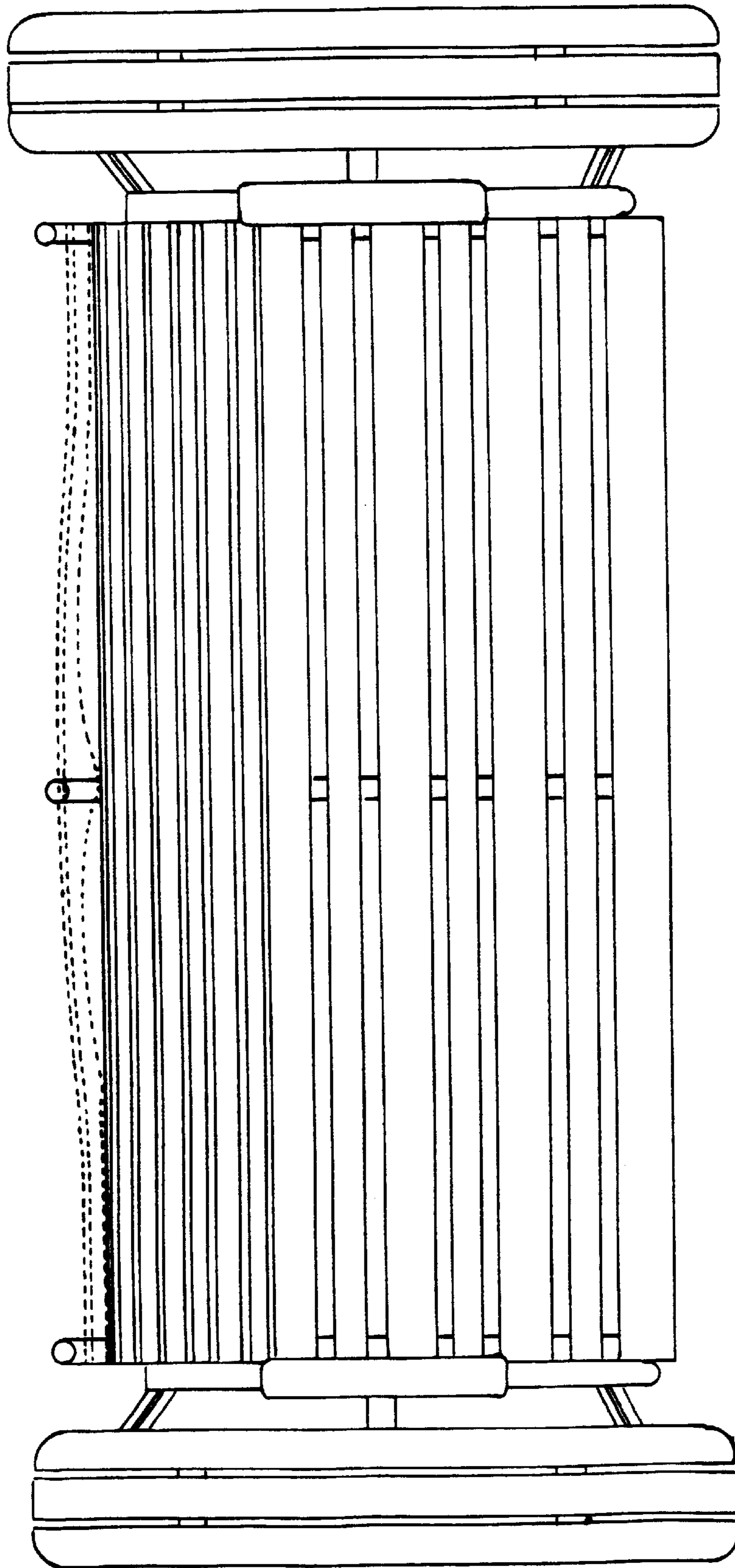


FIG. 4

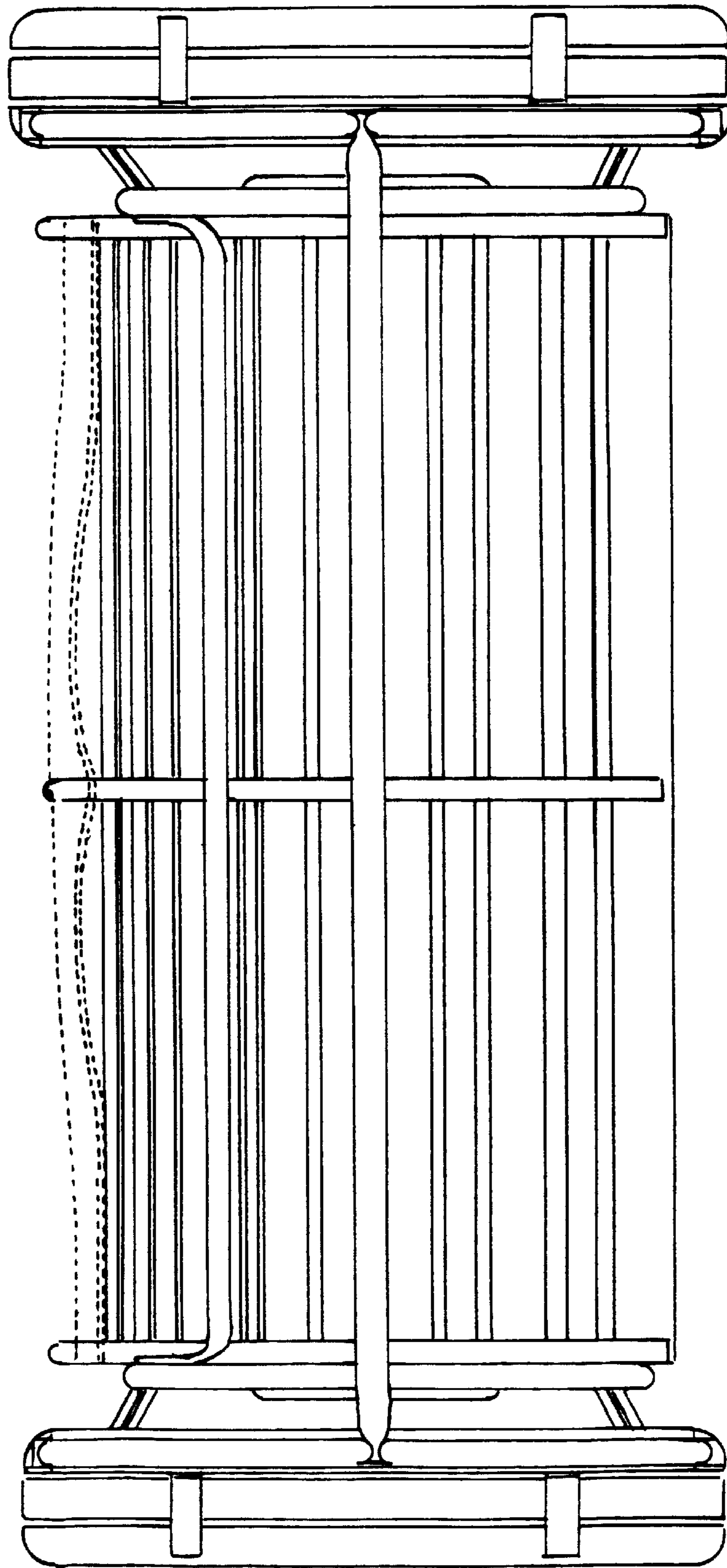


FIG. 5

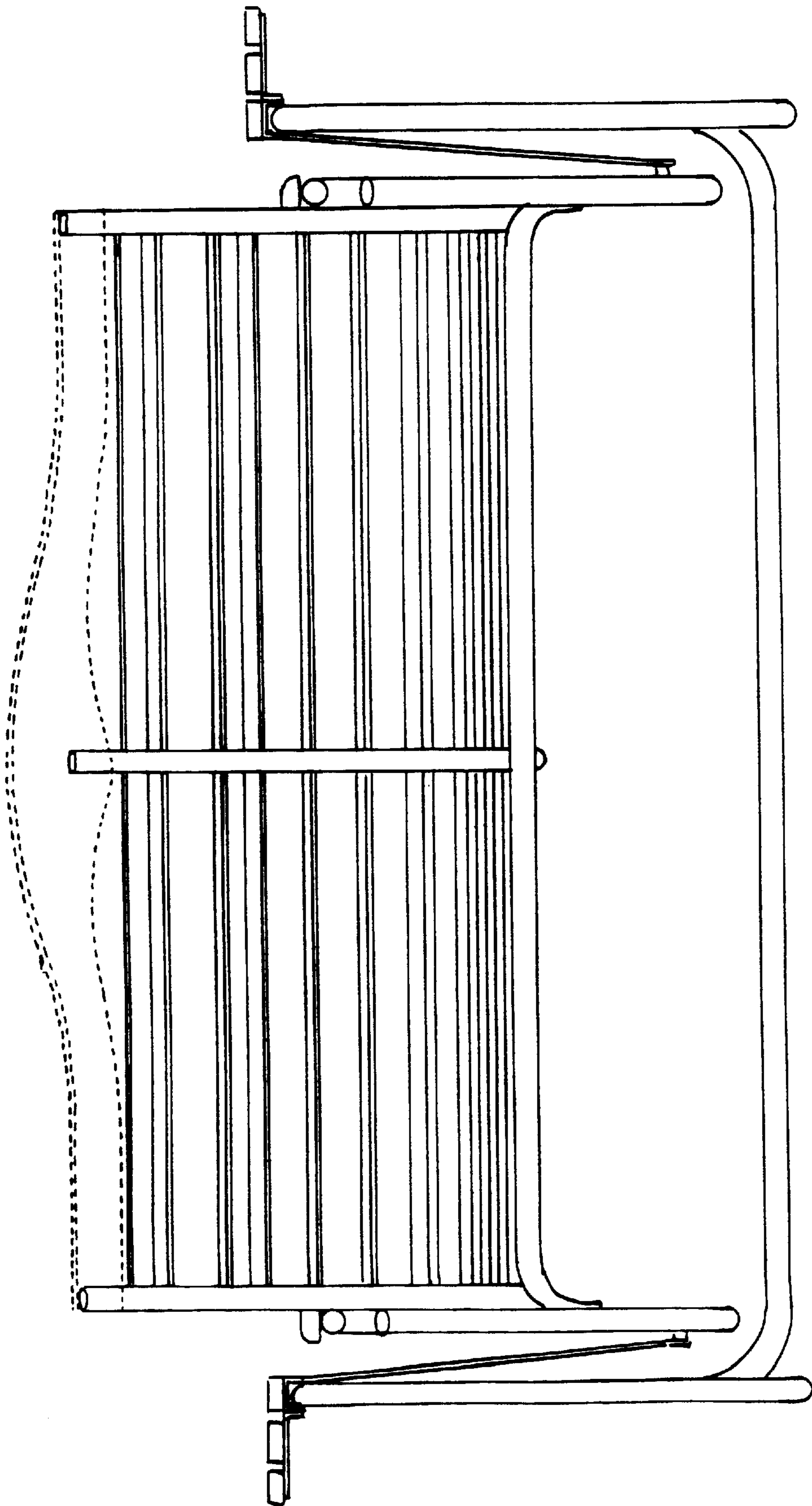


FIG. 6