



US00D475538S

(12) **United States Design Patent**
Jessen et al.

(10) **Patent No.: US D475,538 S**
(45) **Date of Patent: ** Jun. 10, 2003**

(54) **COVER FOR A ROLL OF TAPE**

6,127,014 A 10/2000 McKay, Jr.

(75) Inventors: **Todd J. Jessen**, St. Paul, MN (US);
Andrew C. Anderson, Hudson, WI (US)

FOREIGN PATENT DOCUMENTS

JP 8-322778 12/1996
JP 9-75293 3/1997
WO WO 83/01734 5/1983

(73) Assignee: **3M Innovative Properties Company**,
St. Paul, MN (US)

OTHER PUBLICATIONS

(**) Term: **14 Years**

“Nitoms Colo-colo Cleaner”, [retrieved from internet on Feb. 11, 2002], URL http://www.nitoms.com/seihin/2_b.html, and http://www.nitoms.com/kaisha/1_c.html 4 pages, in Japanese (translation attached) by Nitoms Inc., 2000.

(21) Appl. No.: **29/151,674**

(22) Filed: **Nov. 9, 2001**

(51) **LOC (7) Cl. 04-99**

(52) **U.S. Cl. D4/199**

(58) **Field of Search** D4/122, 199; 15/104.001,
15/104.002, 246, 184, 230.11; 206/389,
411

U.S. patent application Ser. No. 29/151,486, Jessen et al., filed Nov. 9, 2001.

U.S. patent application Ser. No. 10/011,139, Jessen et al., filed Nov. 9, 2001.

Primary Examiner—Alan P. Douglas
Assistant Examiner—Lavone D. Tabor

(56) **References Cited**

U.S. PATENT DOCUMENTS

3,192,548 A	7/1965	Wilbrecht
3,381,325 A	5/1968	Reineman
3,421,170 A	1/1969	Thomas, Jr.
3,623,179 A	11/1971	Roth
3,742,547 A	7/1973	Sohmer
3,906,578 A	9/1975	Huber
4,361,923 A	12/1982	McKay
4,399,579 A	8/1983	McKay
4,422,201 A	12/1983	McKay
D281,654 S	12/1985	Bladh et al.
D288,973 S	3/1987	Hamazaki
4,905,337 A	3/1990	McKay
5,027,465 A	7/1991	McKay
D336,784 S	6/1993	Yen
5,333,341 A	8/1994	Heneveld
5,338,300 A	8/1994	Cox
5,763,038 A	6/1998	Wood
D396,906 S	8/1998	Medici
5,924,157 A	7/1999	Barela
5,940,921 A	8/1999	Wood et al.
6,055,695 A	5/2000	McKay, Jr.

(57) **CLAIM**

The ornamental design for a cover for a roll of tape, as shown and described.

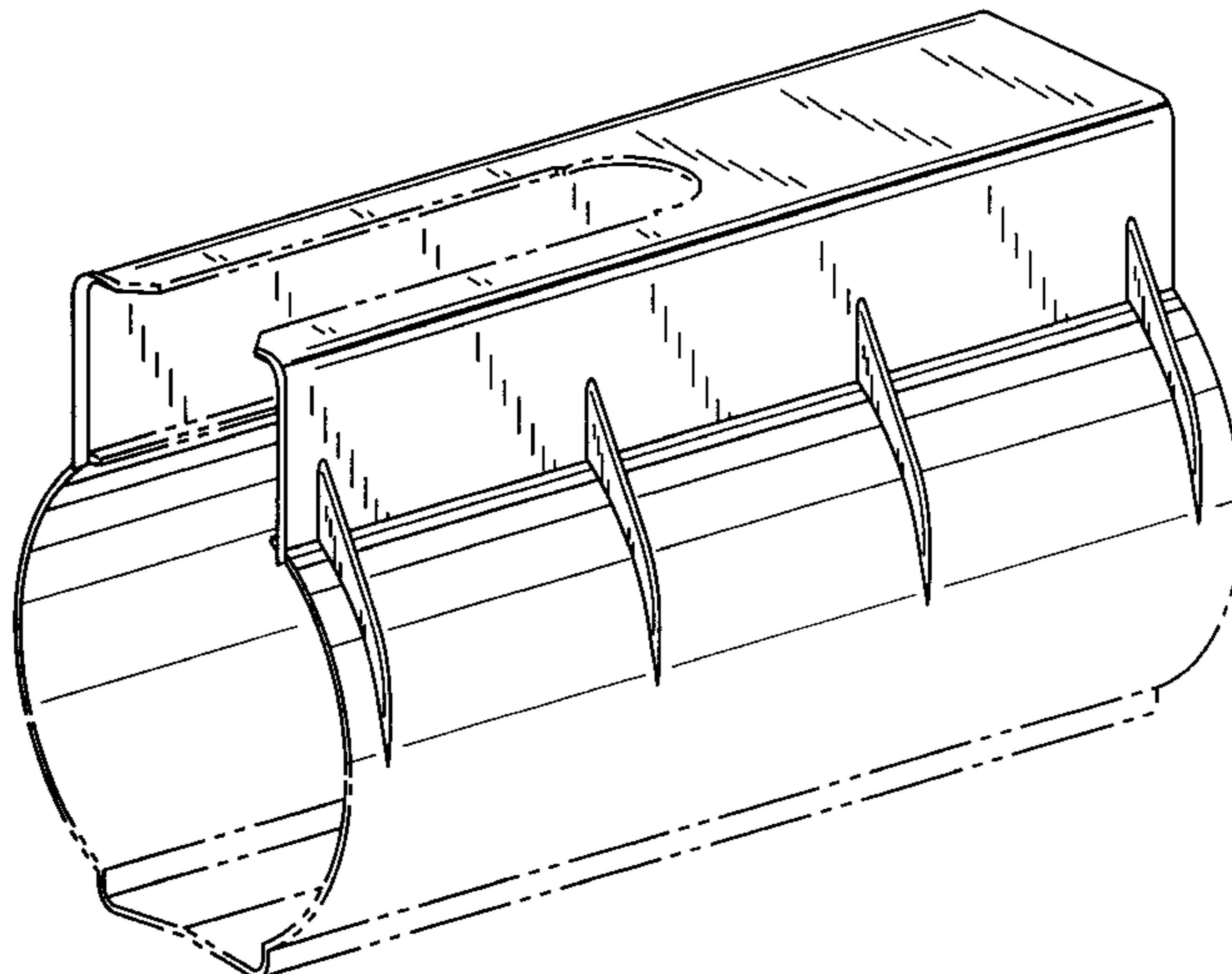
DESCRIPTION

FIG. 1 is an isometric view of a cover for a roll of tape; FIG. 2 is a right side view thereof; FIG. 3 is a top plan view thereof; FIG. 4 is a bottom plan view thereof; FIG. 5 is a front view thereof; and, FIG. 6 is a rear view thereof.

The left side view of the cover for a roll of tape is a mirror image of the right side view.

The broken lines outlining a portion of the top of the design in FIGS. 3 and 5 and outlining a portion of the rear in FIG. 6 represent the bounds of the claim and all of the other broken lines are for illustrative purposes only. None of the broken lines form part of the claimed design.

1 Claim, 2 Drawing Sheets



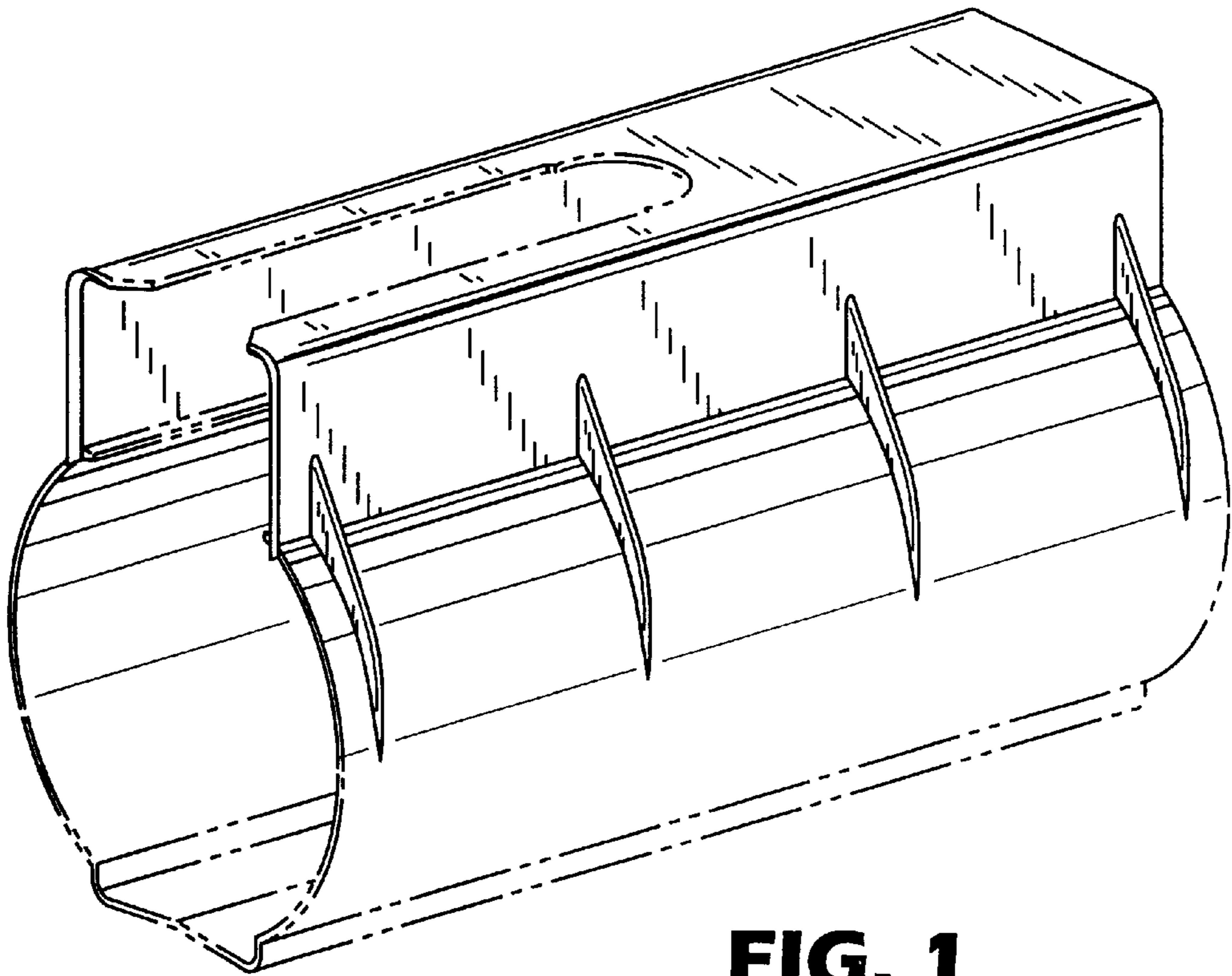


FIG. 1

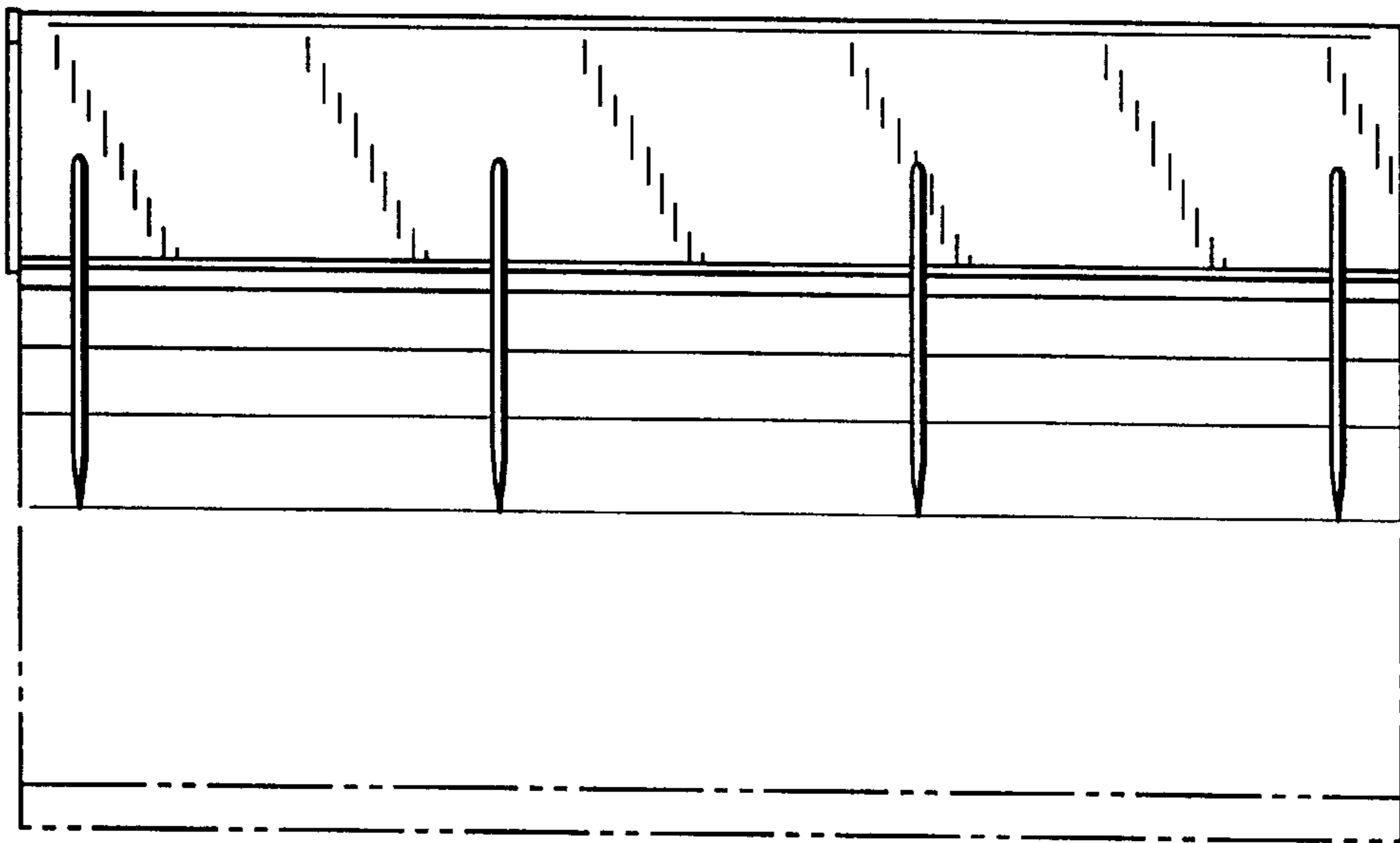


FIG. 2

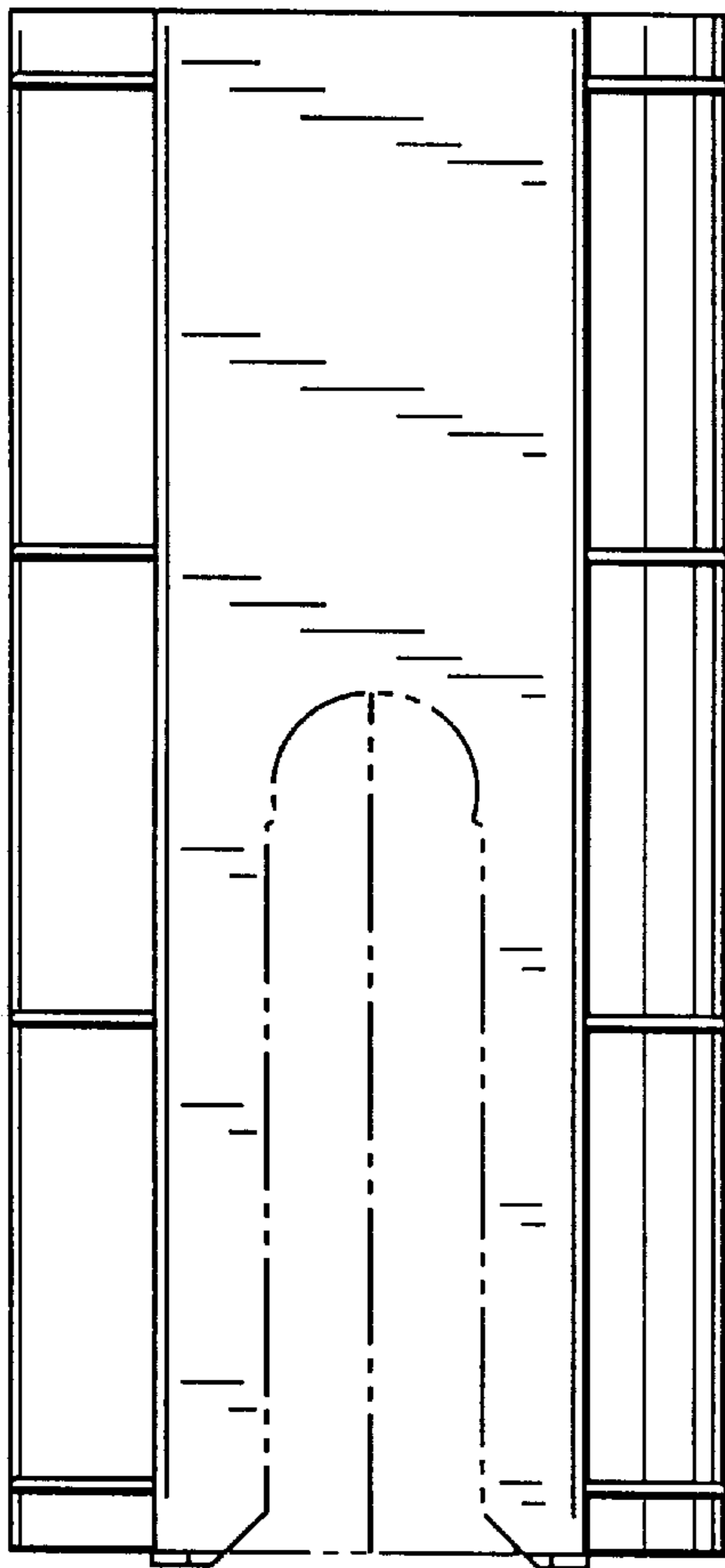


FIG. 3

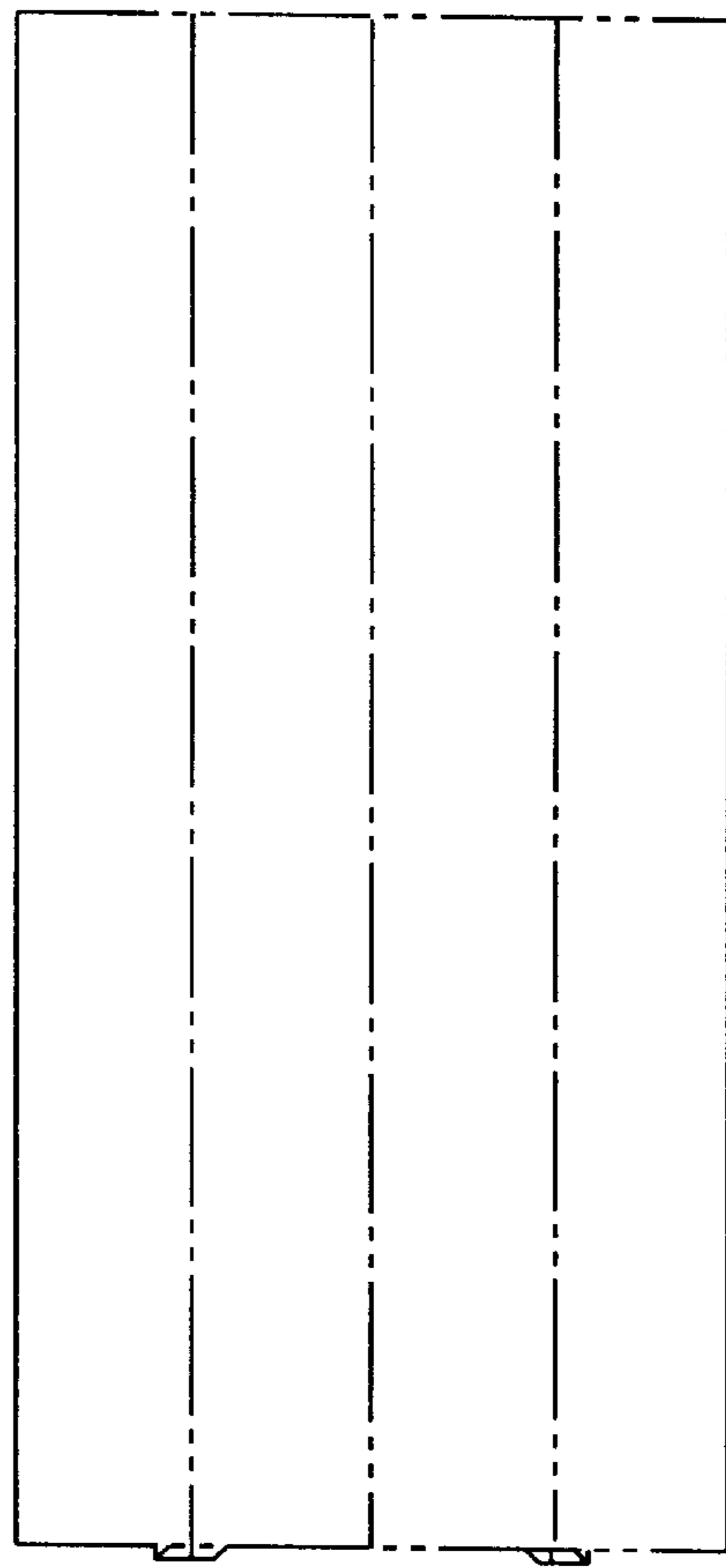


FIG. 4

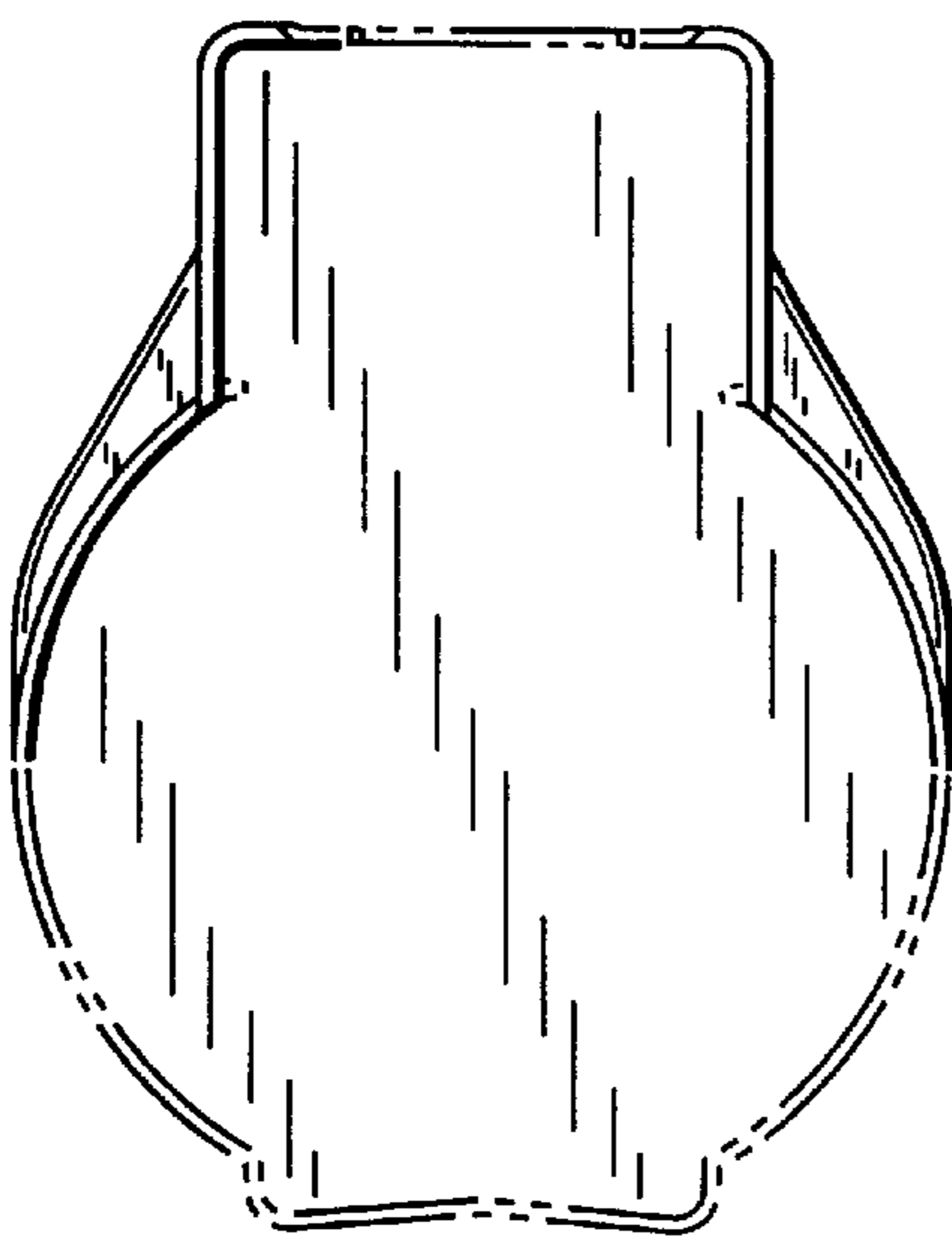


FIG. 5

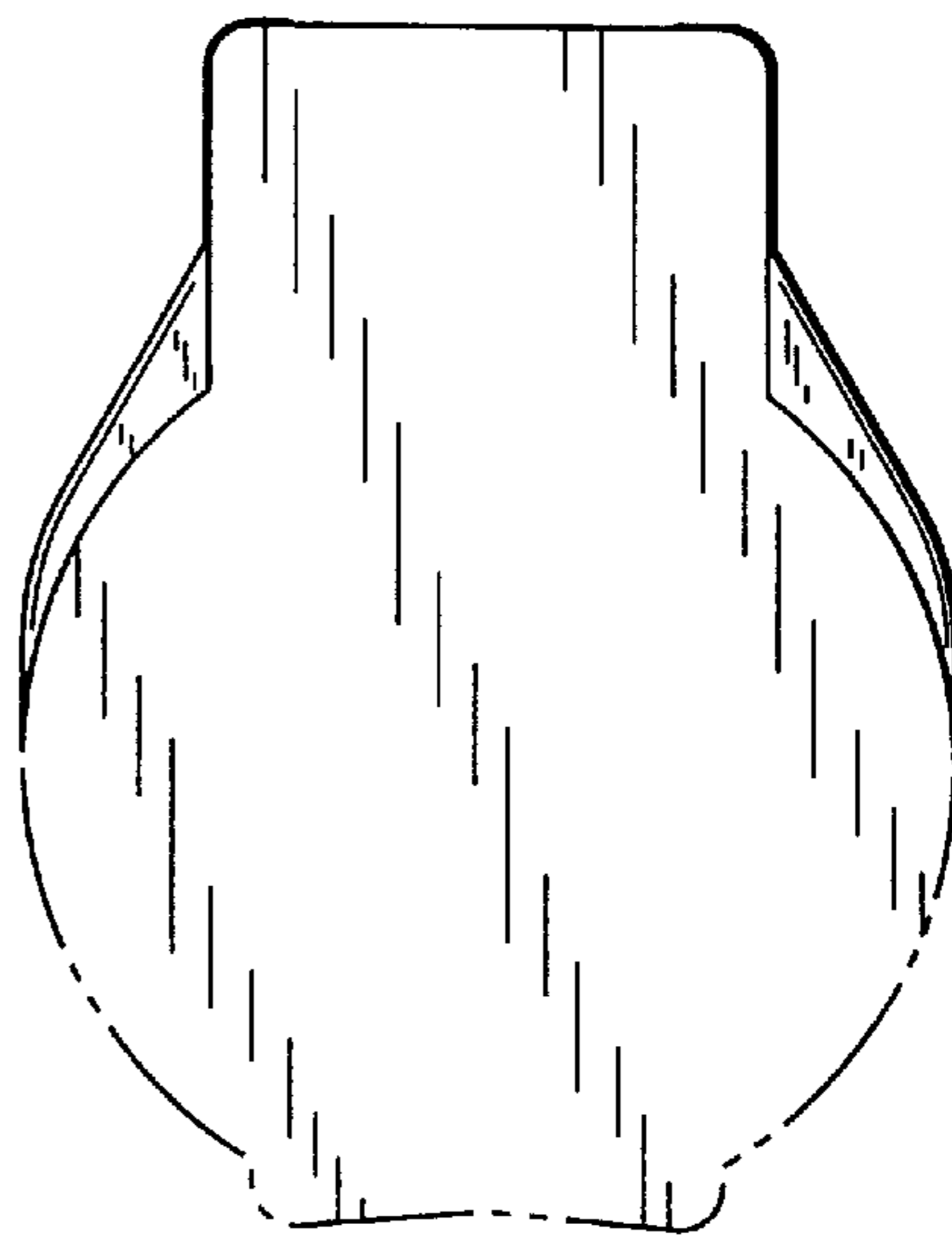


FIG. 6