



US00D475537S

(12) **United States Design Patent**
Jessen et al.

(10) **Patent No.:** **US D475,537 S**
(45) **Date of Patent:** **** Jun. 10, 2003**

(54) **COVER FOR A ROLL OF TAPE**
(75) Inventors: **Todd J. Jessen**, St. Paul, MN (US);
Andrew C. Anderson, Hudson, WI (US)

5,924,157 A 7/1999 Barela
5,940,921 A 8/1999 Wood et al.
6,055,695 A 5/2000 McKay, Jr.
6,127,014 A 10/2000 McKay, Jr.

FOREIGN PATENT DOCUMENTS

(73) Assignee: **3M Innovative Properties Company**,
St. Paul, MN (US)

JP 8-322778 12/1996
JP 9-75293 3/1997
WO WO 83/01734 5/1983

(**) Term: **14 Years**

OTHER PUBLICATIONS

(21) Appl. No.: **29/151,486**
(22) Filed: **Nov. 9, 2001**

“Nitoms Colo-colo Cleaner”, [retrieved from internet on Feb. 11, 2002], URL http://www.nitoms.com/seihin/2_13b.html, and http://www.nitoms.com/kaisha/1_13c.html 4 pages, in Japanese (translation attached) by Nitoms Inc., 2000.

(51) **LOC (7) Cl.** **04-99**
(52) **U.S. Cl.** **D4/199**
(58) **Field of Search** D4/122, 199; 15/104.001,
15/104.002, 246, 184, 230.11; 206/389,
411

Ser. No. 29/151,674, filed Nov. 9, 2001, Jessen et al.
Ser. No. 10/011,139, filed Nov. 9, 2001, Jessen et al.

Primary Examiner—Alan P. Douglas
Assistant Examiner—Lavone D. Tabor

(56) **References Cited**

U.S. PATENT DOCUMENTS

3,192,548 A 7/1965 Wilbrecht
3,381,325 A 5/1968 Reineman
3,421,170 A 1/1969 Thomas, Jr.
3,623,179 A 11/1971 Roth
3,742,547 A 7/1973 Sohmer
3,906,578 A 9/1975 Huber
4,361,923 A 12/1982 McKay
4,399,579 A 8/1983 McKay
4,422,201 A 12/1983 McKay
D281,654 S 12/1985 Bladh et al.
D288,973 S 3/1987 Hamazaki
4,905,337 A 3/1990 McKay
5,027,465 A 7/1991 McKay
D336,784 S 6/1993 Yen
5,333,341 A 8/1994 Heneveld
5,338,300 A 8/1994 Cox
5,763,038 A 6/1998 Wood
D396,906 S 8/1998 Medici

(57) **CLAIM**

The ornamental design for a cover for a roll of tape, as shown and described.

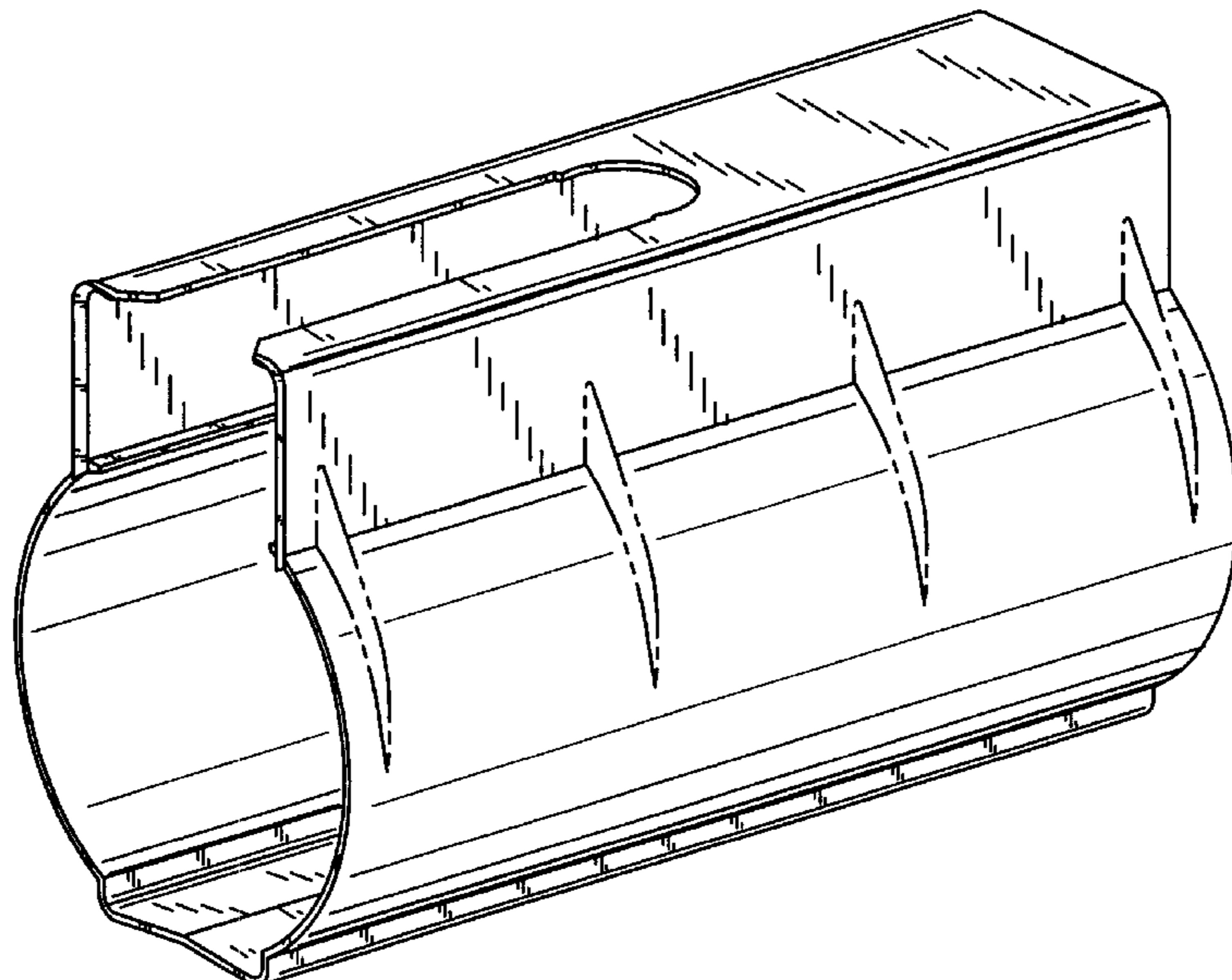
DESCRIPTION

FIG. 1 is an isometric view of a cover for a roll of tape;
FIG. 2 is a right side view thereof;
FIG. 3 is a top plan view thereof;
FIG. 4 is a bottom plan view thereof;
FIG. 5 is a front view thereof; and,
FIG. 6 is a rear view thereof.

The left side view of the cover for a roll of tape is a mirror image of the right side view.

The broken lines in the drawings are for illustrative purposes only and form no part of the claimed design.

1 Claim, 2 Drawing Sheets



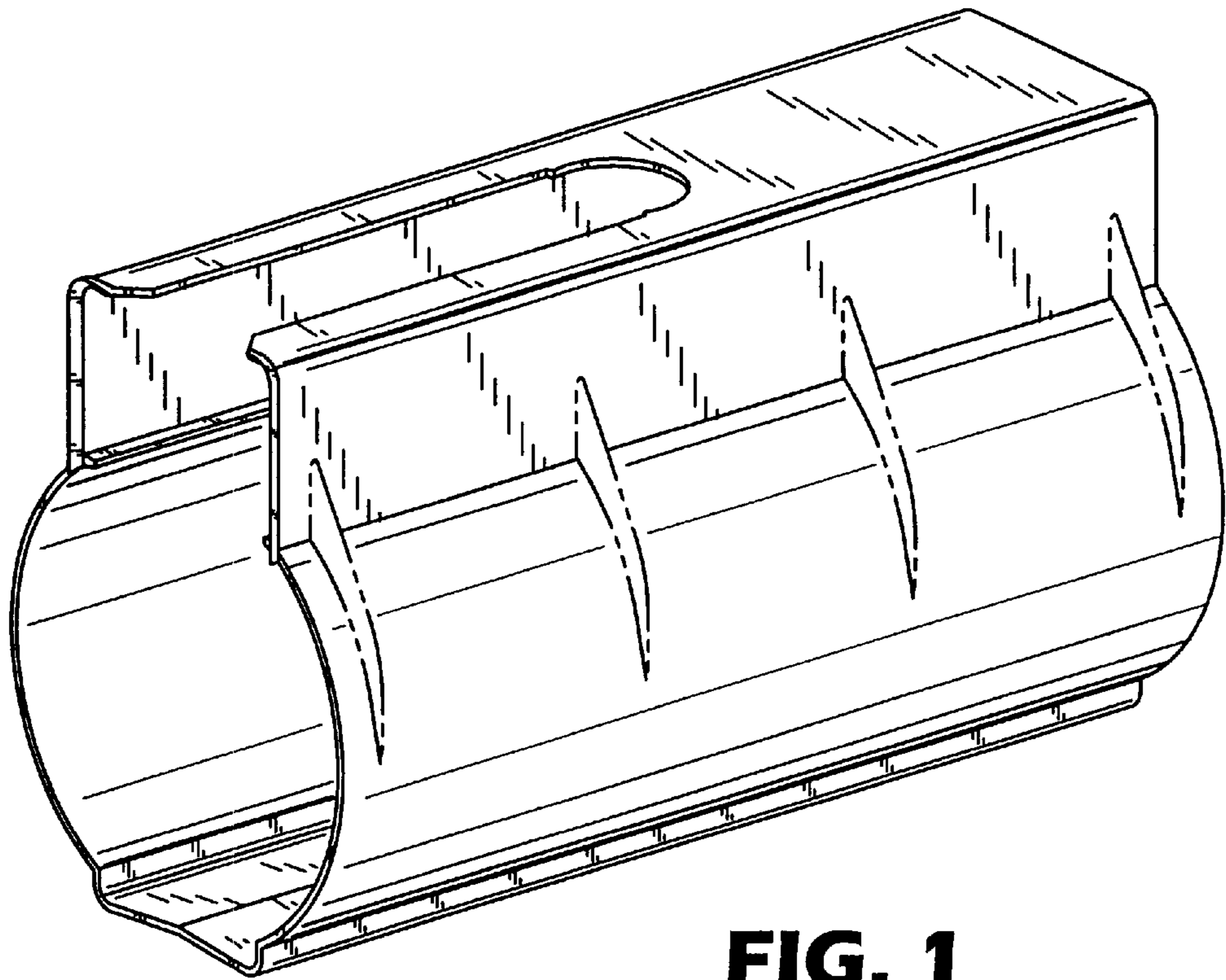


FIG. 1

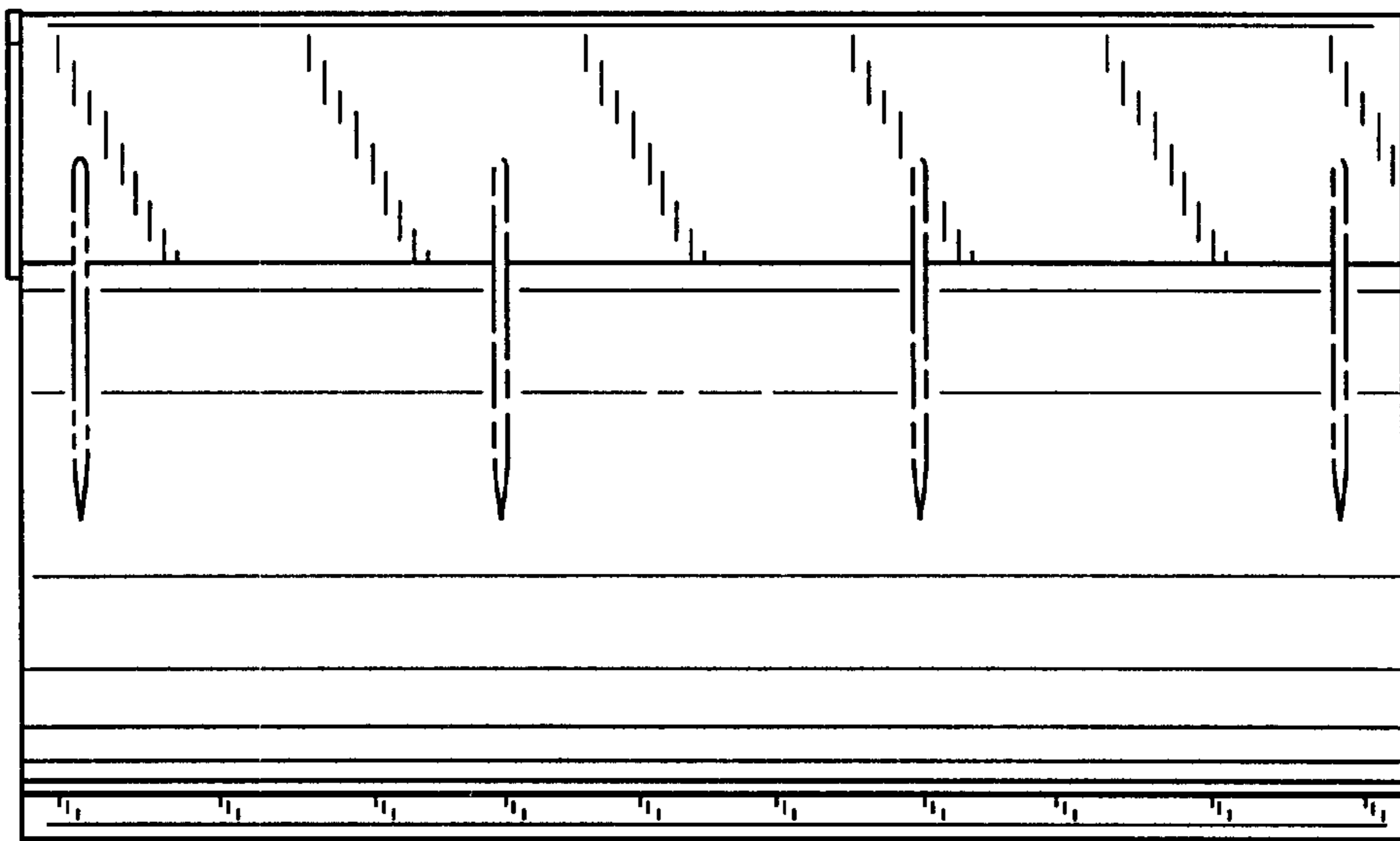


FIG. 2

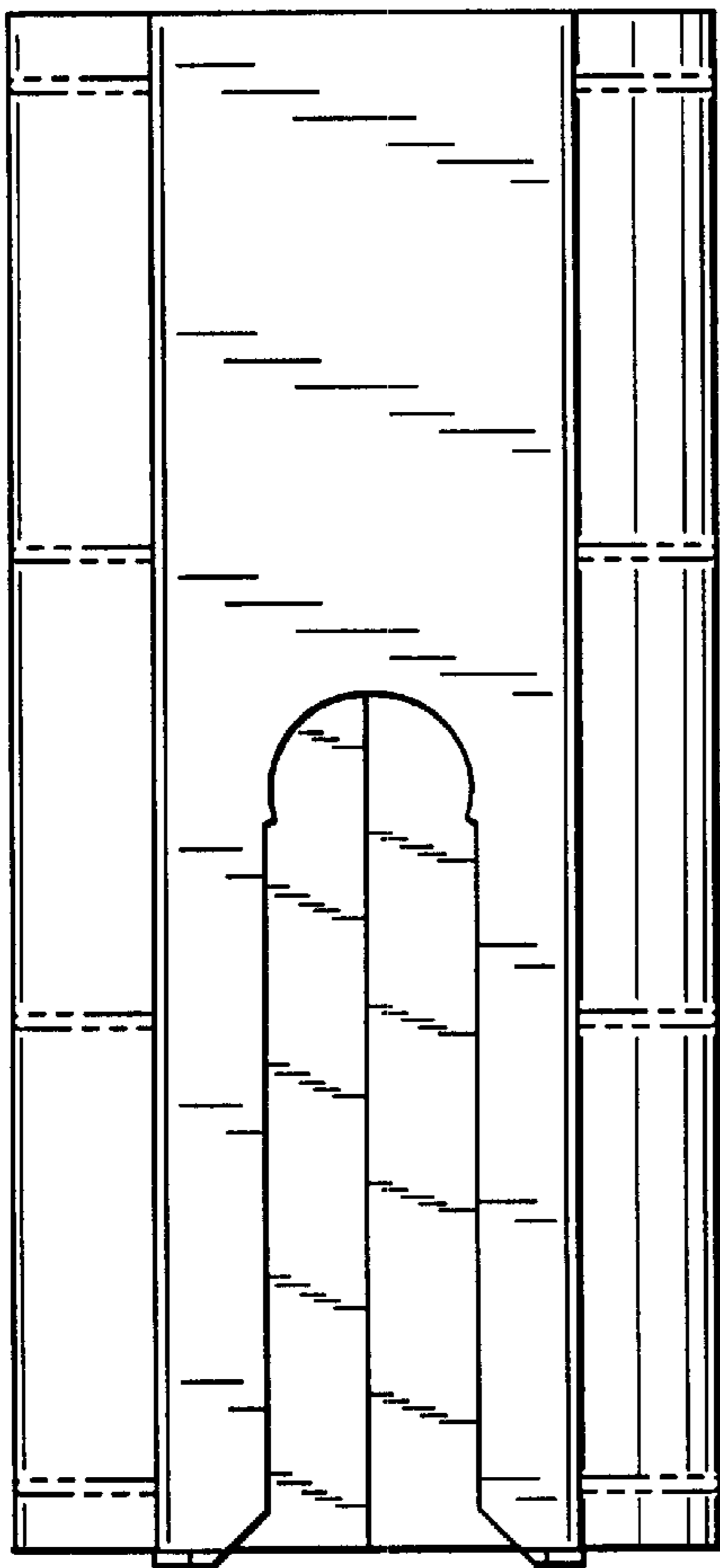


FIG. 3

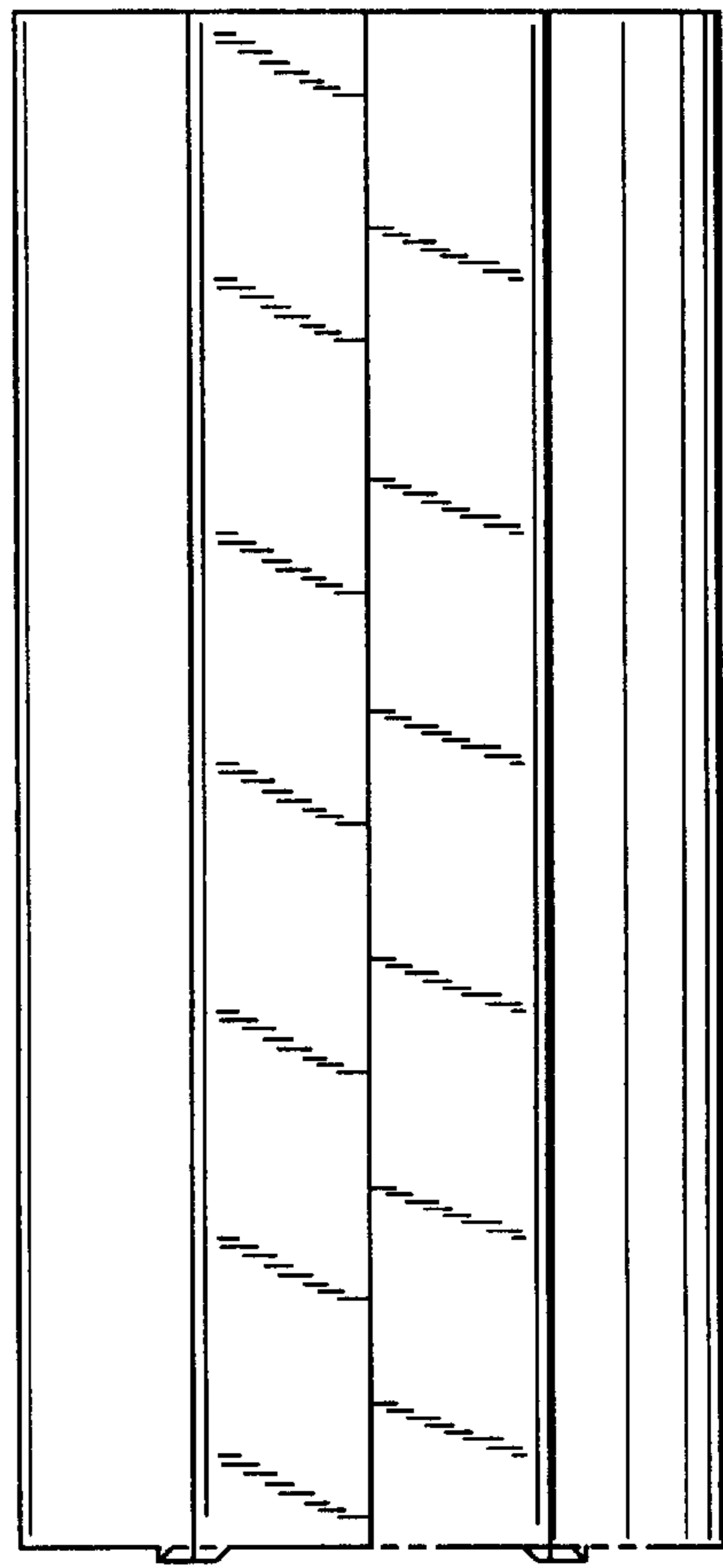


FIG. 4

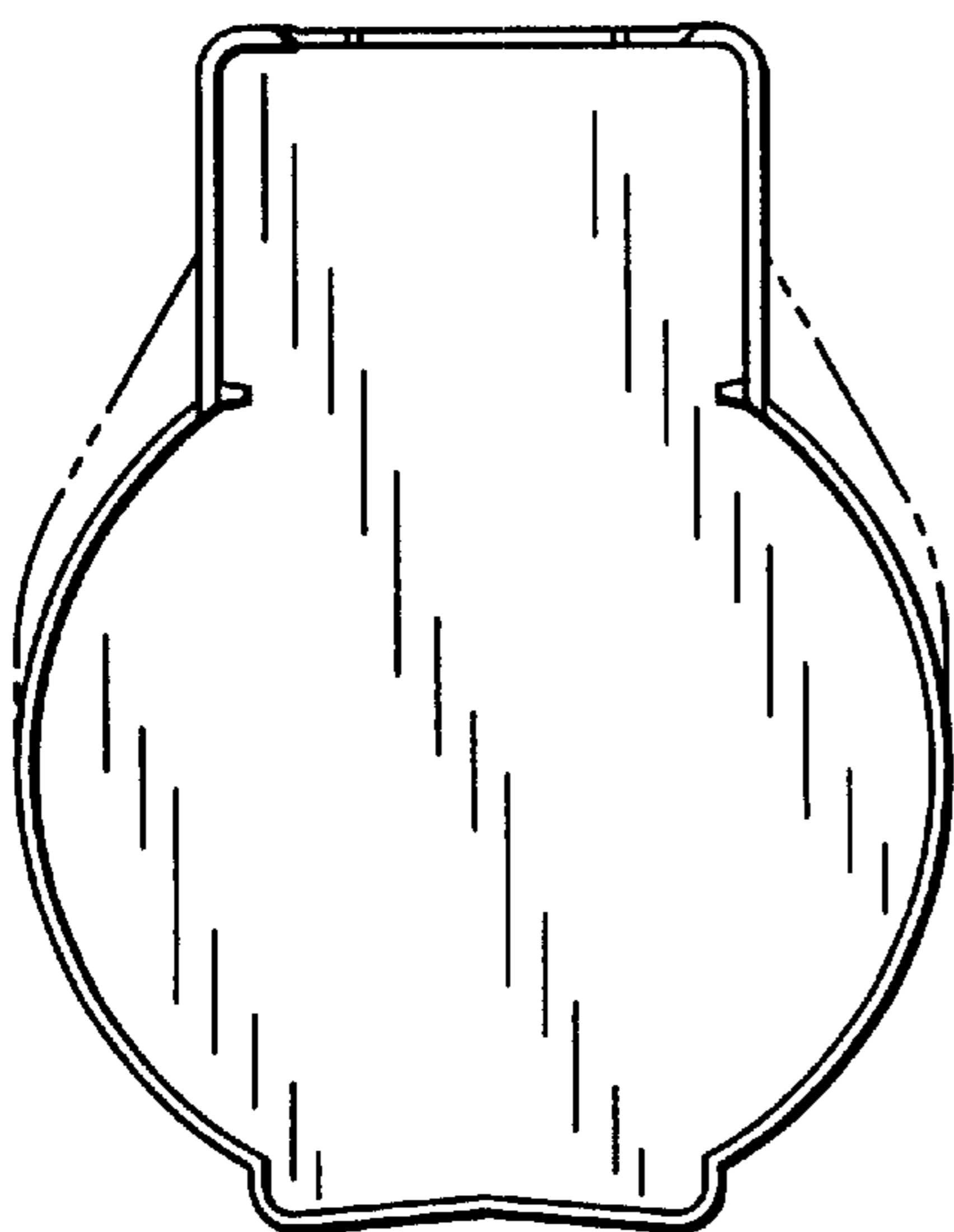


FIG. 5

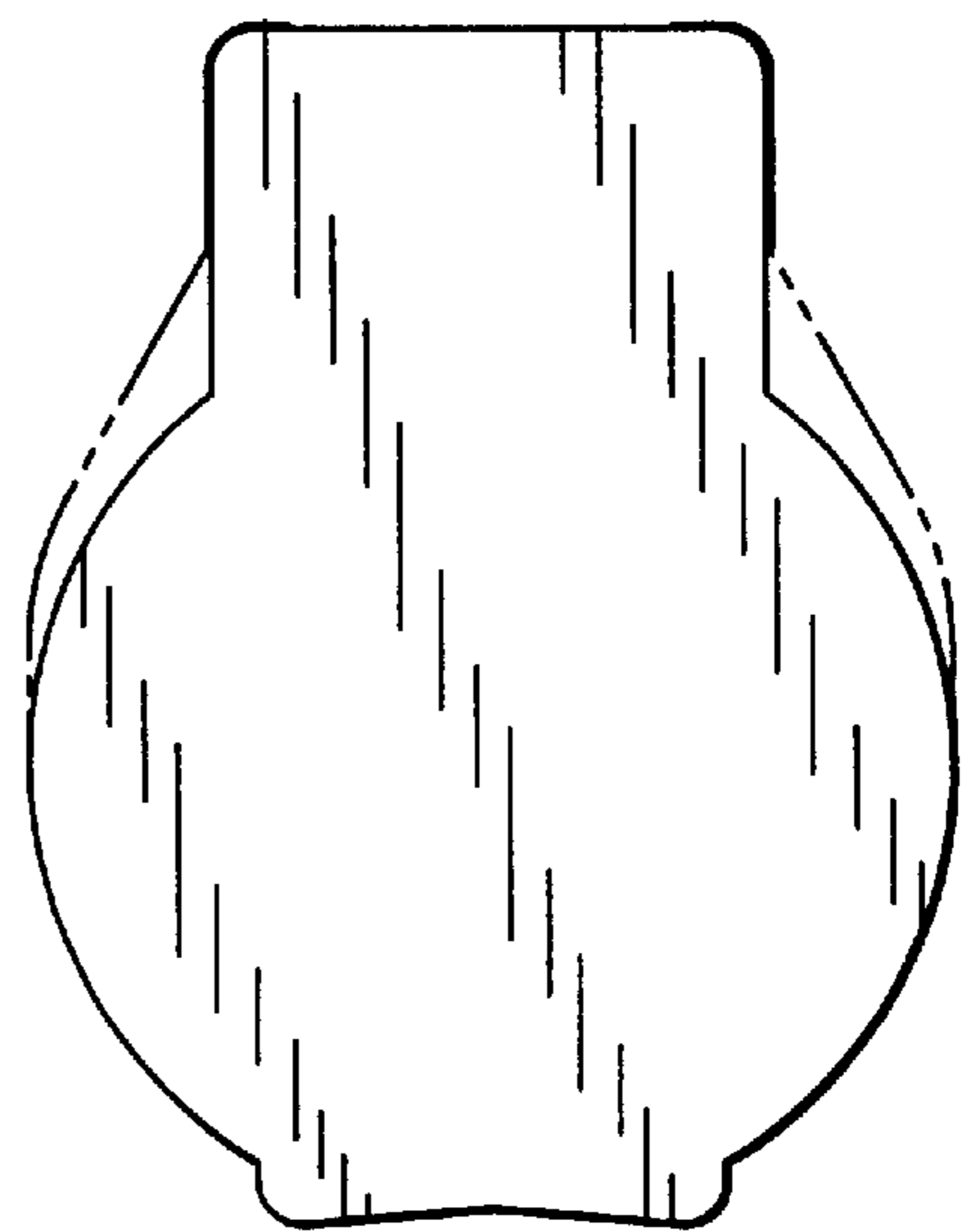


FIG. 6

UNITED STATES PATENT AND TRADEMARK OFFICE
CERTIFICATE OF CORRECTION

PATENT NO. : Des. 475,537 S
DATED : June 10, 2003
INVENTOR(S) : Jessen, Todd J.

Page 1 of 1

It is certified that error appears in the above-identified patent and that said Letters Patent is hereby corrected as shown below:

Title page,

Item [56], OTHER PUBLICATIONS, first reference, "2₁₃b.html," should read
-- 2_b.html, and

"Nitoms Colo-colo Cleaner", reference, "http://www.nitoms.com/kaisha/1₁₃c.html"
should read -- http://www.nitoms.com/kaisha/1_c.html --

Signed and Sealed this

Sixth Day of January, 2004

A handwritten signature in black ink, appearing to read "James E. Rogan", written over a horizontal line.

JAMES E. ROGAN

Director of the United States Patent and Trademark Office