



US00D475536S

(12) **United States Design Patent**
Vaes

(10) **Patent No.:** **US D475,536 S**

(45) **Date of Patent:** **** Jun. 10, 2003**

(54) **PAINT BRUSH**

(76) **Inventor:** **Ed Vaes**, 223 Avondale Street,
Hamilton, Ontario (CA), L8L 7C4

(**) **Term:** **14 Years**

(21) **Appl. No.:** **29/156,747**

(22) **Filed:** **Mar. 7, 2002**

(51) **LOC (7) Cl.** **04-04**

(52) **U.S. Cl.** **D4/135**

(58) **Field of Search** D4/132, 135, 138;
15/143.1, 159.1, 160, 168, 171, 175, 176.1,
191.1, 192-196, 202; 16/110.1, 430

(56) **References Cited**

U.S. PATENT DOCUMENTS

1,468,716	A	*	9/1923	Kersting et al.	
1,826,165	A	*	10/1931	Cartwright	15/143.1
2,490,159	A	*	12/1949	Ricchiuti	15/202
2,589,779	A	*	3/1952	Cortes	15/202
2,629,125	A	*	2/1953	Ferguson	15/202
2,779,043	A	*	1/1957	McMillan	15/193
4,494,268	A	*	1/1985	Chu	15/176.1
5,749,117	A	*	5/1998	Forsline	
D454,432	S	*	3/2002	Ancona et al.	D4/138
6,408,474	B1	*	6/2002	Husted et al.	15/143.1

OTHER PUBLICATIONS

The Painter's Advantage Ltd. © 1986, Chip Brushes, bot-
tom, right of p. 5.*

* cited by examiner

Primary Examiner—Alan P. Douglas
Assistant Examiner—Lavone D. Tabor

(57) **CLAIM**

The ornamental design for a paint brush, as shown.

DESCRIPTION

FIG. 1 is a top plan view of a paint brush showing my new
design;

FIG. 2 is a left side elevational view of FIG. 1;

FIG. 3 is a top, front, and right side perspective view of FIG.
1;

FIG. 4 is a bottom, front and left side perspective view of
FIG. 1;

FIG. 5 is a top plan view of a second embodiment of the
paint brush;

FIG. 6 is a left side elevational view of FIG. 5;

FIG. 7 is a top, front, and right side perspective view of FIG.
5;

FIG. 8 is a bottom, front and left side perspective view of
FIG. 5;

FIG. 9 is a top plan view of a third embodiment of the paint
brush;

FIG. 10 is a left side elevational view of FIG. 9;

FIG. 11 is a top, front, and right side perspective view of
FIG. 9;

FIG. 12 is a bottom, front and left side perspective view of
FIG. 9;

FIG. 13 is a top plan view of a fourth embodiment of the
paint brush;

FIG. 14 is a left side elevational view of FIG. 13;

FIG. 15 is a top, front, and right side perspective view of
FIG. 13;

FIG. 16 is a bottom, front and left side perspective view of
FIG. 13;

FIG. 17 is a top plan view of a fifth embodiment of the paint
brush

FIG. 18 is a left side elevational view of FIG. 17;

FIG. 19 is a top, front, and right side perspective view of
FIG. 17; and,

FIG. 20 is a bottom, front, and left side perspective view of
FIG. 17.

1 Claim, 11 Drawing Sheets

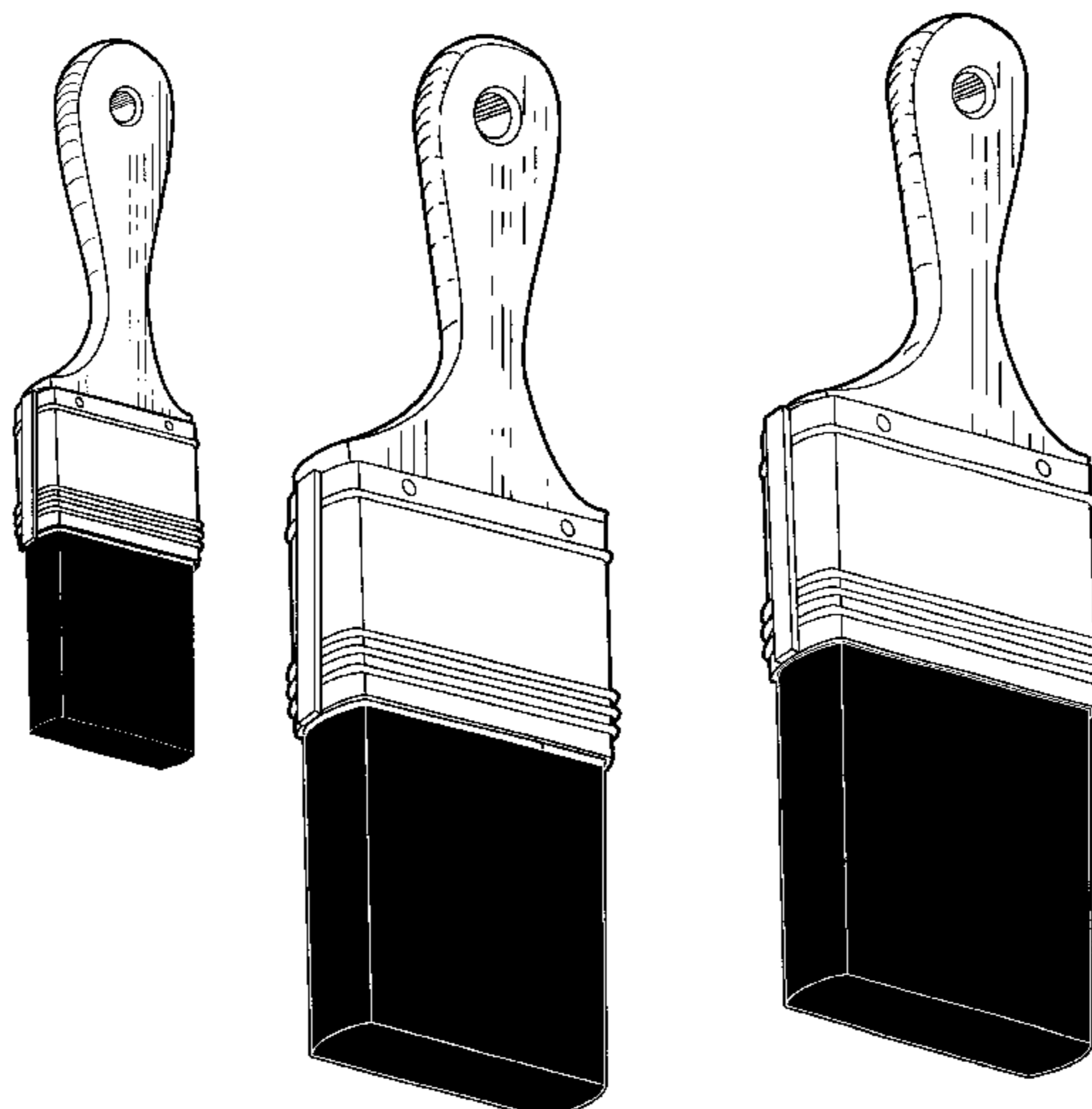


FIG. 1

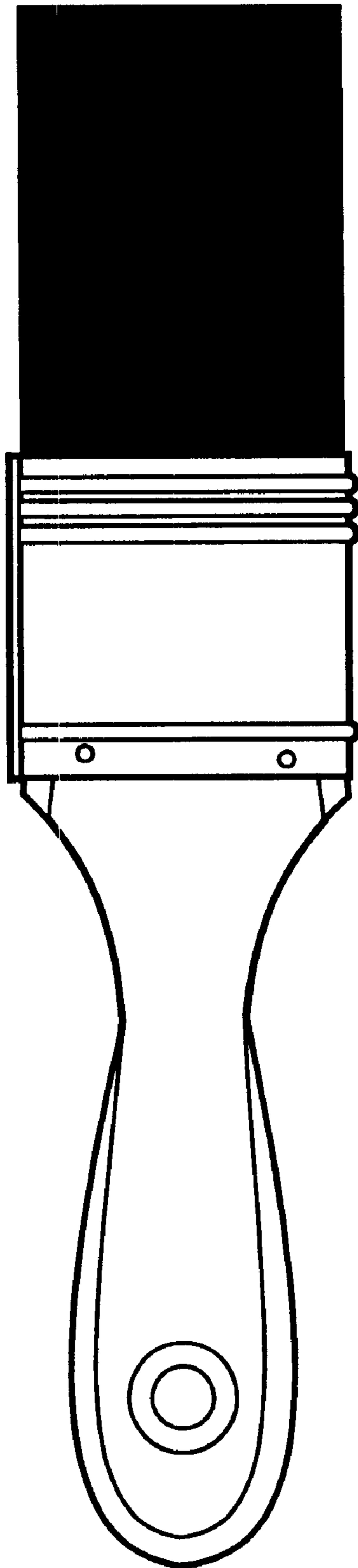


FIG. 2

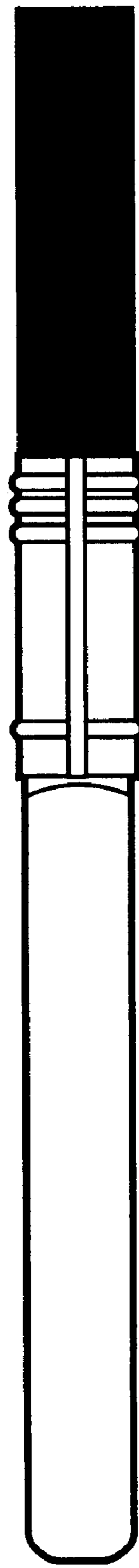


FIG. 3

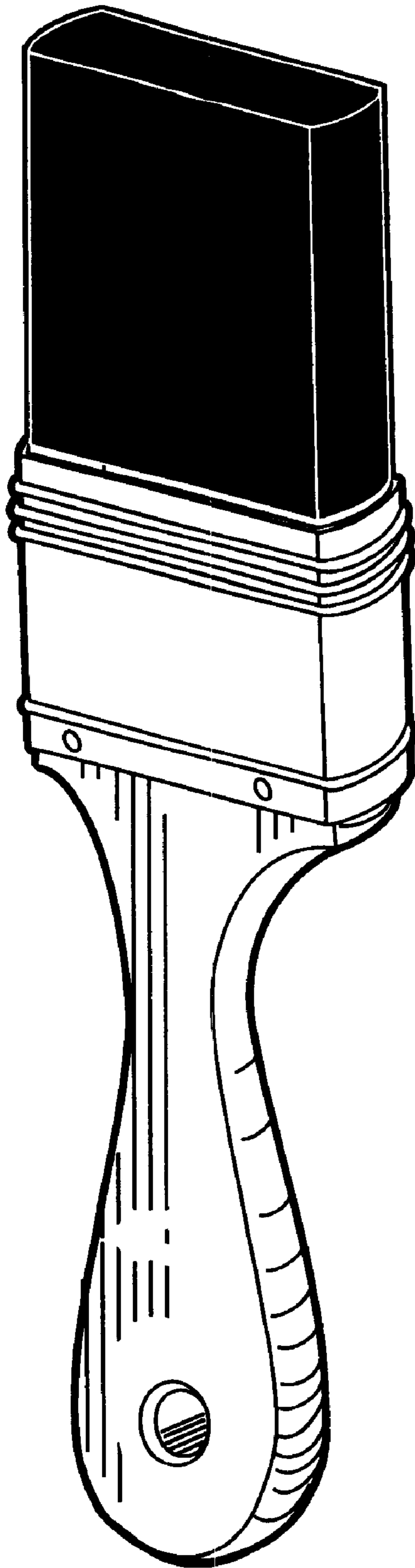


FIG. 4

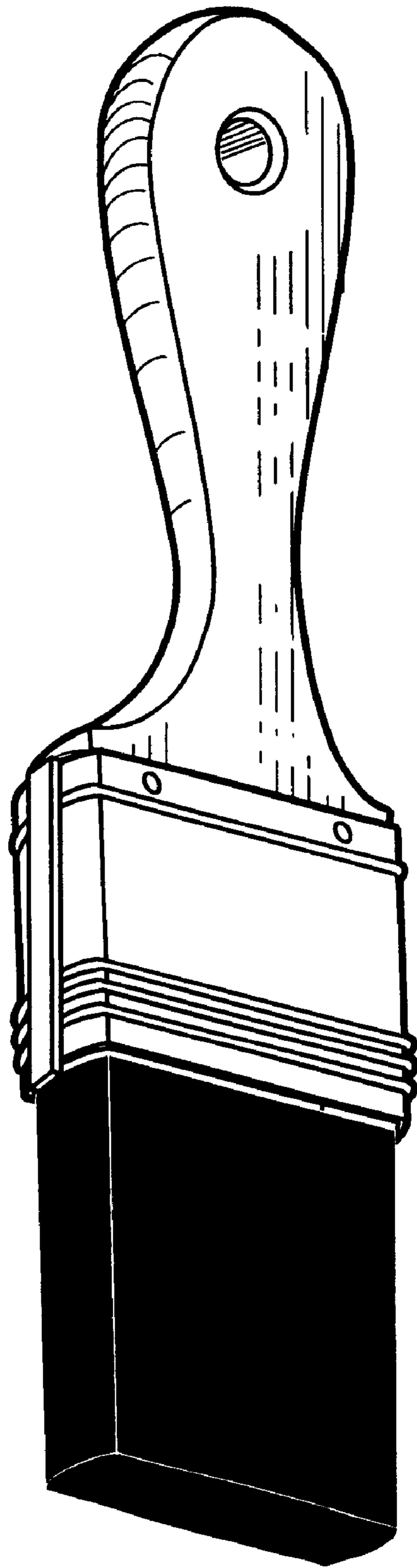


FIG. 5

FIG. 6

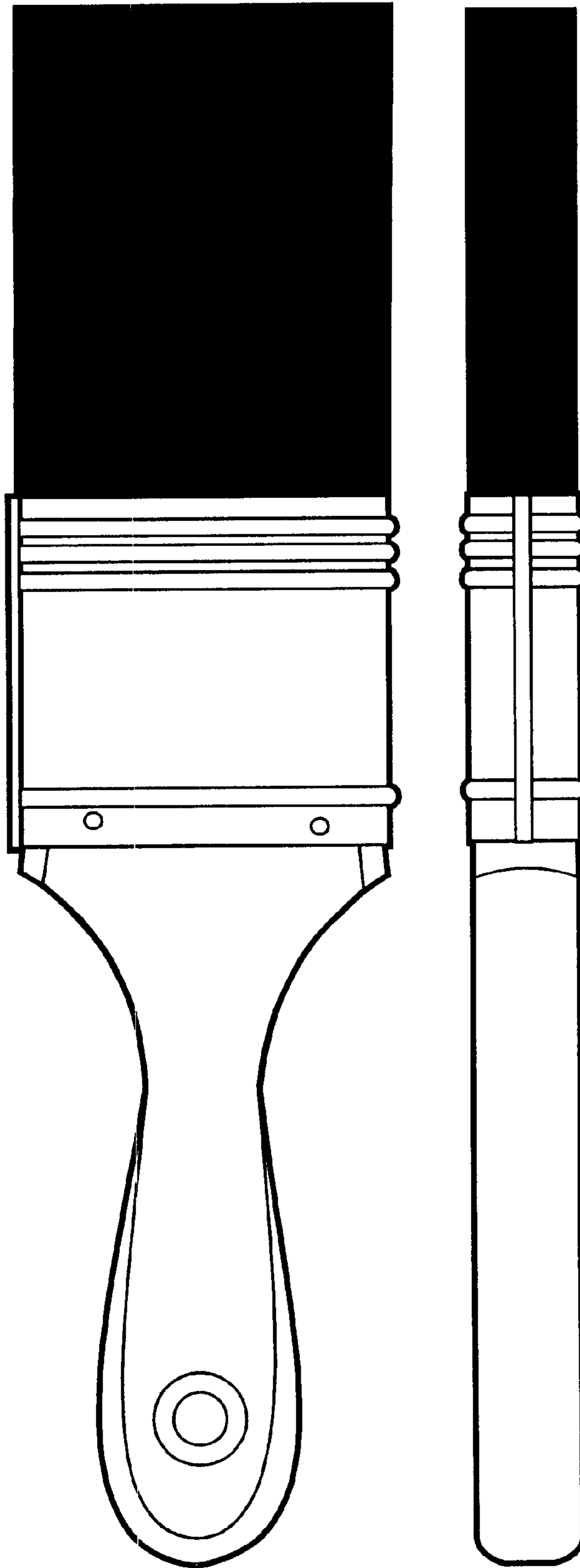


FIG. 7

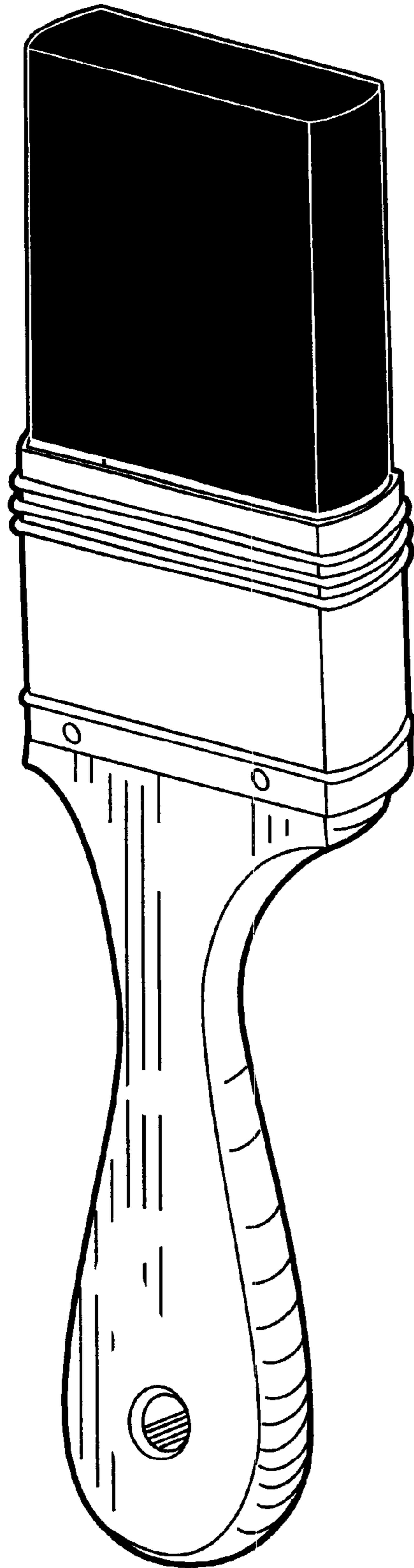


FIG. 8

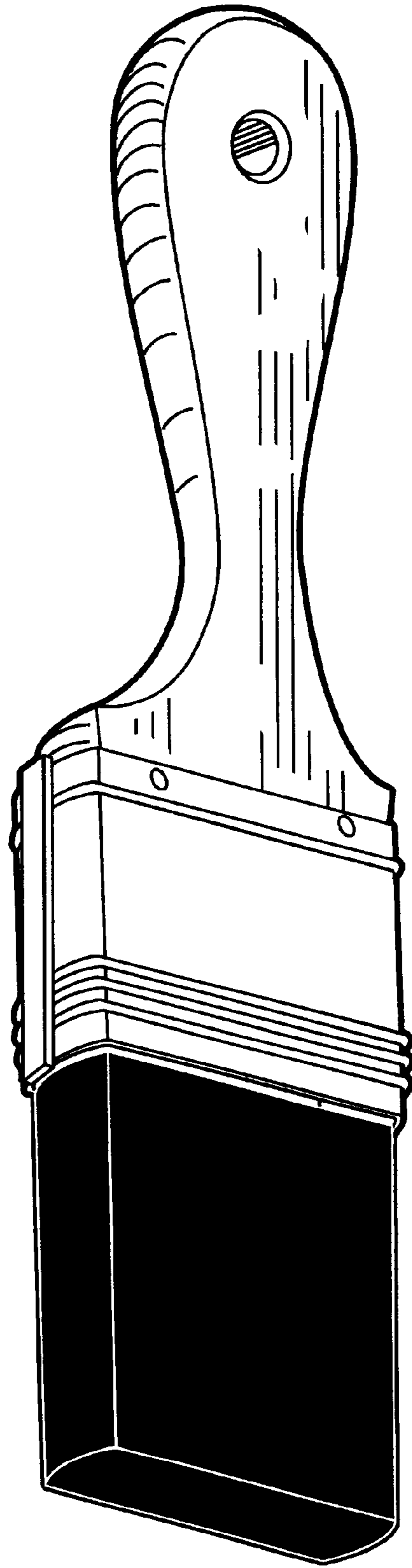


FIG. 9

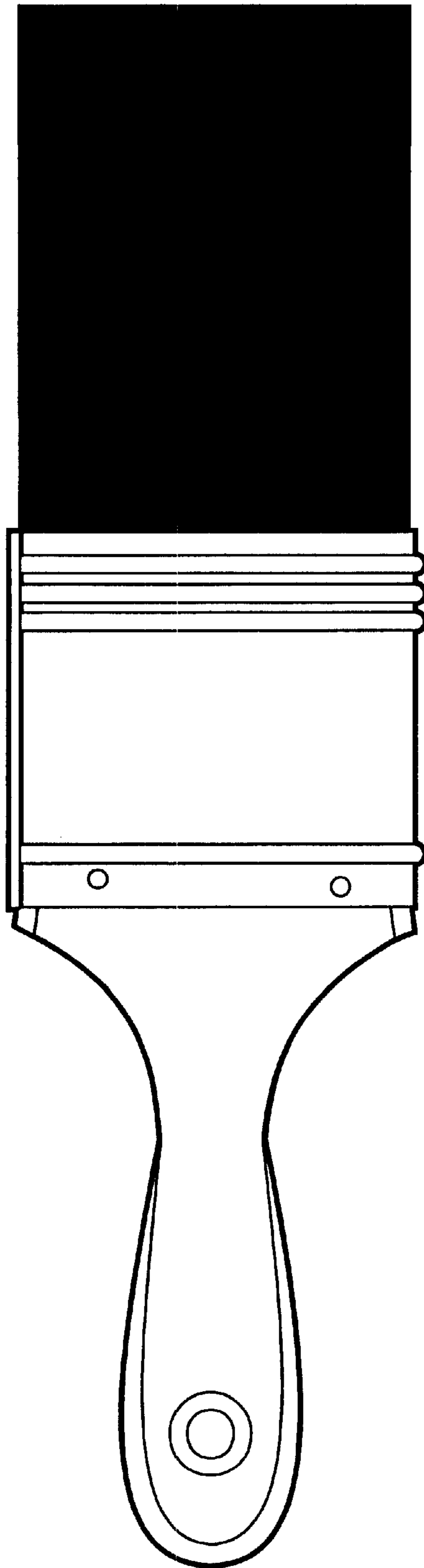


FIG. 10

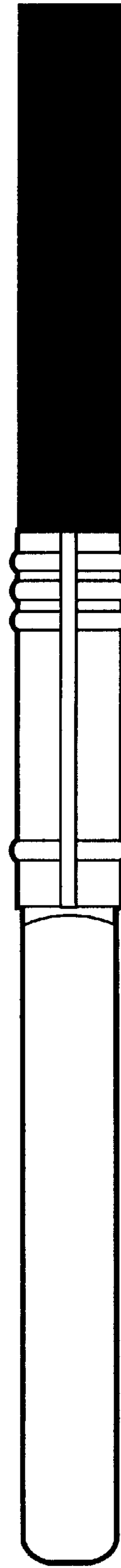


FIG. 11

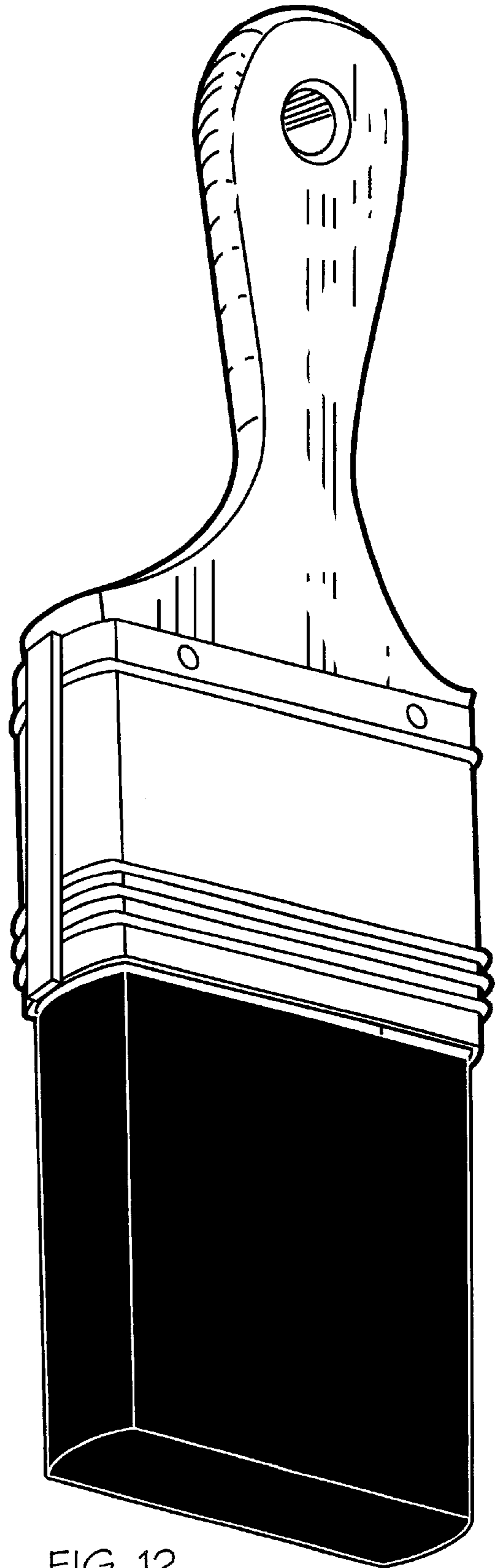
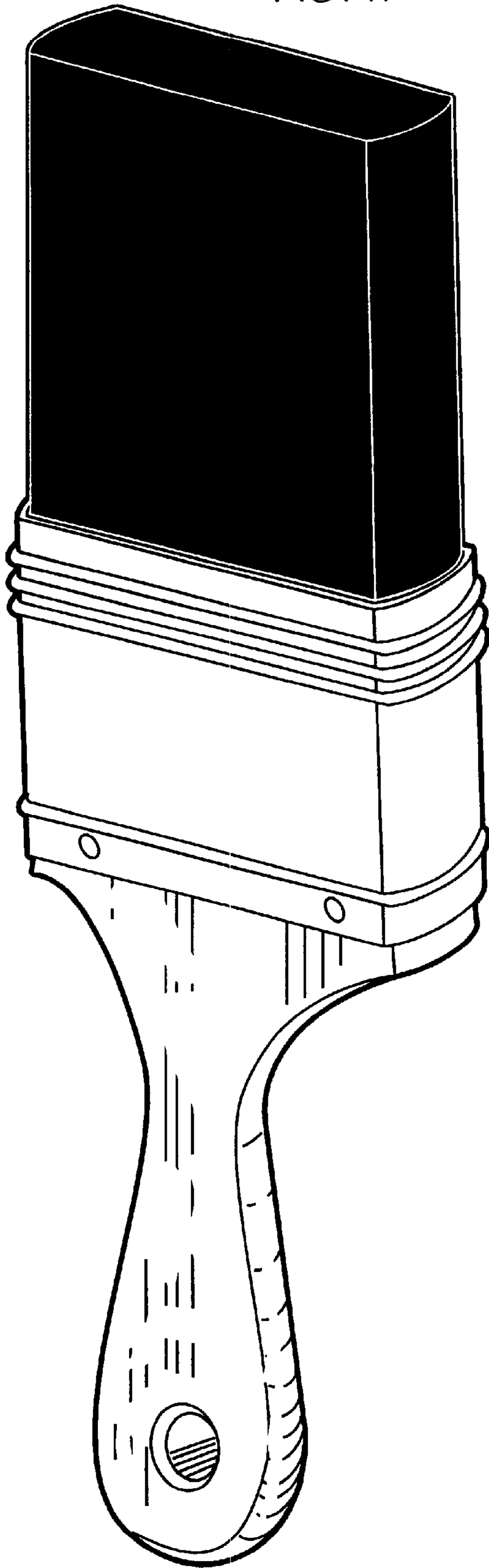


FIG. 12

FIG. 13

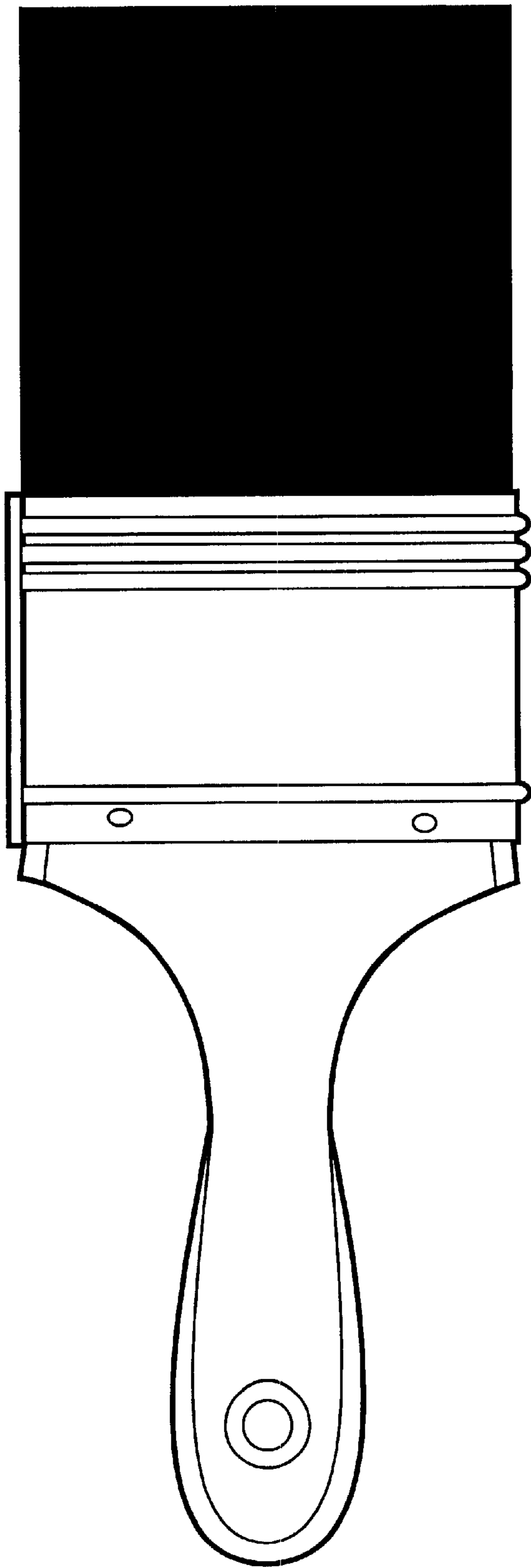
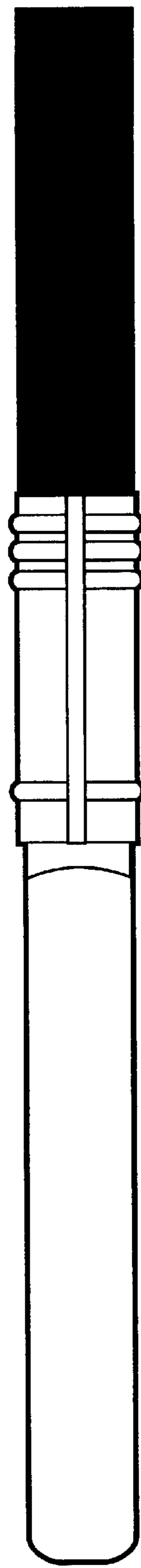


FIG. 14



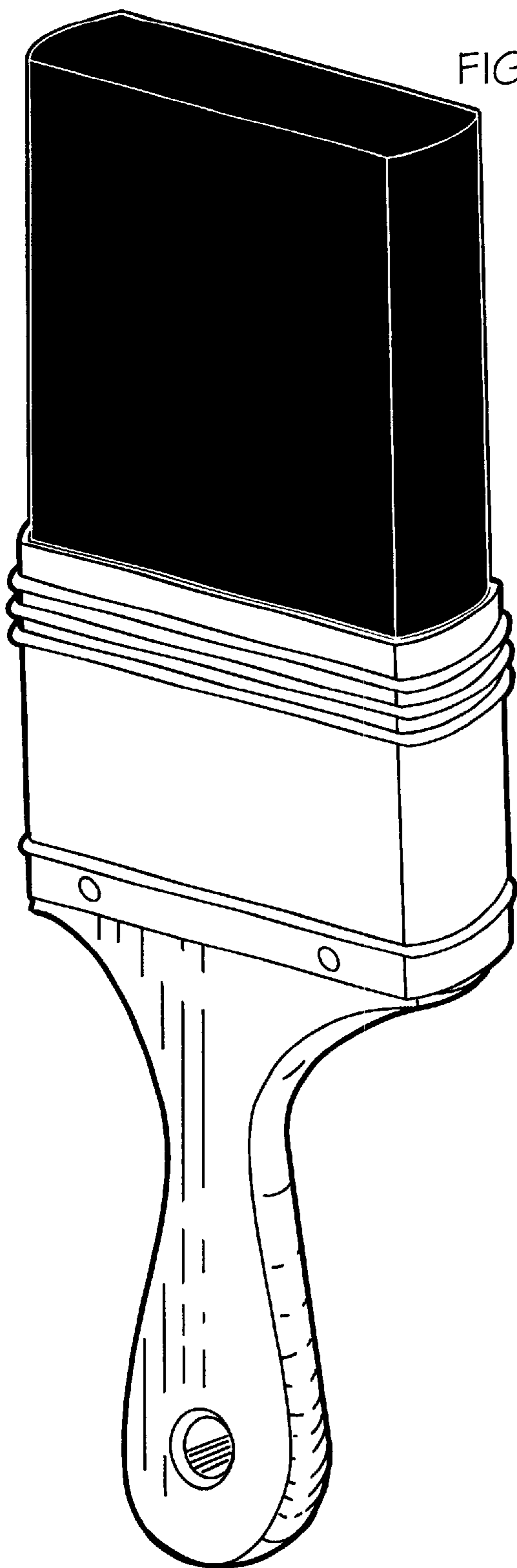


FIG. 15

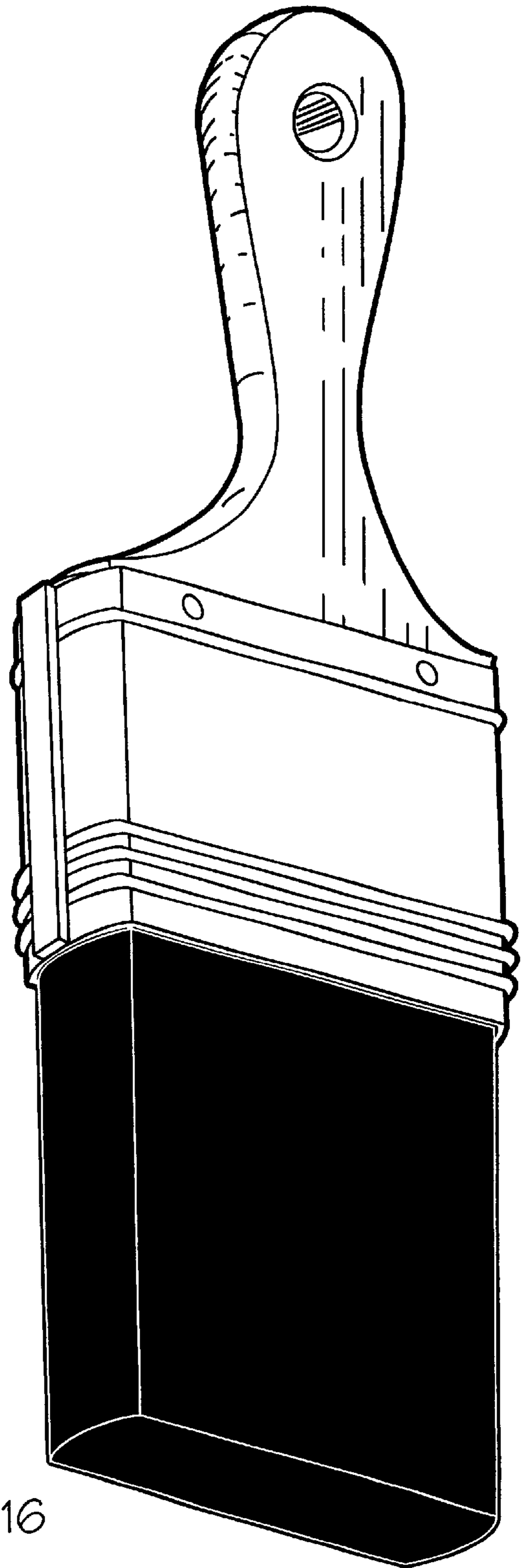


FIG. 16

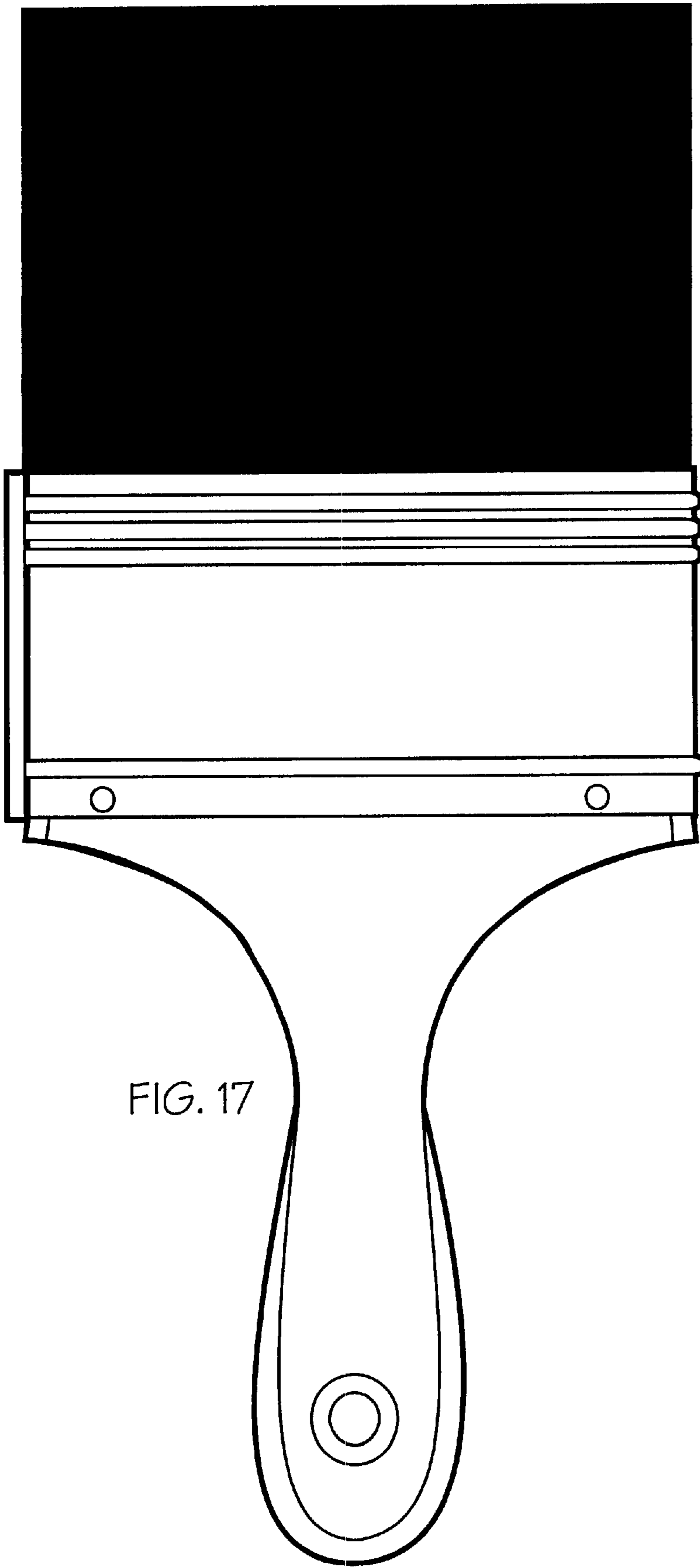


FIG. 17

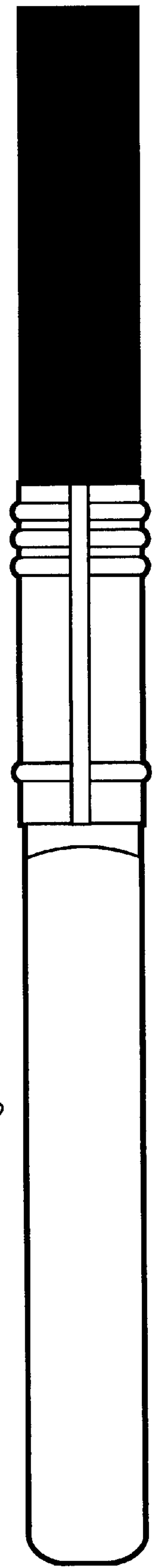
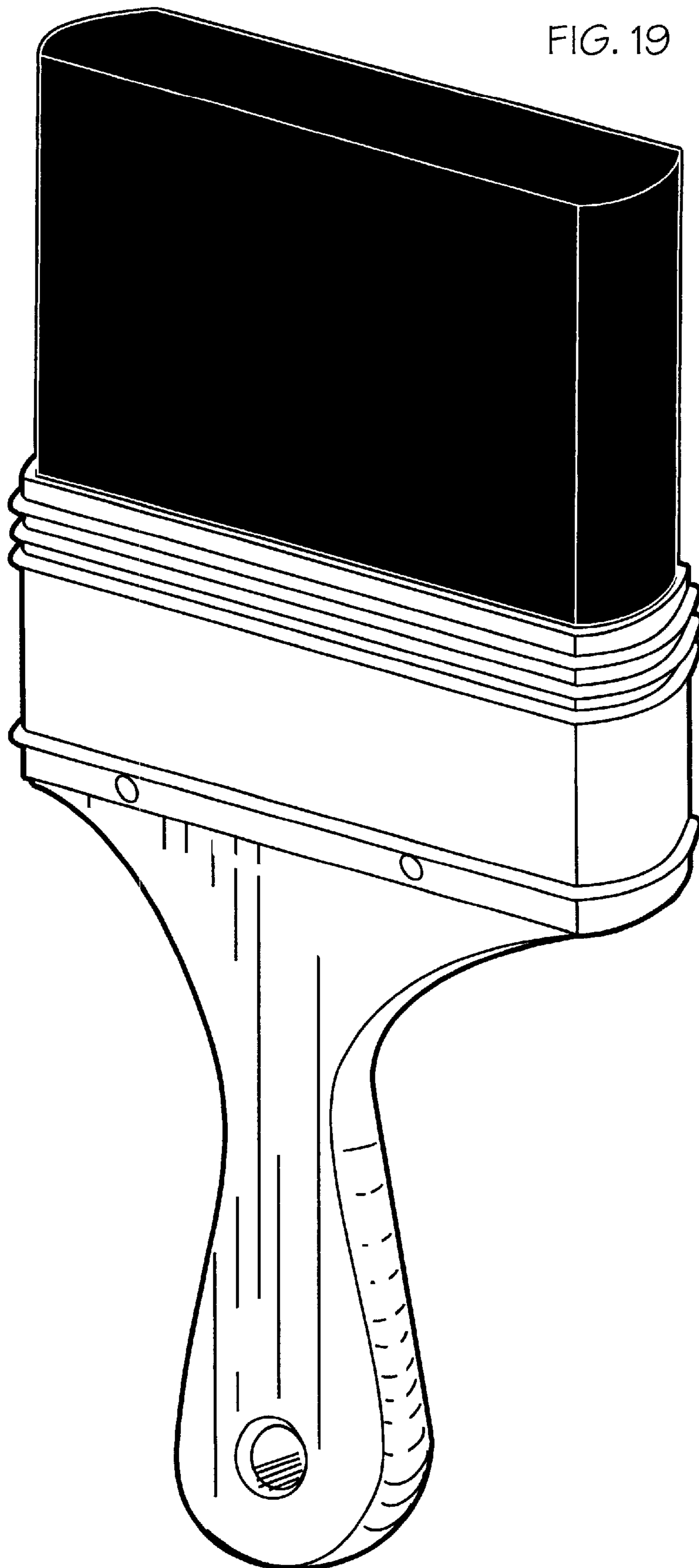


FIG. 18

FIG. 19



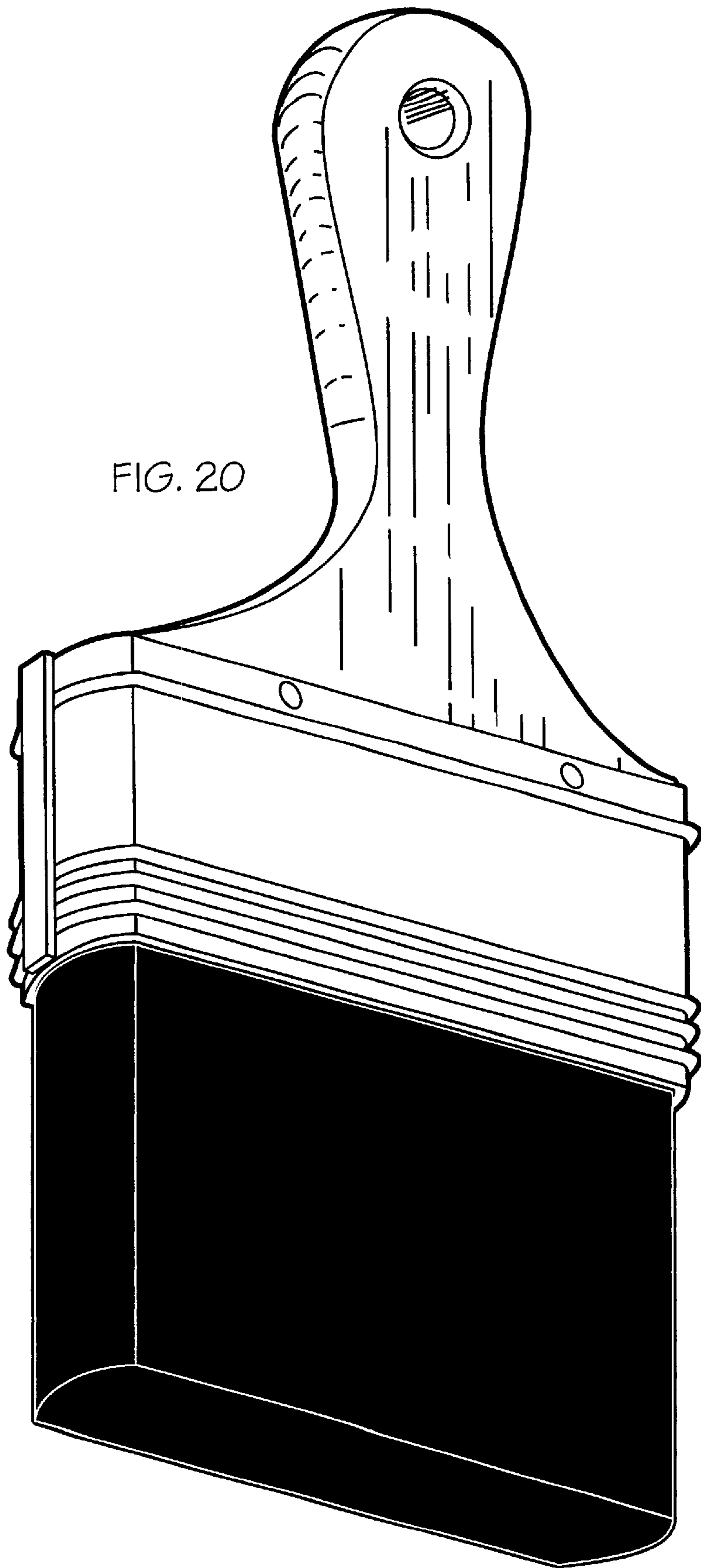


FIG. 20