



US00D475507S

(12) **United States Design Patent**
Myers

(10) **Patent No.:** **US D475,507 S**

(45) **Date of Patent:** **** Jun. 10, 2003**

(54) **HAT BILL**

(76) **Inventor:** **Wayne H. Myers**, 5231 Piner Ct.,
Kelseyville, CA (US) 95451

(**) **Term:** **14 Years**

(21) **Appl. No.:** **29/169,661**

(22) **Filed:** **Oct. 24, 2002**

(51) **LOC (7) Cl.** **02-03**

(52) **U.S. Cl.** **D2/893**

(58) **Field of Search** D2/865, 869, 872,
D2/873, 876, 879, 882, 892, 893; 2/171,
181, 195.1

(56) **References Cited**

U.S. PATENT DOCUMENTS

D154,529 S	*	7/1949	Bentley	D2/892
D263,515 S	*	3/1982	Townsend, Jr. et al.	D2/893
D455,538 S	*	4/2002	Rhoden	D2/882

* cited by examiner

Primary Examiner—Doris V. Coles

Assistant Examiner—Mimosa De

(74) *Attorney, Agent, or Firm*—Russo & Hale LLP;
William C. Milks, III

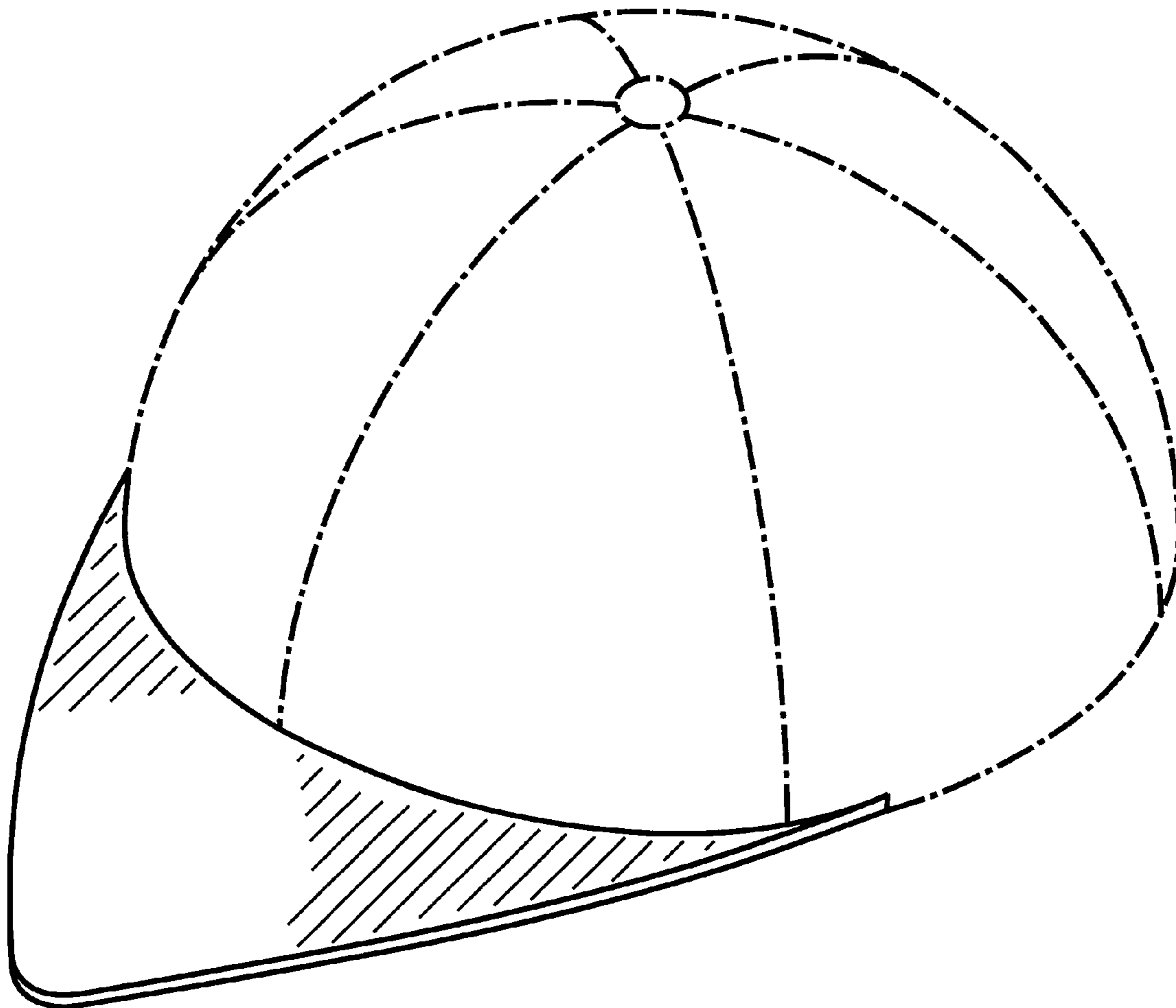
(57) **CLAIM**

The ornamental design for a hat bill, as shown and described.

DESCRIPTION

FIG. 1 is a rear perspective view of a hat bill showing my new design;
FIG. 2 is a front elevational view thereof;
FIG. 3 is a left side elevational view thereof, the right side elevational view being a mirror image;
FIG. 4 is a rear elevational view thereof;
FIG. 5 is a top plan view thereof; and,
FIG. 6 is a bottom plan view thereof.
The phantom line portions of the above figures of the drawing are for illustrative purposes only and do not form part of the design claimed herein.

1 Claim, 3 Drawing Sheets



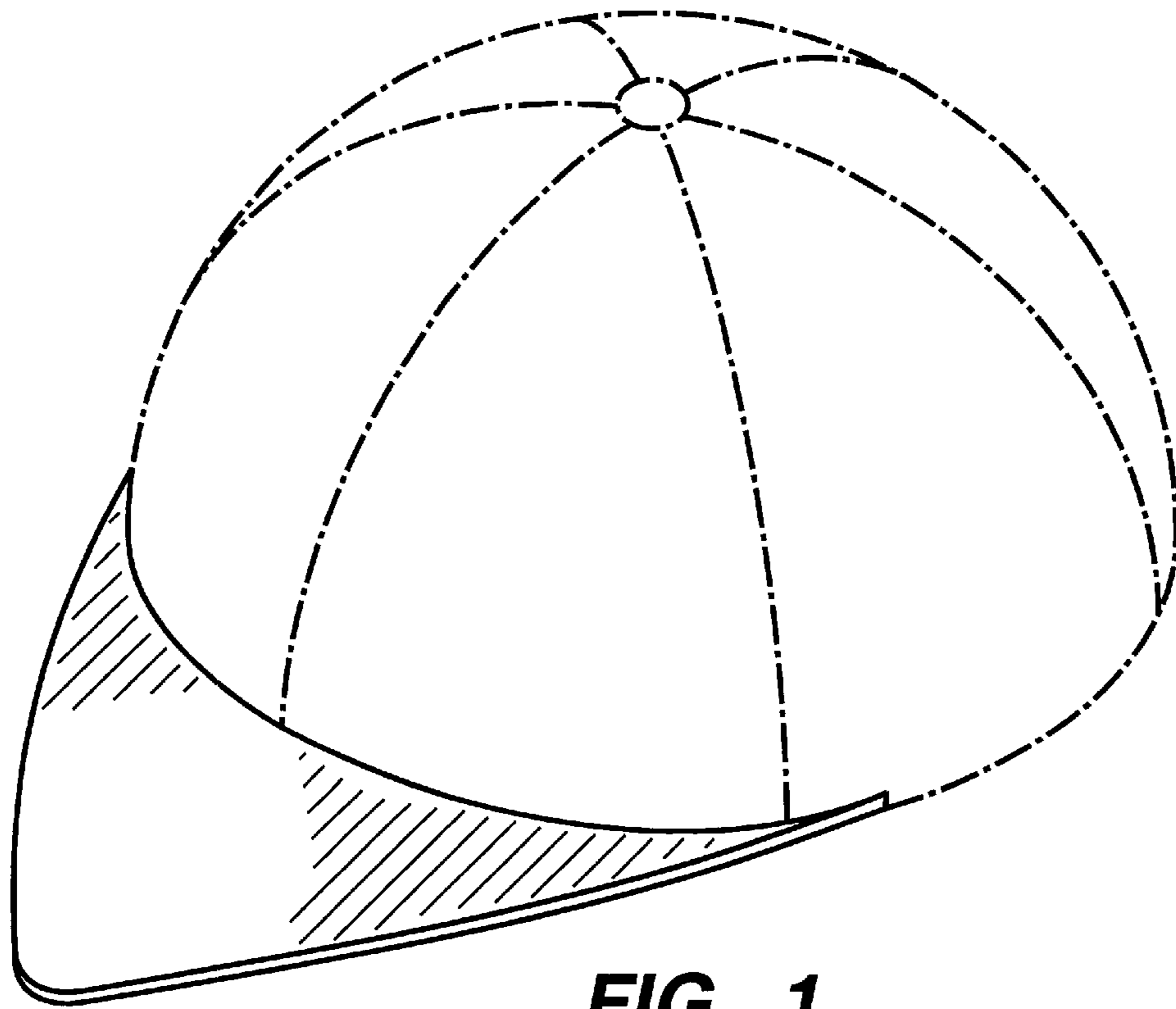


FIG. 1

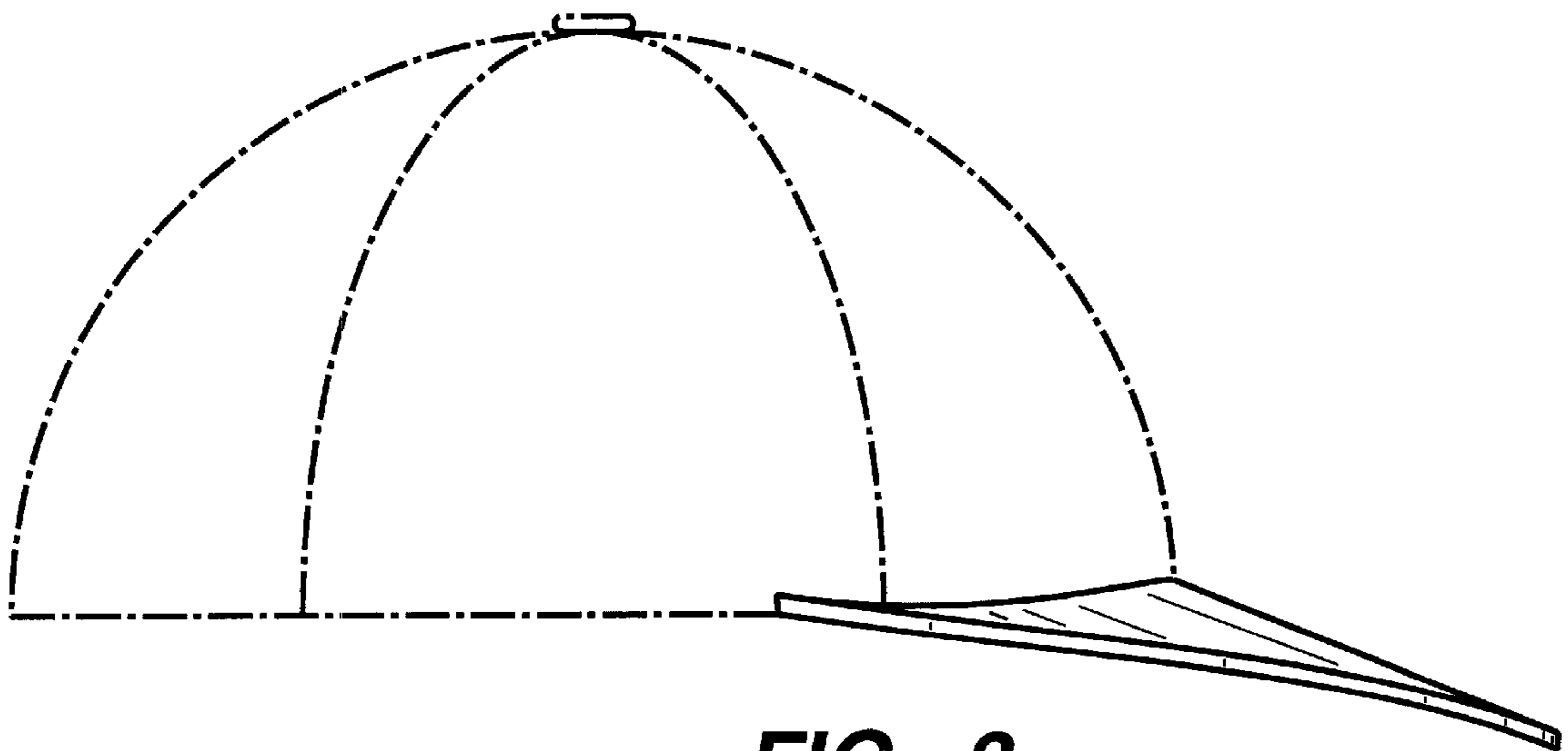


FIG. 3

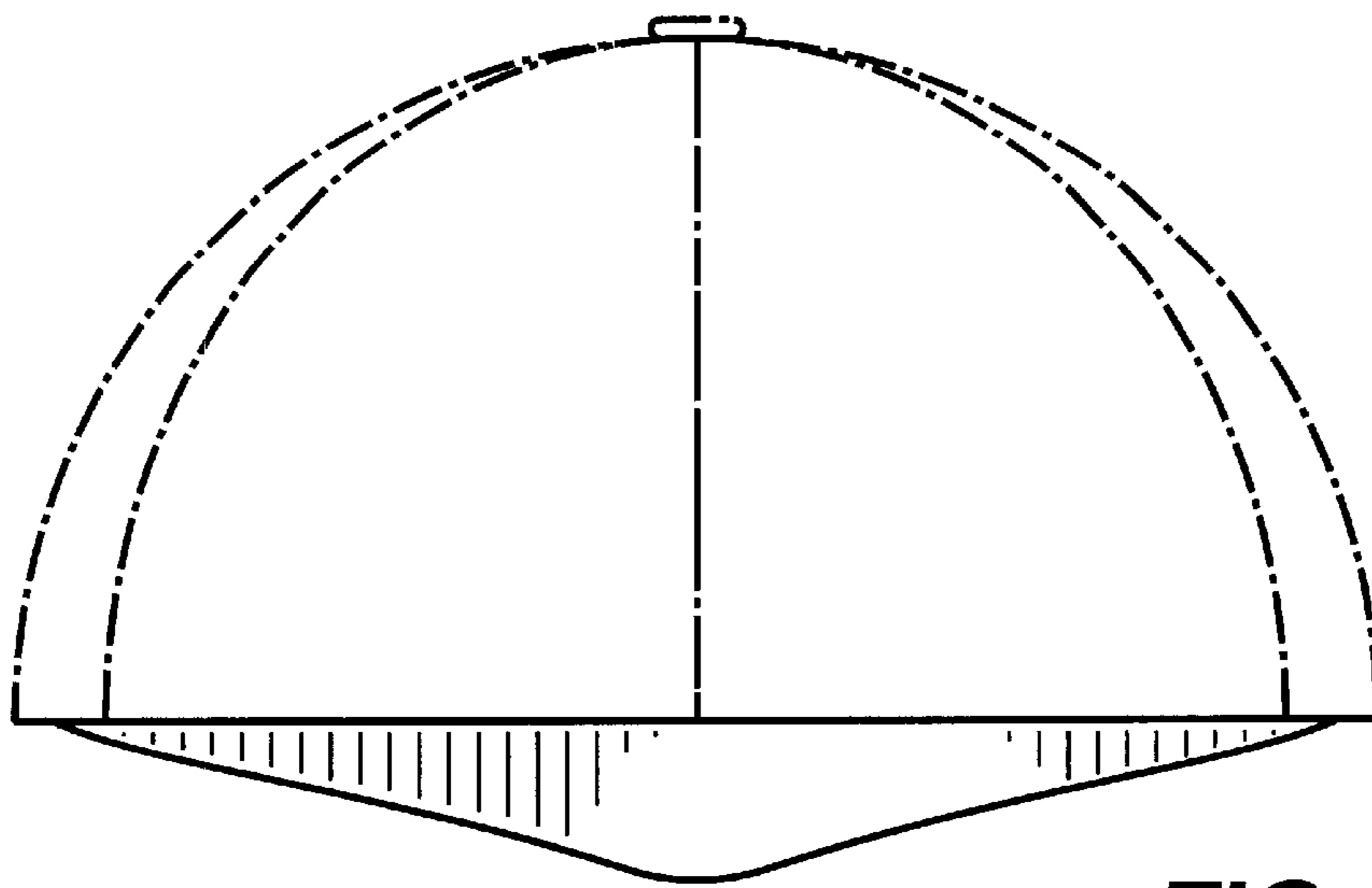


FIG._2

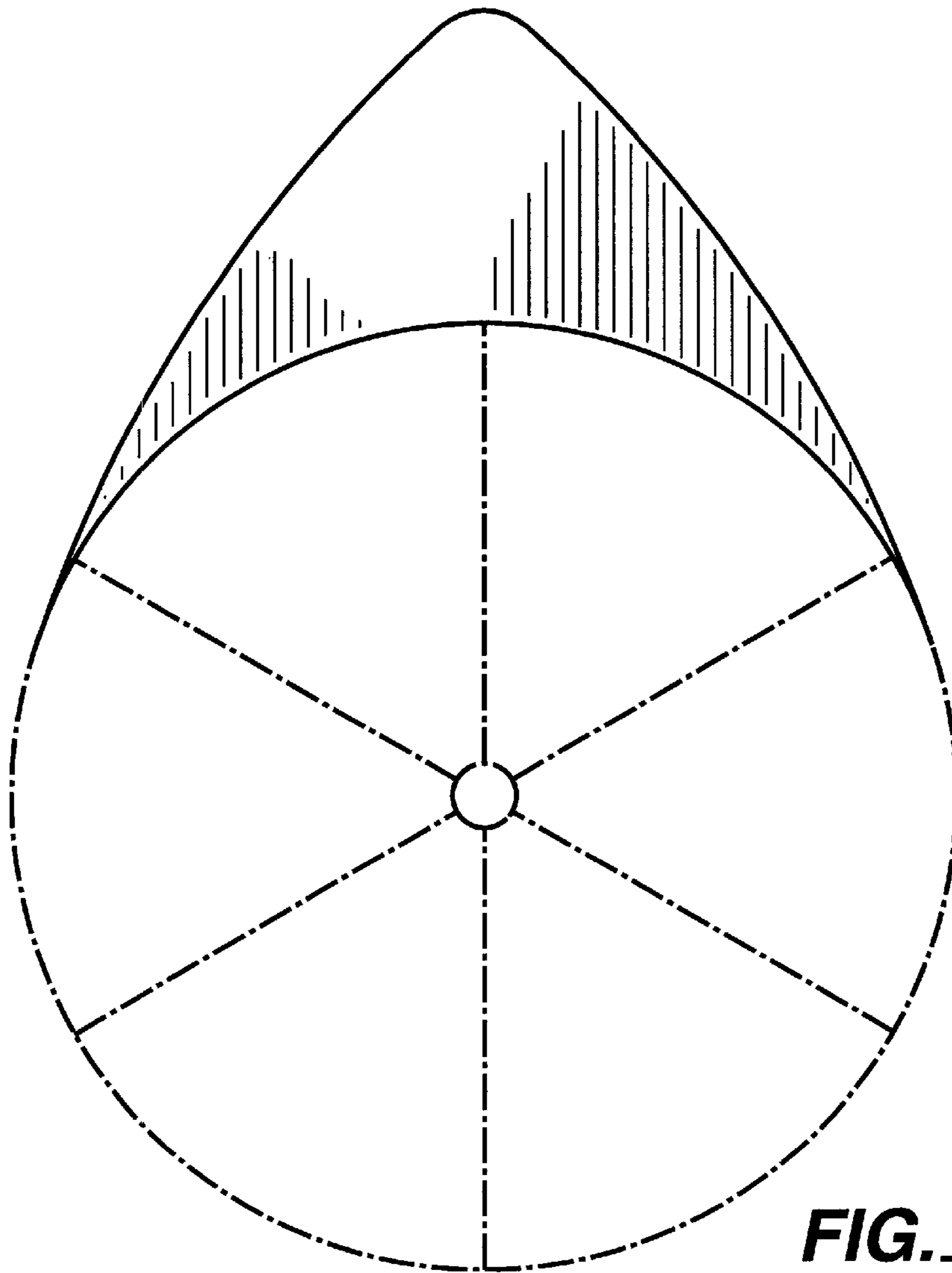


FIG._5

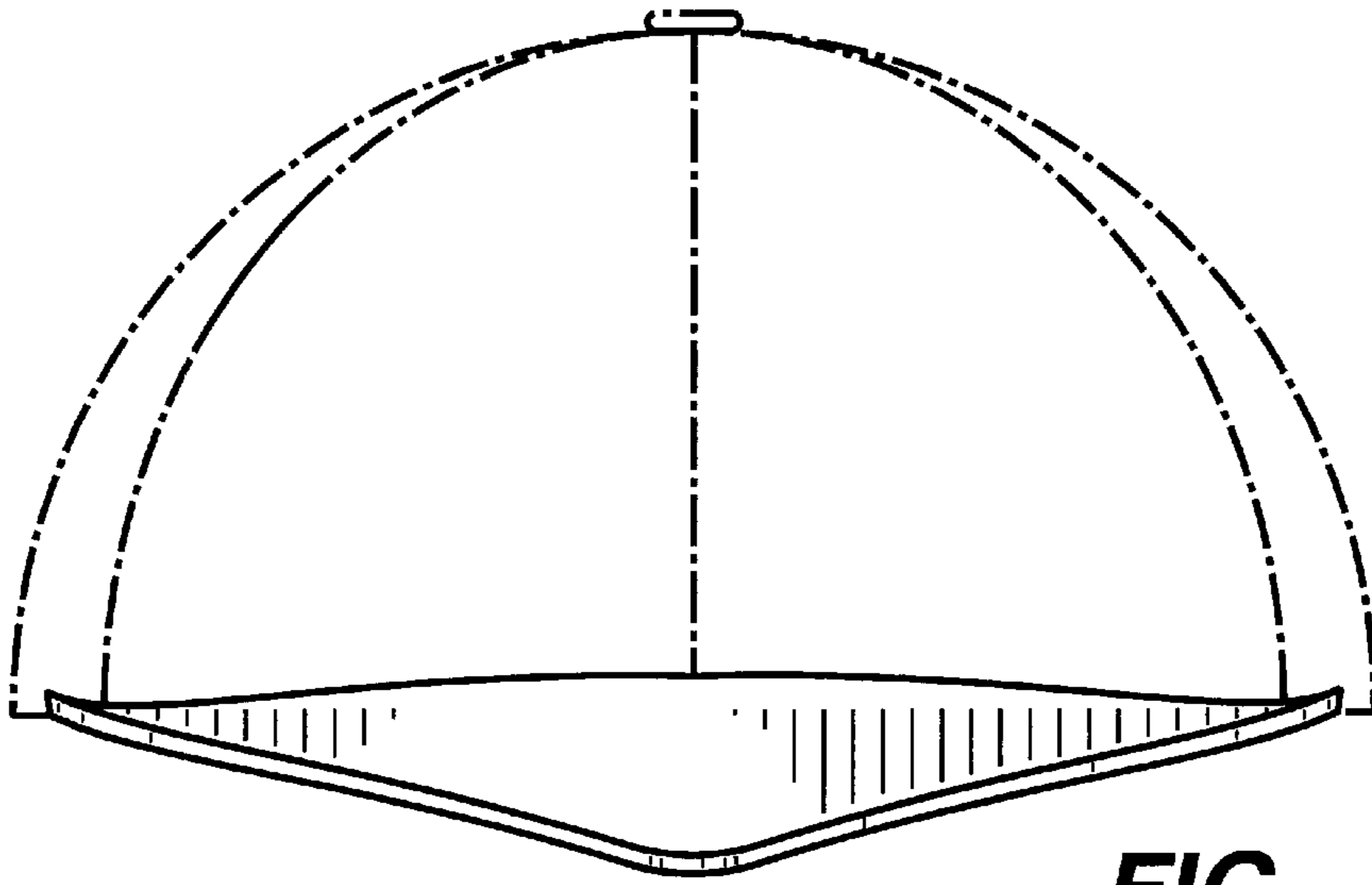


FIG._4

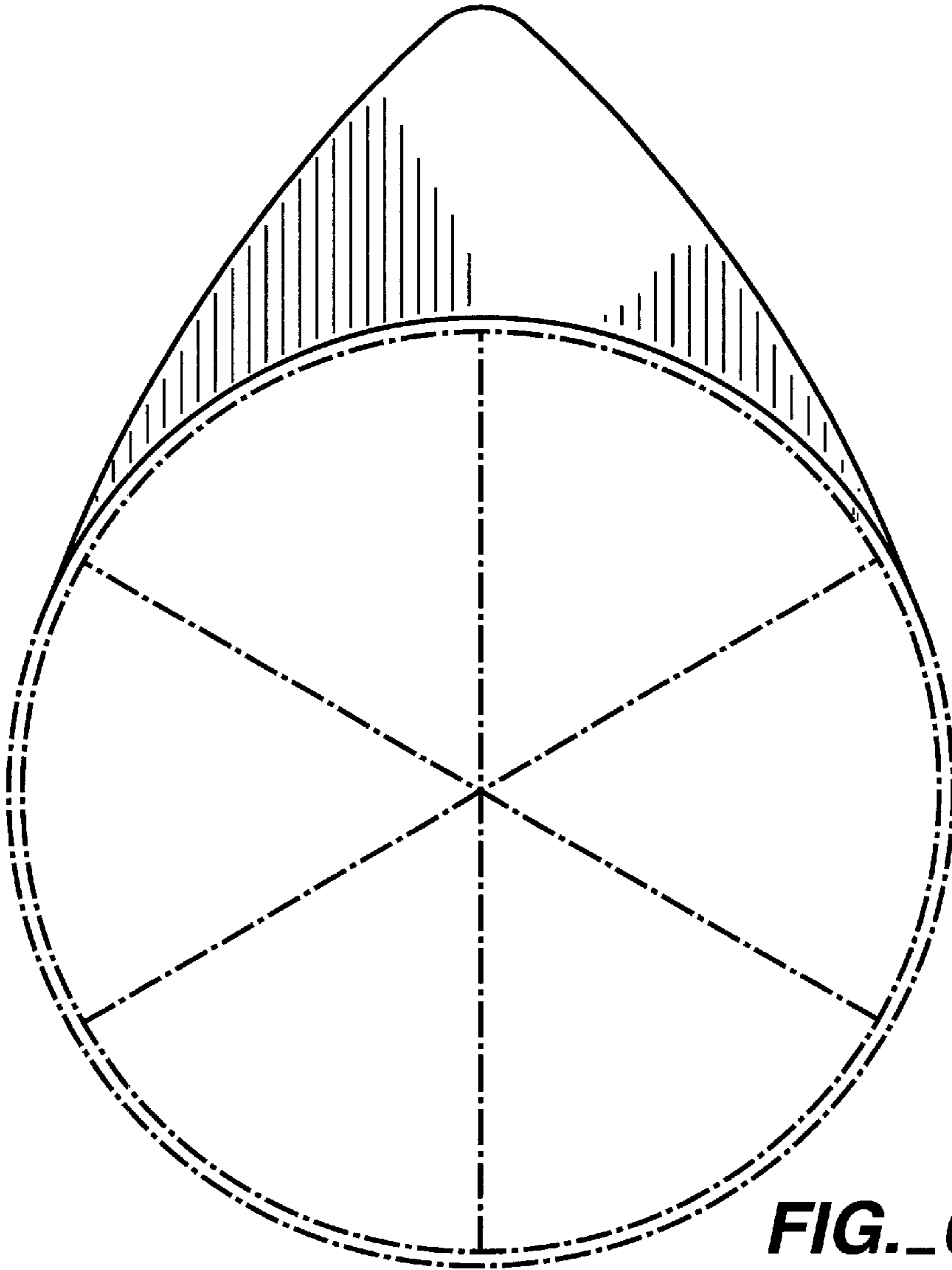


FIG._6