



US00D475502S

(12) **United States Design Patent**
Catalano

(10) **Patent No.:** **US D475,502 S**

(45) **Date of Patent:** **** Jun. 3, 2003**

(54) **STRETCHABLE SLEEVE FOR A MAILBOX**

(76) **Inventor:** **Thomas A. Catalano**, 75 Blackstone St., Bellingham, MA (US) 02019

(**) **Term:** **14 Years**

(21) **Appl. No.:** **29/154,828**

(22) **Filed:** **Jan. 30, 2002**

(51) **LOC (7) Cl.** **99-00**

(52) **U.S. Cl.** **D99/31**

(58) **Field of Search** D99/29, 31; D2/858; 2/170; 66/173, 171; 232/17, 33; D5/39, 52, 53

(56) **References Cited**

U.S. PATENT DOCUMENTS

- 4,047,400 A * 9/1977 Thorneburg 66/171
- D259,220 S * 5/1981 Small et al. D2/858 X
- 4,600,143 A * 7/1986 Harlow, Jr. et al. 232/17

* cited by examiner

Primary Examiner—Paula A. Mortimer

(74) *Attorney, Agent, or Firm*—Salter & Michaelson

(57) **CLAIM**

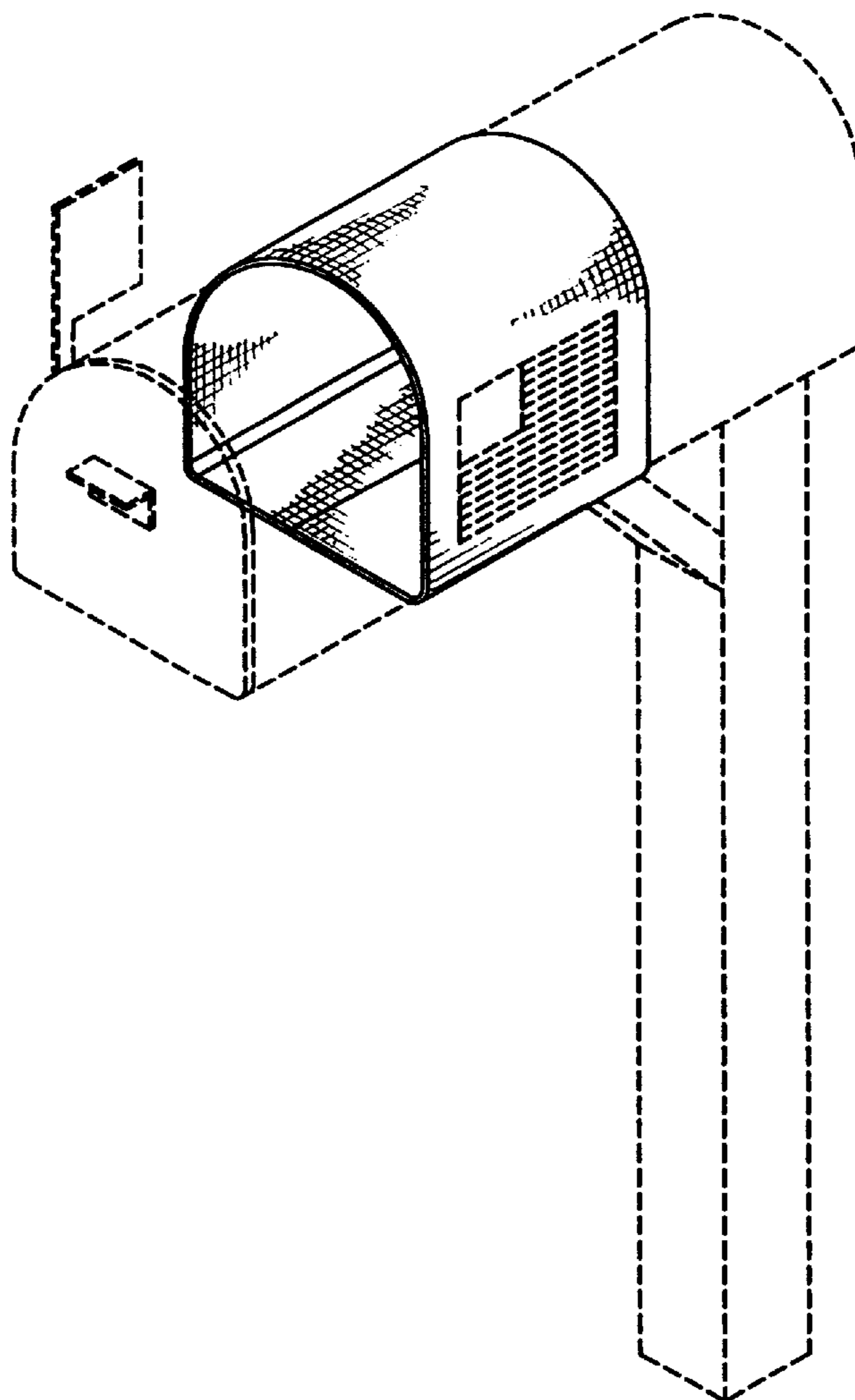
The ornamental design for a stretchable sleeve for a mailbox, as shown and described.

DESCRIPTION

FIG. 1 is a perspective view of a stretchable sleeve for a mailbox showing my new design in an installed position; FIG. 2 is a perspective view thereof; FIG. 3 is a front elevational view thereof; FIG. 4 is a rear elevational view thereof; FIG. 5 is a top plan view thereof; FIG. 6 is a bottom plan view thereof; FIG. 7 is a left side elevational view thereof; and, FIG. 8 is a right side elevational view thereof.

The portions shown in broken lines are included for illustrative purpose only and form no part of the claimed design.

1 Claim, 3 Drawing Sheets



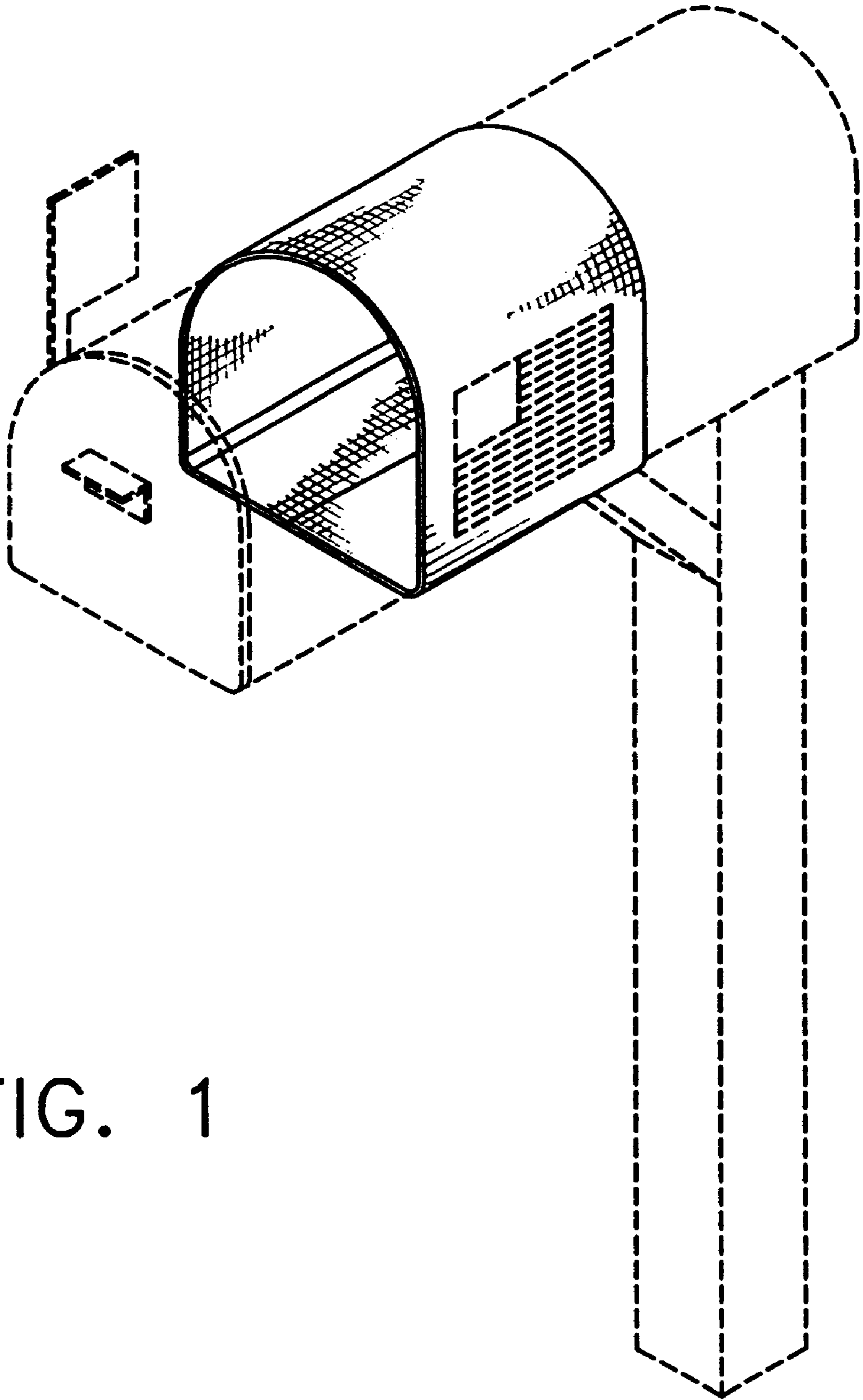


FIG. 1

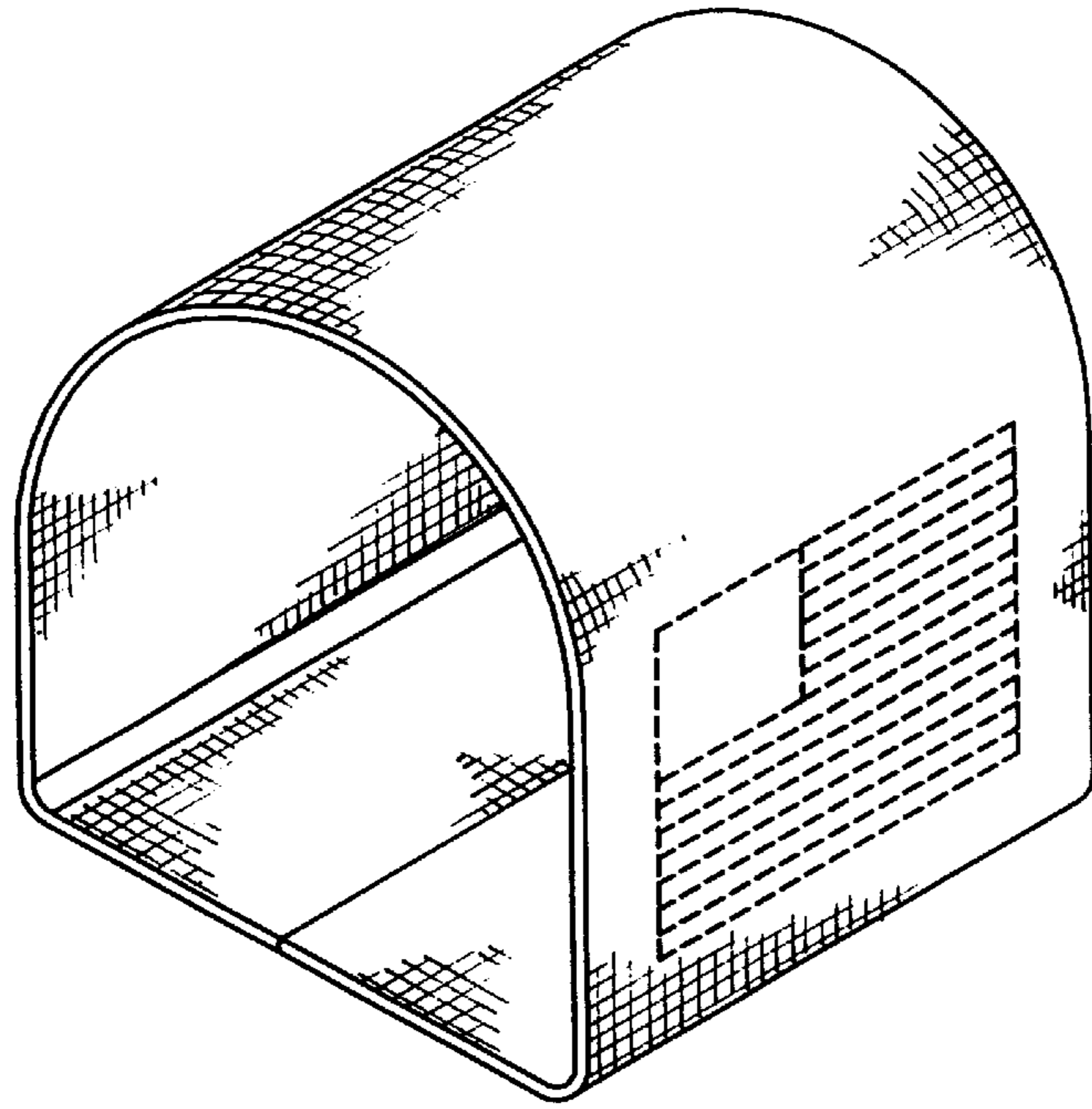


FIG. 2

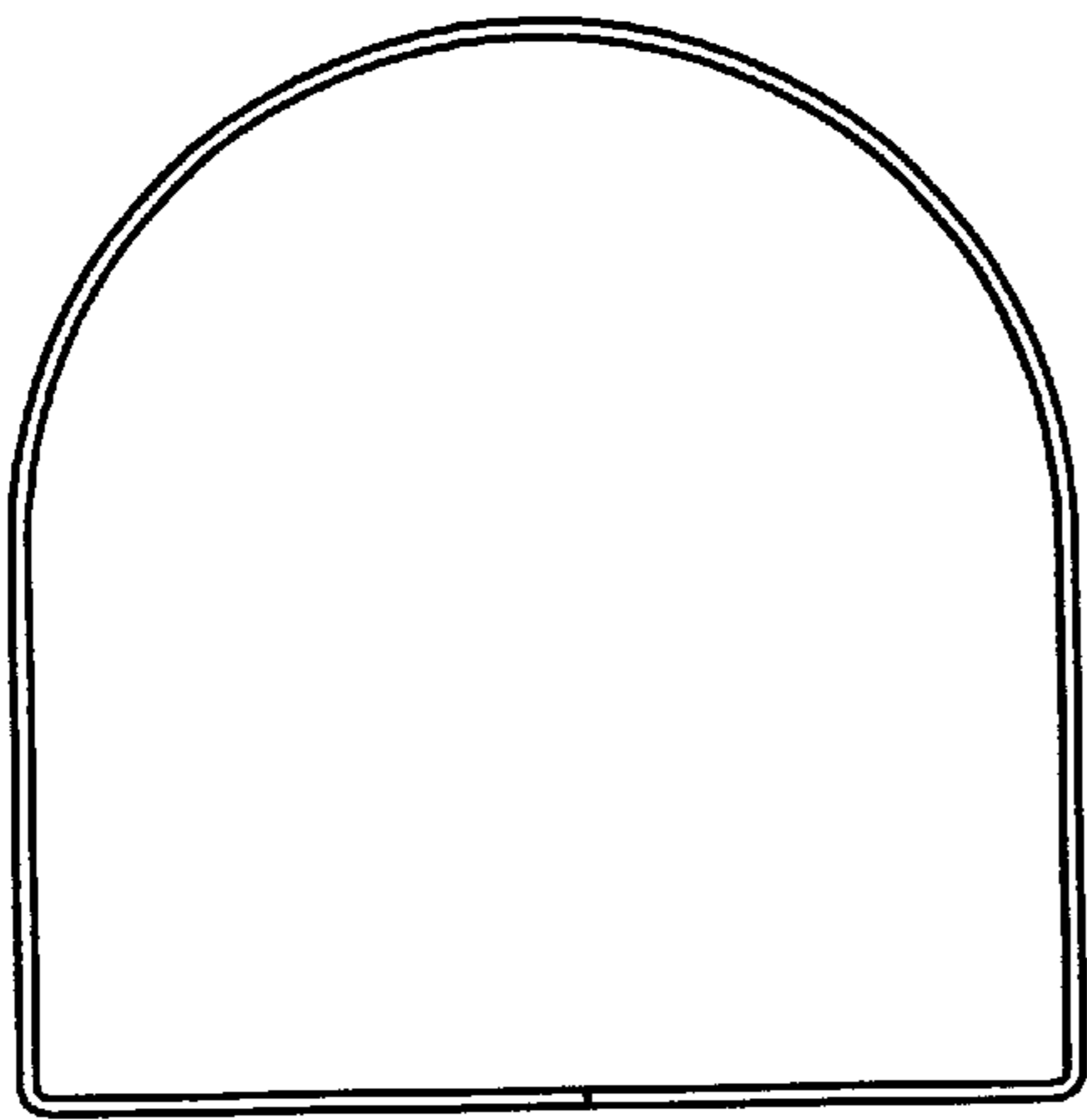


FIG. 3

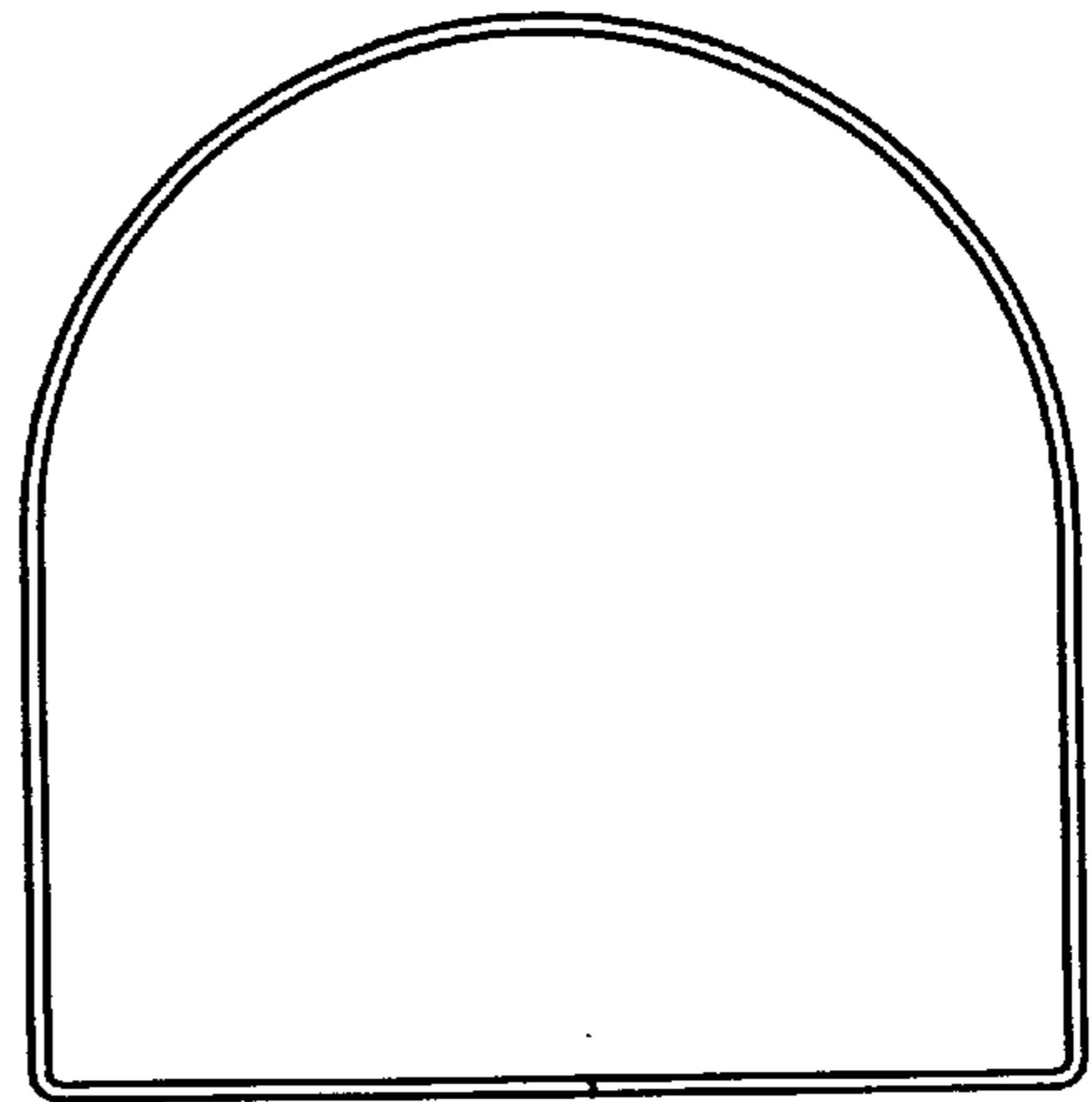


FIG. 4

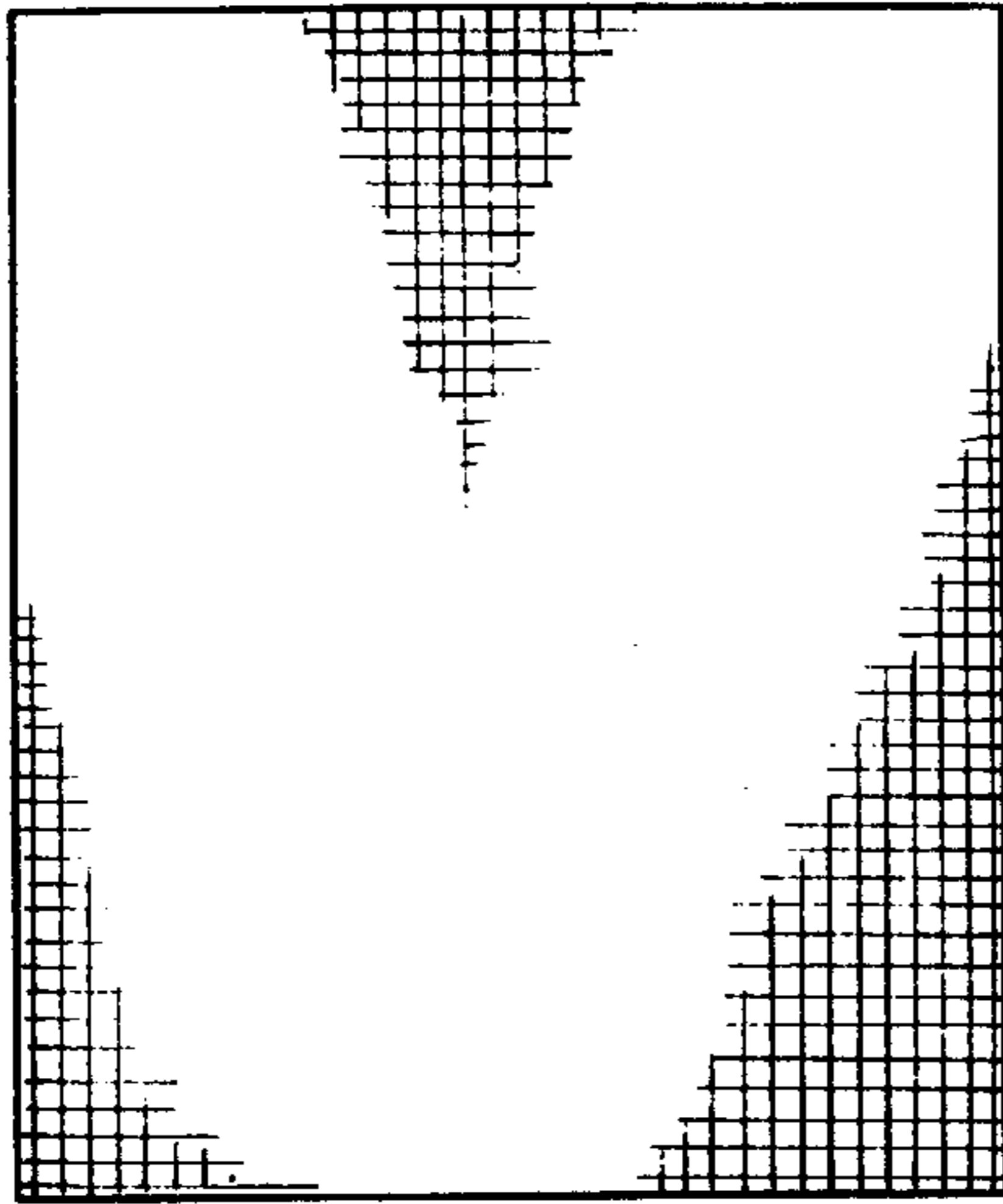


FIG. 5

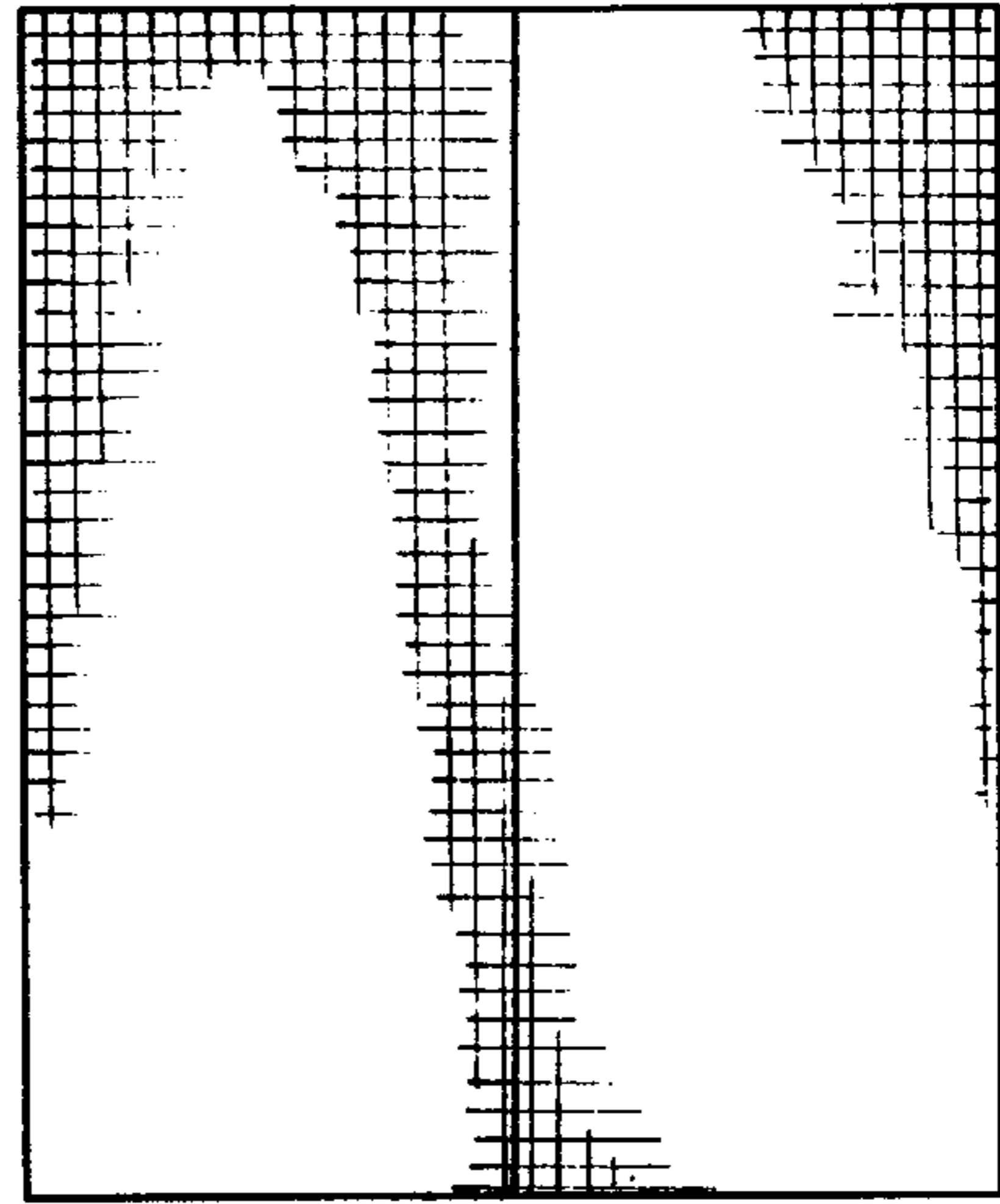


FIG. 6

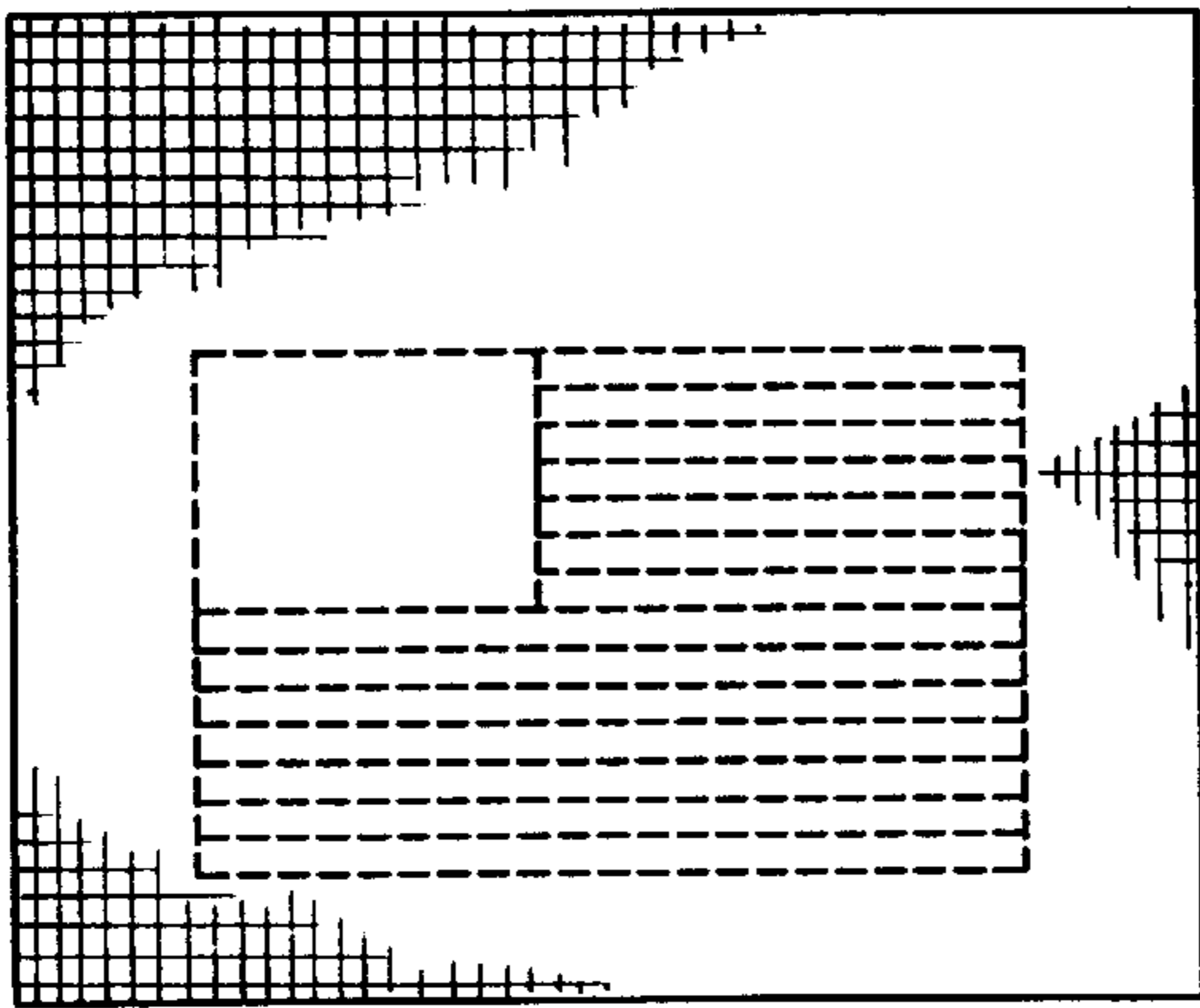


FIG. 7

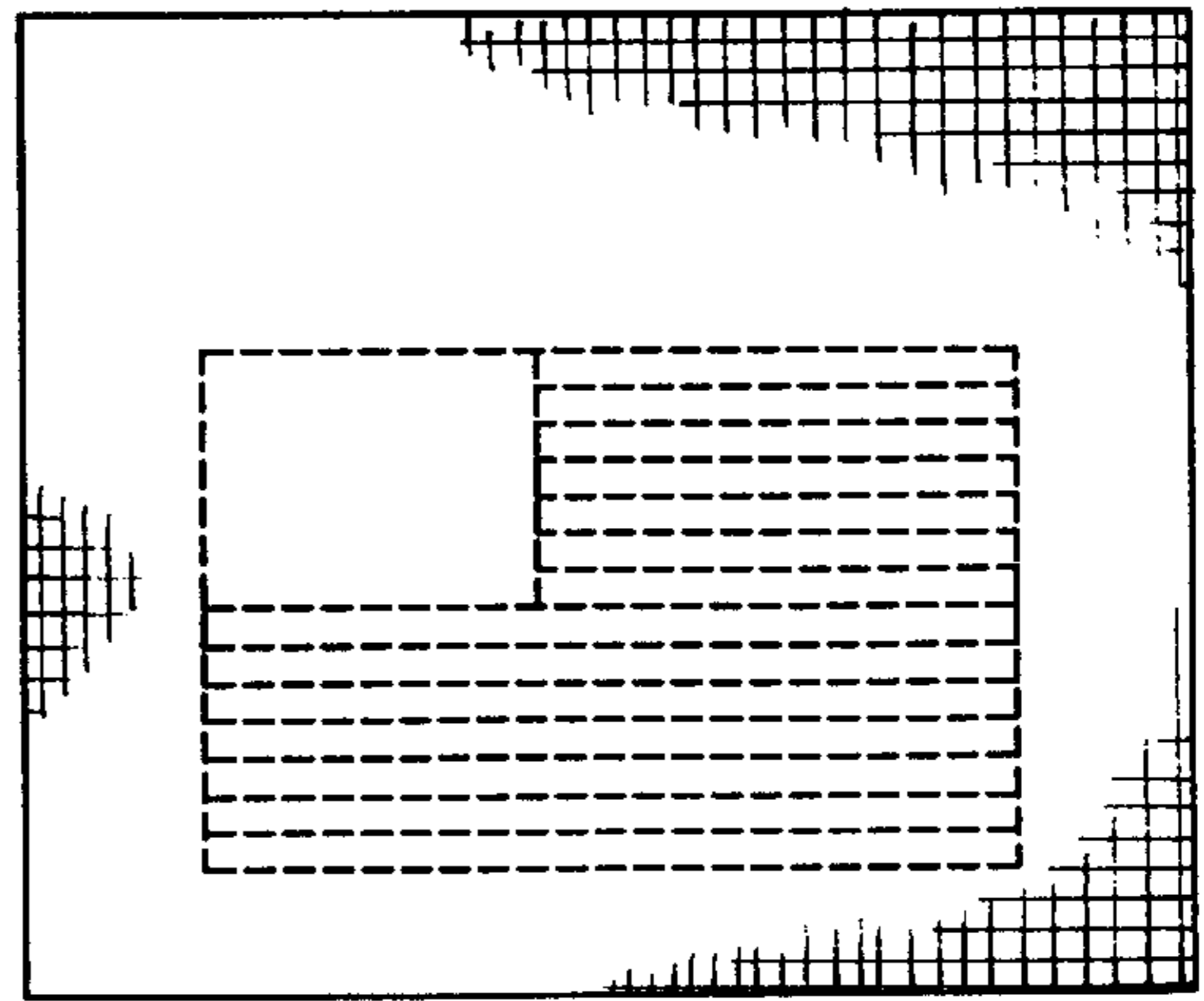


FIG. 8