



US00D475498S

(12) **United States Design Patent**
Christensen

(10) **Patent No.:** **US D475,498 S**

(45) **Date of Patent:** **** Jun. 3, 2003**

(54) **LIGHTING CRANK STAND**

D461,615 S * 8/2002 Bainter D34/31

(76) Inventor: **Louis S. Christensen**, 1503 N.
Coolidge Ave., Pasadena, CA (US)
91104

* cited by examiner

Primary Examiner—Cynthia E. Ramirez
(74) *Attorney, Agent, or Firm*—Boniard I. Brown

(**) Term: **14 Years**

(57) **CLAIM**

(21) Appl. No.: **29/158,575**

The ornamental design for a lighting crank stand, as shown and described.

(22) Filed: **Apr. 5, 2002**

DESCRIPTION

(51) **LOC (7) Cl.** **12-05**

(52) **U.S. Cl.** **D34/33**

(58) **Field of Search** D34/28, 33, 31;
254/134, DIG. 16, 133, 8 B, 131, 8 R;
414/426, 427, 433, 428, 430; 280/79.4

FIG. 1 is a perspective view of a lighting crank stand, showing my new design;
FIG. 2 is a frontal perspective view thereof;
FIG. 3 is a left side perspective view thereof;
FIG. 4 is a rear perspective view thereof;
FIG. 5 is a right side perspective view thereof;
FIG. 6 is a top plan view thereof;
FIG. 7 is a bottom plan view thereof; and,
FIG. 8 is a frontal perspective view thereof, with legs in retracted positions.

(56) **References Cited**

U.S. PATENT DOCUMENTS

2,592,845	A	*	4/1952	Aron	254/134
4,653,710	A	*	3/1987	Dickison	254/8 R
4,899,986	A	*	2/1990	Tweedy	254/8 B
5,156,375	A	*	10/1992	Liegel et al.	254/DIG. 16
D418,033	S	*	12/1999	Svedberg	D34/31
D425,282	S	*	5/2000	Sorensen	D34/31
D431,707	S	*	10/2000	Few	D34/31
6,257,552	B1	*	7/2001	Crow et al.	254/134

The broken line showings of caster wheels in all figures are for illustrative purposes only and form no part of the claimed design.

1 Claim, 8 Drawing Sheets

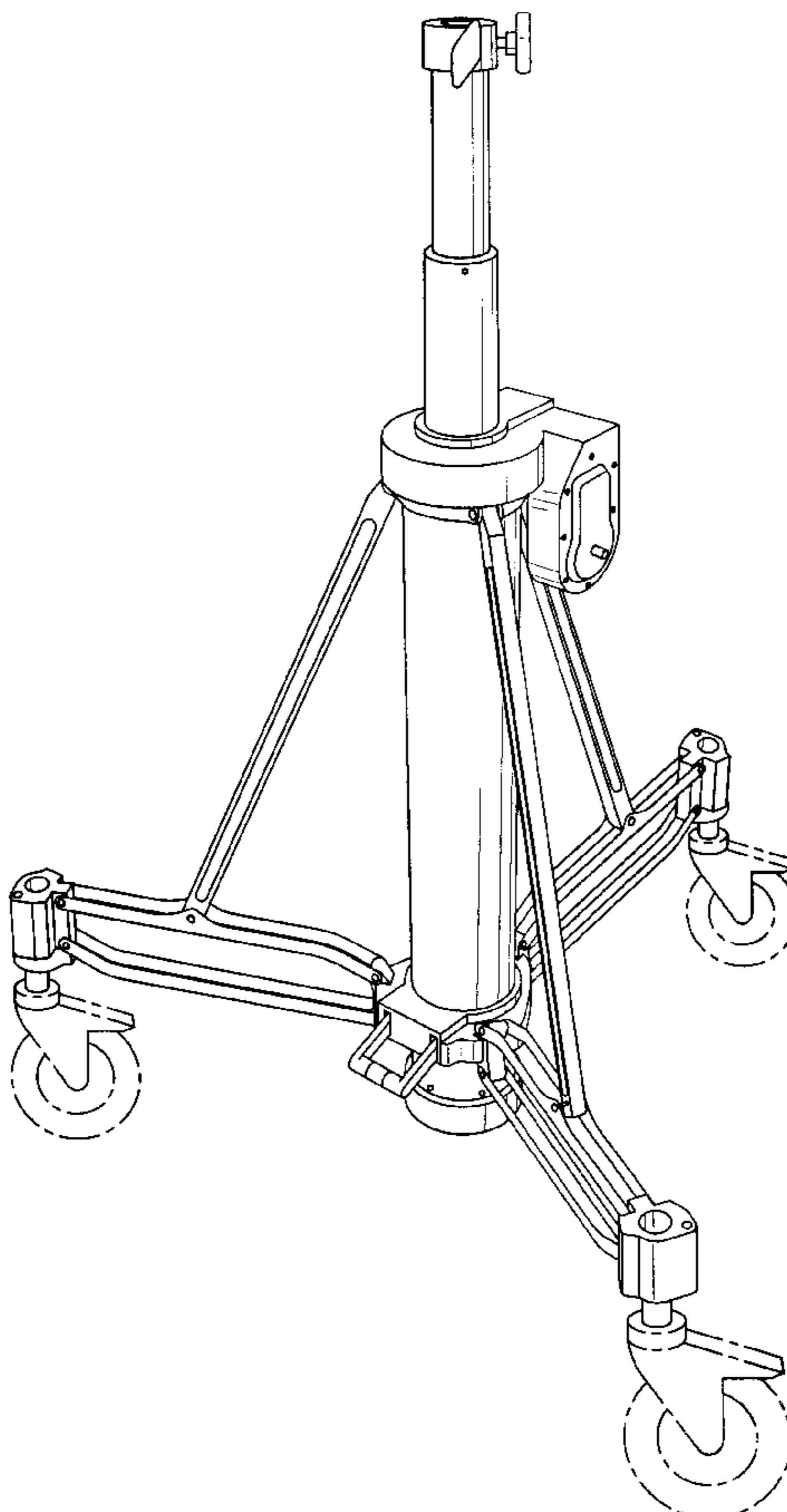
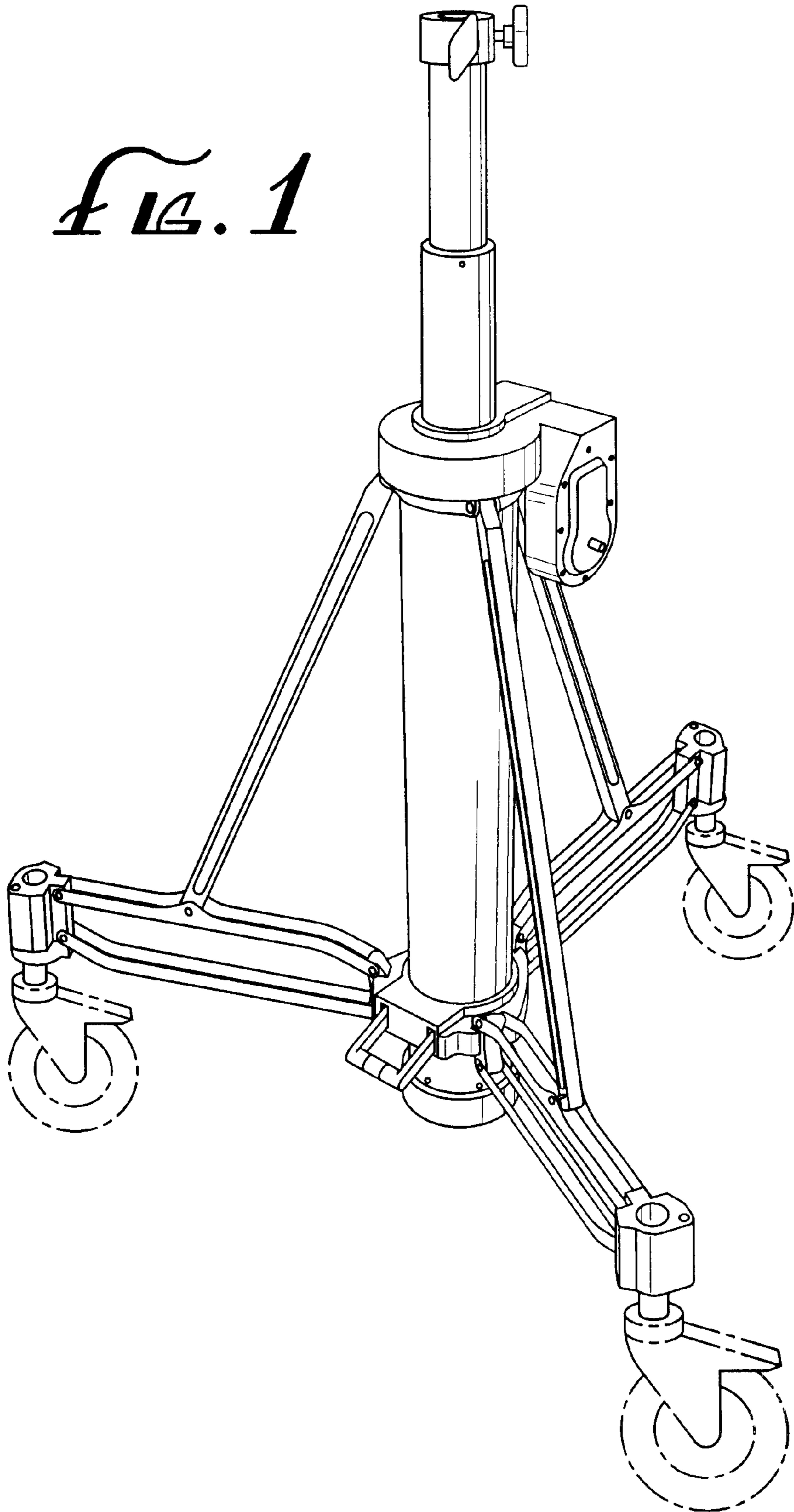


FIG. 1



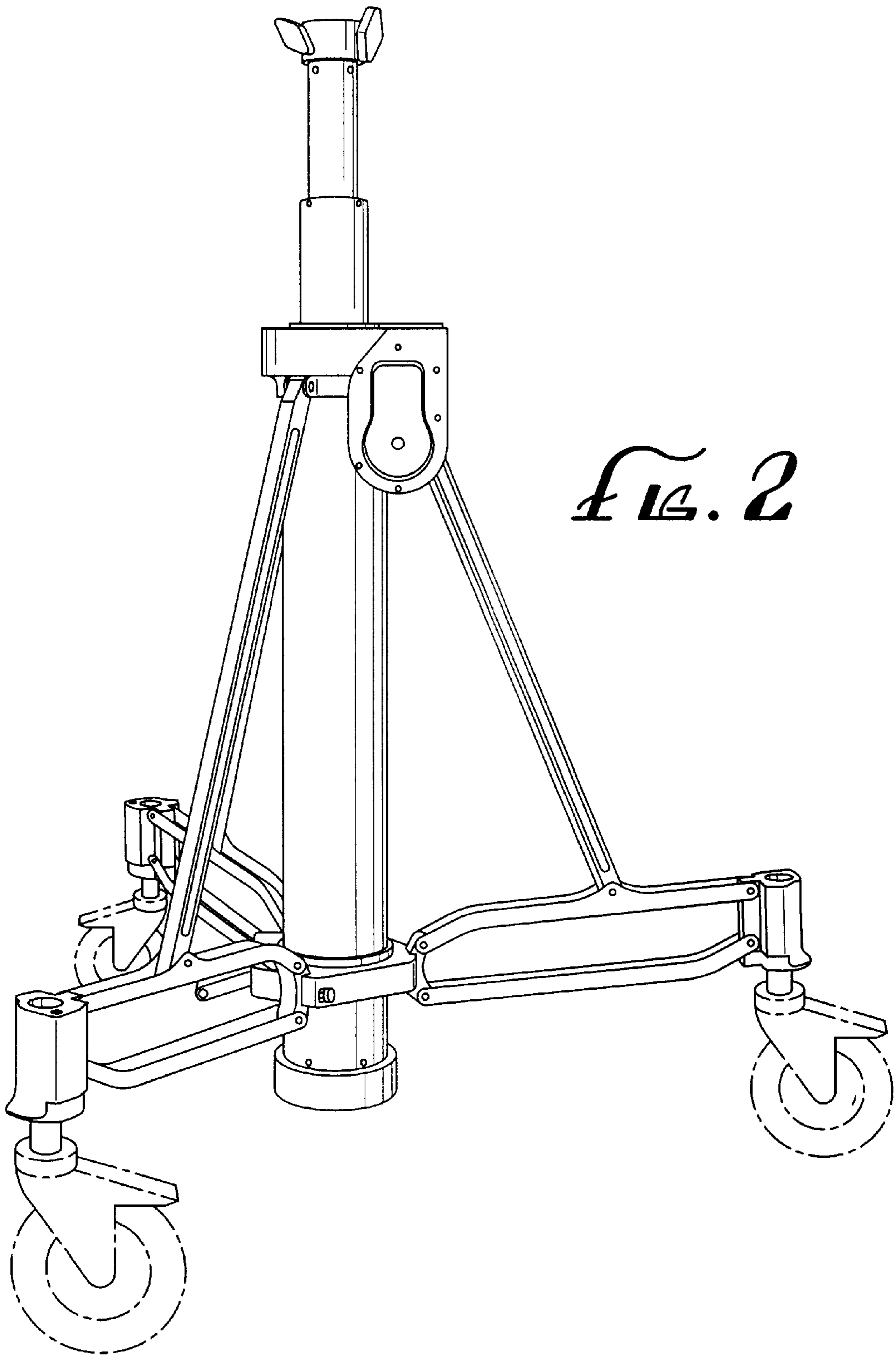


FIG. 2

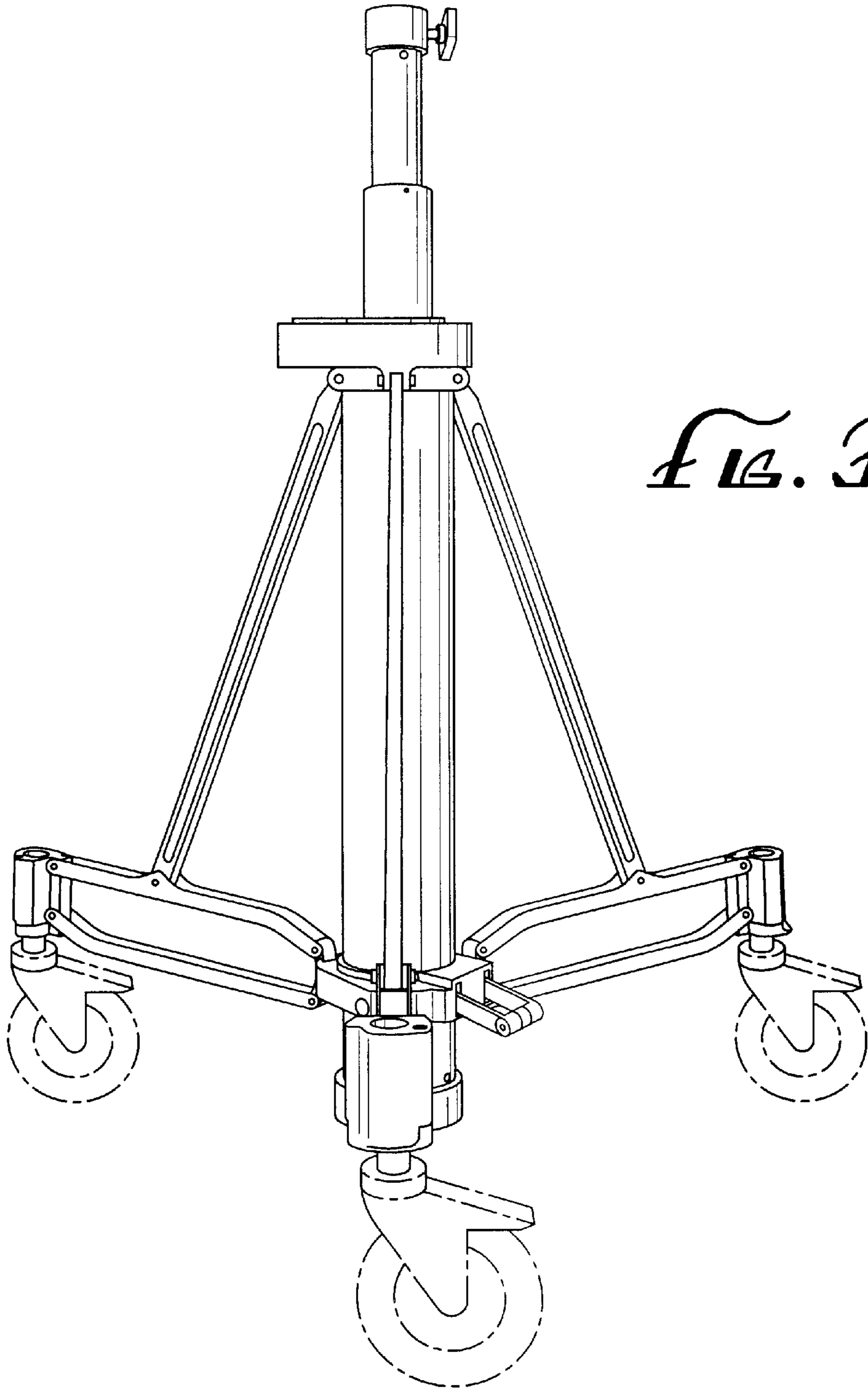
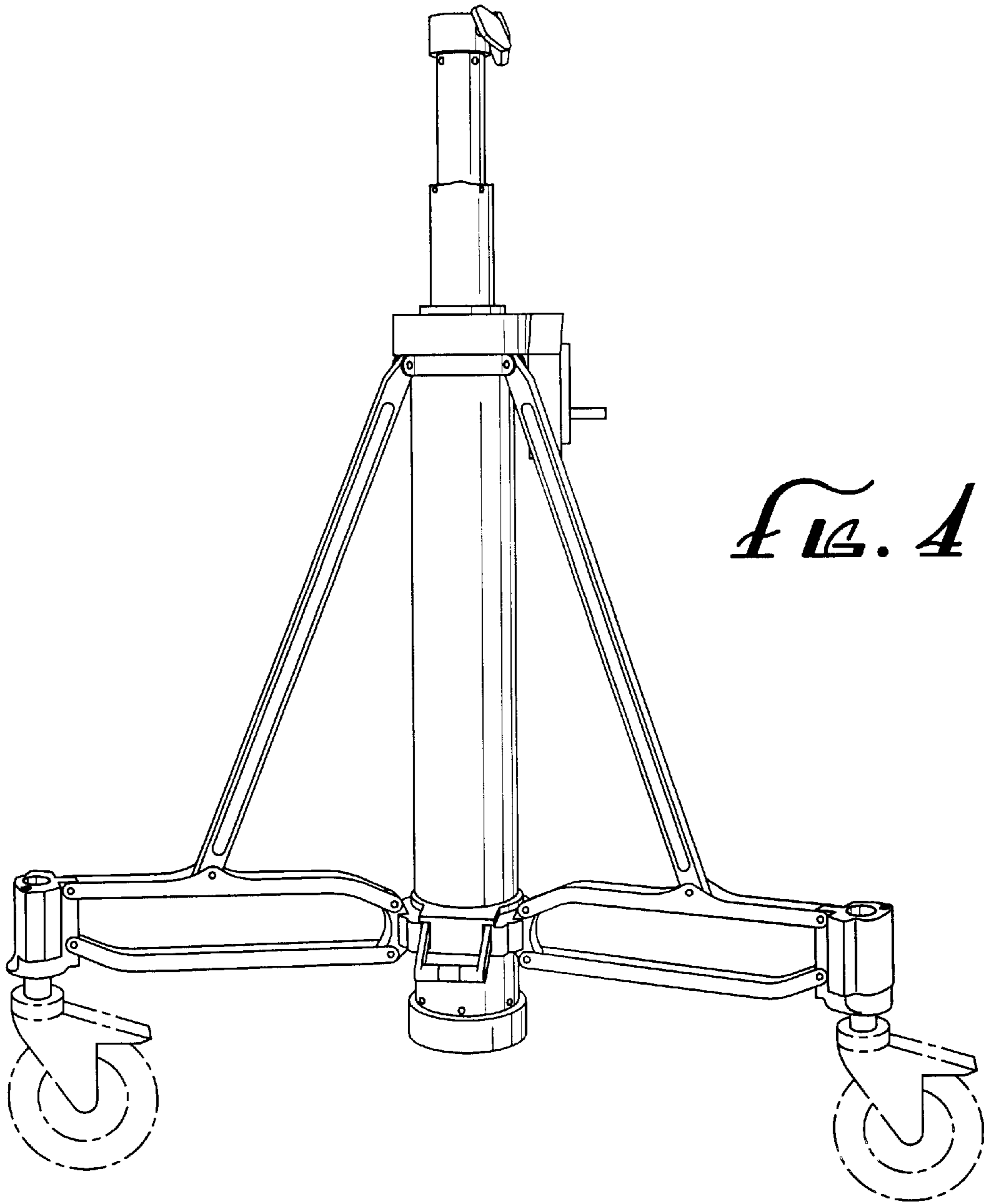


FIG. 3



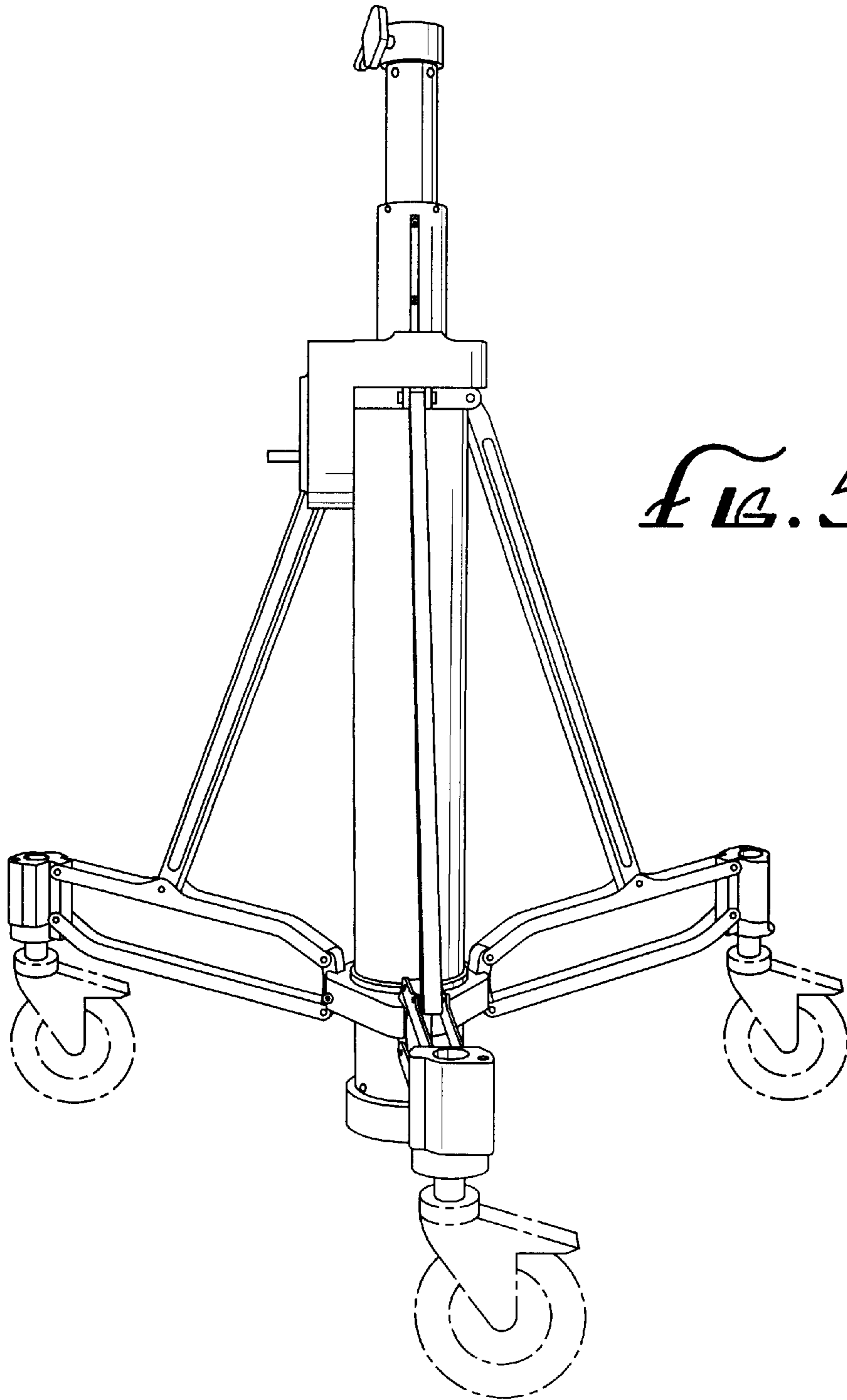


FIG. 5

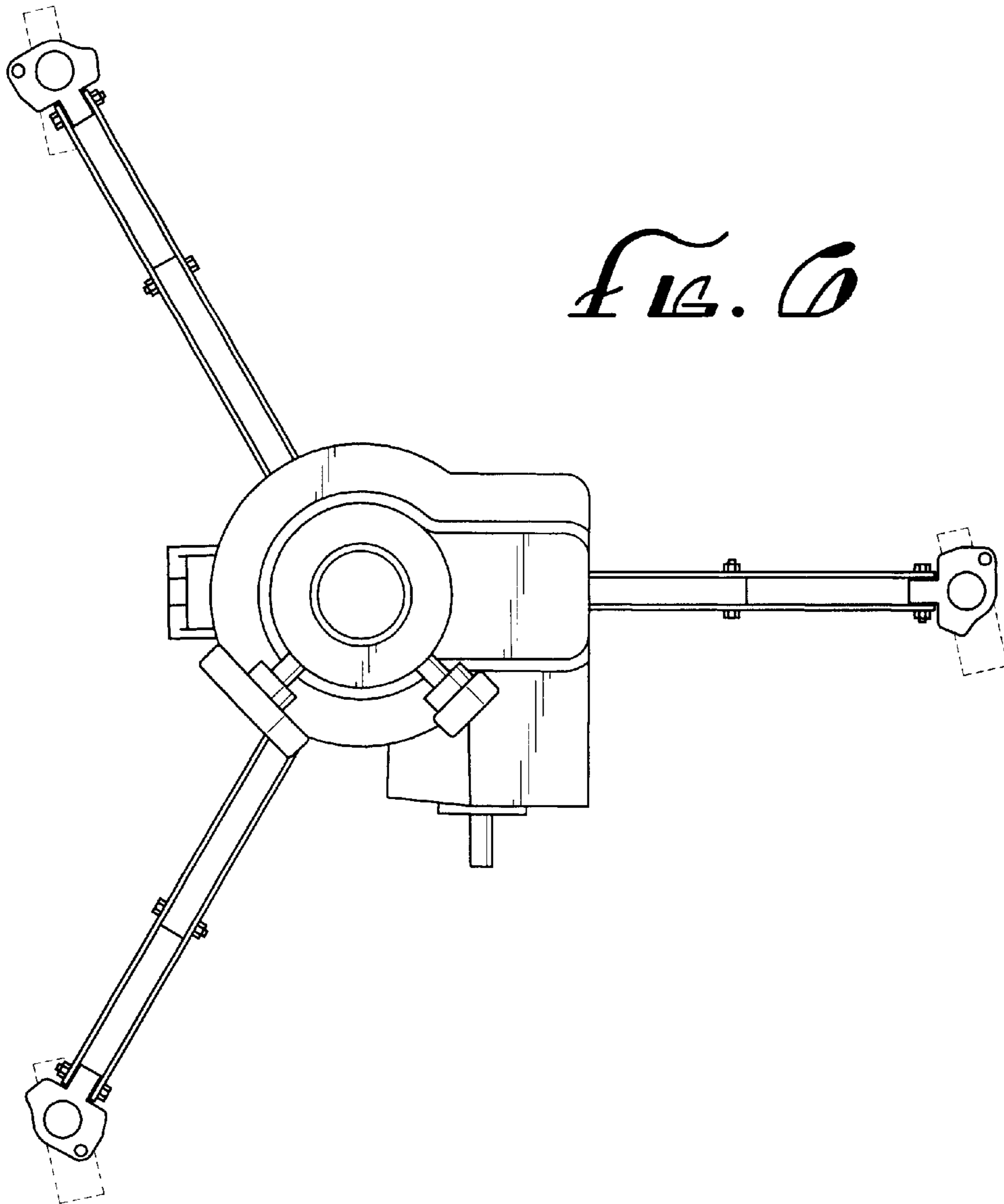
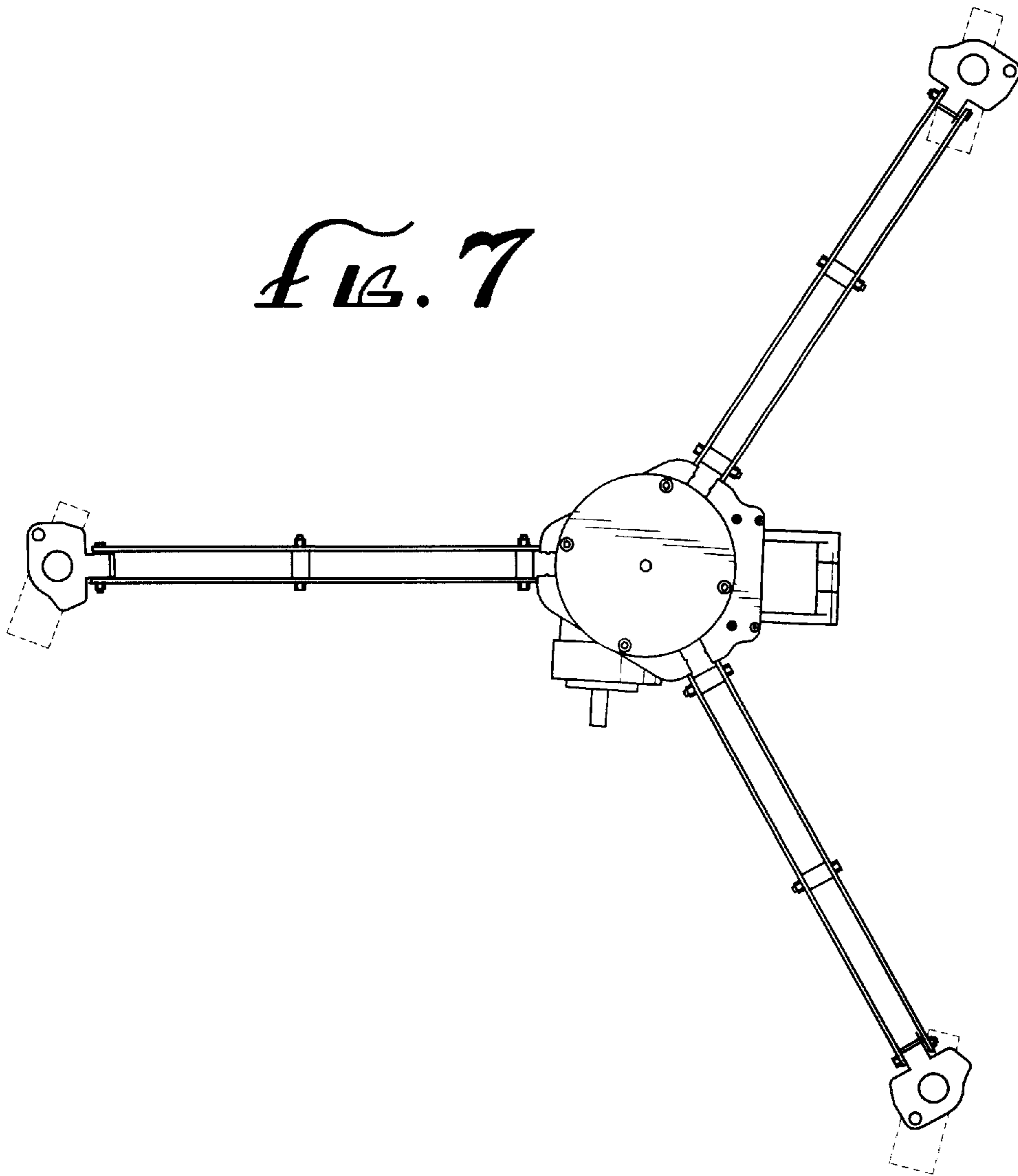


FIG. 7



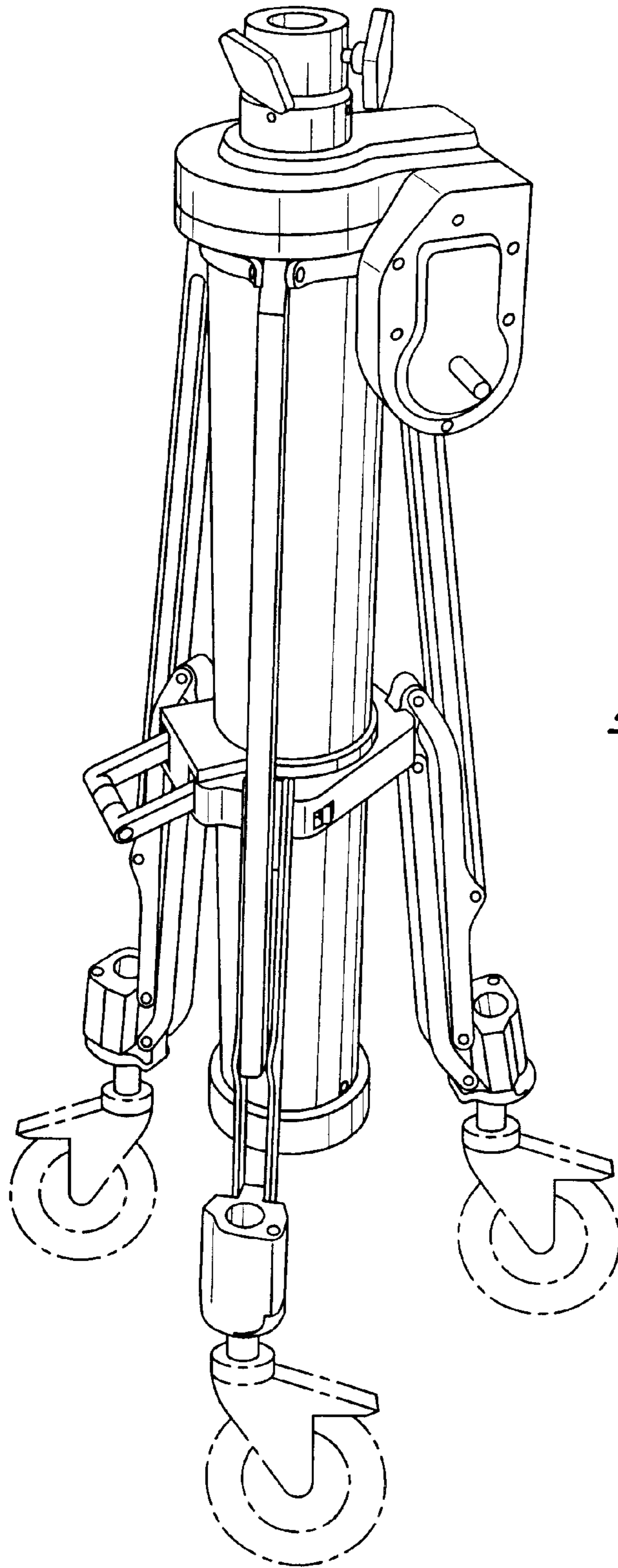


FIG. 8