



US00D475497S

(12) **United States Design Patent**  
**DiStaulo**

(10) **Patent No.:** **US D475,497 S**

(45) **Date of Patent:** **\*\* Jun. 3, 2003**

(54) **PLOW BLADE MOUNT**

(75) **Inventor:** **Michael DiStaulo, Aurora, OH (US)**

(73) **Assignee:** **All-Type Welding and Fabrication, Inc., Glenwillow, OH (US)**

(\*\*) **Term:** **14 Years**

(21) **Appl. No.:** **29/169,124**

(22) **Filed:** **Oct. 15, 2002**

(51) **LOC (7) Cl. .... 12-05**

(52) **U.S. Cl. .... D34/28**

(58) **Field of Search .... D34/28, 18, 23, D34/27; 414/429, 426; 280/62, 79.7, 79.11, 79.3, 43.24**

(56) **References Cited**

**U.S. PATENT DOCUMENTS**

469,507 A	*	2/1892	Spencer	280/79.11
2,471,051 A	*	5/1949	Tway	280/79.11
4,471,971 A	*	9/1984	Keesler	280/79.11
4,572,531 A	*	2/1986	Elia	280/79.11
4,630,838 A	*	12/1986	Stockton	280/43.24
4,854,803 A	*	8/1989	Coccaro	414/429
4,976,449 A	*	12/1990	Lotspeich et al.	280/79.7
D315,239 S	*	3/1991	Krause et al.	D34/28
5,071,151 A	*	12/1991	Irwin	280/43.24
5,112,070 A	*	5/1992	Hahn	280/79.3

5,176,487 A	*	1/1993	Flitton	414/428
5,335,923 A	*	8/1994	Langenback et al.	280/79.11
D366,547 S	*	1/1996	Arn	D34/23
D371,450 S	*	7/1996	Hodges	D34/23
D377,700 S	*	1/1997	Butler	D34/28
5,609,461 A	*	3/1997	Linchtenberg	414/426
5,732,960 A	*	3/1998	Elam	414/426
D416,120 S	*	11/1999	Campolito	D34/28
D420,482 S	*	2/2000	Hultqvist et al.	D34/28
6,287,069 B1	*	9/2001	Oliphant et al.	414/426
D467,402 S	*	12/2002	DiStaulo	D34/28

\* cited by examiner

*Primary Examiner*—Cynthia E. Ramirez

(74) *Attorney, Agent, or Firm*—Pearne & Gordon LLP

(57) **CLAIM**

The ornamental design for a plow blade mount, as shown and described.

**DESCRIPTION**

FIG. 1 is a perspective view of a plow blade mount, showing my new design.

FIG. 2 is top view thereof.

FIG. 3 is a side view thereof.

FIG. 4 is a rear view thereof.

FIG. 5 is an opposite side view thereof.

FIG. 6 is a bottom view thereof; and,

FIG. 7 is a front view thereof.

**1 Claim, 3 Drawing Sheets**

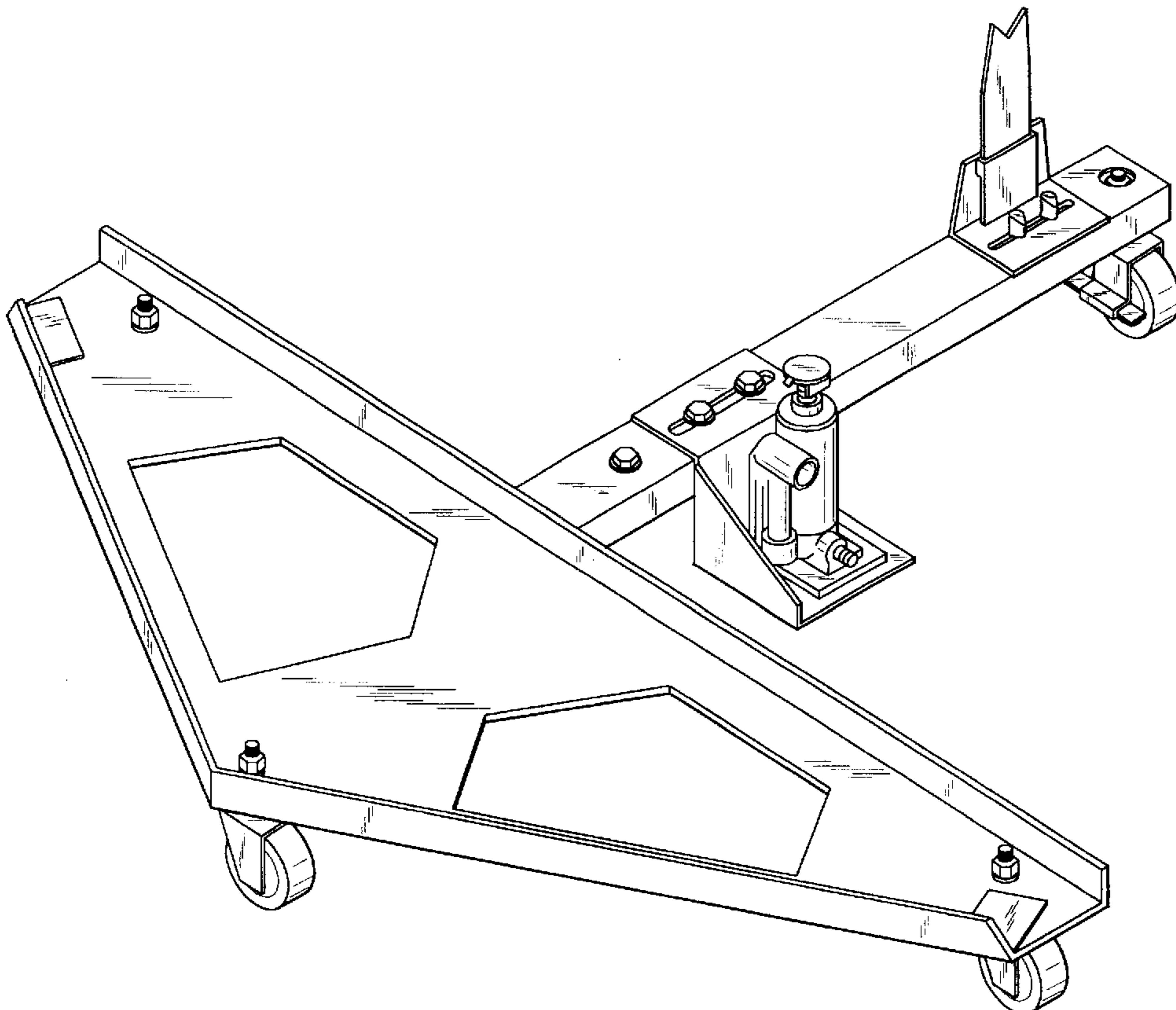
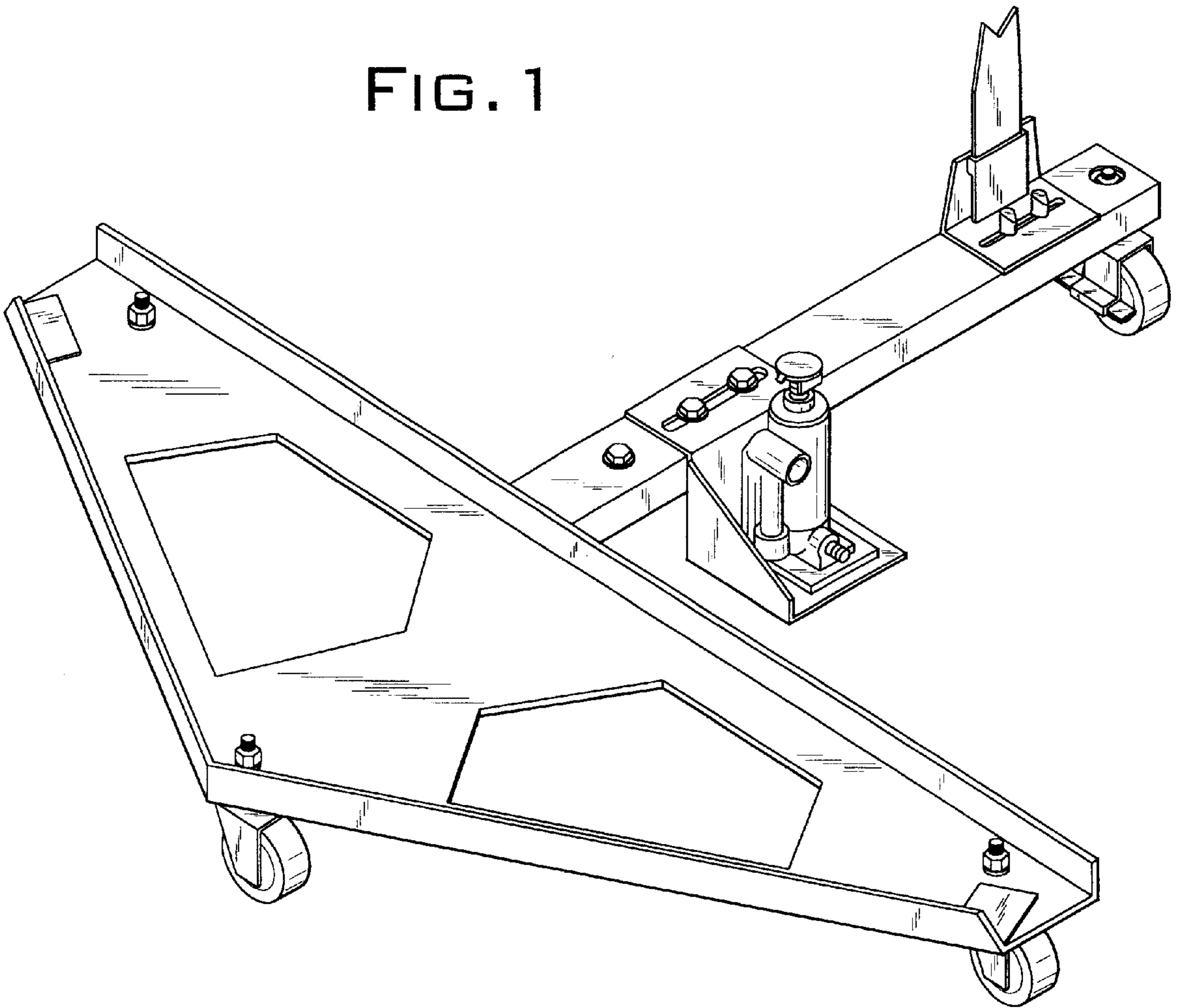


FIG. 1



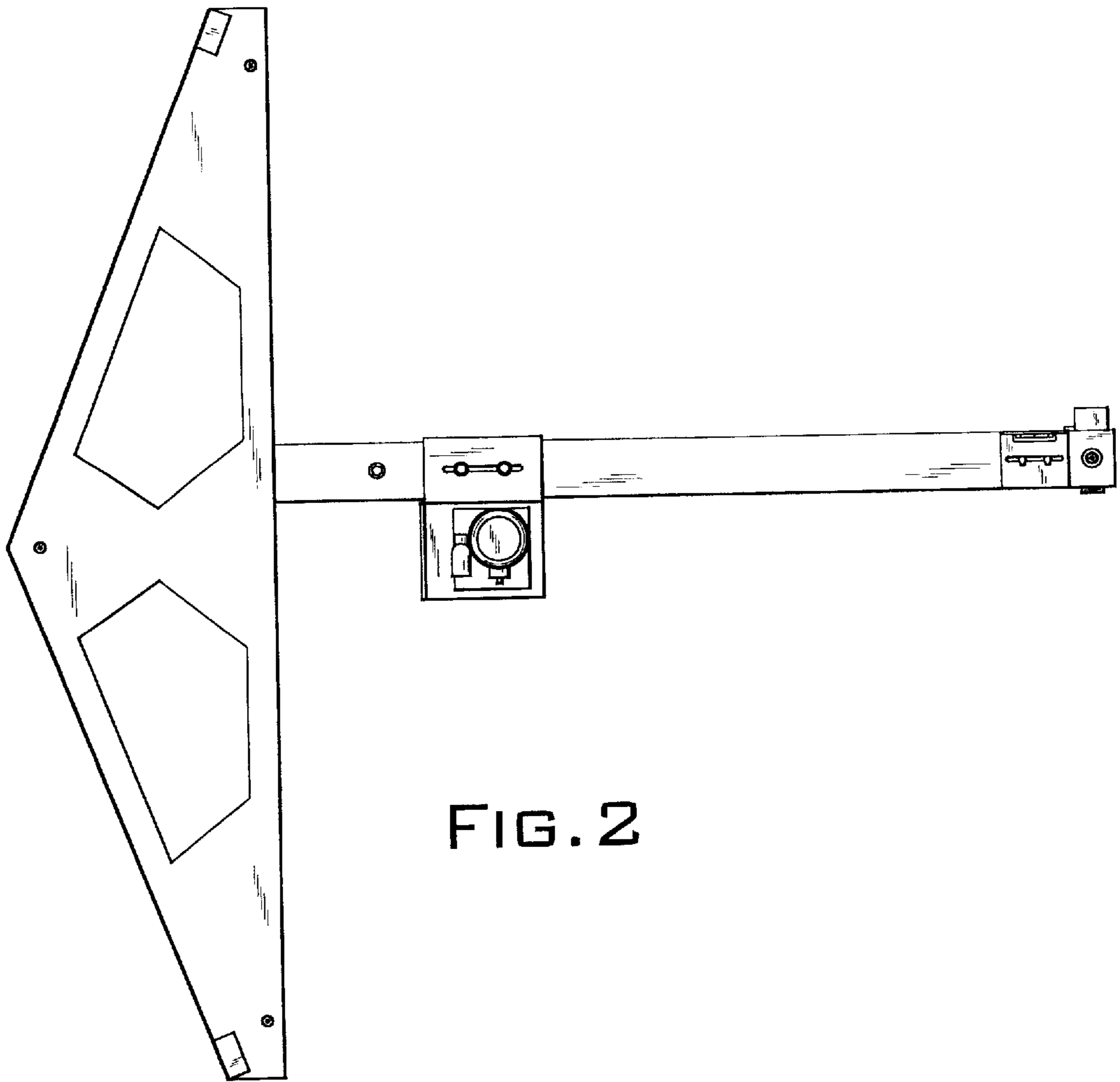


FIG. 2

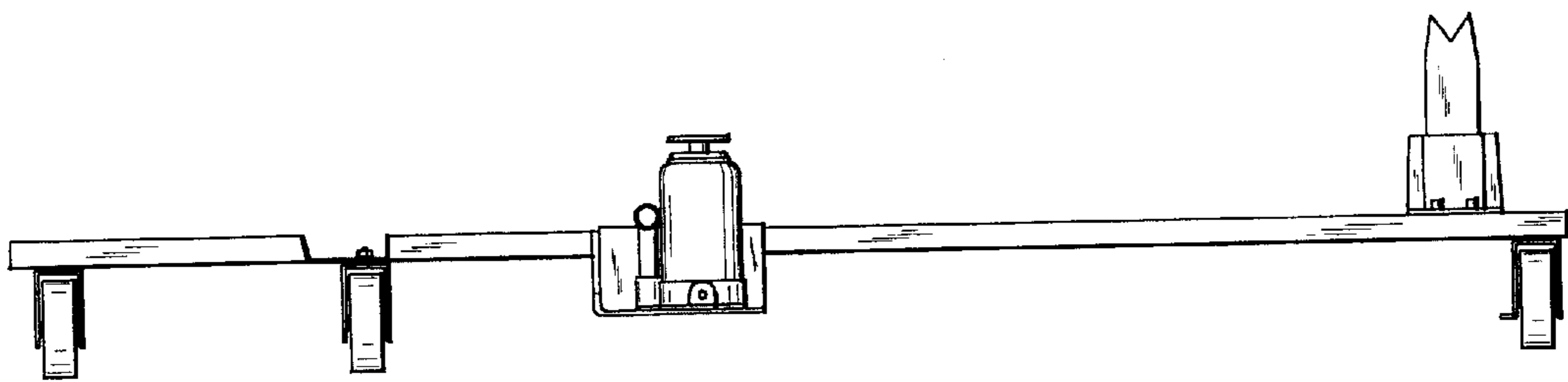


FIG. 3

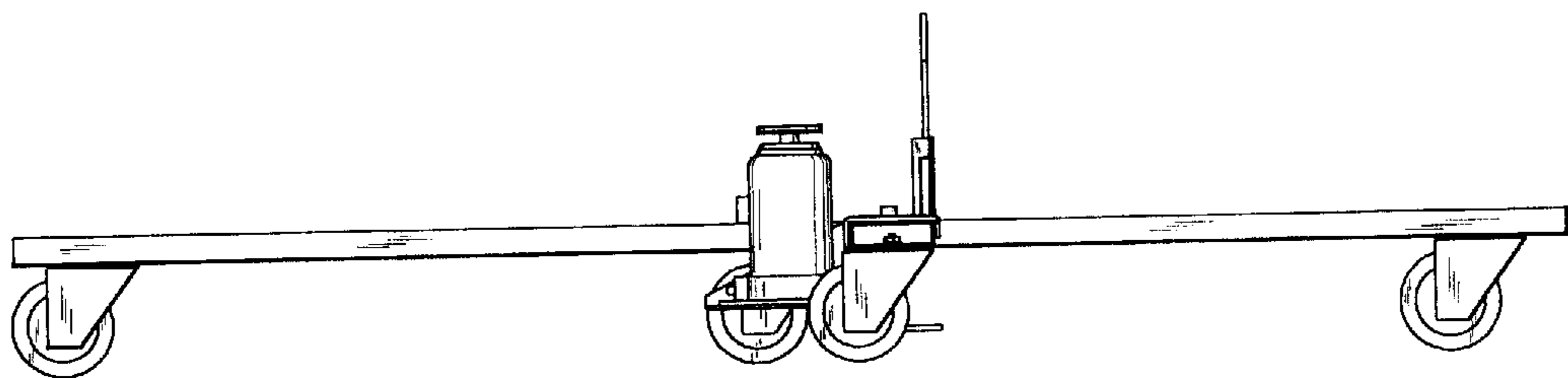


FIG. 4

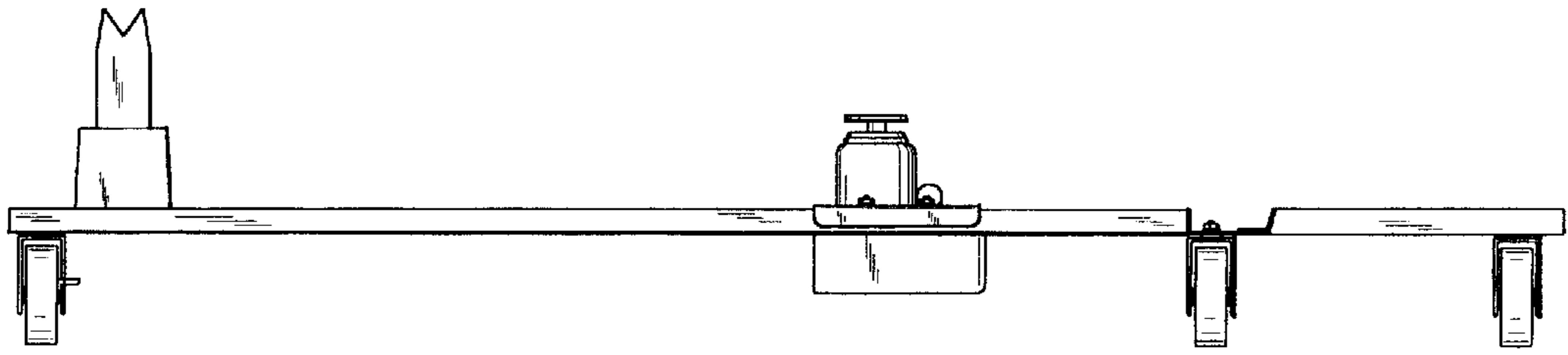


FIG. 5

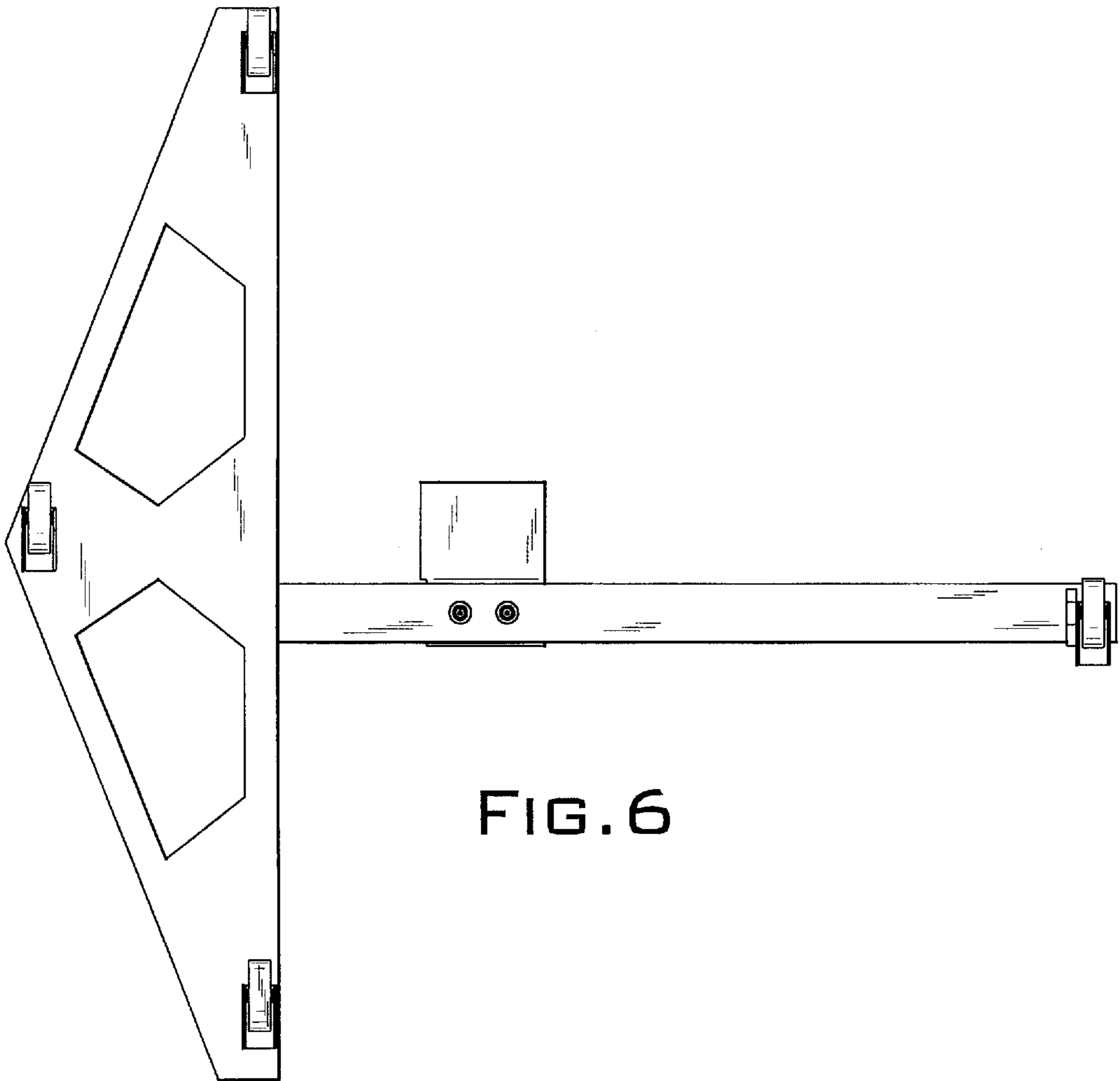


FIG. 6

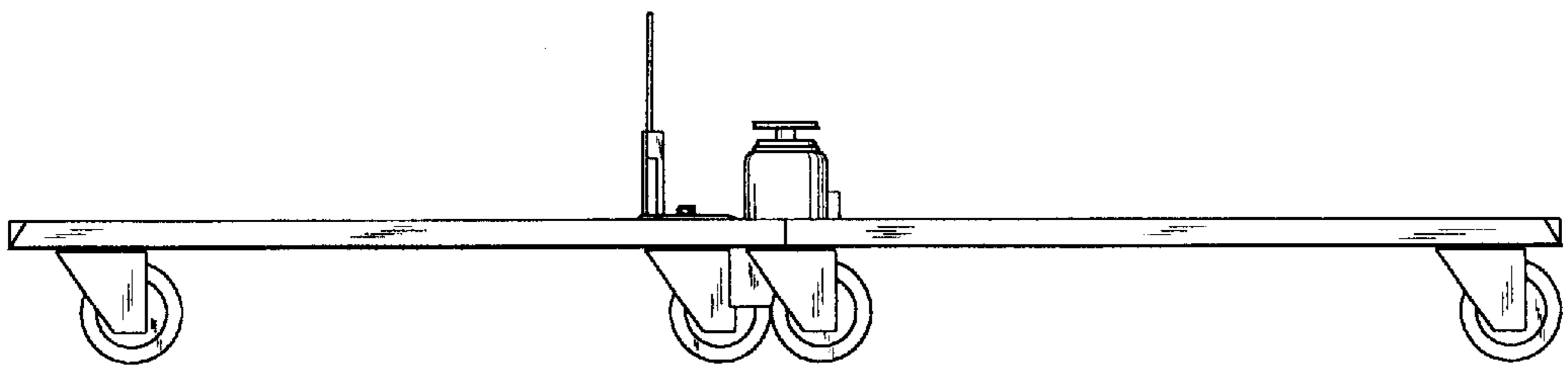


FIG. 7