



US00D475494S

(12) **United States Design Patent**  
**Kotsias**

(10) **Patent No.:** **US D475,494 S**

(45) **Date of Patent:** **\*\* Jun. 3, 2003**

(54) **WASTE RECEPTACLE**

(76) **Inventor:** **Elias Kotsias**, 23-18 24<sup>th</sup> Ave., Long Island City, NY (US) 11102

(\*\*) **Term:** **14 Years**

(21) **Appl. No.:** **29/143,121**

(22) **Filed:** **Jun. 7, 2001**

(51) **LOC (7) Cl.** ..... **09-09**

(52) **U.S. Cl.** ..... **D34/4; D32/37**

(58) **Field of Search** ..... **D34/1, 4; D32/37, D32/36; D21/703; 273/1.5 R, 1.5 A, 400, 403; 220/908-911**

(56) **References Cited**

**U.S. PATENT DOCUMENTS**

D235,897 S	*	7/1975	Breneman	.....	D21/703
D305,817 S	*	1/1990	Eliott	.....	D32/37
D307,962 S	*	5/1990	Phelps et al.	.....	D32/37
D308,268 S	*	5/1990	Phelps	.....	D32/37
D308,431 S	*	6/1990	Phelps et al.	.....	D32/37
D308,432 S	*	6/1990	White et al.	.....	D32/37
D309,808 S	*	8/1990	Phelps et al.	.....	D32/37
D321,392 S	*	11/1991	Chen	.....	D32/37 X
5,096,191 A	*	3/1992	Fang	.....	273/1.5 R
D327,981 S	*	7/1992	Speers	.....	D21/703
D339,890 S	*	9/1993	Montgomery	.....	D34/1
5,277,431 A	*	1/1994	O'Grady	.....	273/403
D354,534 S	*	1/1995	Michalik	.....	D21/703
D360,667 S	*	7/1995	Liu	.....	D21/703
D383,348 S	*	9/1997	Frankel	.....	D21/703
D395,132 S	*	6/1998	Drew	.....	D21/703 X

D400,607 S	*	11/1998	Wiedner	.....	D21/703
D409,135 S	*	5/1999	Davis	.....	D21/703
D429,896 S	*	8/2000	Clarke	.....	D21/703

\* cited by examiner

*Primary Examiner*—Cynthia E. Ramirez  
(74) *Attorney, Agent, or Firm*—Jordan and Hamburg LLP

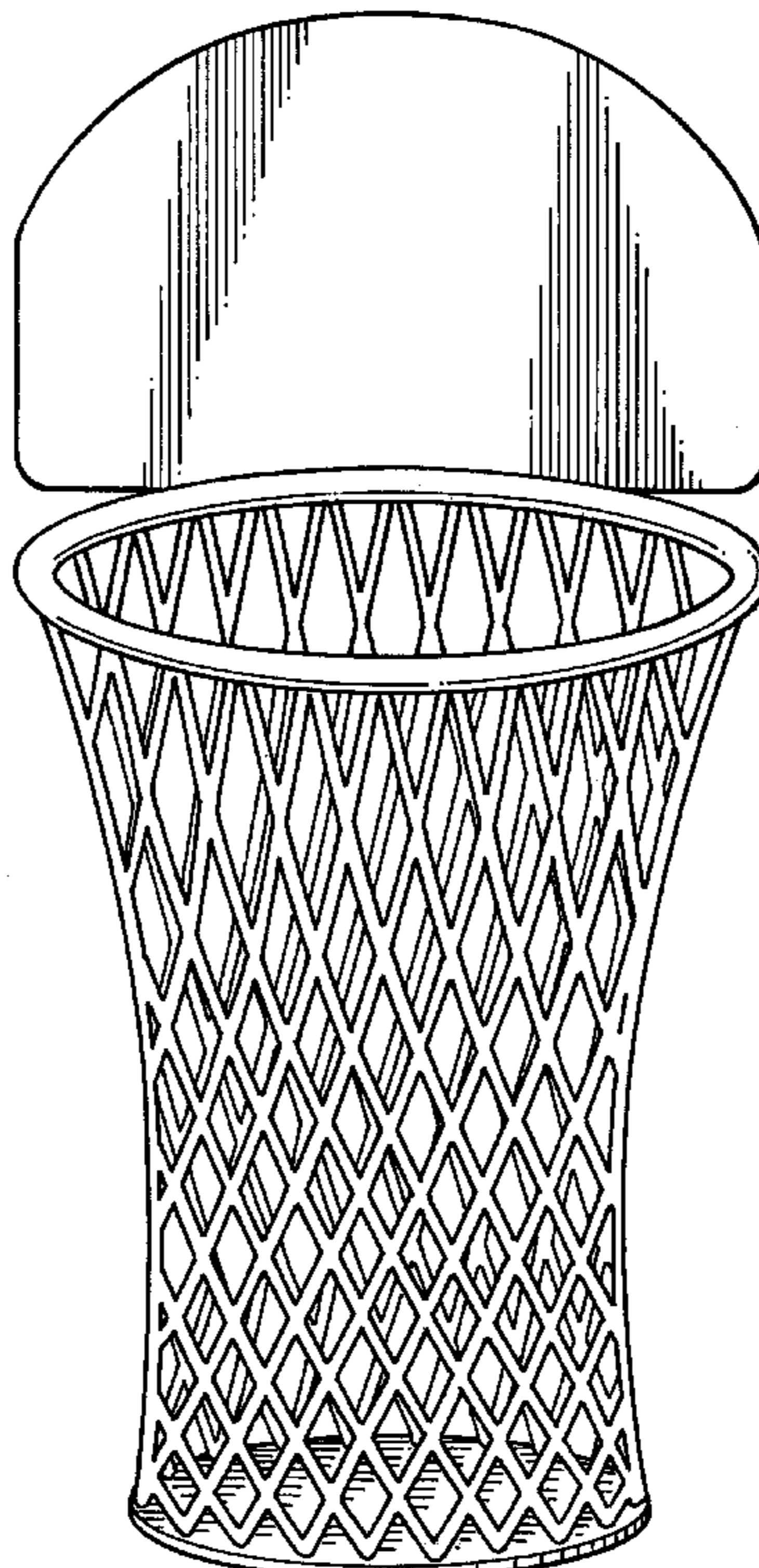
(57) **CLAIM**

The ornamental design for a waste receptacle, as shown and described.

**DESCRIPTION**

FIG. 1 is a front perspective view of a first embodiment of a waste receptacle;  
 FIG. 2 is a right side elevation of the waste receptacle of FIG. 1, the left side elevation (not shown) being a mirror image thereof;  
 FIG. 3 is a top plan view of the waste receptacle of FIG. 1;  
 FIG. 4 is a bottom plan view of the waste receptacle of FIG. 1;  
 FIG. 5 is a front perspective view of a second embodiment of a waste receptacle;  
 FIG. 6 is a right side elevation view of the waste receptacle of FIG. 5, the left side elevation (not shown) being a mirror image thereof;  
 FIG. 7 is a top plan view of the waste receptacle of FIG. 5; and,  
 FIG. 8 is a bottom plan view of the waste receptacle of FIG. 5.  
 The netting is partially shown in FIGS. 3, 4, 7 and 8 for convenience of illustration.

**1 Claim, 6 Drawing Sheets**



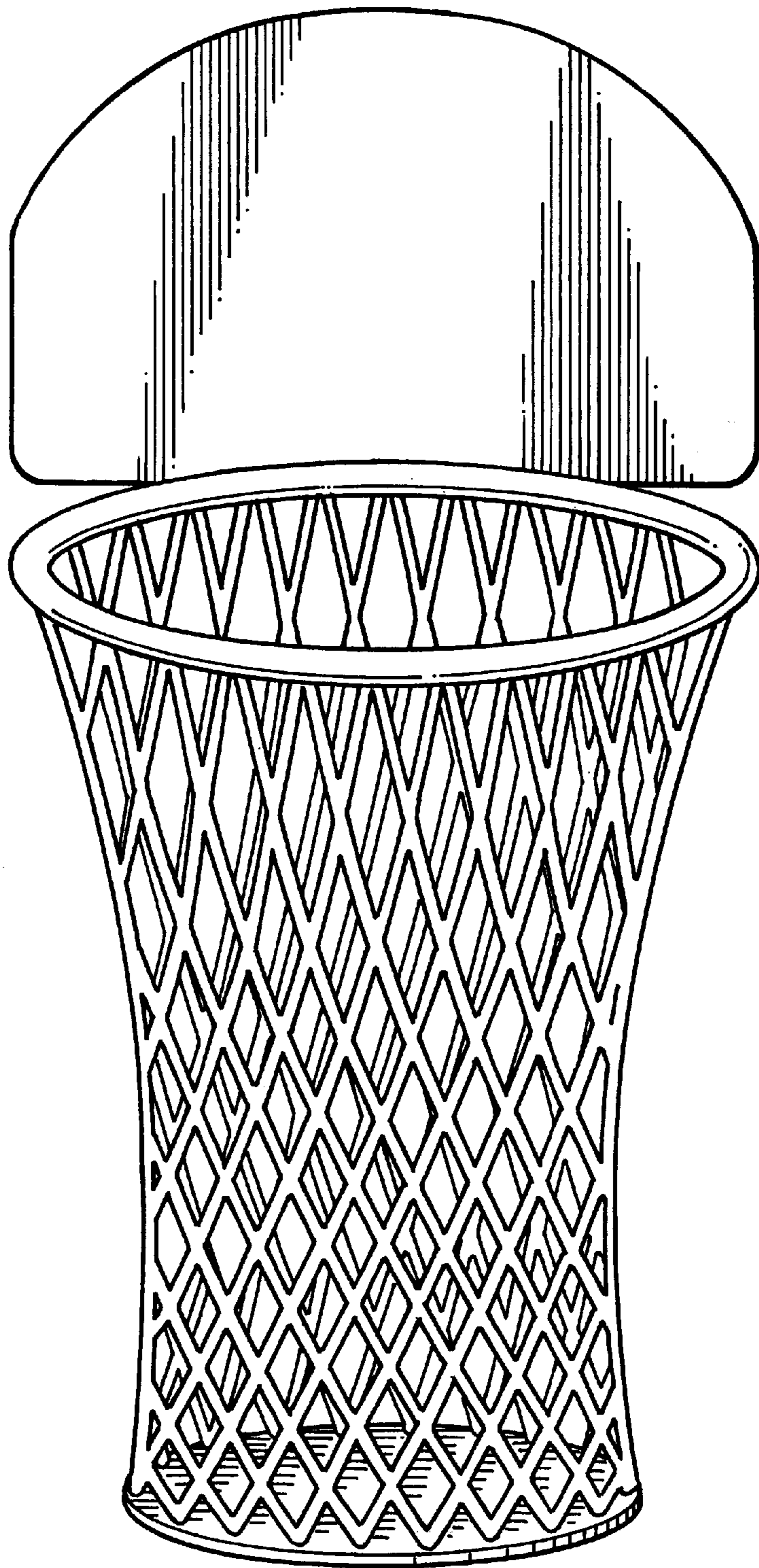


FIG. 1

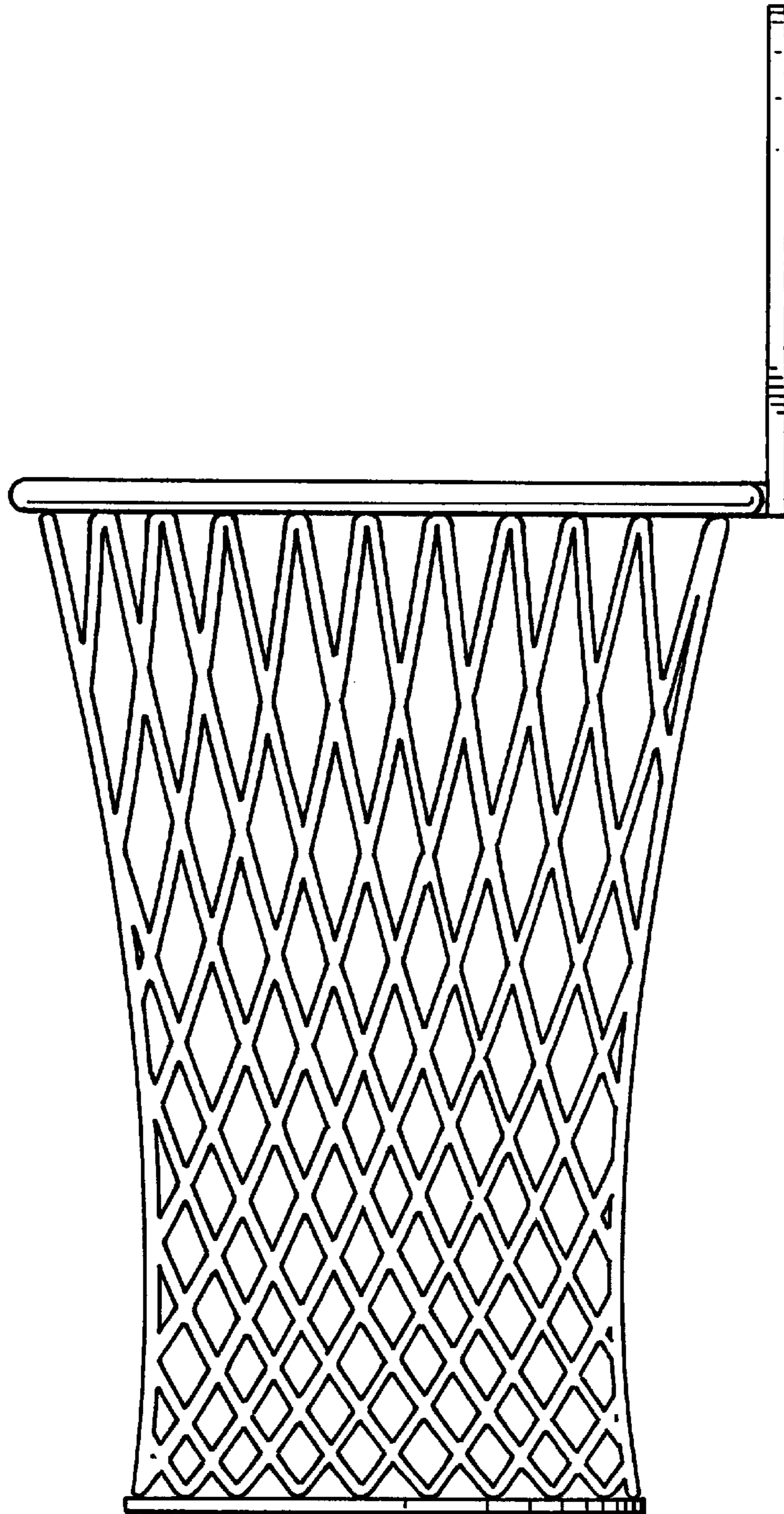


FIG. 2

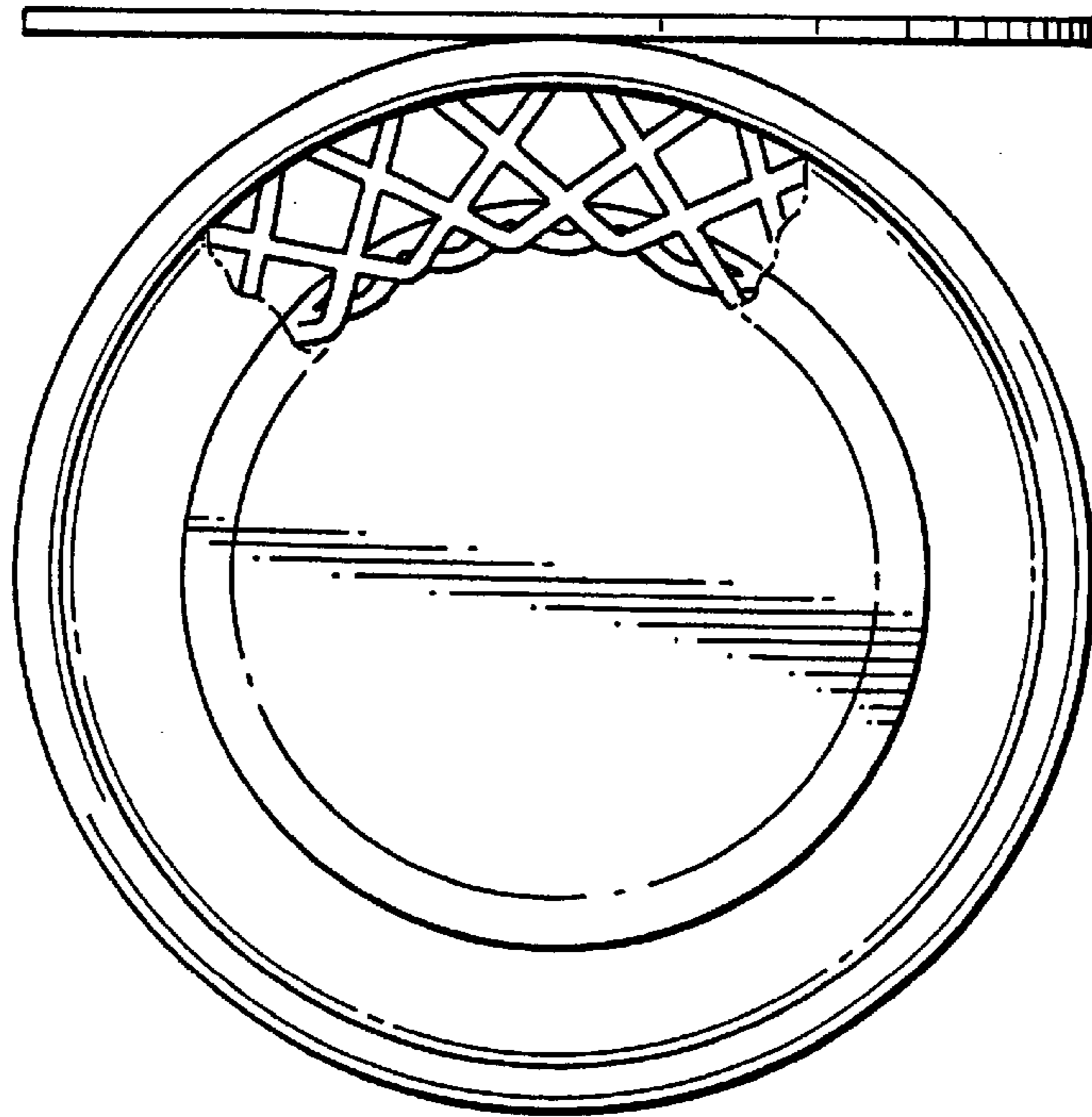


FIG. 3

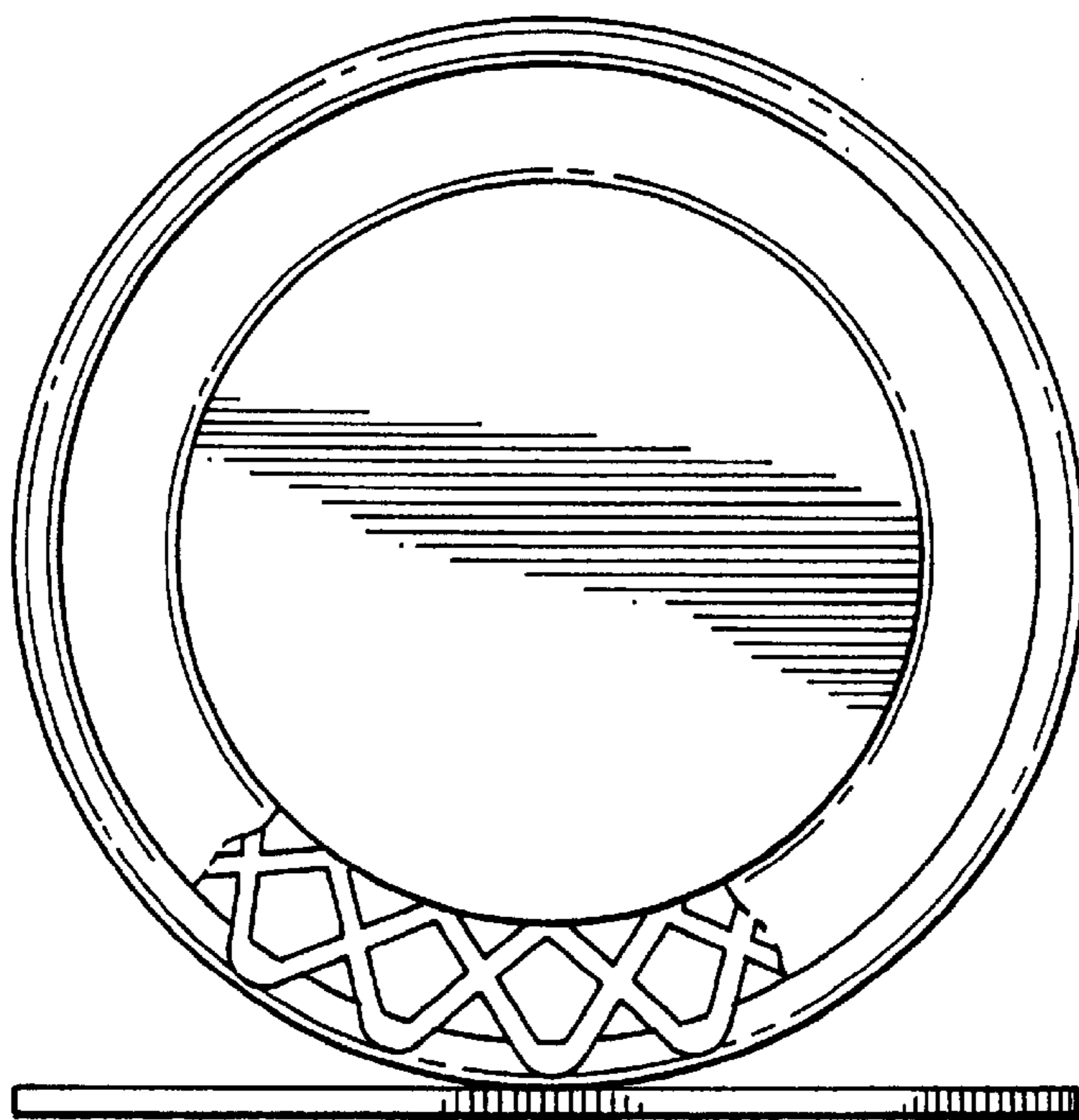


FIG. 4

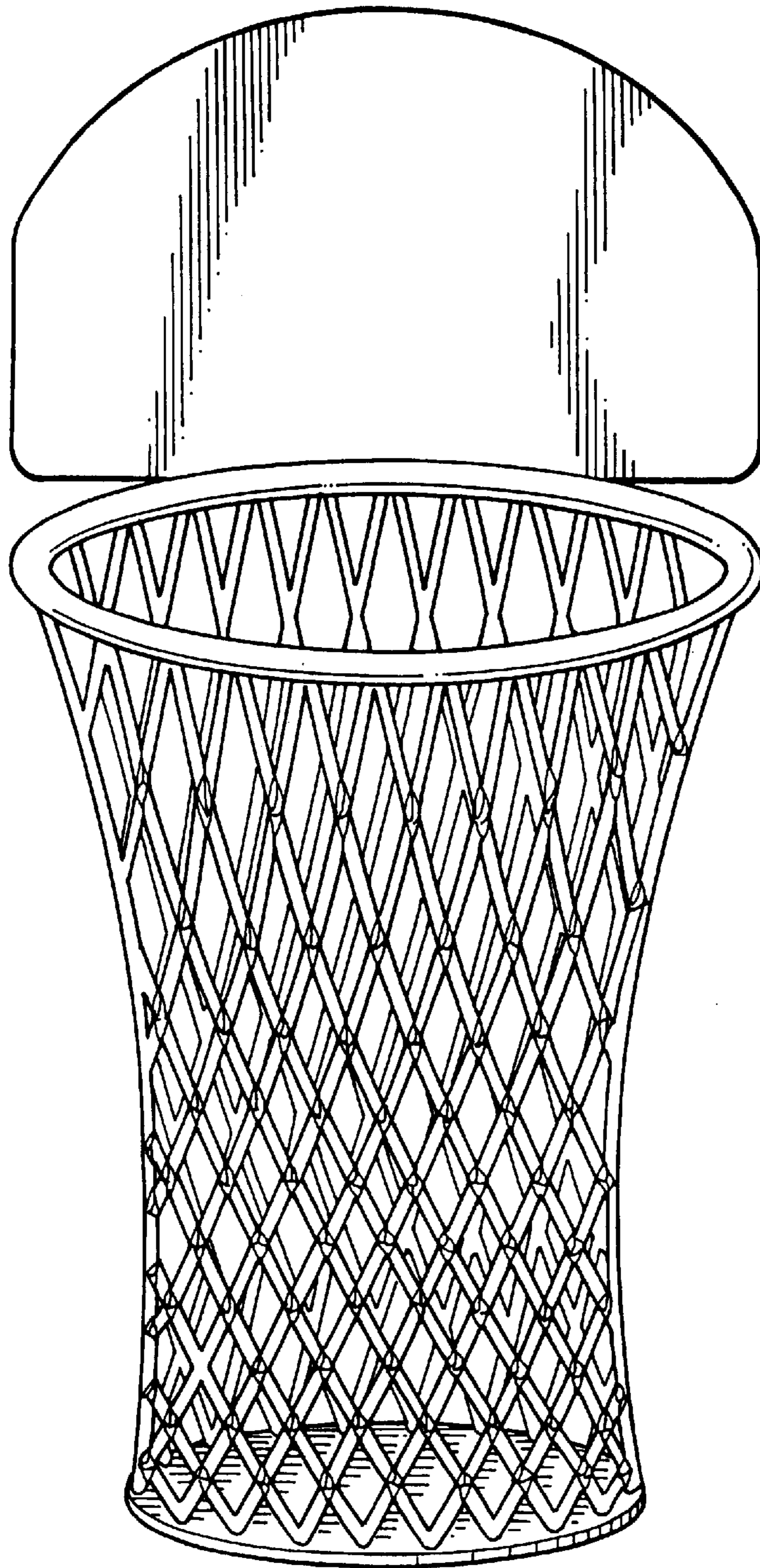


FIG. 5

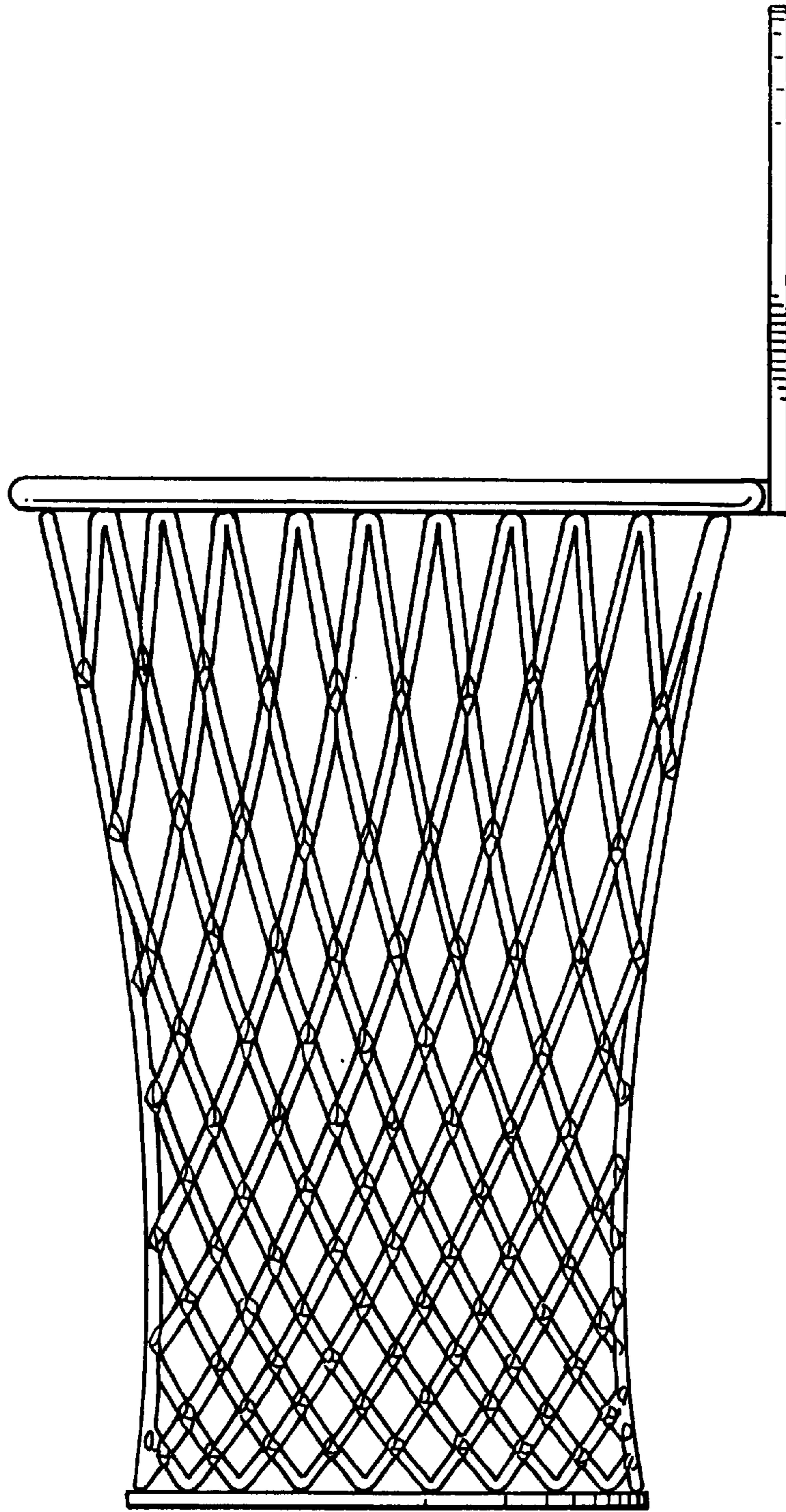


FIG. 6

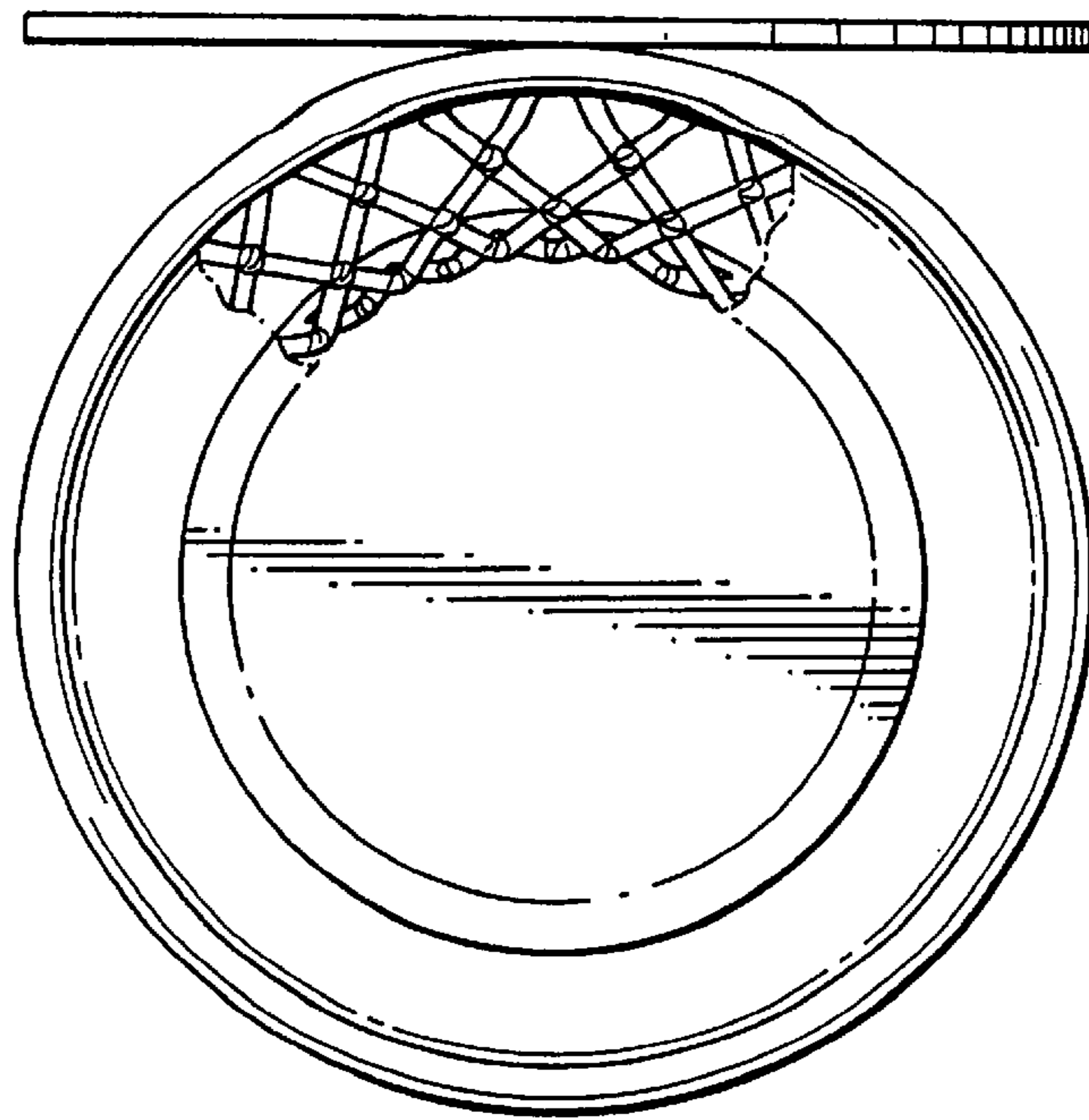


FIG. 7

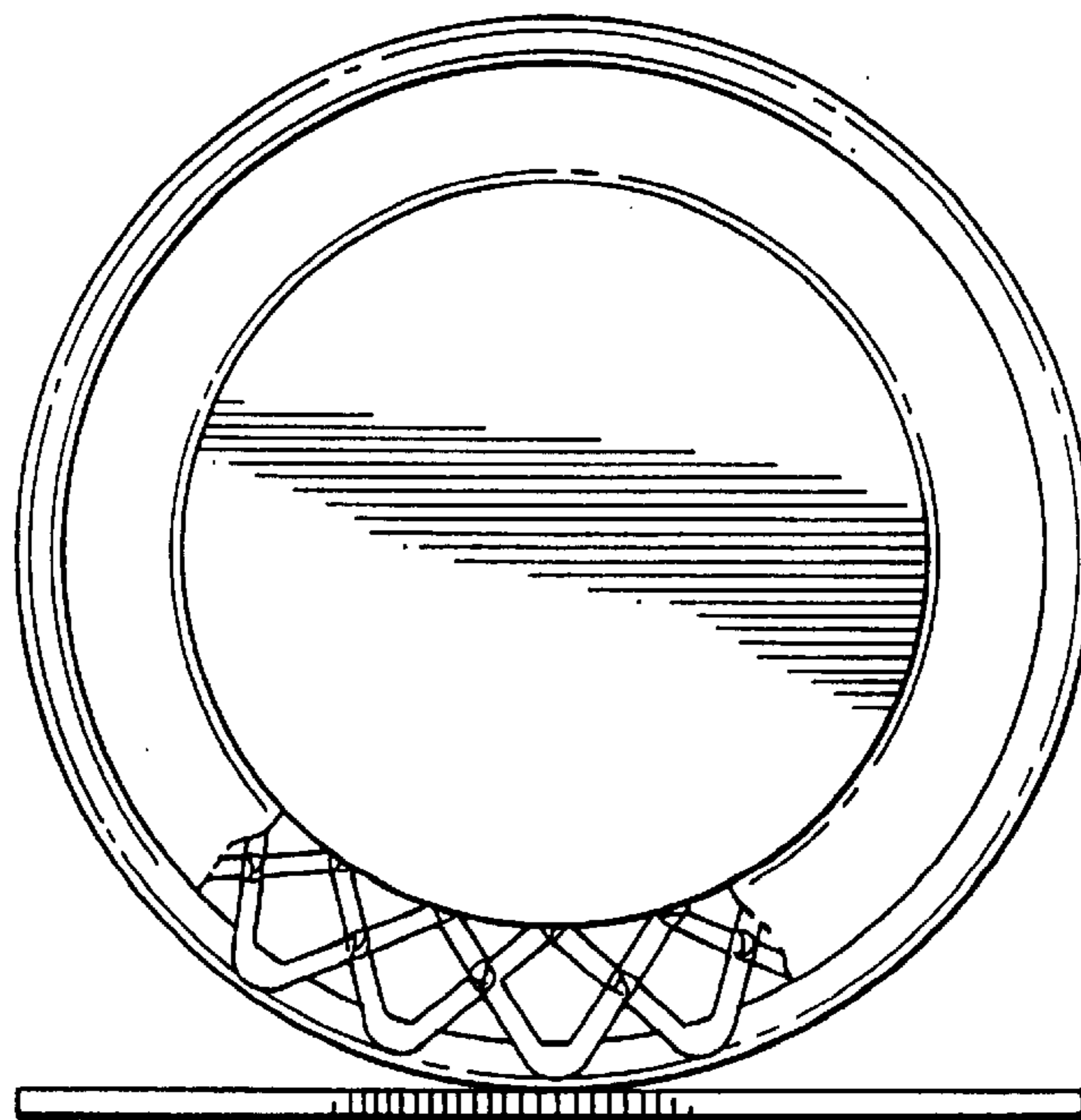


FIG. 8