



US00D475493S

(12) **United States Design Patent**  
**Barsamian**

(10) **Patent No.:** **US D475,493 S**

(45) **Date of Patent:** **\*\* Jun. 3, 2003**

(54) **ERGONOMIC APPLICATOR/SCRUBBER DEVICE**

(76) Inventor: **Aram Barsamian**, 2686 Damien Ave.,  
La Verne, CA (US) 91750

(\*\*) Term: **14 Years**

(21) Appl. No.: **29/150,976**

(22) Filed: **Oct. 31, 2001**

(51) **LOC (7) Cl.** ..... **04-01**

(52) **U.S. Cl.** ..... **D32/52; D4/138**

(58) **Field of Search** ..... **D4/130, 137-138;**  
**D28/63; D32/40, 45, 52; 15/208, 209.1,**  
**210.1, 210.5, 229.11, 229.13, 230.16, 244.1,**  
**244.4; 451/527, 528**

(56) **References Cited**

**U.S. PATENT DOCUMENTS**

D220,074 S	*	3/1971	Morris	.....	D4/137
D286,696 S	*	11/1986	Gatarz et al.	.....	D32/45
4,627,129 A	*	12/1986	Wittes	.....	15/244.4
D291,258 S	*	8/1987	Greer, Sr.	.....	D32/40
RE35,021 E	*	8/1995	Englund et al.	.....	15/230.16
D394,958 S	*	6/1998	Polzin et al.	.....	D4/137
5,857,411 A	*	1/1999	Carsel	.....	15/244.1 X

**OTHER PUBLICATIONS**

NicSand® Wax, FFA-400 4-Finger Foam Wax Applicator;  
prior to Oct. 31, 2001, three photographic views.

Viking® Car Cleaning System, Heavy Duty Foam Applica-  
tor Pad; 2000, four photographic views.

Bullet® AS-390 P-1338; prior to Oct. 31 2001, container  
and/or applicator, five photographic views.

\* cited by examiner

*Primary Examiner*—Alan P. Douglas

*Assistant Examiner*—Lavone D. Tabor

(74) *Attorney, Agent, or Firm*—Knobbe, Martens, Olson &  
Bear, LLP

(57) **CLAIM**

The ornamental design for an ergonomic applicator/scrubber  
device, as shown and described.

**DESCRIPTION**

FIG. 1 is a top front perspective view of the ergonomic  
applicator/scrubber device according to the present inven-  
tion;

FIG. 2 is a top plan view of the ergonomic applicator/  
scrubber device of FIG. 1;

FIG. 3 is a bottom plan view of the ergonomic applicator/  
scrubber device of FIG. 1;

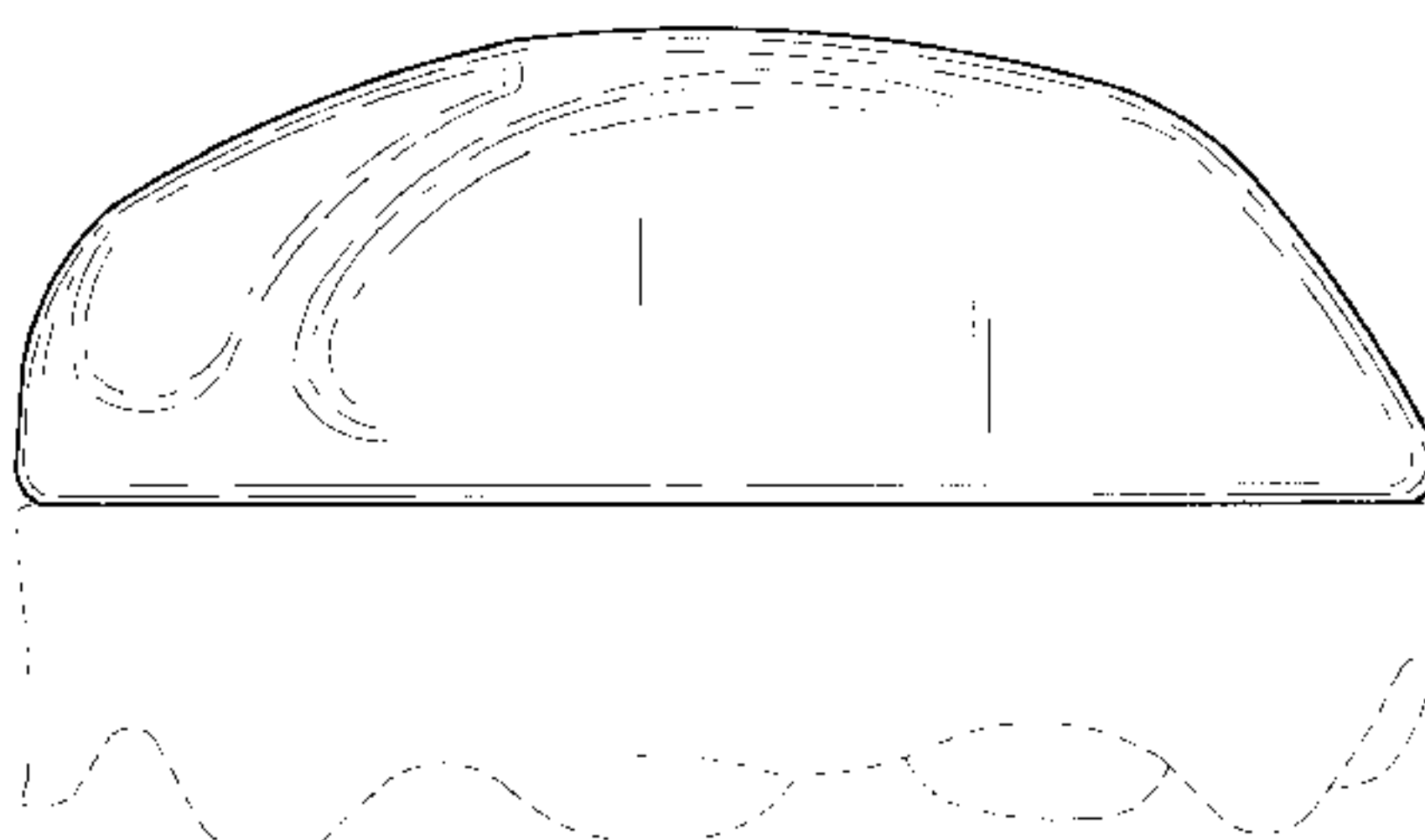
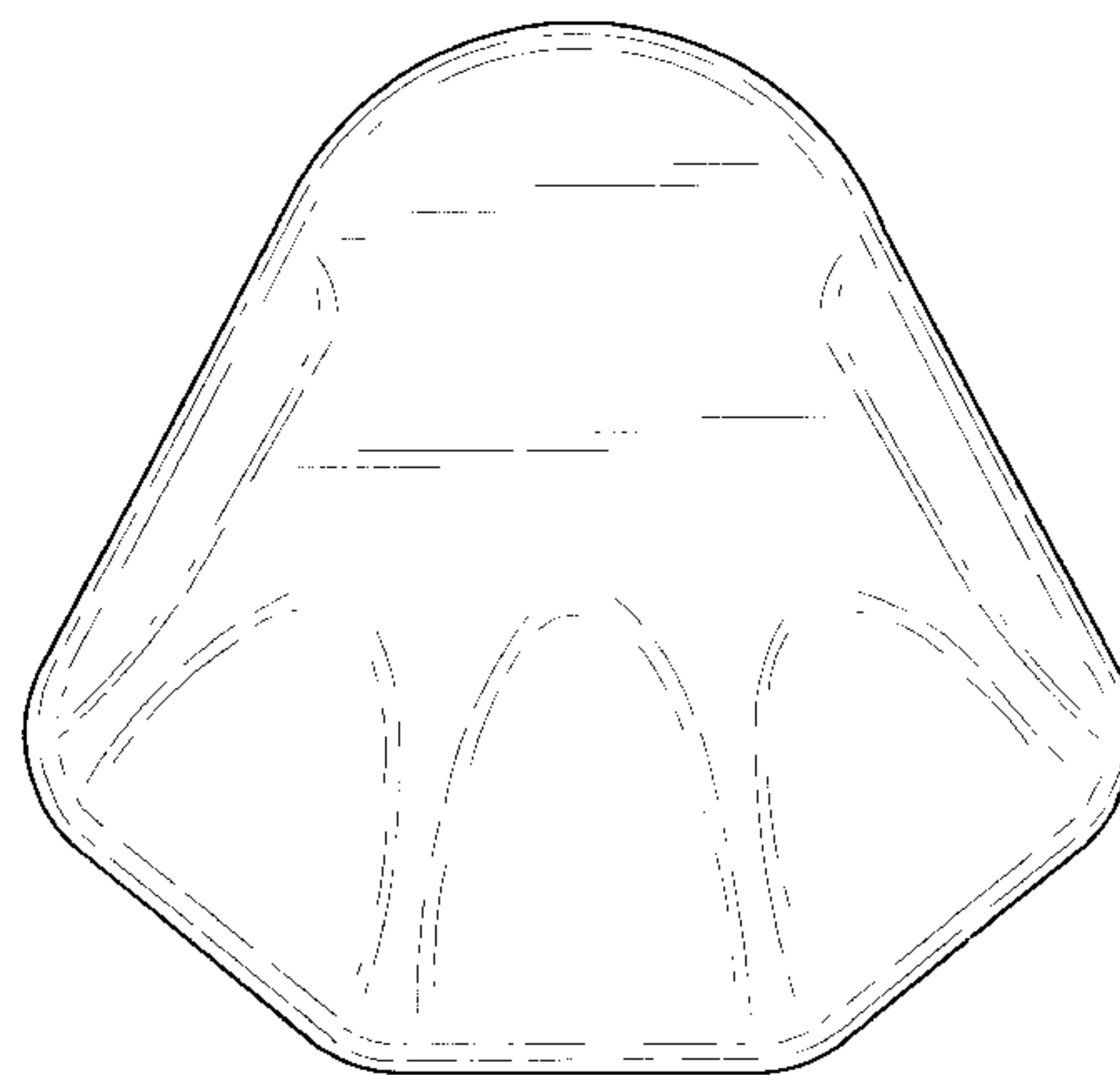
FIG. 4 is a right-side elevational view of the ergonomic  
applicator/scrubber device of FIG. 1, the left-side eleva-  
tional view being a mirror image thereof;

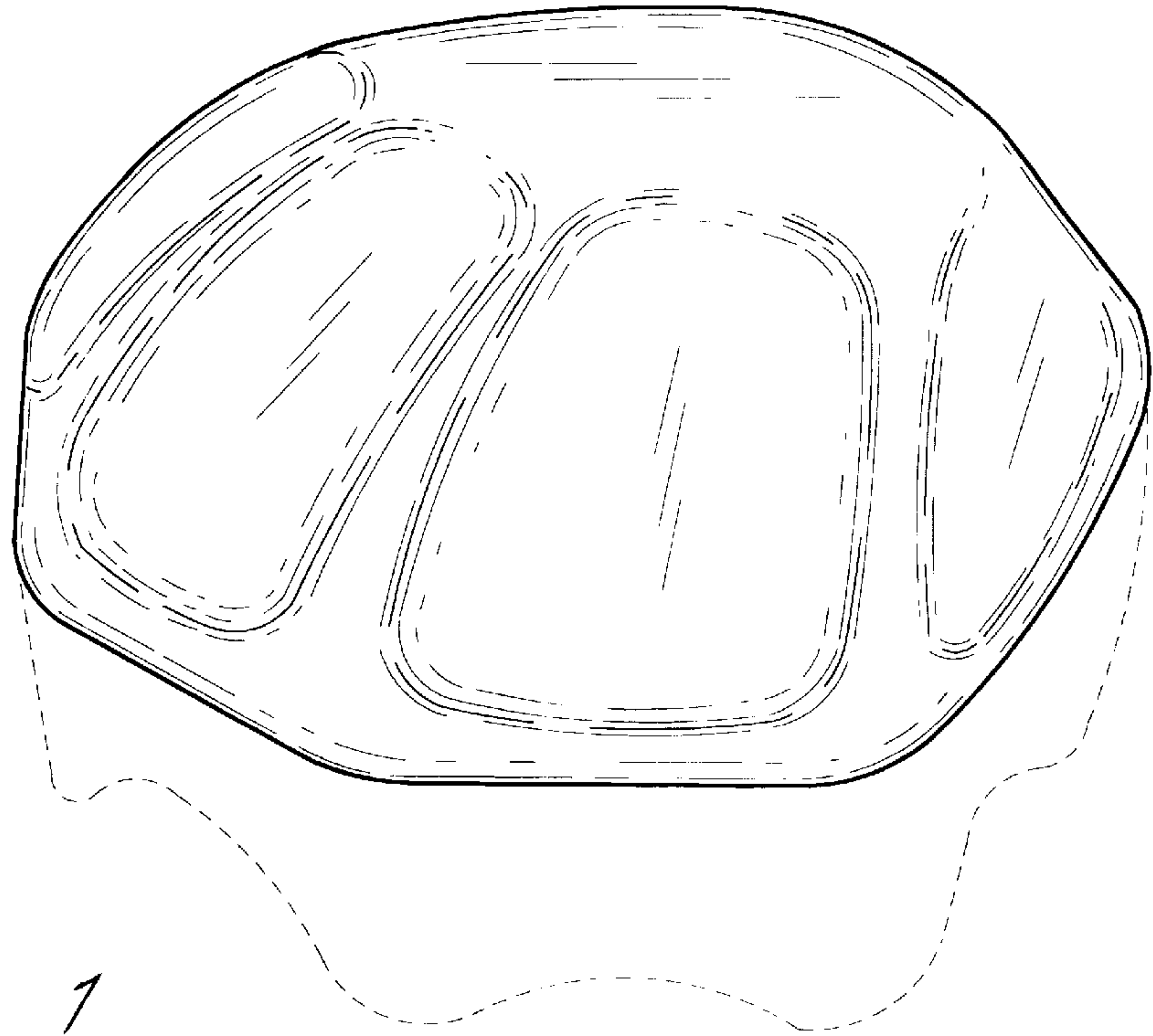
FIG. 5 is a front elevational view of the ergonomic appli-  
cator/scrubber device of FIG. 1; and,

FIG. 6 is a rear elevational view of the ergonomic applicator/  
scrubber device of FIG. 1.

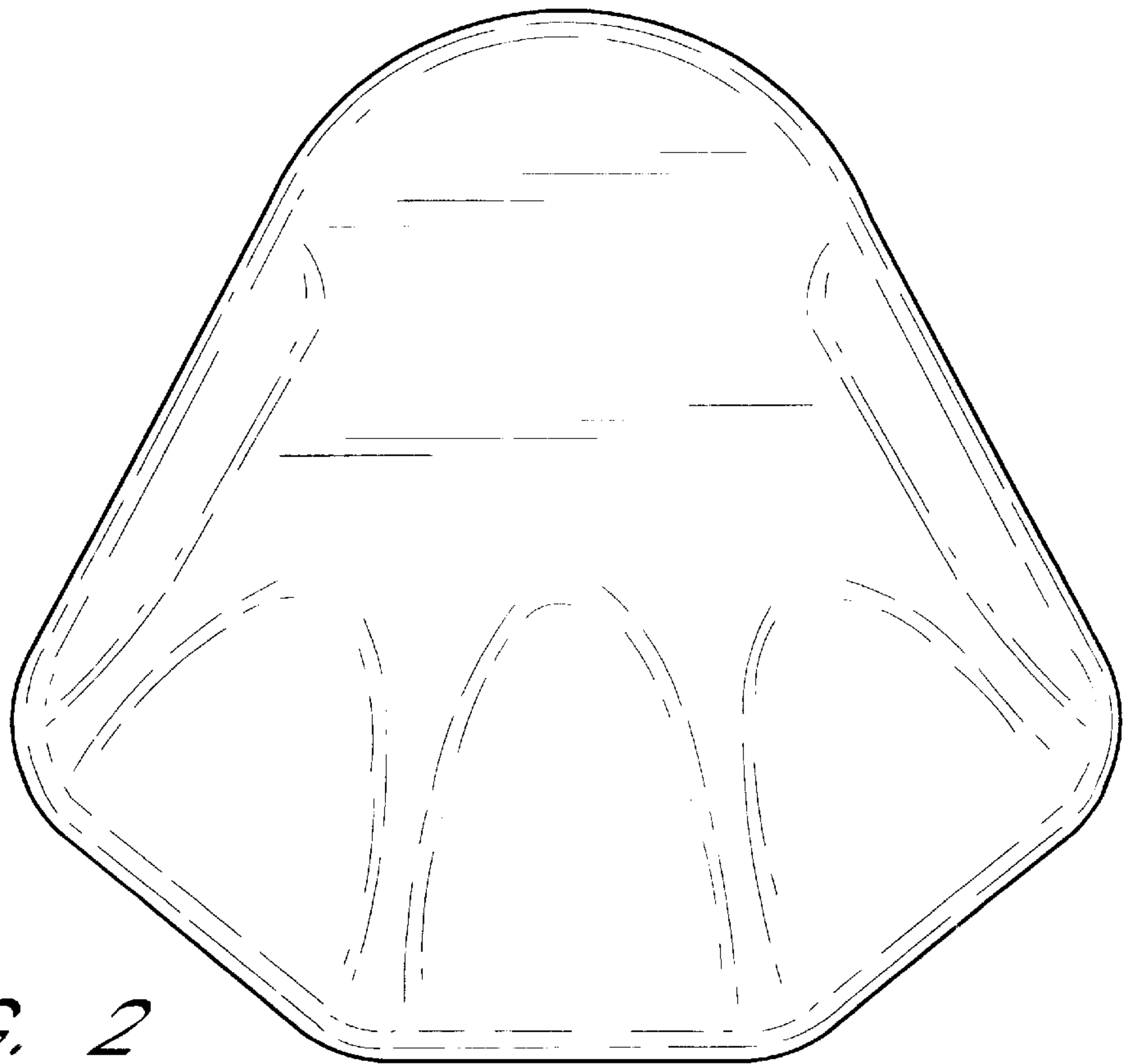
The structure shown in broken lines in FIGS. 1 and 4-6 is  
for illustrative purposes only and forms no part of the  
claimed design.

**1 Claim, 3 Drawing Sheets**

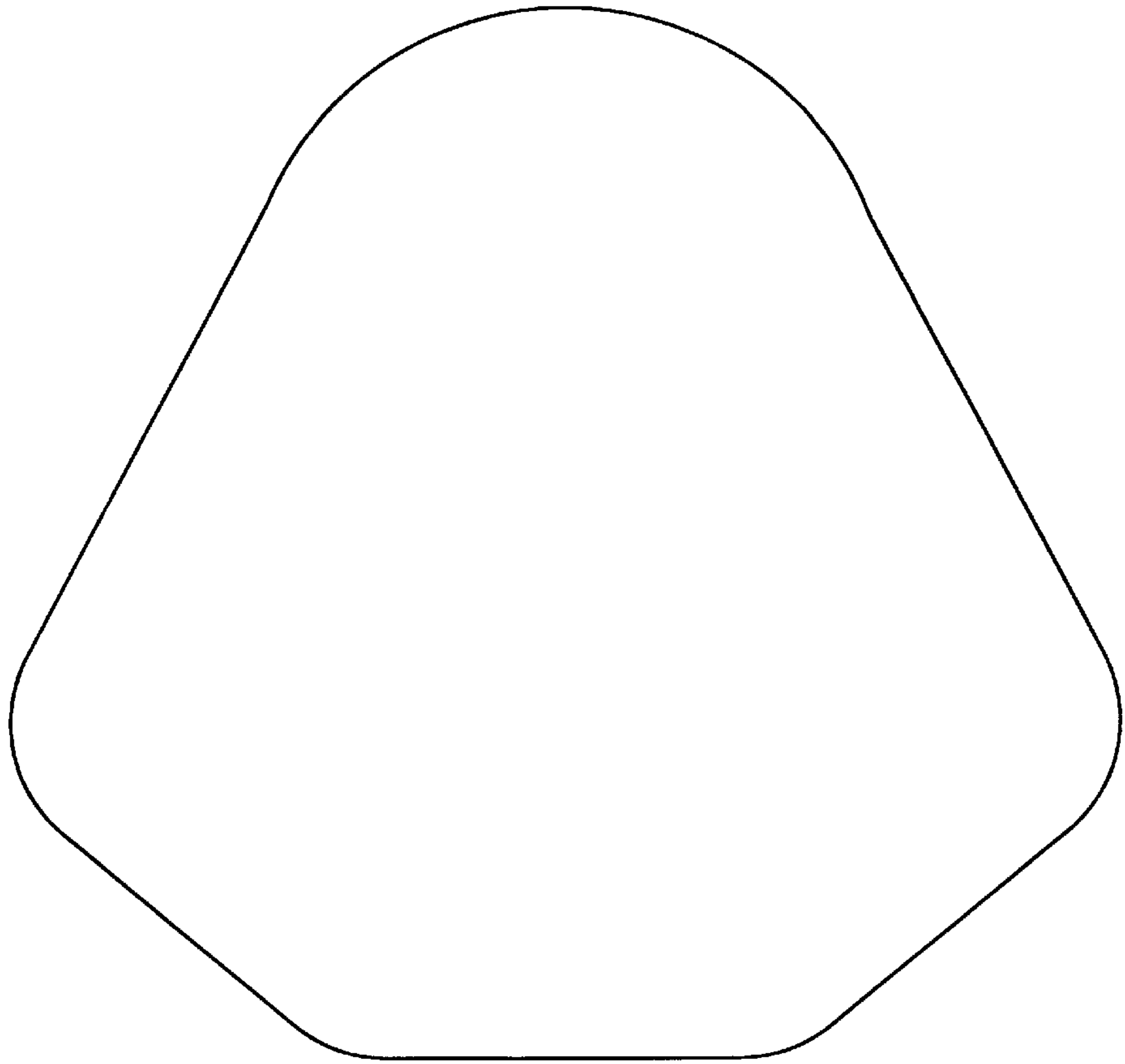




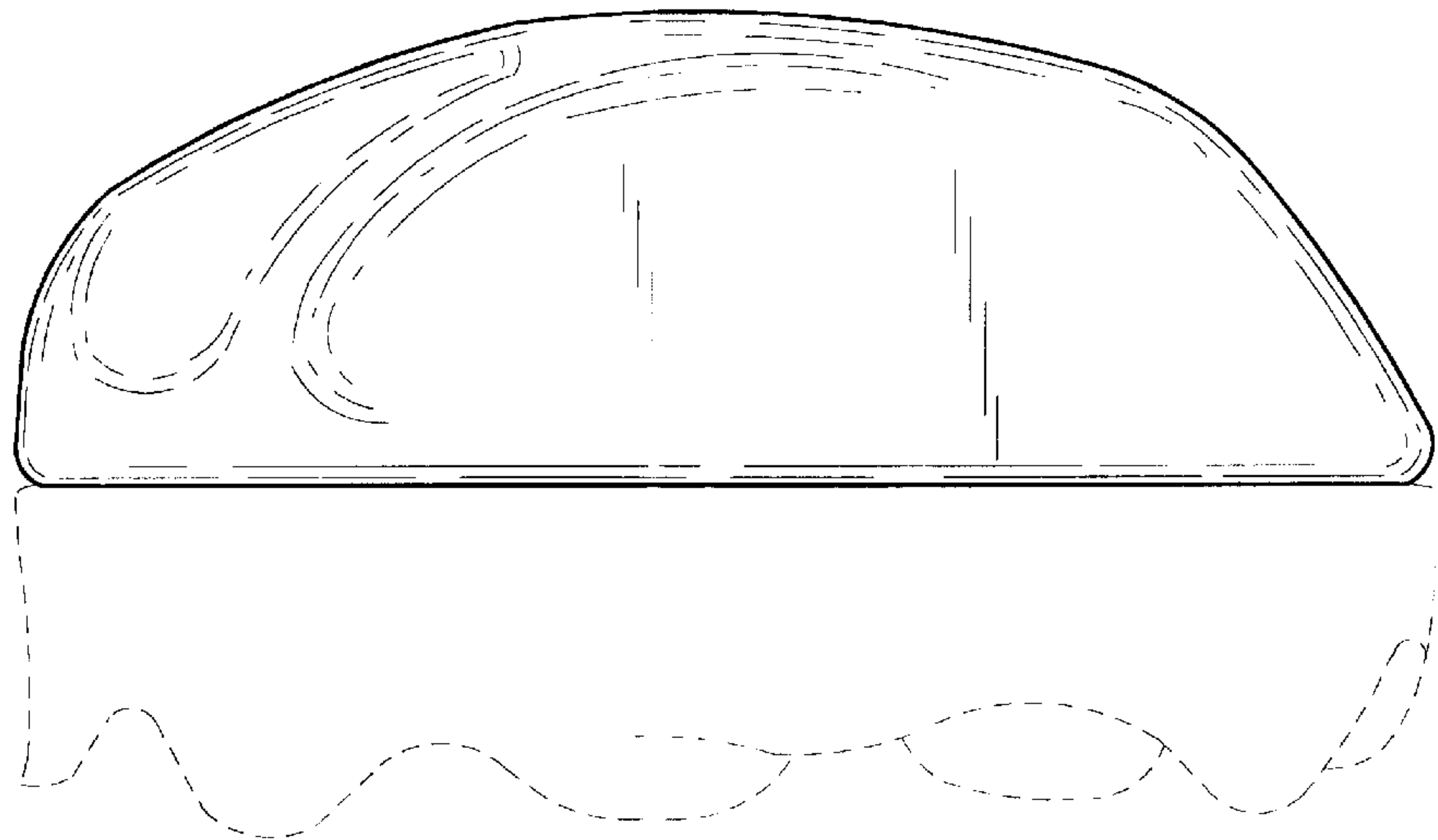
*FIG. 1*



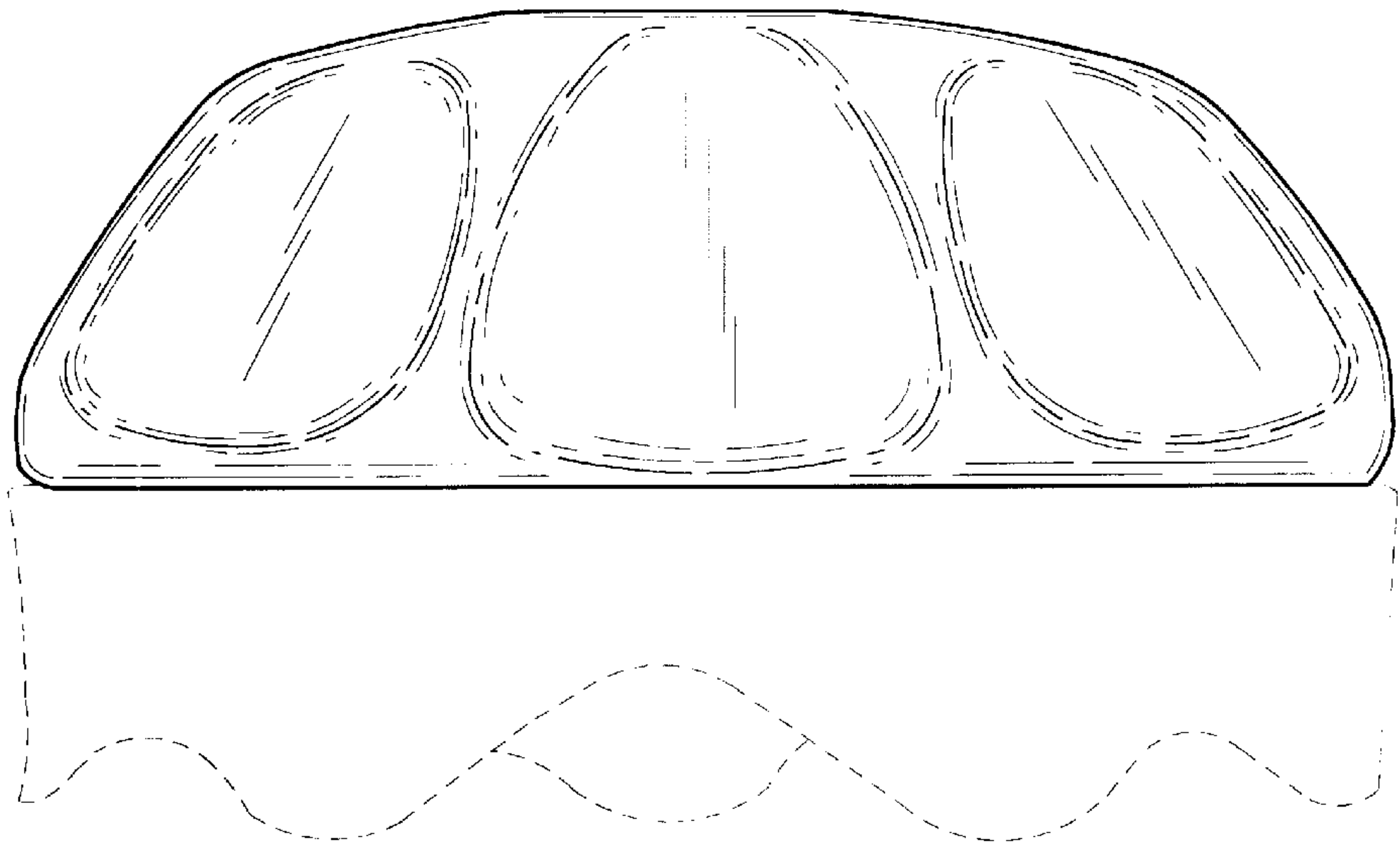
*FIG. 2*



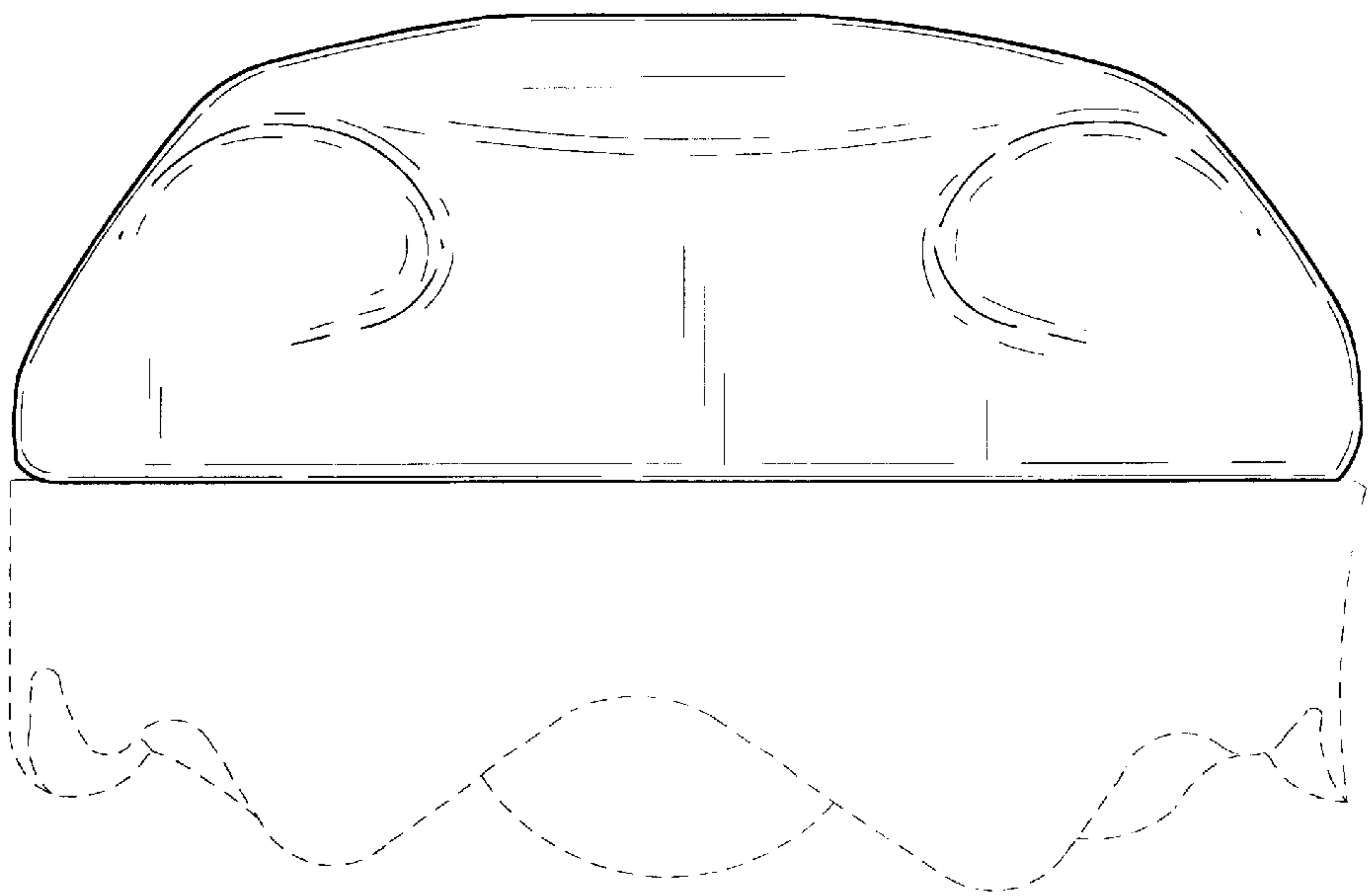
*FIG. 3*



*FIG. 4*



*FIG. 5*



*FIG. 6*