



US00D475491S

(12) **United States Design Patent**
Kalman et al.

(10) **Patent No.:** **US D475,491 S**

(45) **Date of Patent:** **** Jun. 3, 2003**

(54) **DUST CUP FOR VACUUM CLEANER**

D457,695 S * 5/2002 Stephens D32/31
D460,229 S * 7/2002 Zahuranec et al. D32/31
D462,489 S * 9/2002 Roberts et al. D32/31

(75) Inventors: **Jeffrey M. Kalman**, Cleveland Heights, OH (US); **David J. Boll**, Avon, OH (US); **Nicholas E. Stanca**, Westlake, OH (US)

* cited by examiner

(73) Assignee: **Royal Appliance Mfg. Co.**, Glenwillow, OH (US)

Primary Examiner—Ruth McInroy
(74) *Attorney, Agent, or Firm*—Fay, Sharpe, Fagan, Minnich & McKee, LLP

(**) Term: **14 Years**

(57) **CLAIM**

(21) Appl. No.: **29/153,799**

The design for a dust cup for vacuum cleaner, as shown and described.

(22) Filed: **Jan. 11, 2002**

DESCRIPTION

(51) **LOC (7) Cl.** **15-05**

(52) **U.S. Cl.** **D32/31**

(58) **Field of Search** D32/21–22, 31–34, D32/25; 15/347, 350–353, 320–322, 361, 377, 415.1–422.1, 410, 383, 329

FIG. 1 is a dust cup for vacuum cleaner showing our new design on a stick-type vacuum cleaner; FIG. 2 is an enlarged perspective view of the dust cup alone; FIG. 3 is a front elevational view thereof; FIG. 4 is a rear elevational view thereof; FIG. 5 is a left side elevational view thereof; FIG. 6 is a right side elevational view thereof; FIG. 7 is a top plan view thereof; FIG. 8 is a bottom plan view thereof; and, FIG. 9 is an exploded perspective view thereof.

(56) **References Cited**

U.S. PATENT DOCUMENTS

D190,626 S * 6/1961 Musichuk D32/31
6,073,300 A * 6/2000 Zahuranec et al. 15/320
D433,201 S 10/2000 Wright et al.
D439,381 S * 3/2001 Saunders et al. D32/31
D442,344 S * 5/2001 Alford et al. D32/31

The components illustrated in broken lines in FIGS. 1 and 9 form no part of the claimed design.

1 Claim, 8 Drawing Sheets

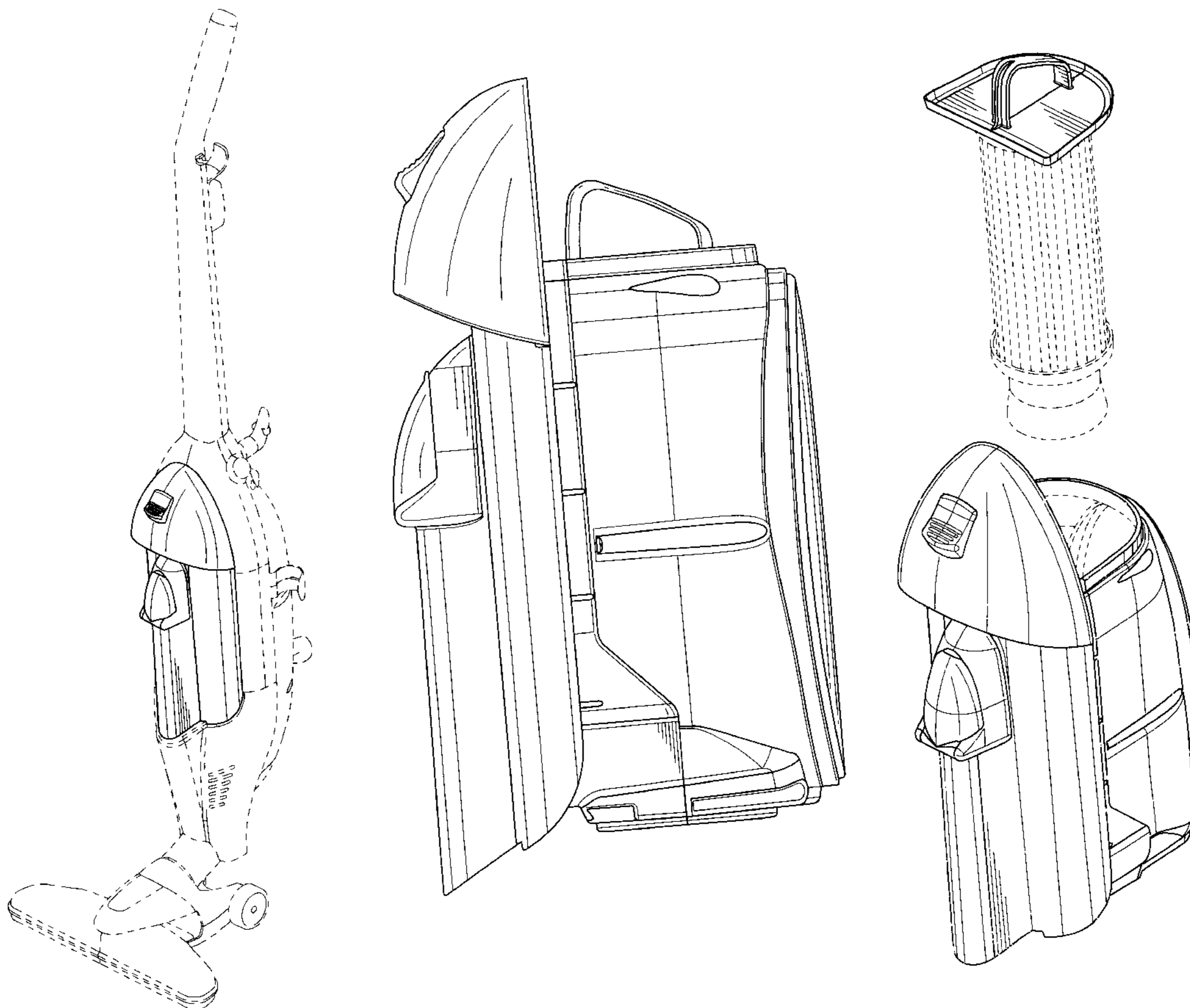
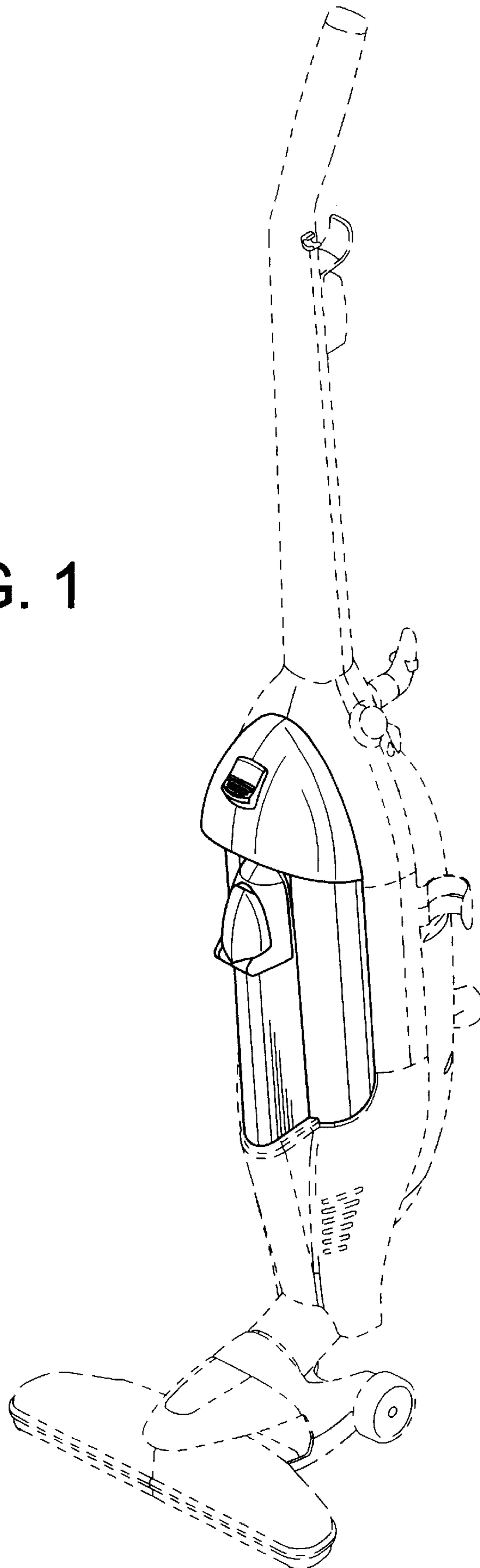


FIG. 1



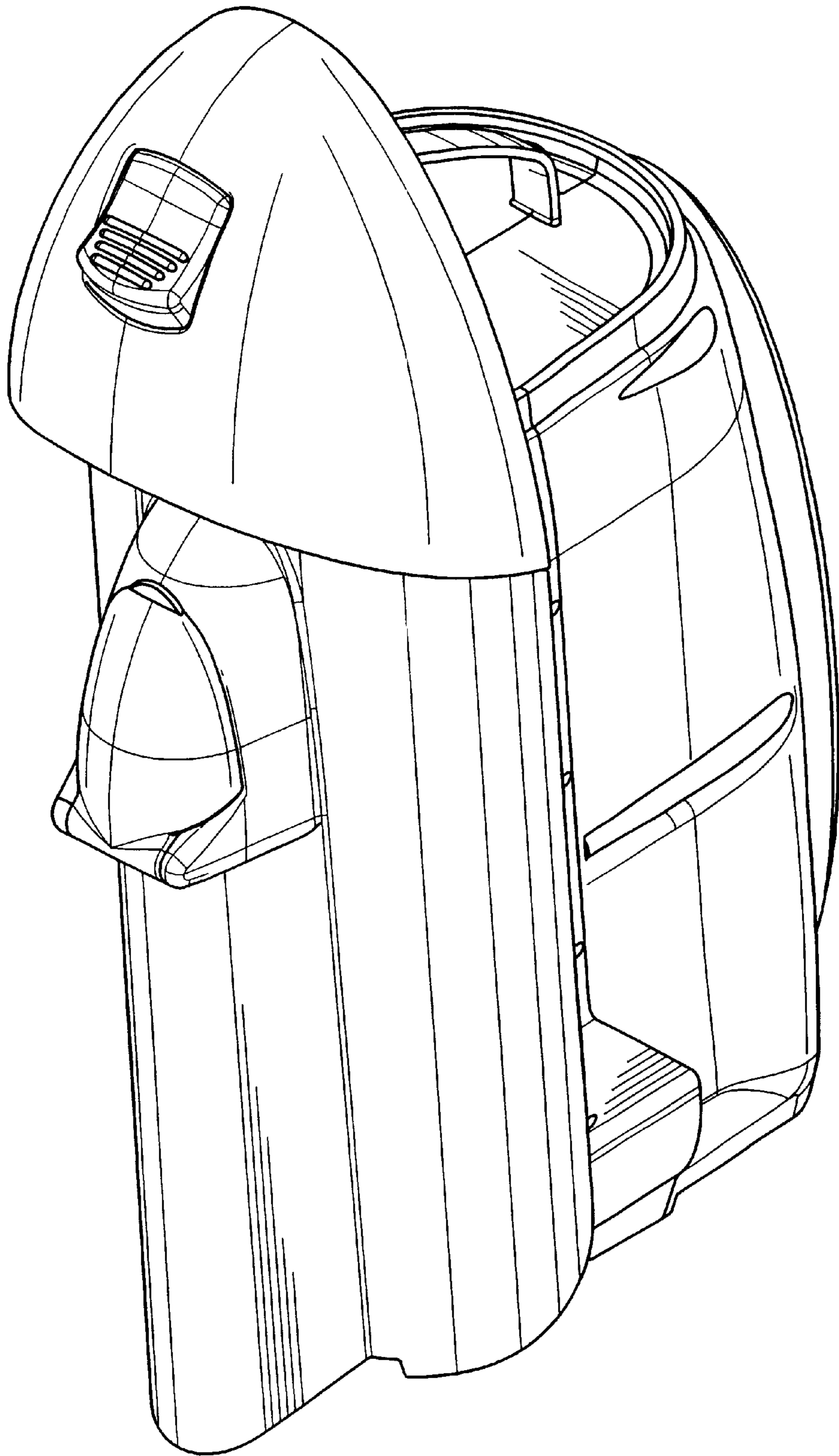


FIG. 2

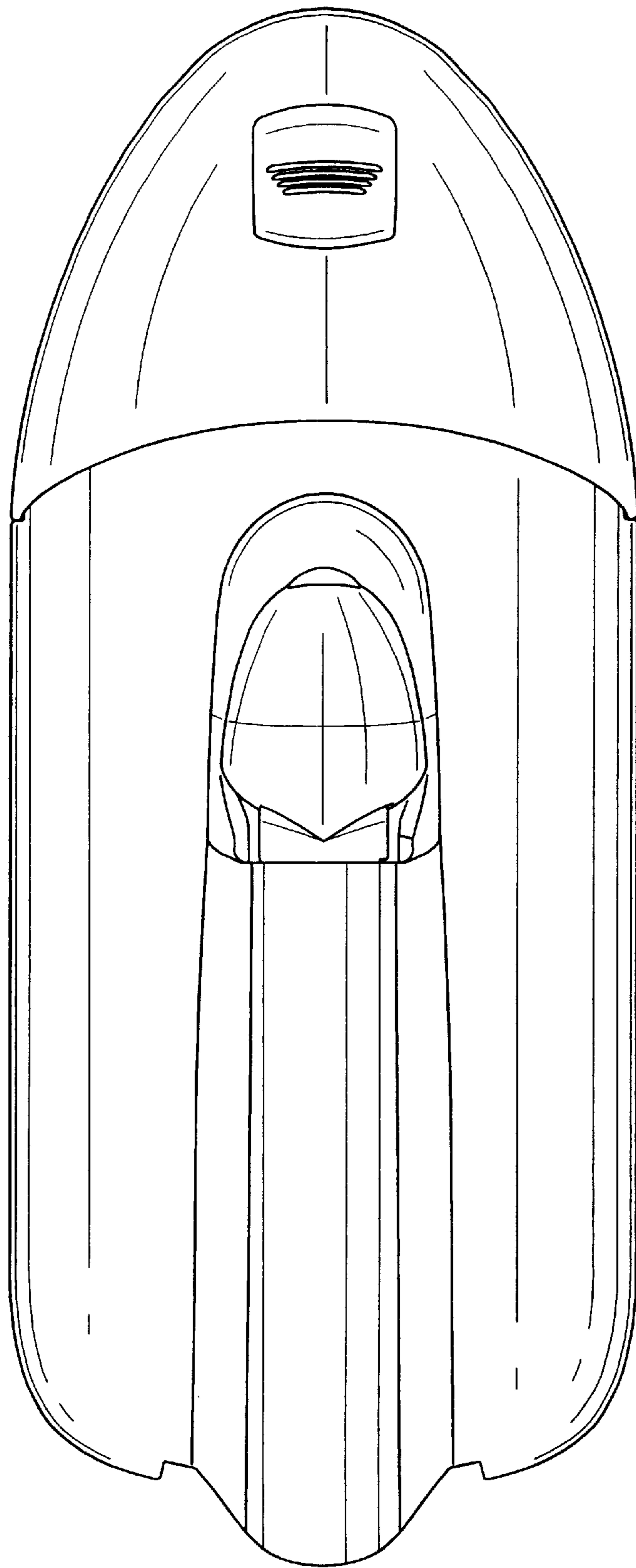


FIG. 3

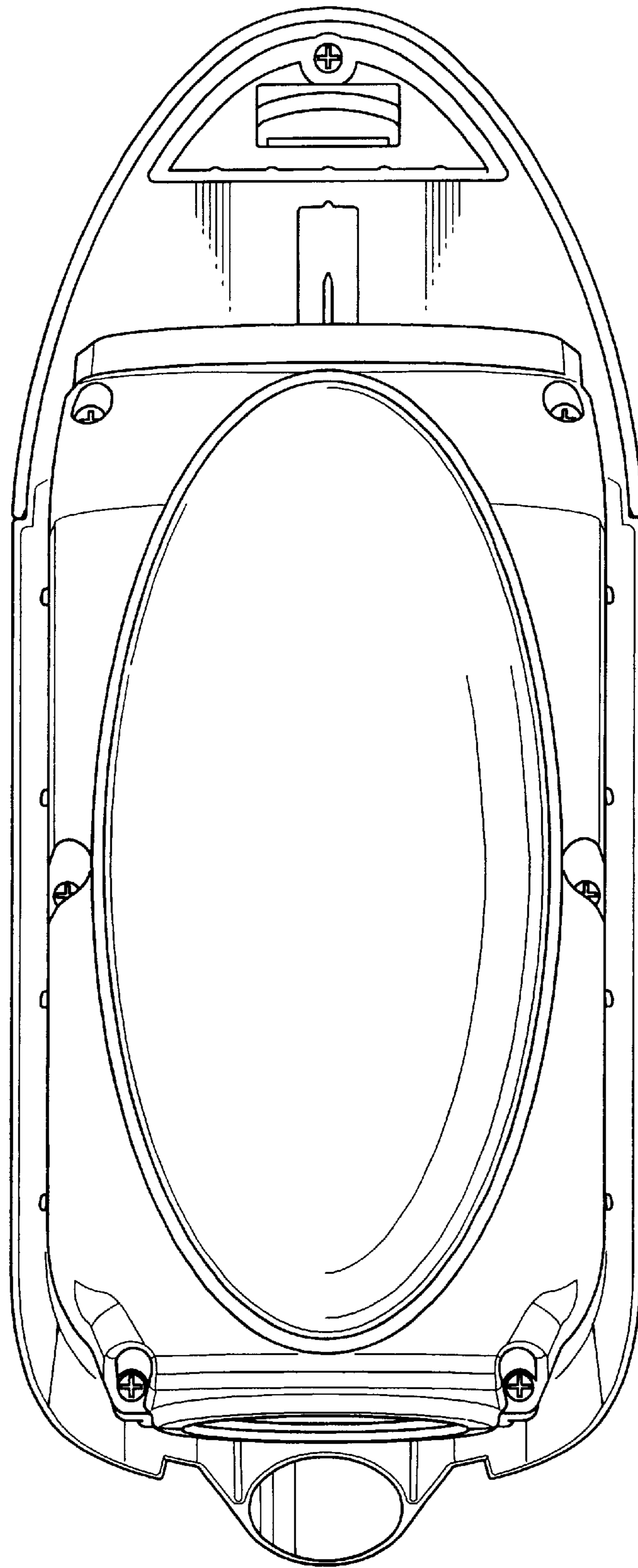


FIG. 4

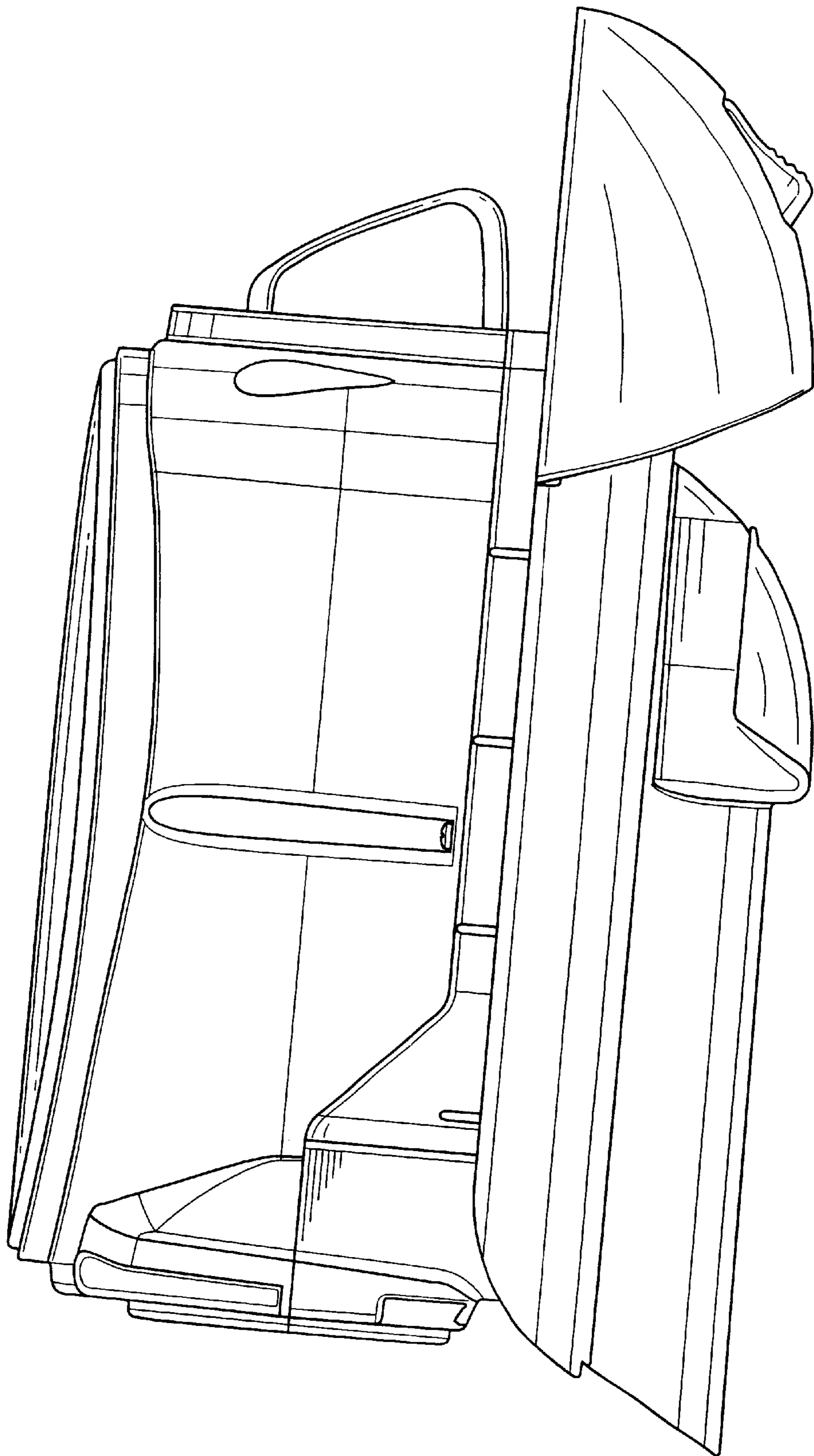


FIG. 5

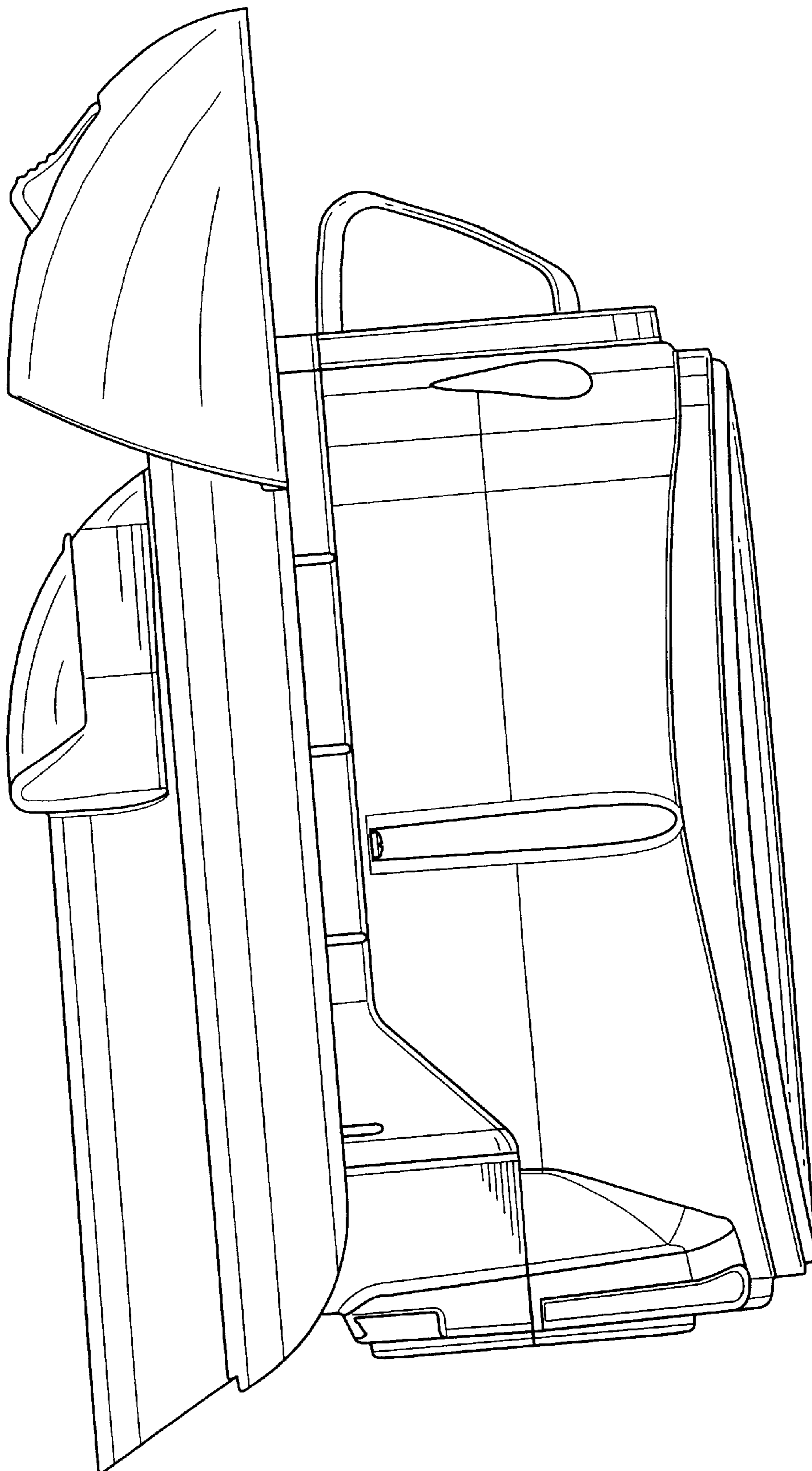


FIG. 6

FIG. 7

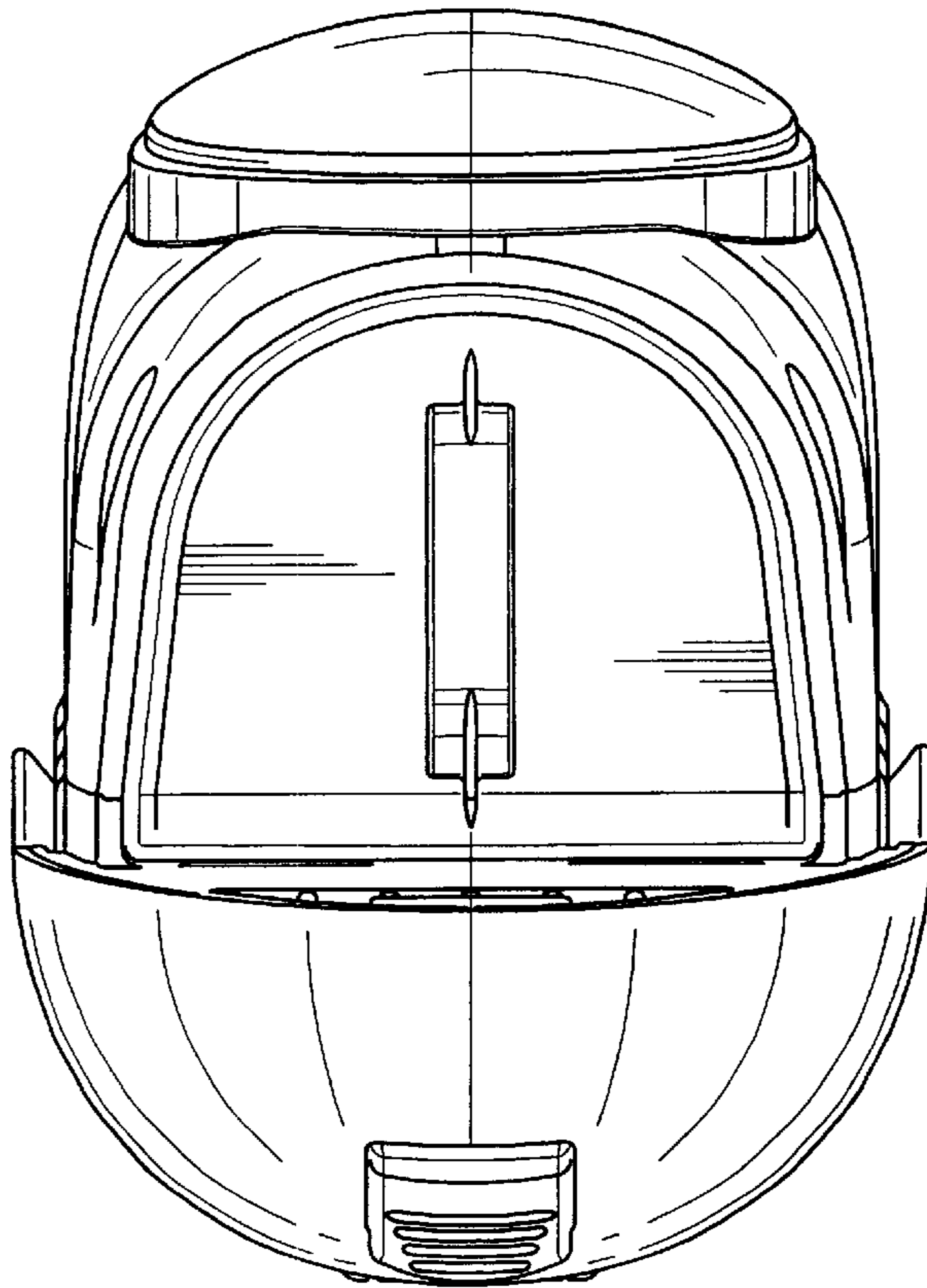


FIG. 8

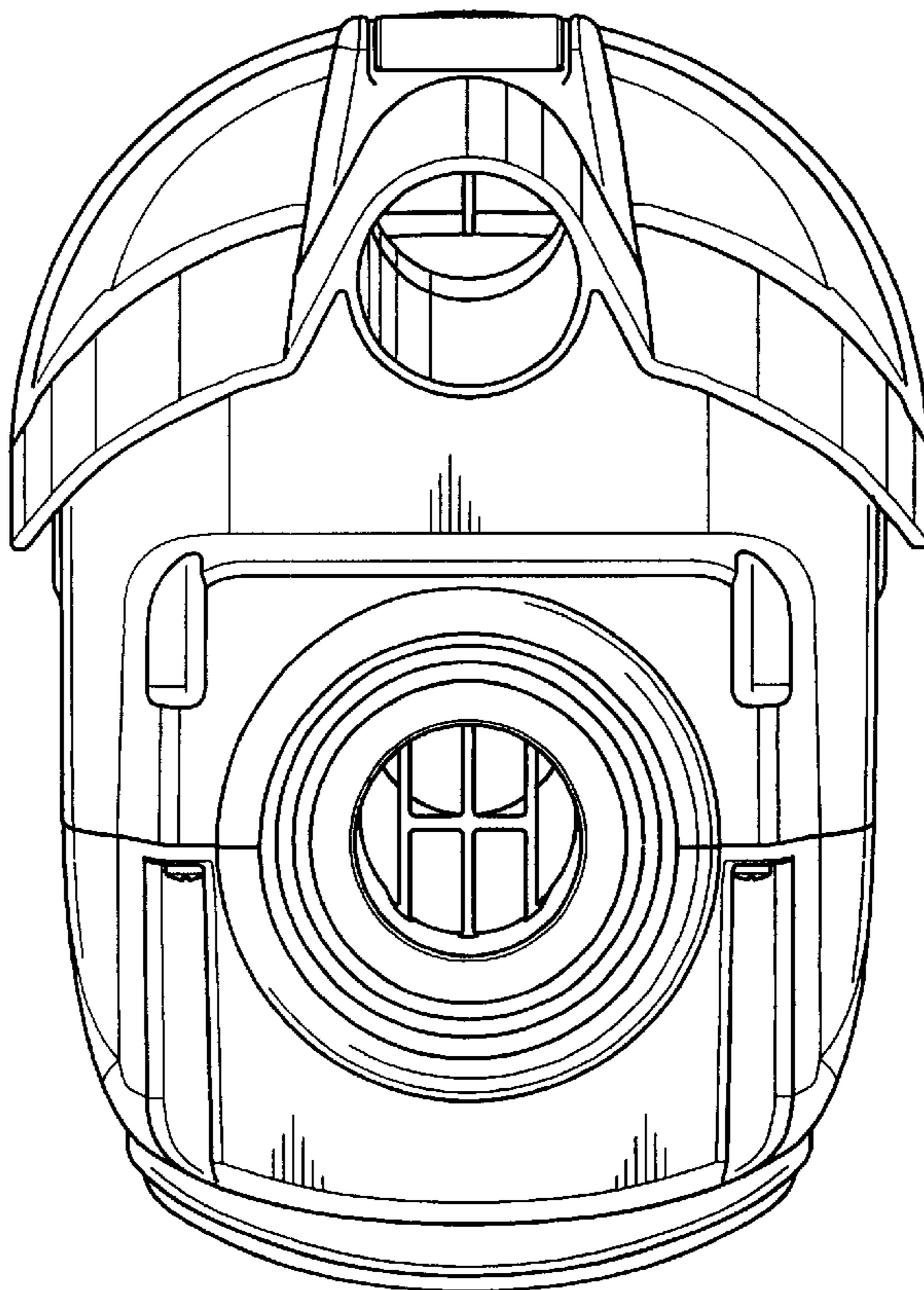


FIG. 9

