



US00D475489S

(12) **United States Design Patent**
McLelland

(10) **Patent No.:** **US D475,489 S**

(45) **Date of Patent:** **** Jun. 3, 2003**

(54) **BUFFING TOOL**

(76) **Inventor:** **George Shane McLelland**, P.O. Box
351, Cedar Glen, CA (US) 92321

(**) **Term:** **14 Years**

(21) **Appl. No.:** **29/165,849**

(22) **Filed:** **Aug. 20, 2002**

(51) **LOC (7) Cl.** **15-05**

(52) **U.S. Cl.** **D32/15; D8/62**

(58) **Field of Search** D8/61, 62, 67,
D8/69, 70; D32/15, 17, 19; 15/97.1, 98;
310/50; 451/244, 344, 351, 353, 354, 355,
356, 357, 358, 359, 451, 453, 456

(56) **References Cited**

U.S. PATENT DOCUMENTS

2,882,597 A	4/1959	Roth	
3,914,905 A	10/1975	Waters	
D330,151 S	* 10/1992	Fisher D8/62
5,172,522 A	12/1992	Jares	

5,301,471 A * 4/1994 Fisher et al. 15/97.1

D354,424 S * 1/1995 Izumisawa D8/62

5,381,578 A 1/1995 Armbruster

6,132,301 A * 10/2000 Kaiser 451/344

D443,397 S * 6/2001 Williams D32/19

* cited by examiner

Primary Examiner—Doris V. Coles

Assistant Examiner—Elizabeth Albert

(74) *Attorney, Agent, or Firm*—Richard L. Mikesell

(57) **CLAIM**

The ornamental design for a buffing tool, as shown and described.

DESCRIPTION

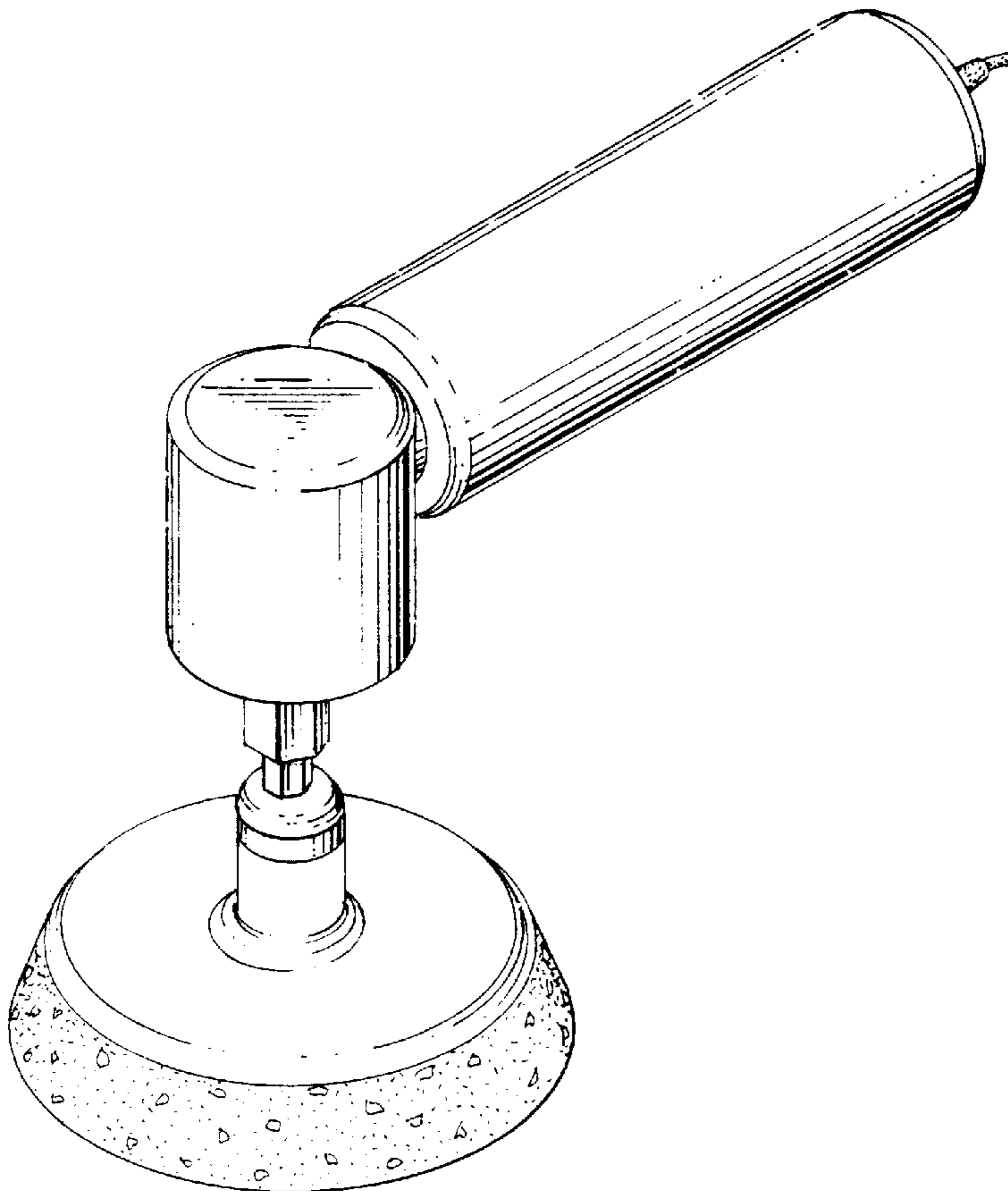
FIG. 1 is a top right perspective view of a buffing tool showing my new design;

FIG. 2 is a side elevational view of FIG. 1;

FIG. 3 is a rear elevational view of FIG. 1; and,

FIG. 4 is a bottom plan view of FIG. 1.

1 Claim, 1 Drawing Sheet



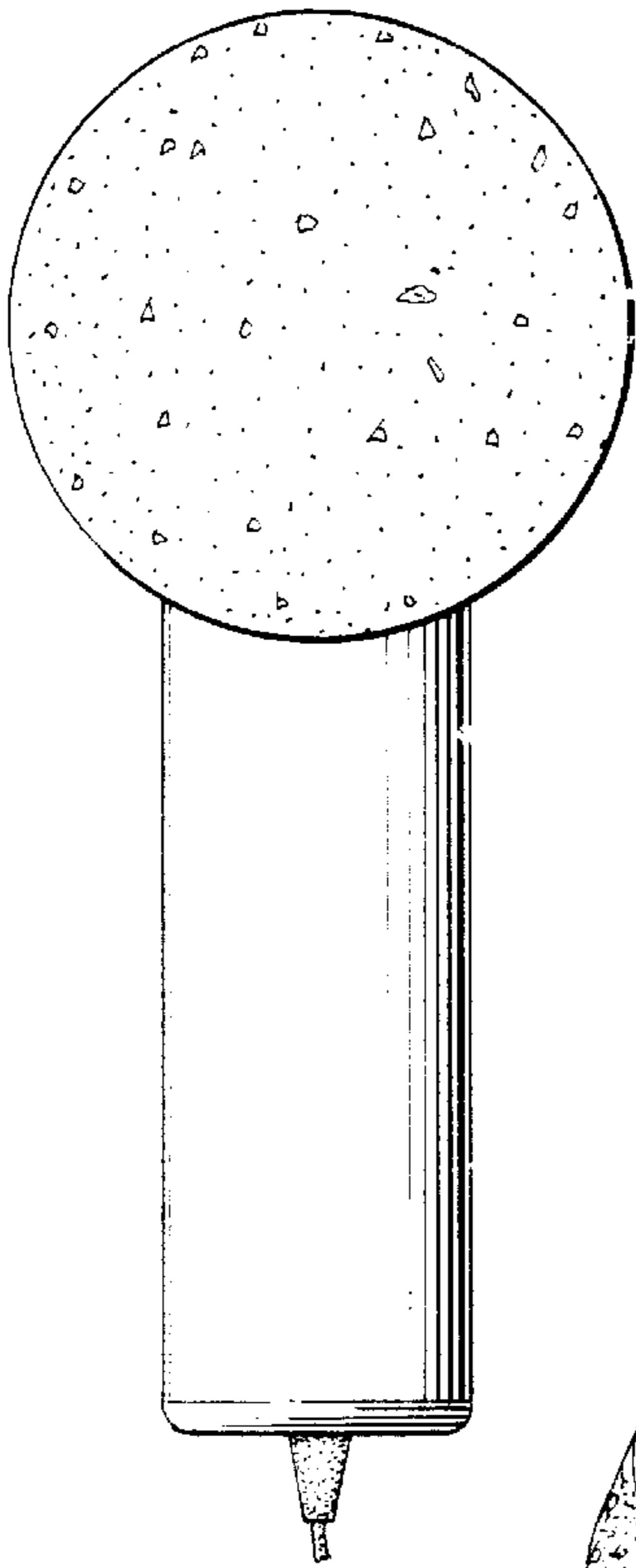


FIG. 1

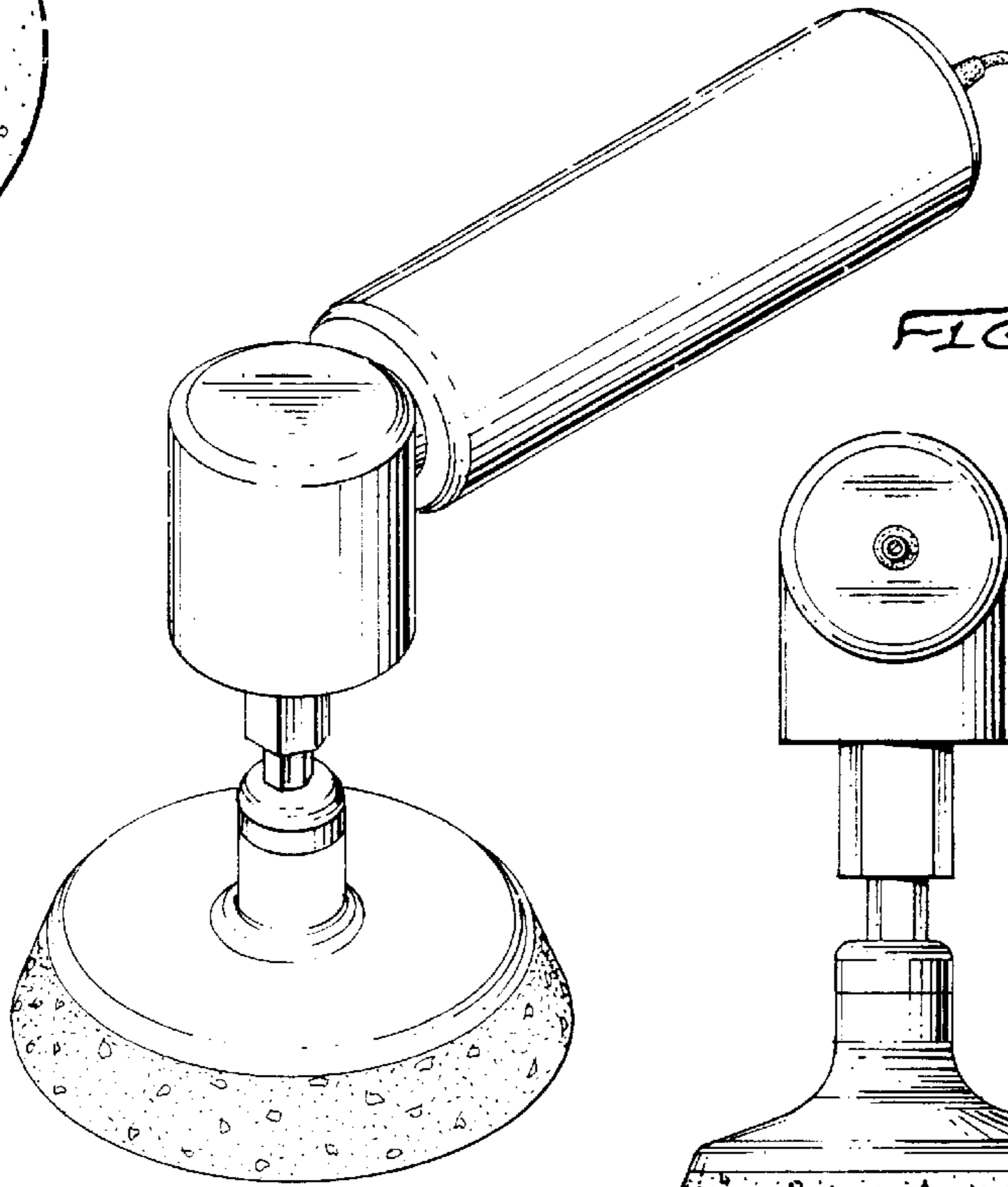


FIG. 2

FIG. 3

