



US00D475488S

(12) **United States Design Patent**
Bisson

(10) **Patent No.:** **US D475,488 S**

(45) **Date of Patent:** **** Jun. 3, 2003**

(54) **CARPET CLEANING SPOTTER**

(76) Inventor: **Montgomery Bisson**, 4902 Searidge Cir., Huntington Beach, CA (US) 92649

(**) Term: **14 Years**

(21) Appl. No.: **29/138,674**

(22) Filed: **Mar. 16, 2001**

(51) **LOC (7) Cl.** **15-05**

(52) **U.S. Cl.** **D32/15**

(58) **Field of Search** D32/1, 15, 16,
D32/21, 19, 25; 15/320, 50.1, 340.1-340.4,
363, 371, 412, 331, 401, 402, 339, 353,
327.1, 327.2, 354

(56) **References Cited**

U.S. PATENT DOCUMENTS

1,399,165 A	*	12/1921	Spencer	15/330
3,402,420 A	*	9/1968	Schaeffer	15/320
D258,963 S	*	4/1981	Phillips	D15/49
D274,380 S	*	6/1984	Palmer	D32/16
4,942,638 A	*	7/1990	Helm	15/50.1
D344,374 S	*	2/1994	Wulff	D32/21
5,526,547 A	*	6/1996	Williams et al.	15/320
5,890,258 A	*	4/1999	Lee	15/339 X

5,918,346 A	*	7/1999	Suzuki	15/402
D420,473 S	*	2/2000	Shero	D32/16
6,088,873 A	*	7/2000	Pacchini et al.	15/320

* cited by examiner

Primary Examiner—Martie K. Holtje
(74) *Attorney, Agent, or Firm*—Paul Adams

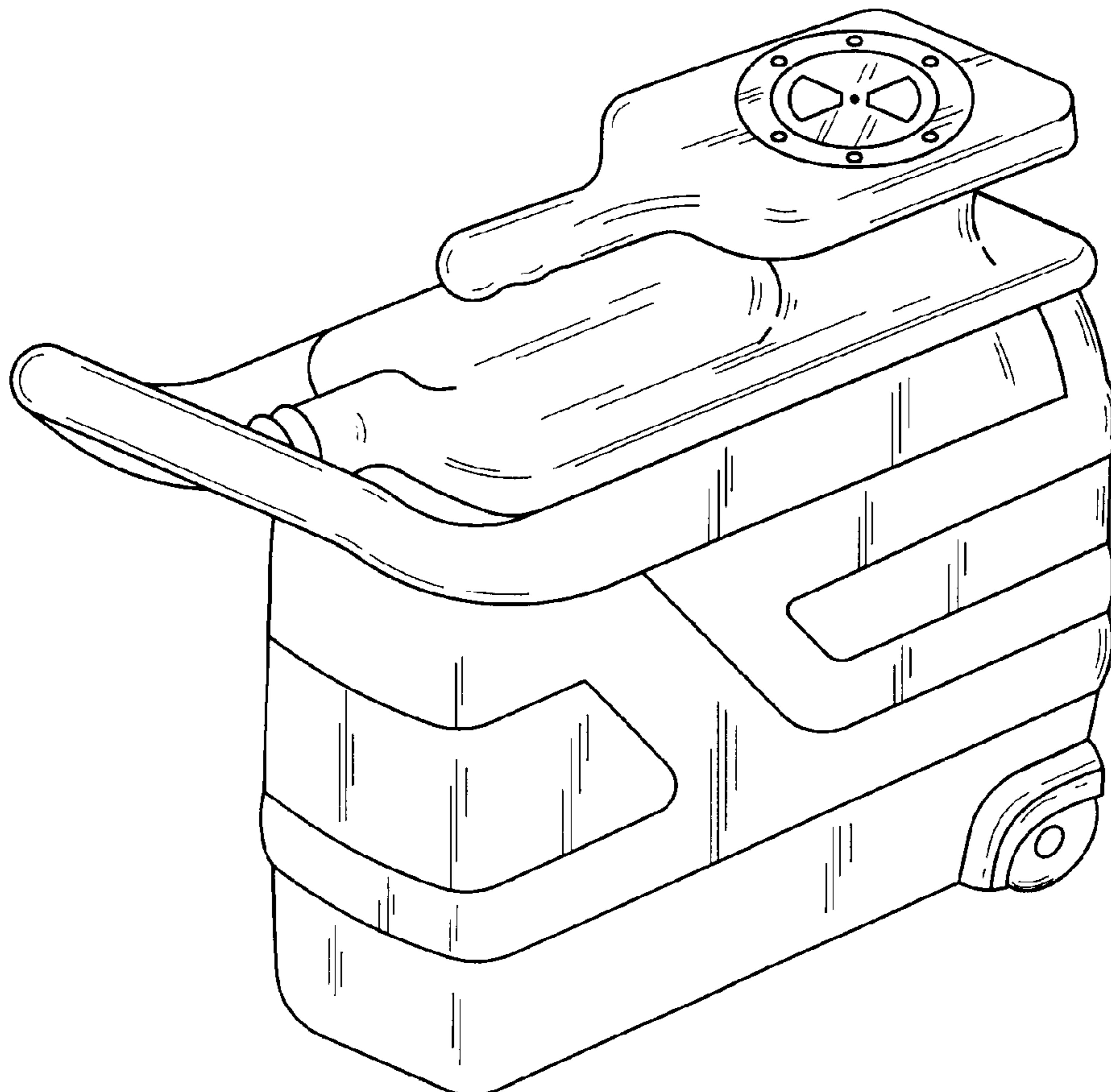
(57) **CLAIM**

The ornamental design for a carpet cleaning spotter, as shown and described.

DESCRIPTION

FIG. 1 is a top plan view of a cleaning device showing my new design;
 FIG. 2 is a side elevational view thereof;
 FIG. 3 is a bottom plan view thereof;
 FIG. 4 is front elevational view thereof;
 FIG. 5 is a rear elevational view thereof;
 FIG. 6 is a perspective view thereof;
 FIG. 7 is a top plan view with the handle extended;
 FIG. 8 is a side elevational view with the handle extended;
 and,
 FIG. 9 is a perspective view with the handle extended.

1 Claim, 3 Drawing Sheets



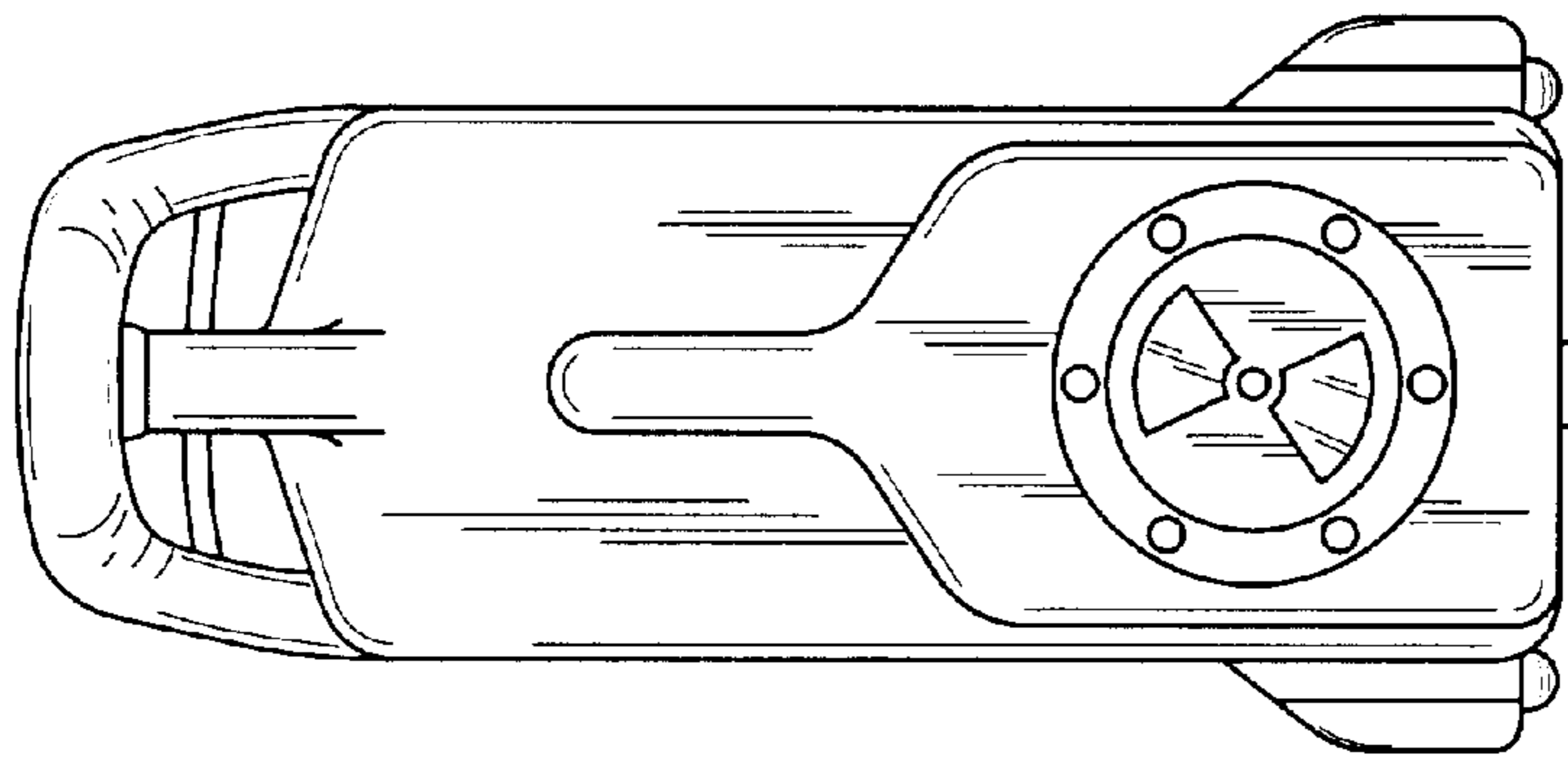


FIG. 1

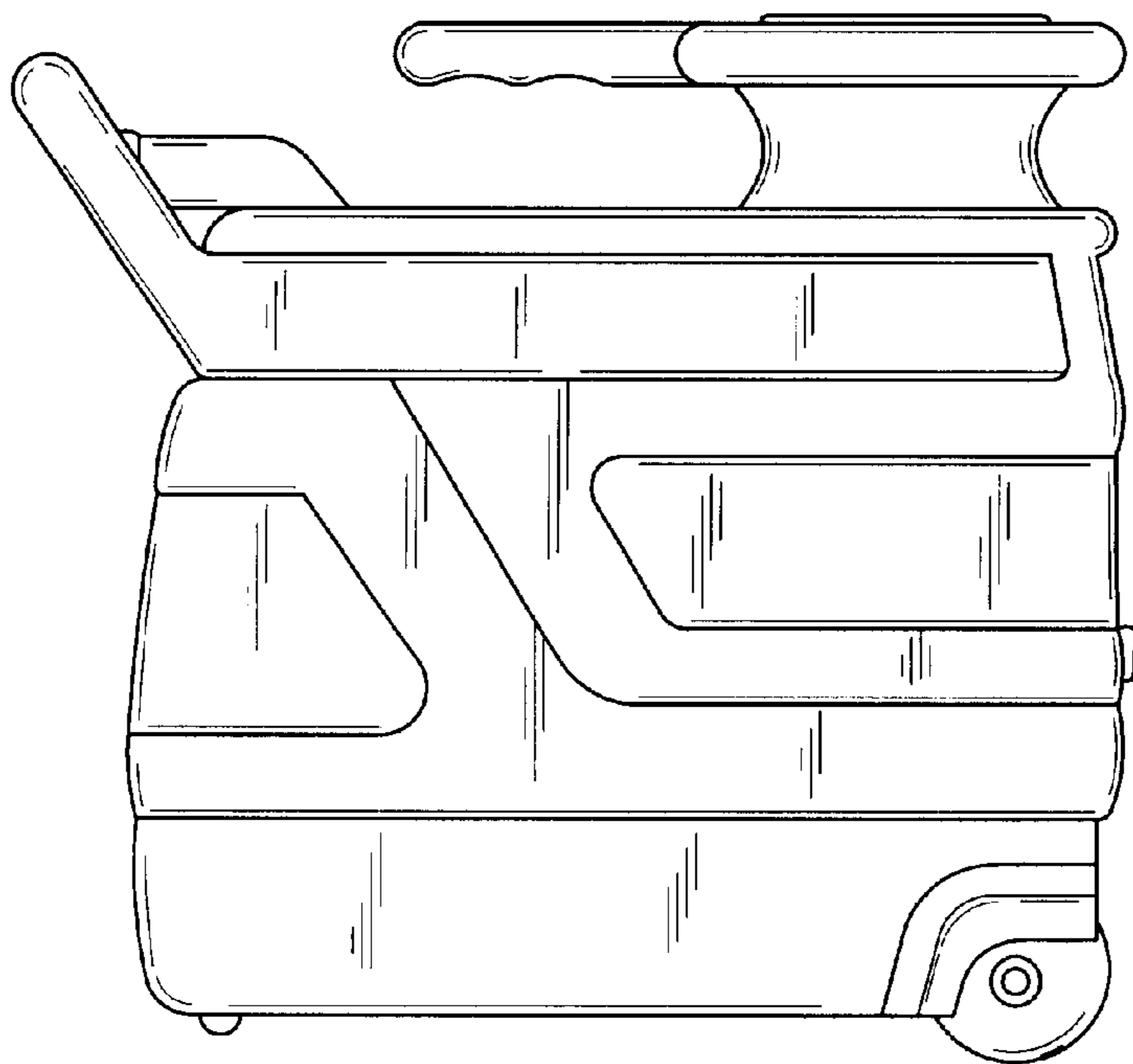


FIG. 2

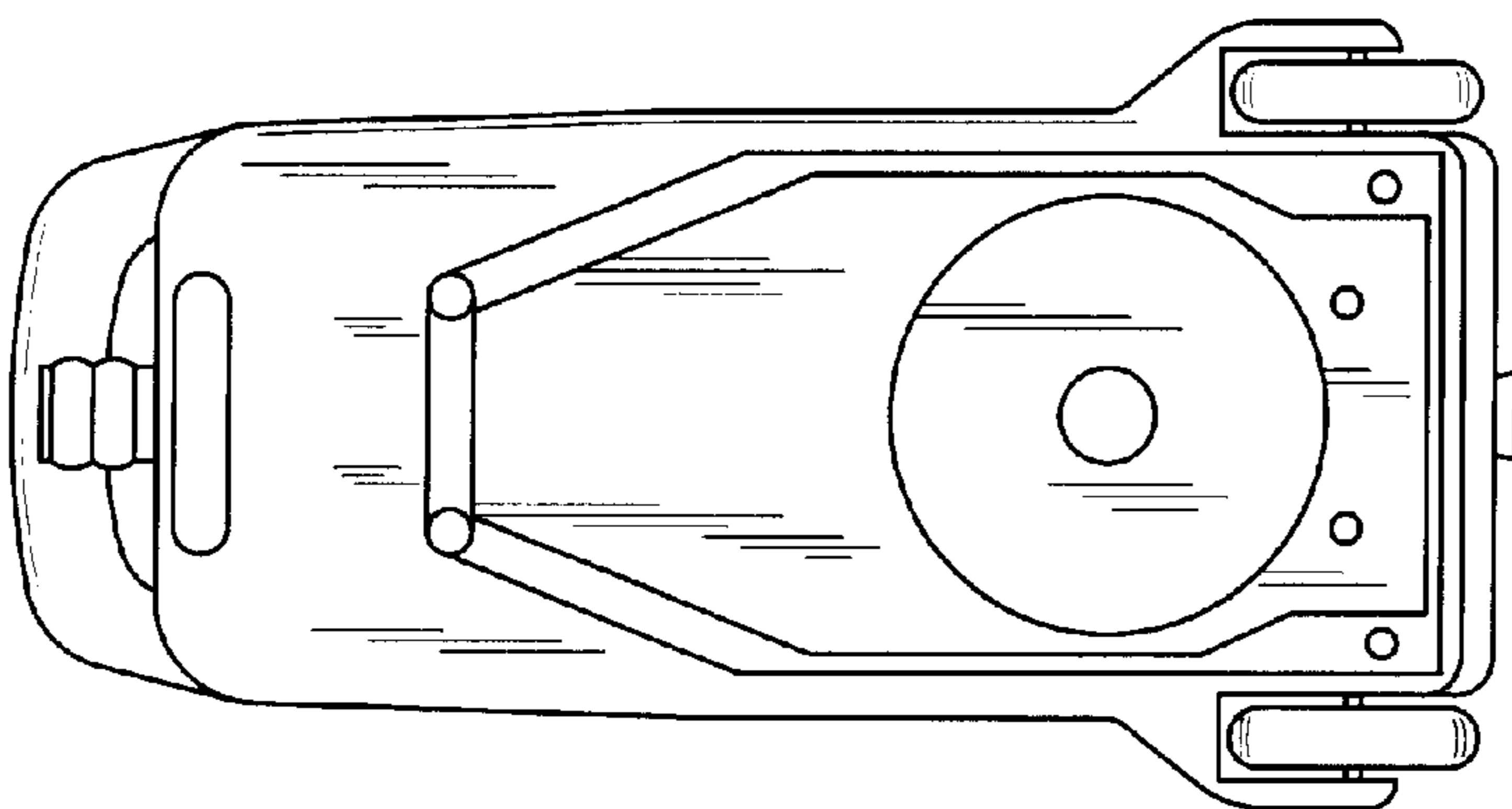


FIG. 3

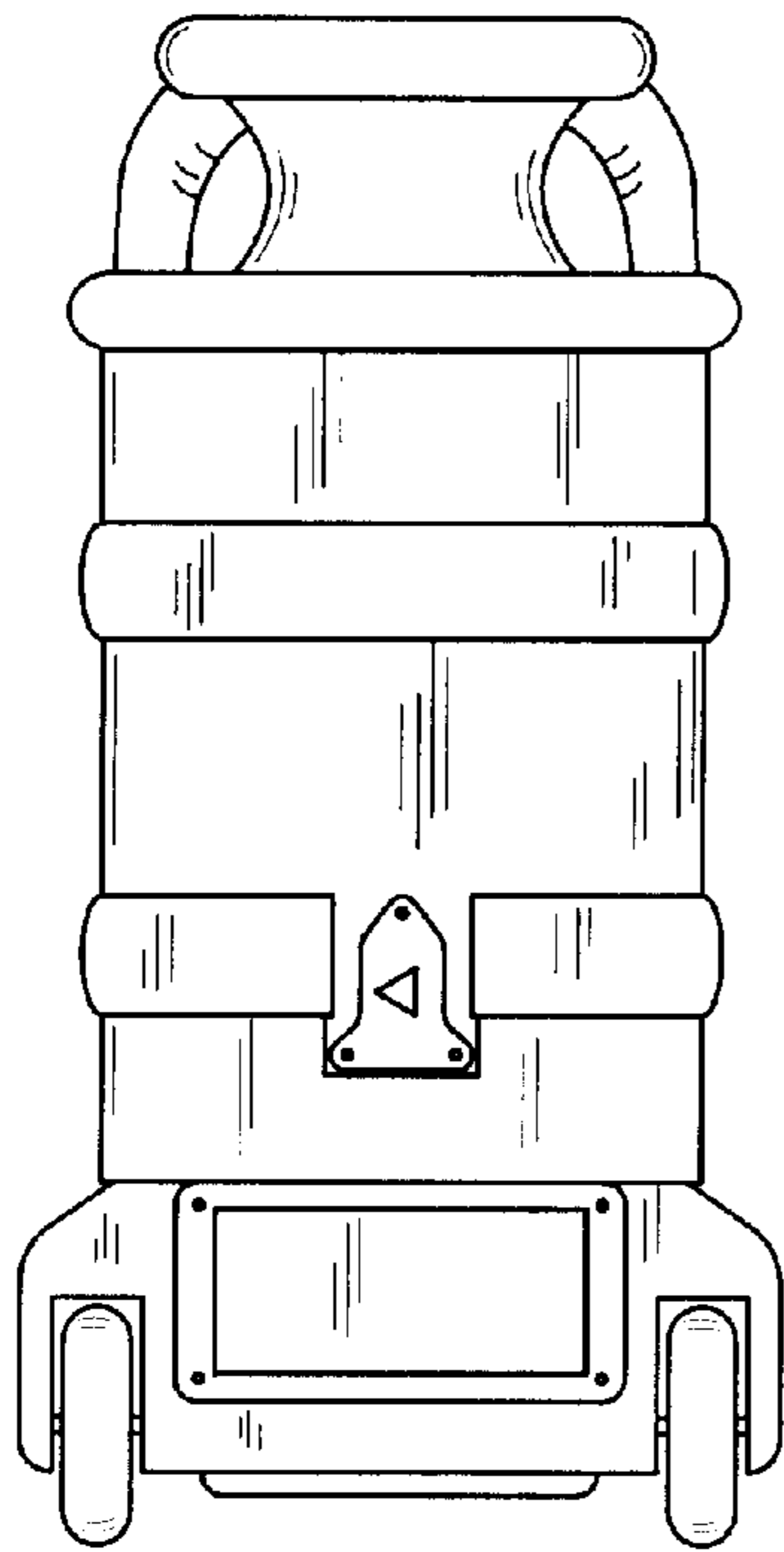


FIG. 4

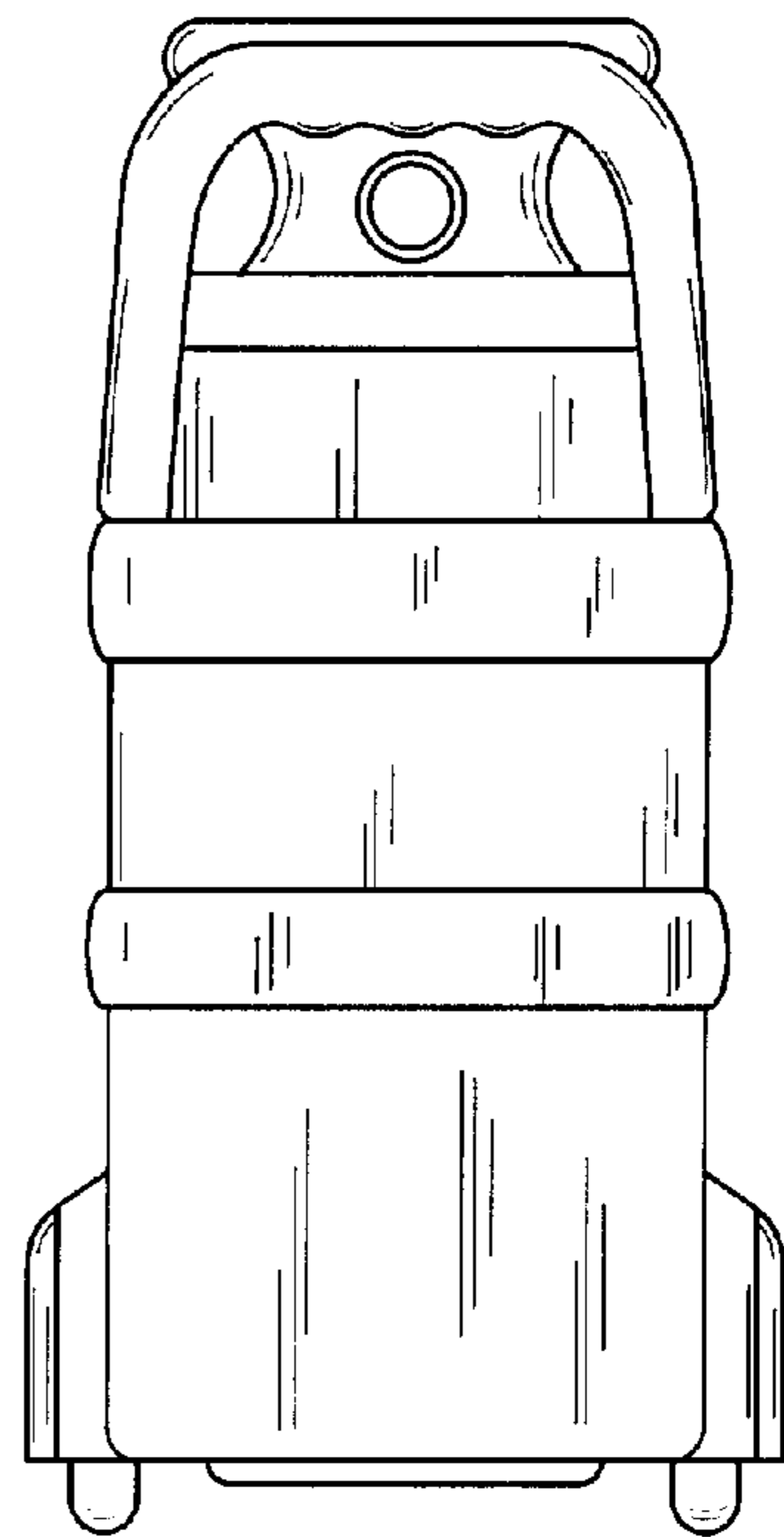


FIG. 5

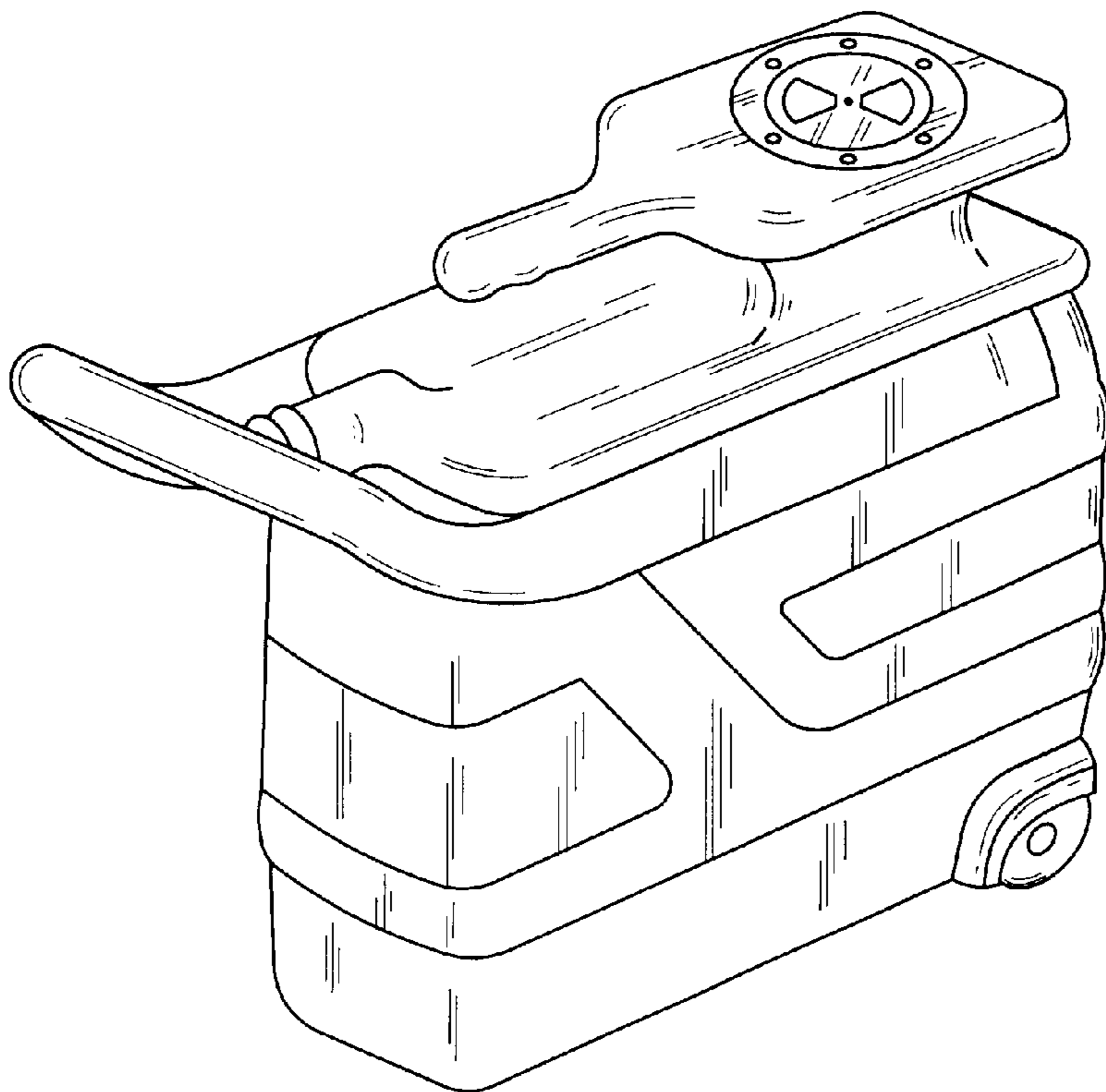


FIG. 6

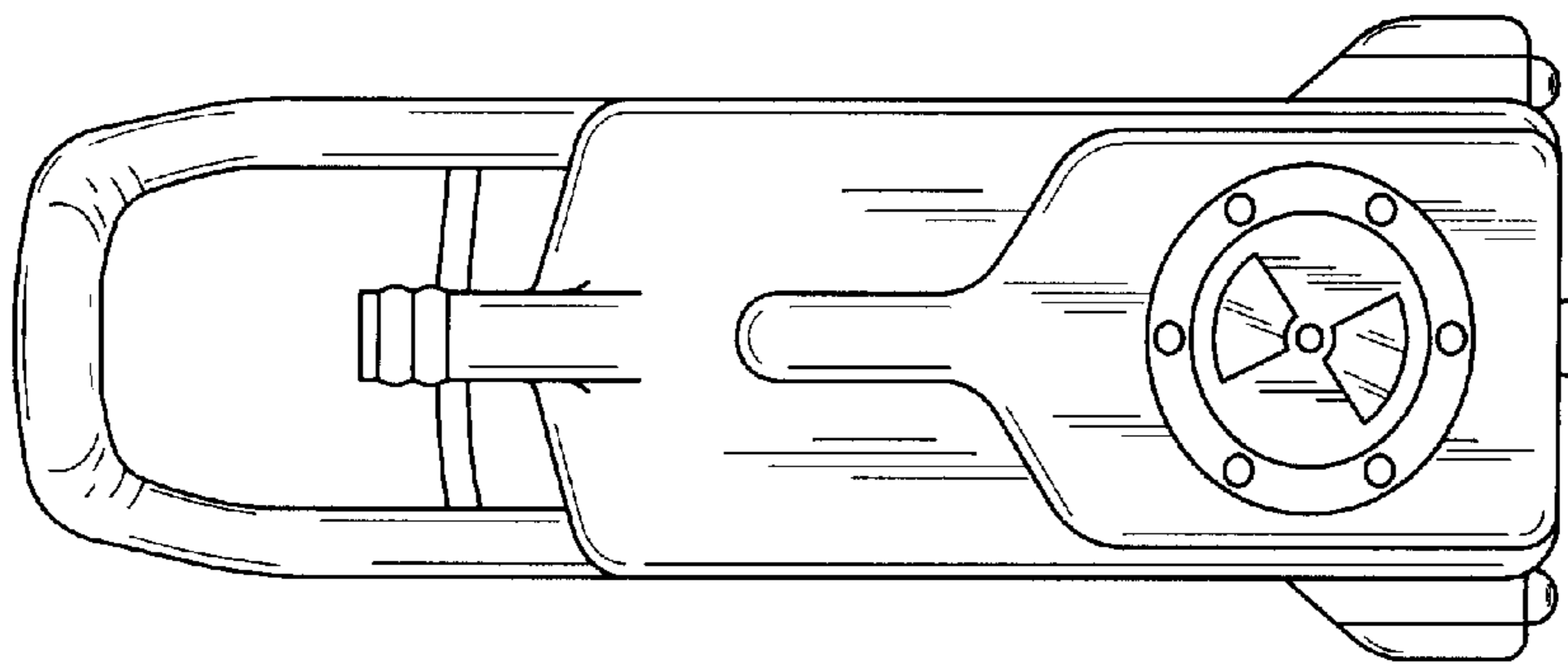


FIG. 7

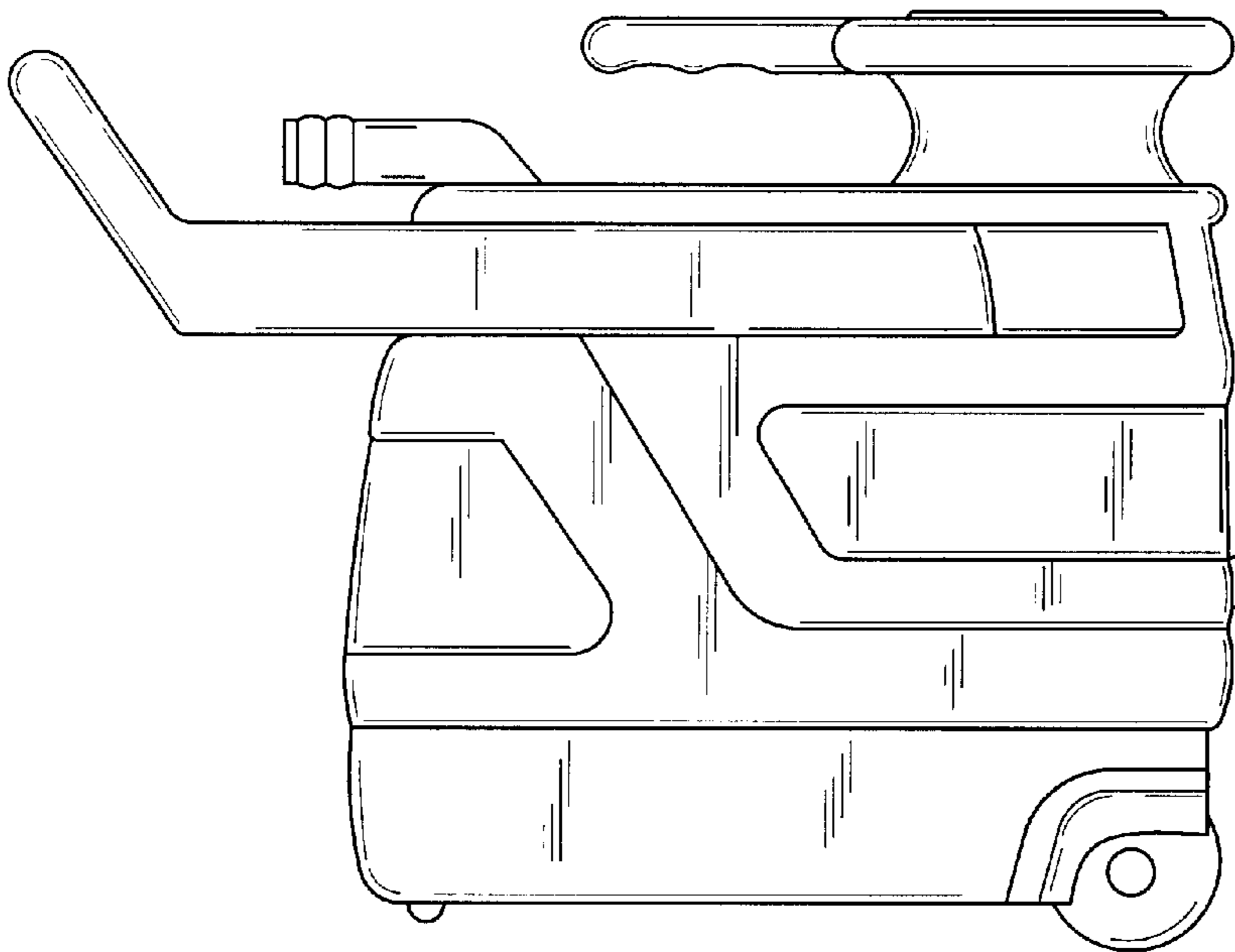


FIG. 8

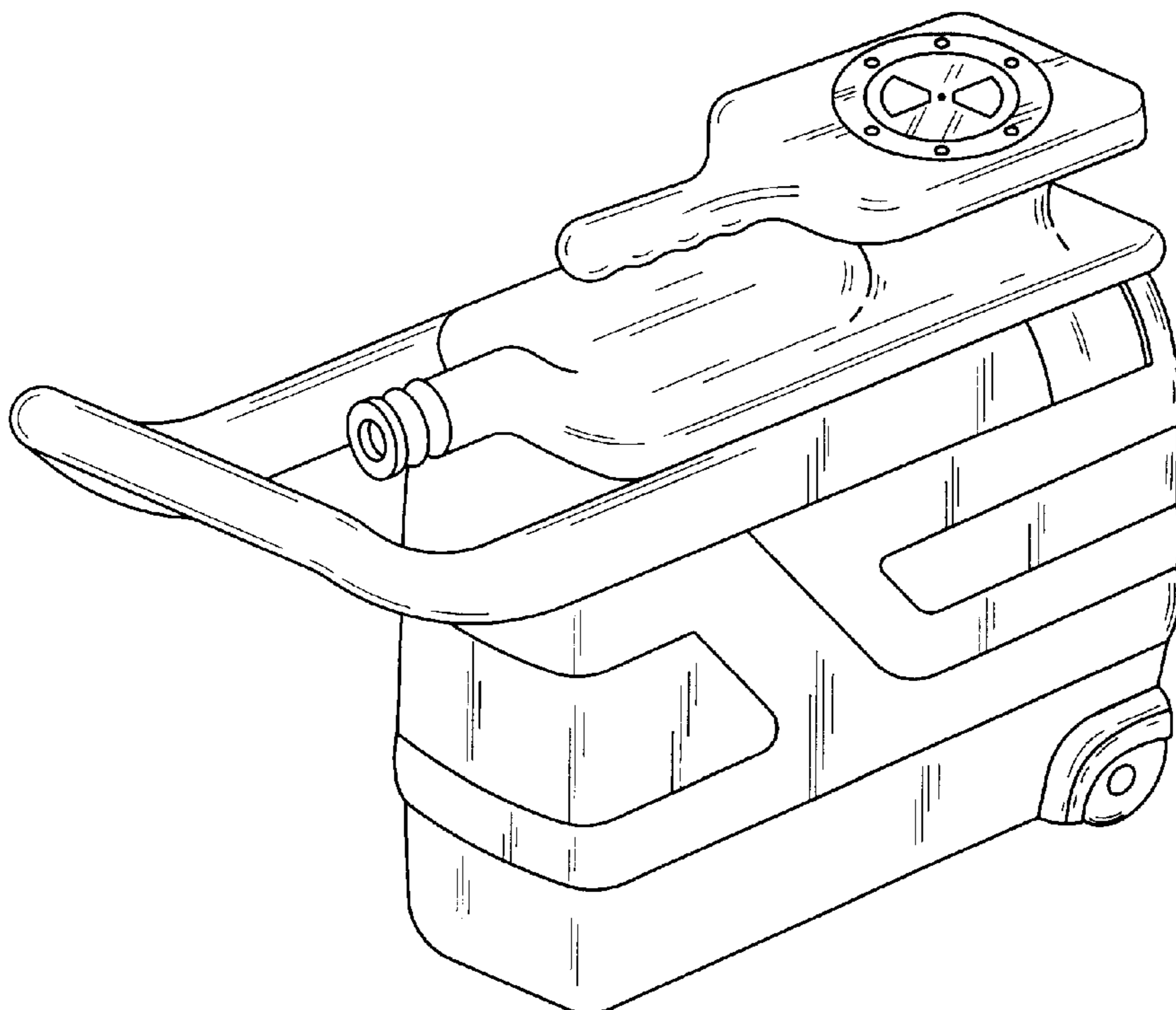


FIG. 9