



US00D475473S

(12) **United States Design Patent**
Horowitz

(10) **Patent No.:** **US D475,473 S**
(45) **Date of Patent:** **** Jun. 3, 2003**

(54) **TAIL LENS ASSEMBLY**

DESCRIPTION

- (75) Inventor: **Brian A. Horowitz**, Corona, CA (US)
- (73) Assignee: **American Products Company, Inc.**,
Corona, CA (US)
- (**) Term: **14 Years**
- (21) Appl. No.: **29/162,665**
- (22) Filed: **Jun. 18, 2002**

Related U.S. Application Data

- (63) Continuation of application No. 29/153,949, filed on Jan. 14, 2002, now Pat. No. Des. 460,833.
- (51) **LOC (7) Cl.** **26-06**
- (52) **U.S. Cl.** **D26/28**
- (58) **Field of Search** D26/28-36; 362/61,
362/66, 80, 81, 82, 83, 326, 327, 328, 330-340,
367

(56) **References Cited**

U.S. PATENT DOCUMENTS

D460,833 S * 7/2002 Horowitz D26/28

* cited by examiner

Primary Examiner—Marcus A. Jackson

(74) *Attorney, Agent, or Firm*—Knobbe Martens Olson & Bear LLP

(57) **CLAIM**

The ornamental design for a tail lens assembly, as shown and described.

FIG. 1 is a front-left perspective view of a preferred embodiment of the tail lens assembly according to the present invention;

FIG. 2 is a partially exploded front-left perspective view of the tail lens assembly of FIG. 1, showing the cover of the tail lens assembly removed;

FIG. 3 is a front elevational view of the tail lens assembly of FIG. 1;

FIG. 4 is a left-side elevational view of the tail lens assembly of FIG. 1;

FIG. 5 is a top plan view of the tail lens assembly of FIG. 1;

FIG. 6 is a front-left perspective view of the tail lens assembly of FIG. 1, showing the tail lens assembly installed on a vehicle;

FIG. 7 is a front-left perspective view of another preferred embodiment of the tail lens assembly according to the present invention;

FIG. 8 is a partially exploded front-left perspective view of the tail lens assembly of FIG. 7, showing the cover of the tail lens assembly removed;

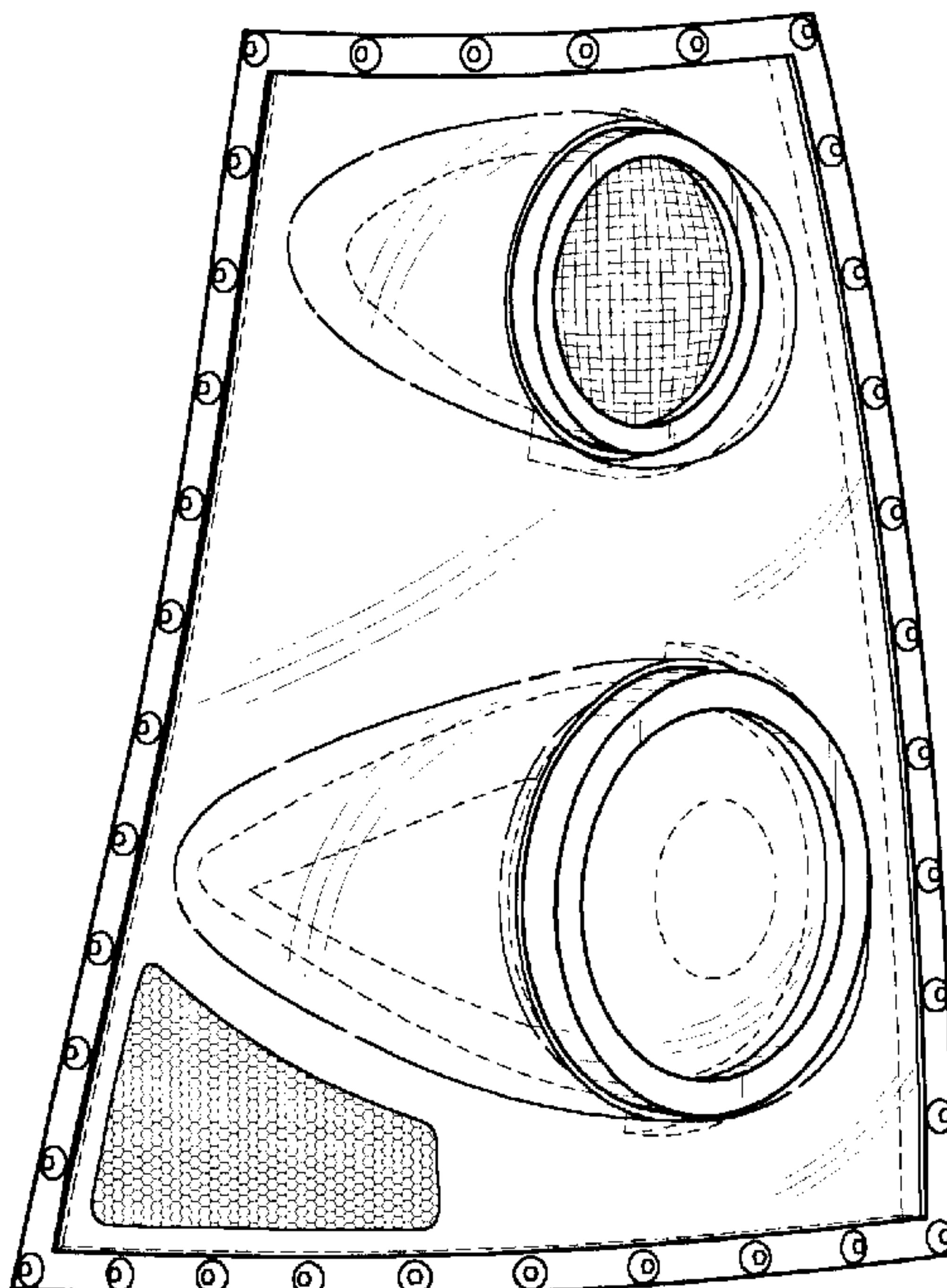
FIG. 9 is a front elevational view of the tail lens assembly of FIG. 7;

FIG. 10 is a left-side elevational view of the tail lens assembly of FIG. 7;

FIG. 11 is a top plan view of the tail lens assembly of FIG. 7; and,

FIG. 12 is a front-left perspective view of the tail lens assembly of FIG. 7, showing the tail lens assembly installed on a vehicle.

1 Claim, 8 Drawing Sheets



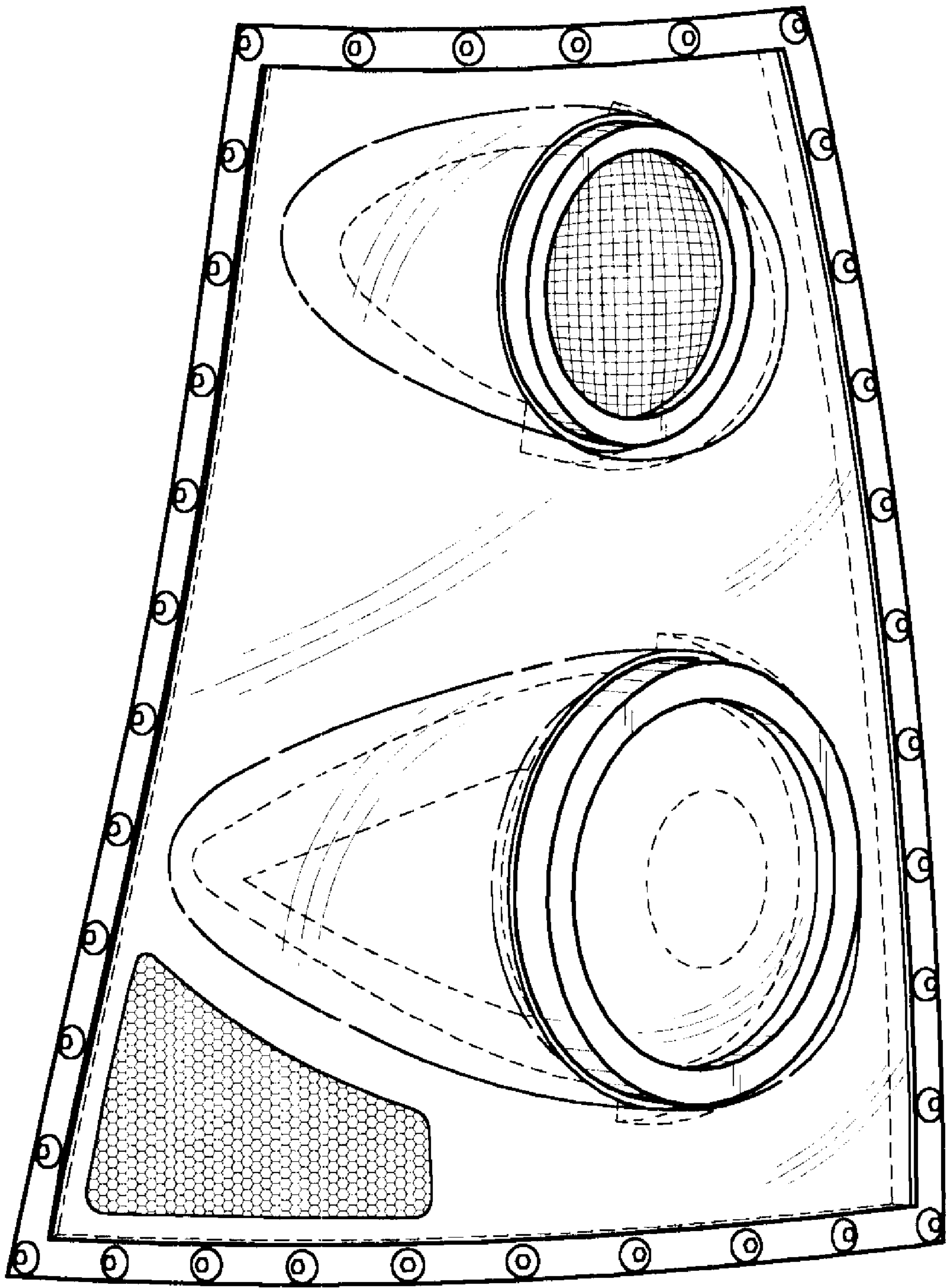


FIG. 1

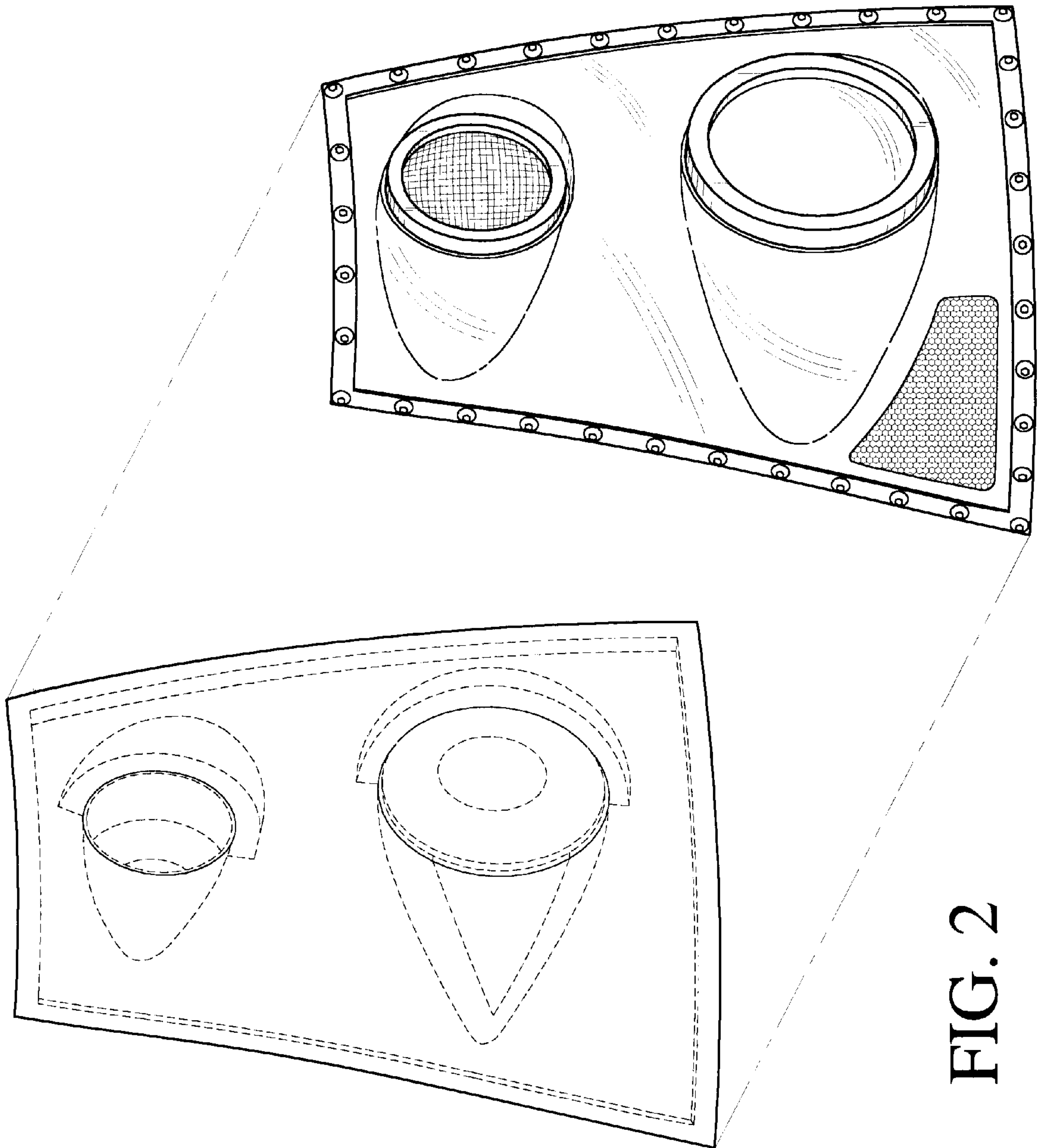


FIG. 2

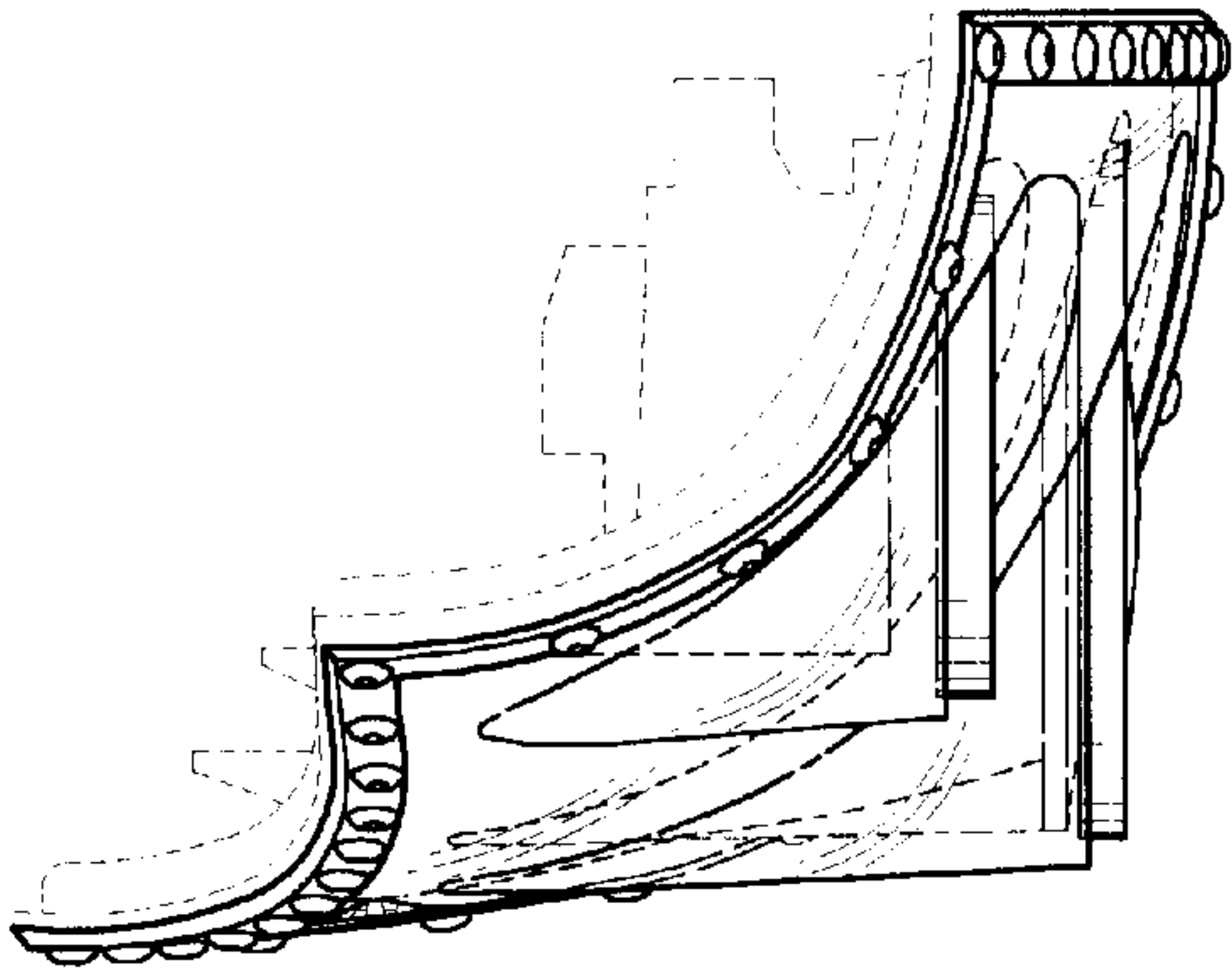


FIG. 5

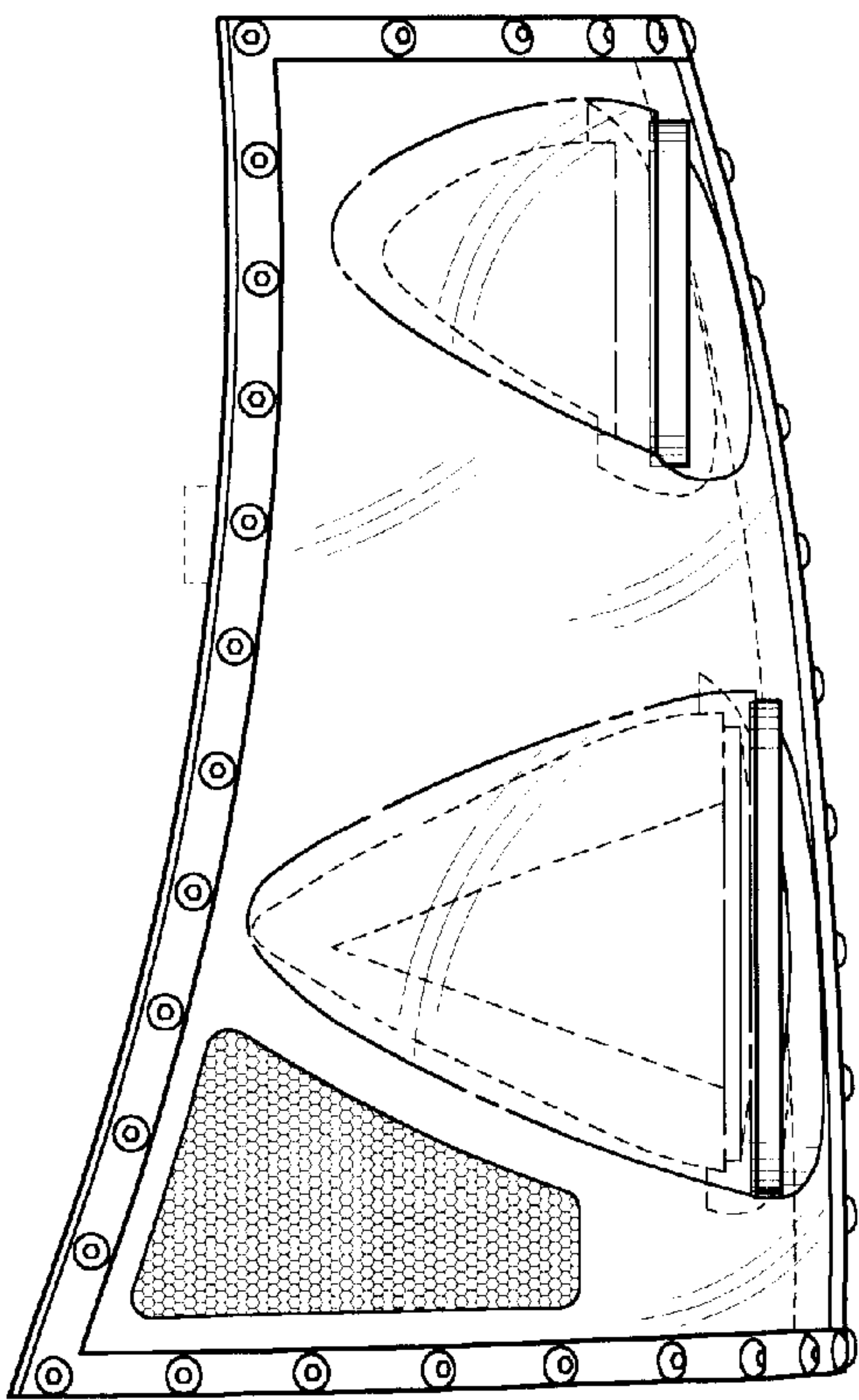


FIG. 4

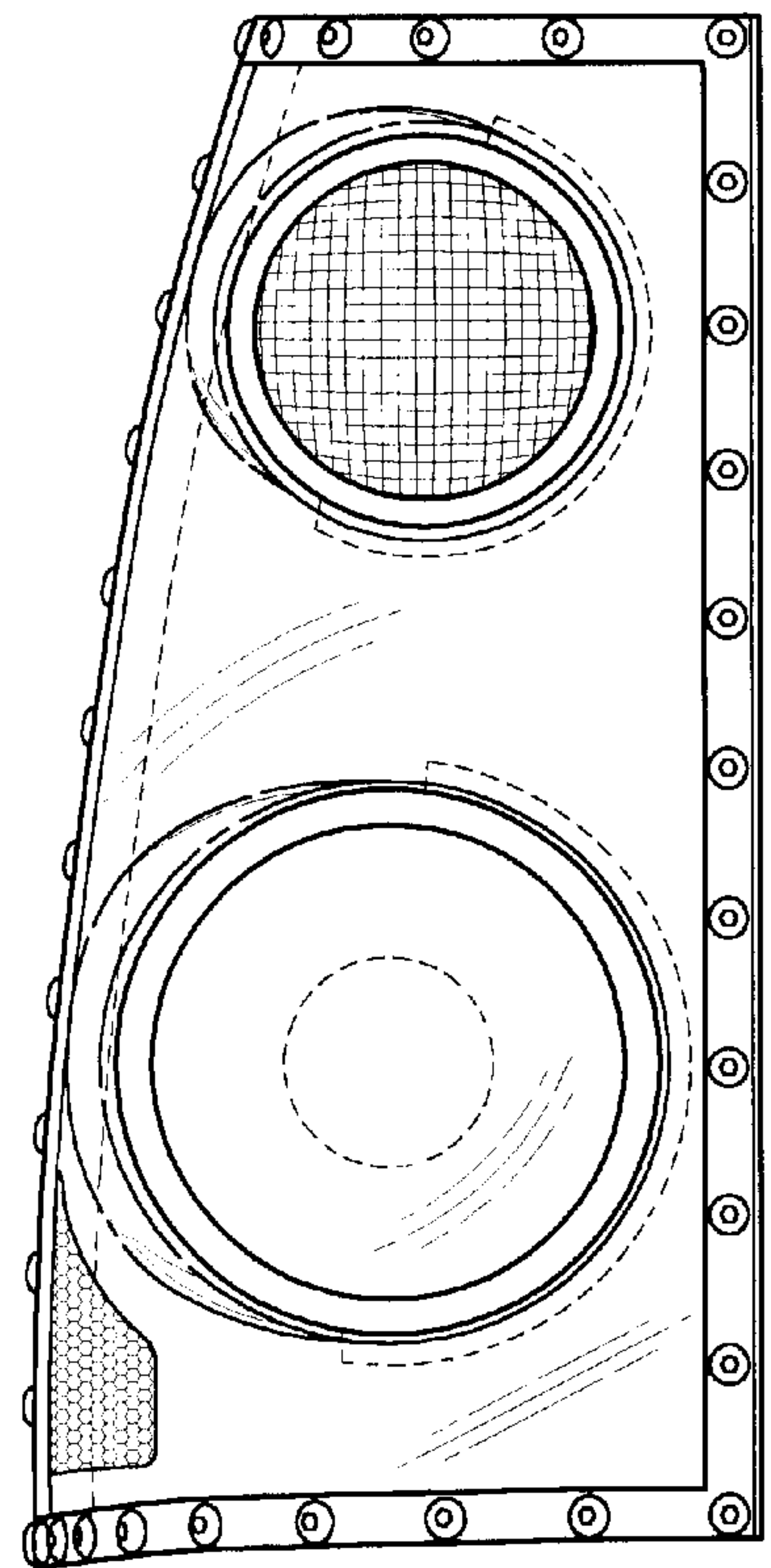


FIG. 3

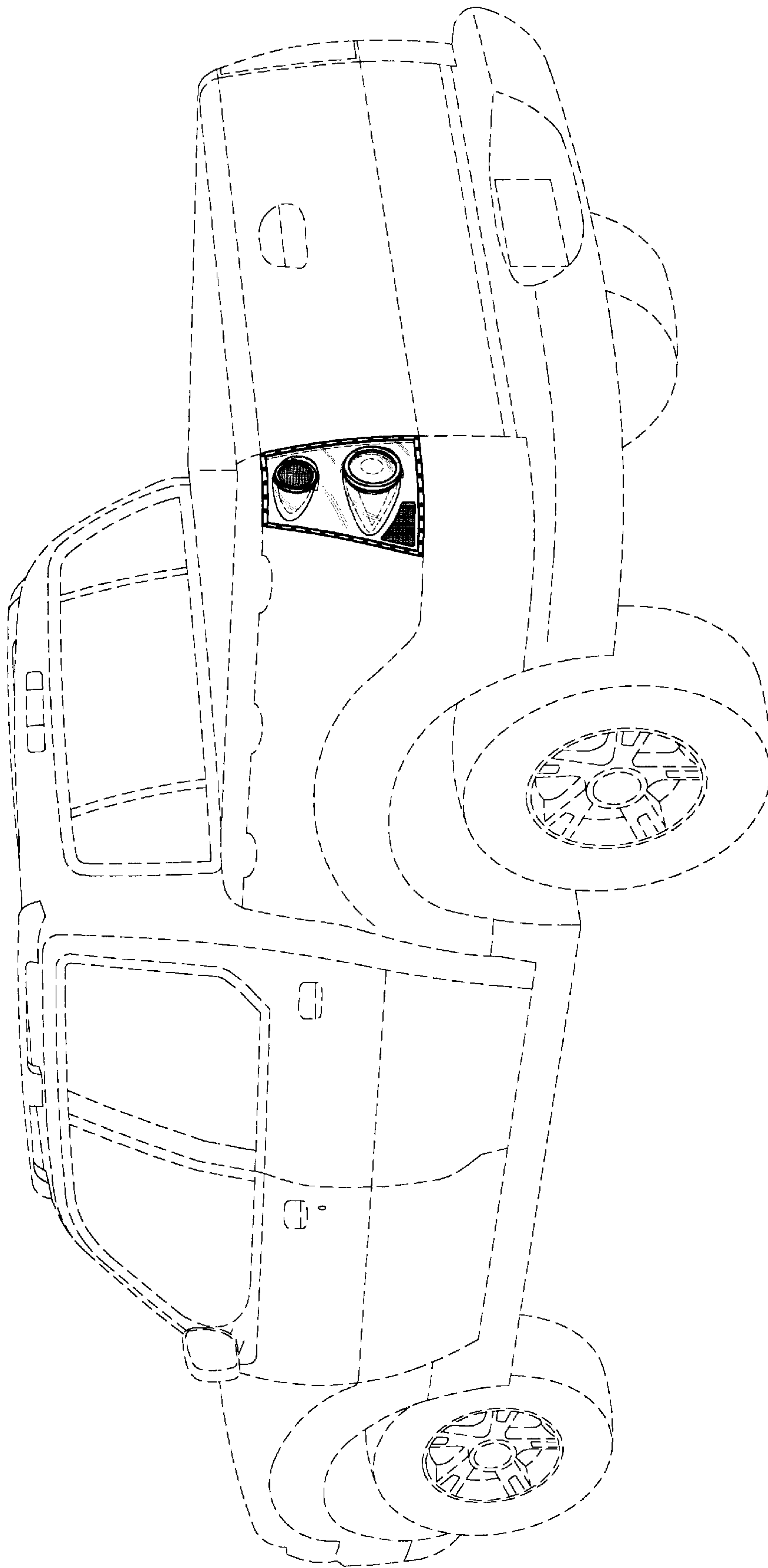


FIG. 6

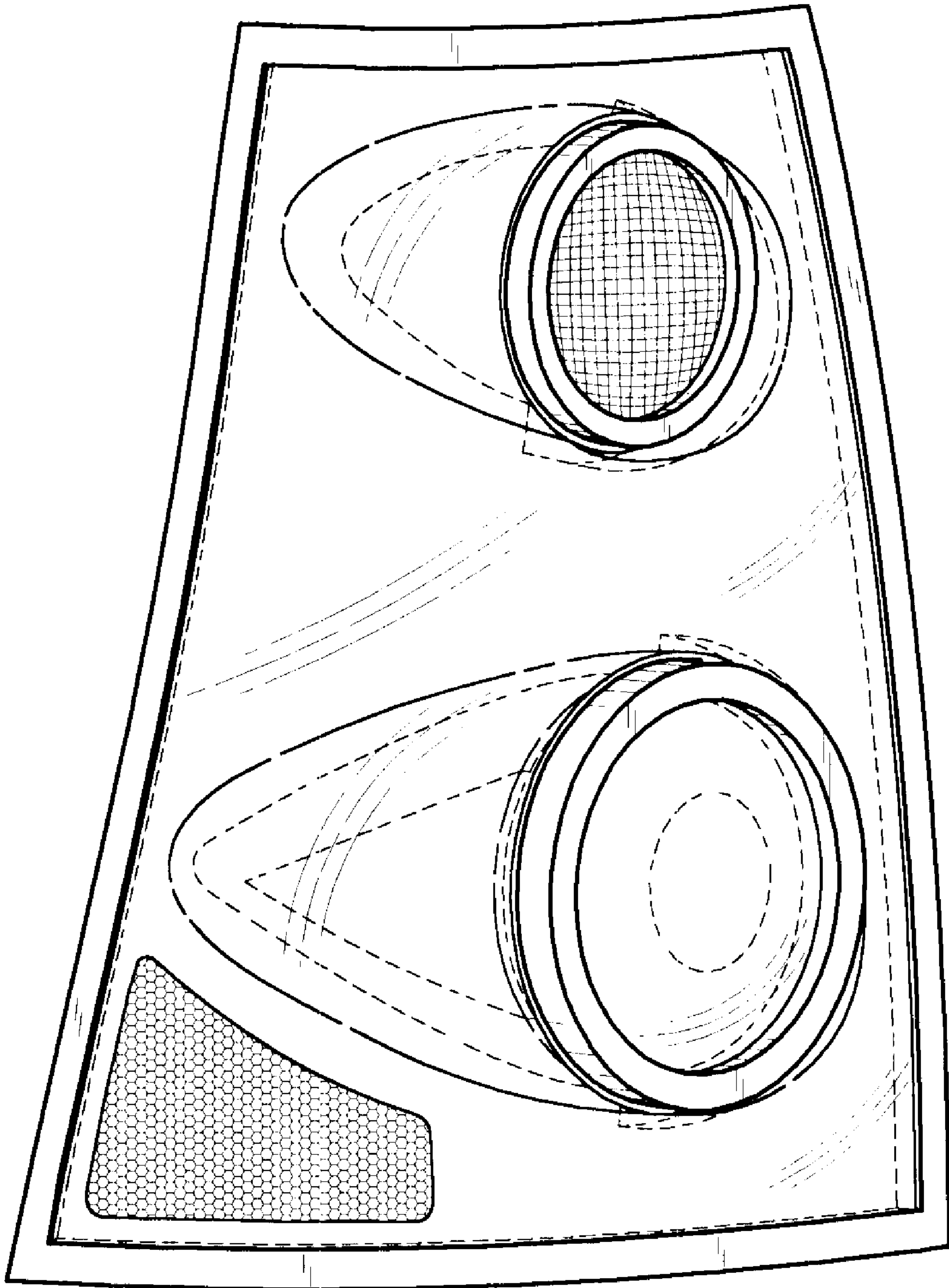


FIG. 7

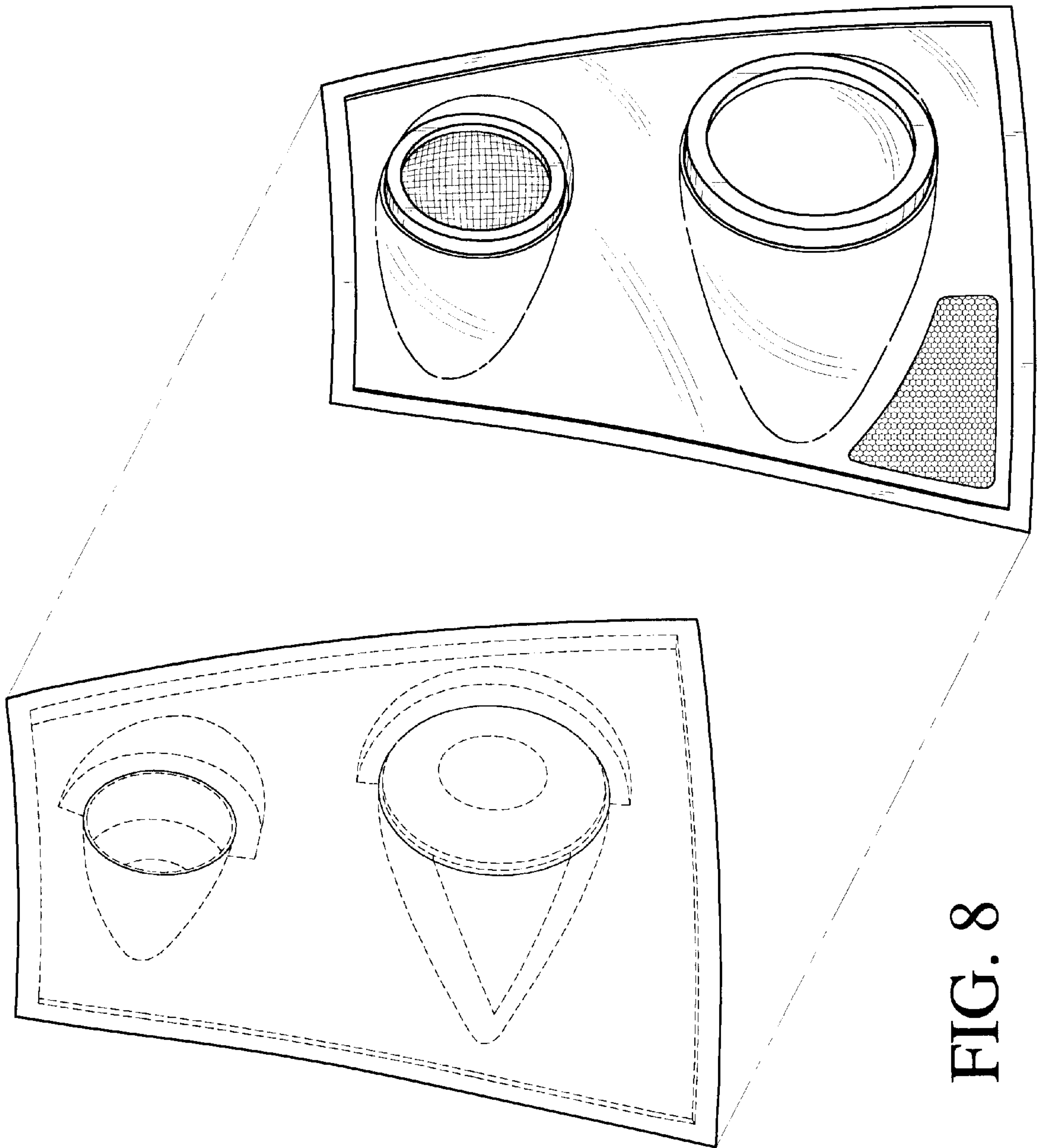


FIG. 8

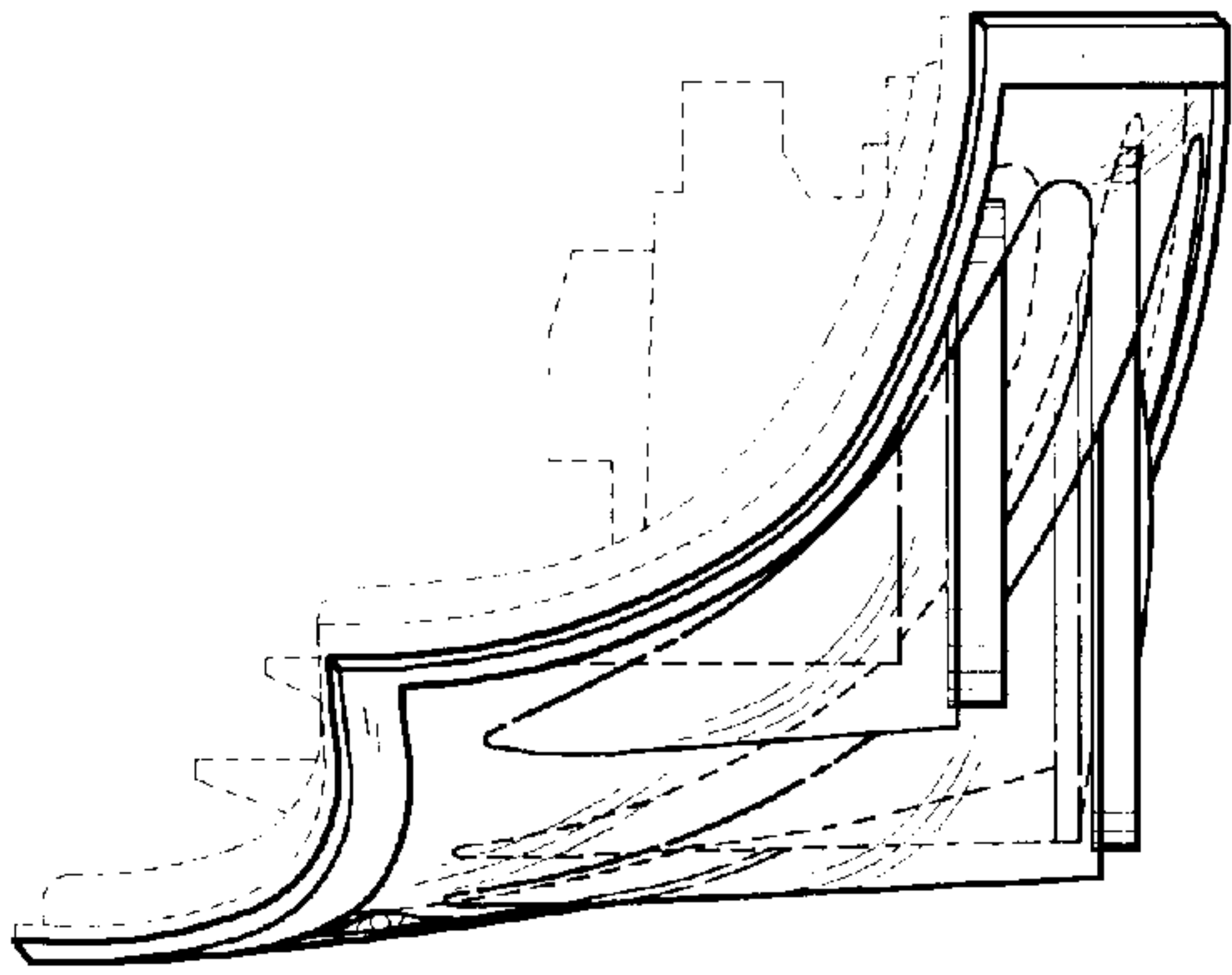


FIG. 11

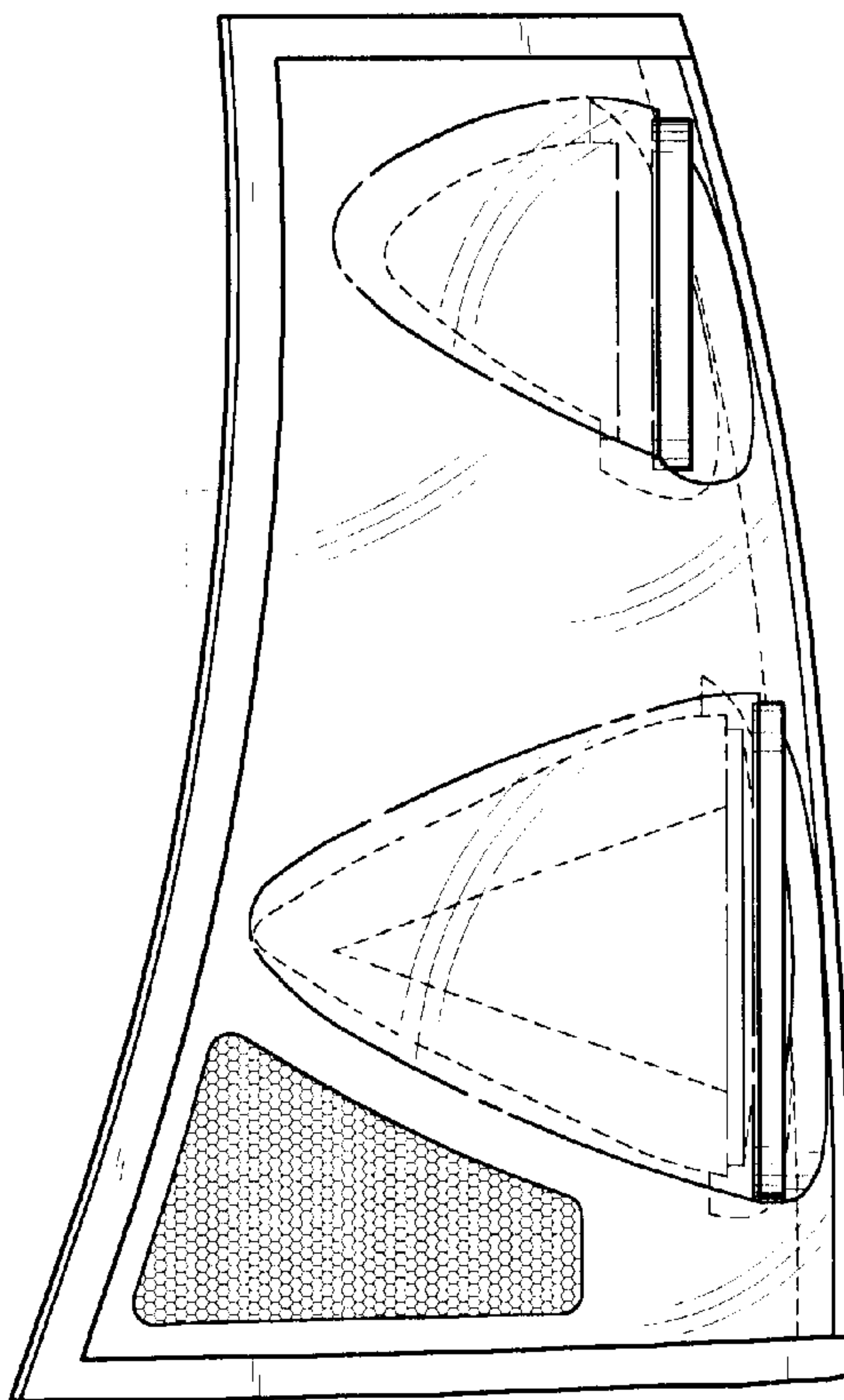


FIG. 10

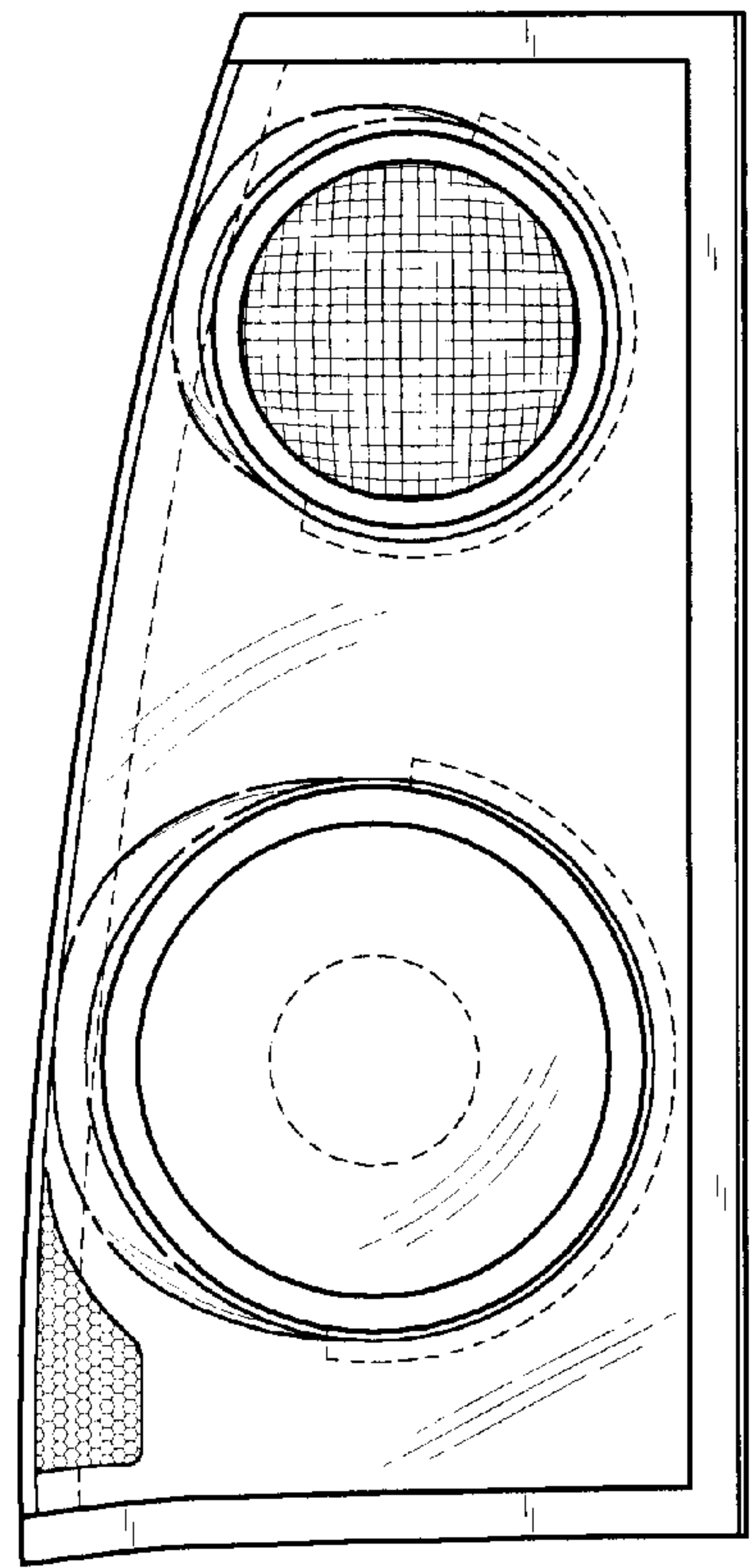


FIG. 9

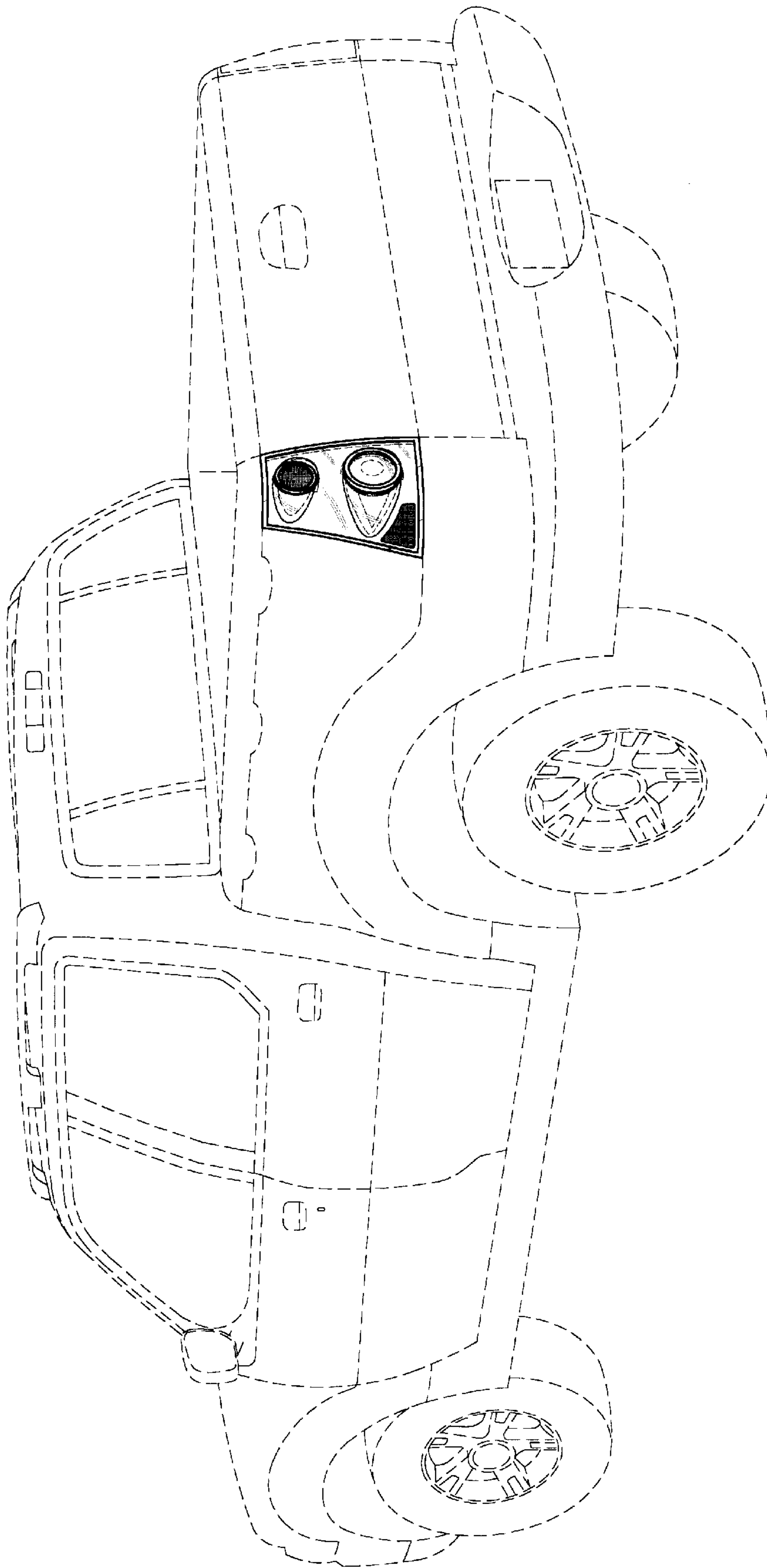


FIG. 12