



US00D475472S

(12) **United States Design Patent**  
**Hipp et al.**

(10) **Patent No.:** **US D475,472 S**

(45) **Date of Patent:** **\*\* Jun. 3, 2003**

(54) **BOAT LIGHT CLAMP FOR PEDESTAL SEAT POST**

*Primary Examiner*—Marcus A. Jackson  
(74) *Attorney, Agent, or Firm*—Lanier Ford Shaver & Payne P.C.

(76) Inventors: **Jeff A. Hipp**, 11002 Temperance St.,  
Huntsville, AL (US) 35803; **Ricky C. Martin**, 406 Mohawk Rd., Owens  
Cross Roads, AL (US) 35763

(57) **CLAIM**

We claim the ornamental design for a boat light clamp for pedestal seat post, as shown and described.

(\*\*) Term: **14 Years**

**DESCRIPTION**

(21) Appl. No.: **29/154,052**

FIG. 1 is a top, front, left side perspective view of the boat light clamp for pedestal seat post of the present invention in position on a pedestal seat post, it being understood that the broken lines are for illustrative purposes only and form no part of the claimed design.

(22) Filed: **Jan. 14, 2002**

(51) **LOC (7) Cl.** ..... **26-06**

(52) **U.S. Cl.** ..... **D26/28**

(58) **Field of Search** ..... D26/28-36; 362/61,  
362/80, 80.1, 81, 82, 83, 83.2; 340/468-474

FIG. 2 is a top, rear, right side perspective view thereof.

FIG. 3 is a front elevation view thereof.

FIG. 4 is a rear elevation view thereof.

FIG. 5 is a top plan view thereof.

FIG. 6 is a bottom plan view thereof.

FIG. 7 is a left side elevation view thereof, the right side being a mirror image of the left side.

FIG. 8 is a left side elevation view thereof with the clamp being disassembled.

FIG. 9 is a top plan view of an alternate embodiment of the present invention wherein the cross bar with lights is V-shaped; and,

FIG. 10 is a top plan view of an alternate embodiment of the present invention wherein the cross bar with lights is semi-circular.

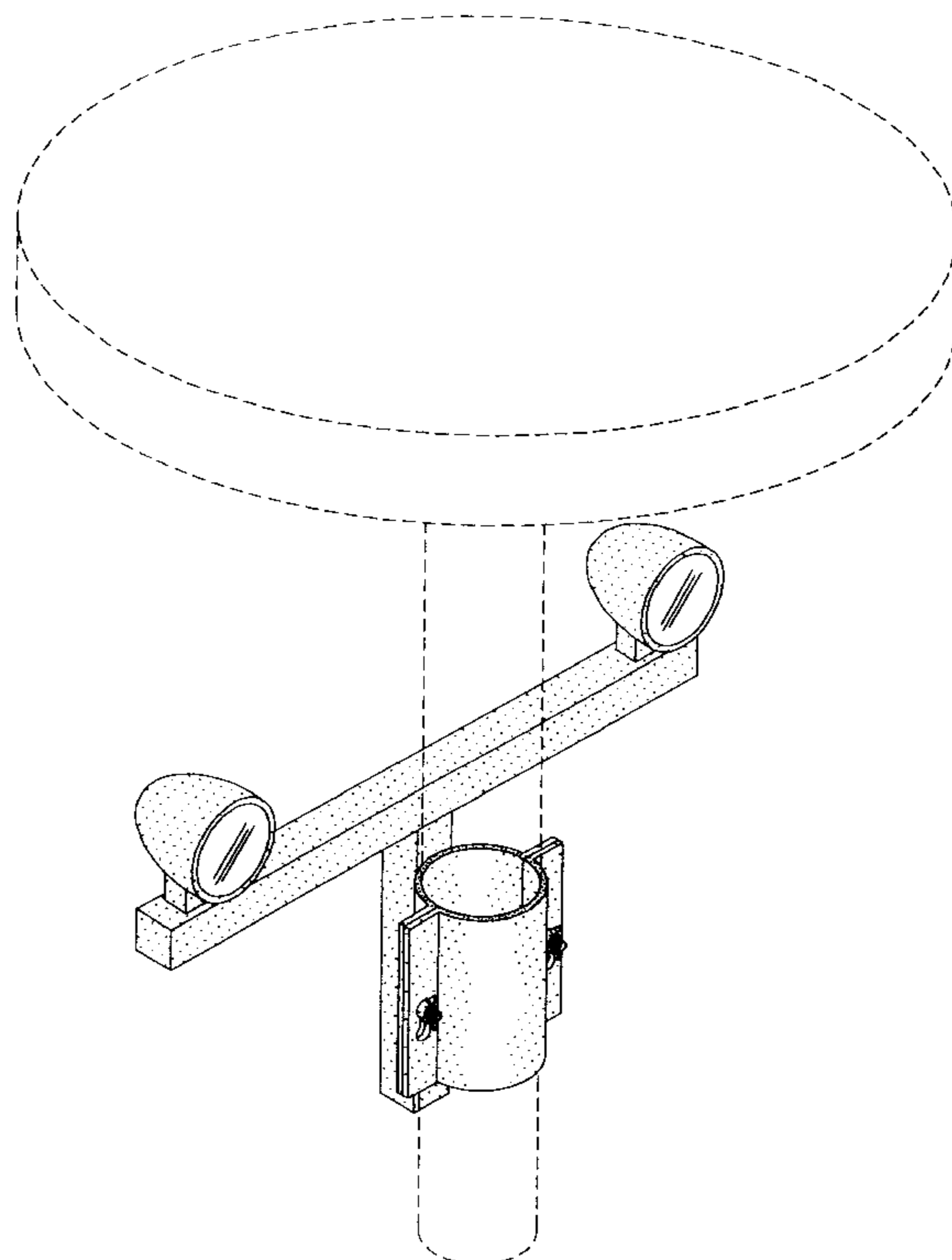
(56) **References Cited**

**U.S. PATENT DOCUMENTS**

D254,634 S	4/1980	Ziaylek, Jr.	
D296,476 S	6/1988	Kline et al.	
D306,417 S	3/1990	Godbersen	
D308,110 S	5/1990	Ziaylek, Jr.	
D316,159 S	4/1991	Whitley, II	
5,268,824 A	12/1993	Czipri	
5,285,359 A	2/1994	Czipri	
5,486,987 A	1/1996	Fritz, Jr.	
D441,472 S	* 5/2001	Tornare	D26/28
D461,575 S	* 8/2002	Whipple	D26/28
D463,048 S	* 9/2002	Scott et al.	D26/28

\* cited by examiner

**1 Claim, 3 Drawing Sheets**



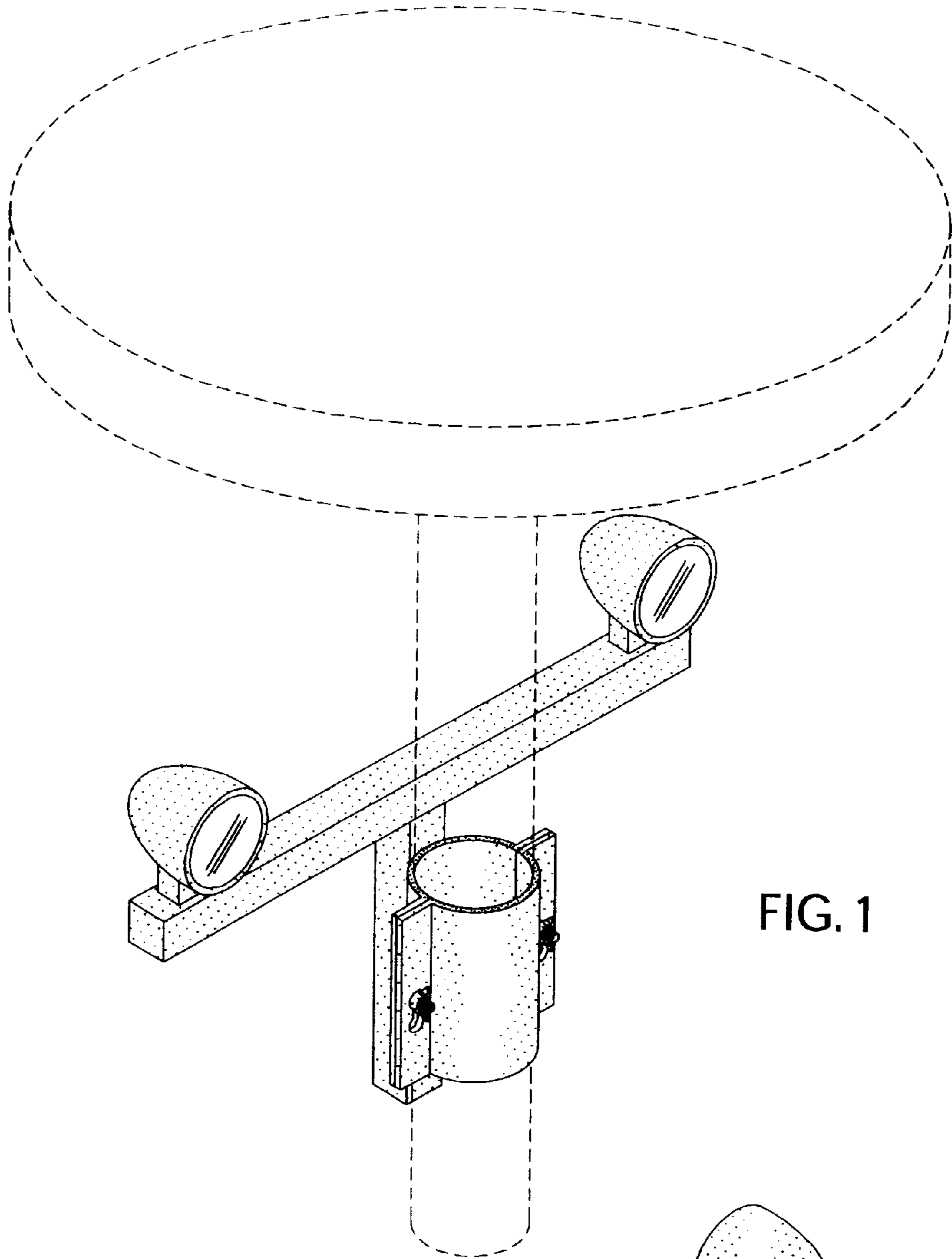


FIG. 1

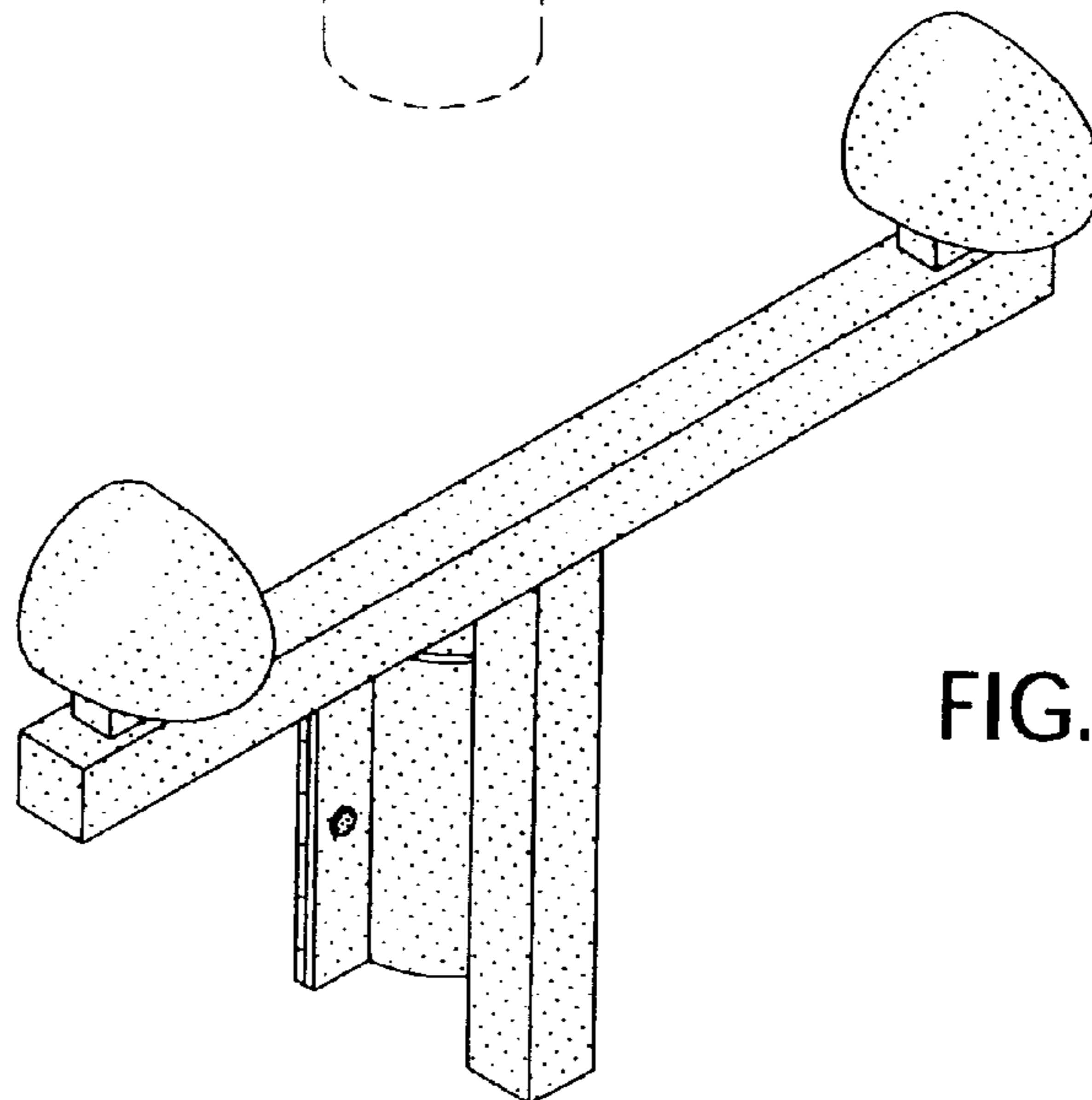


FIG. 2

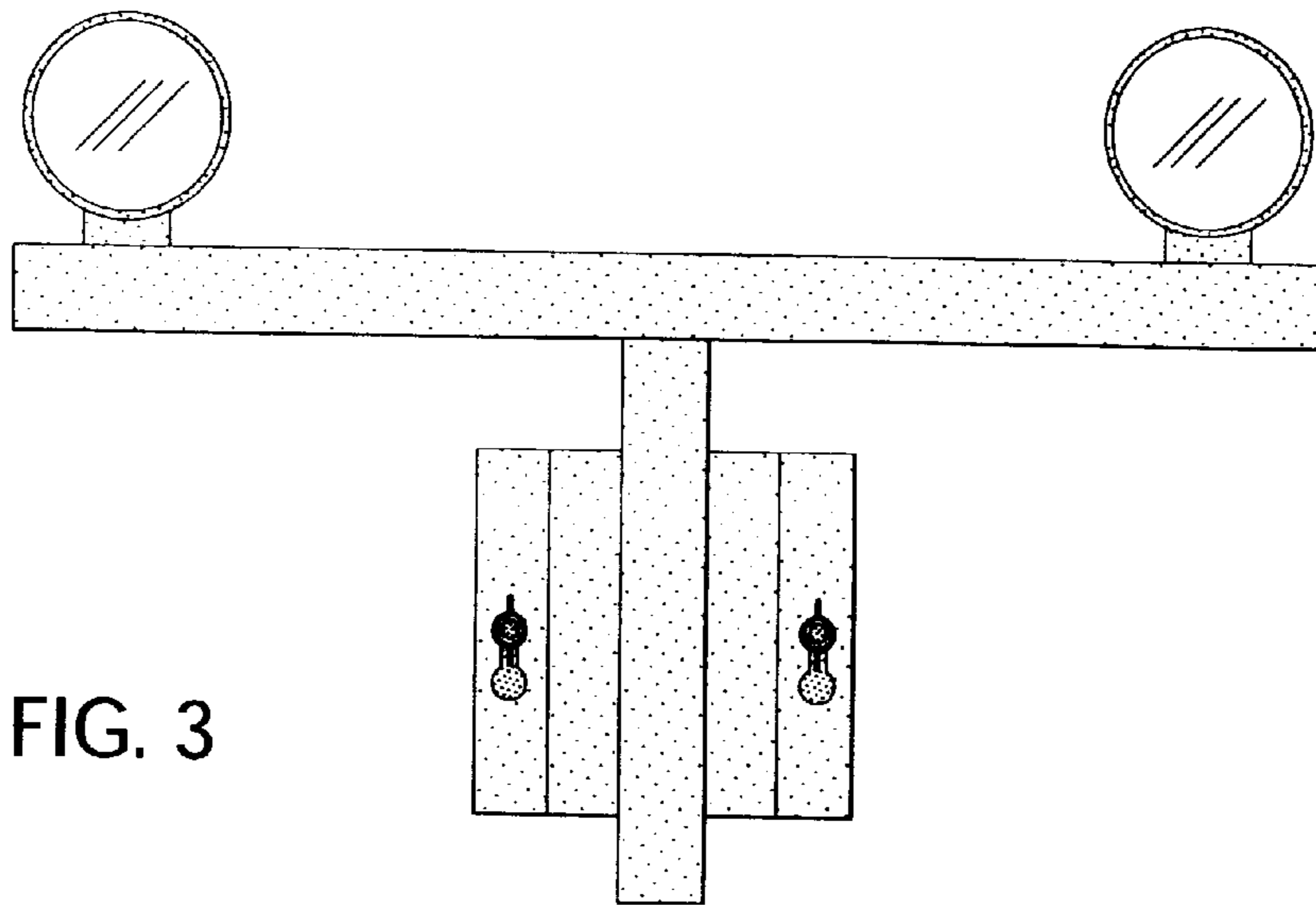


FIG. 3

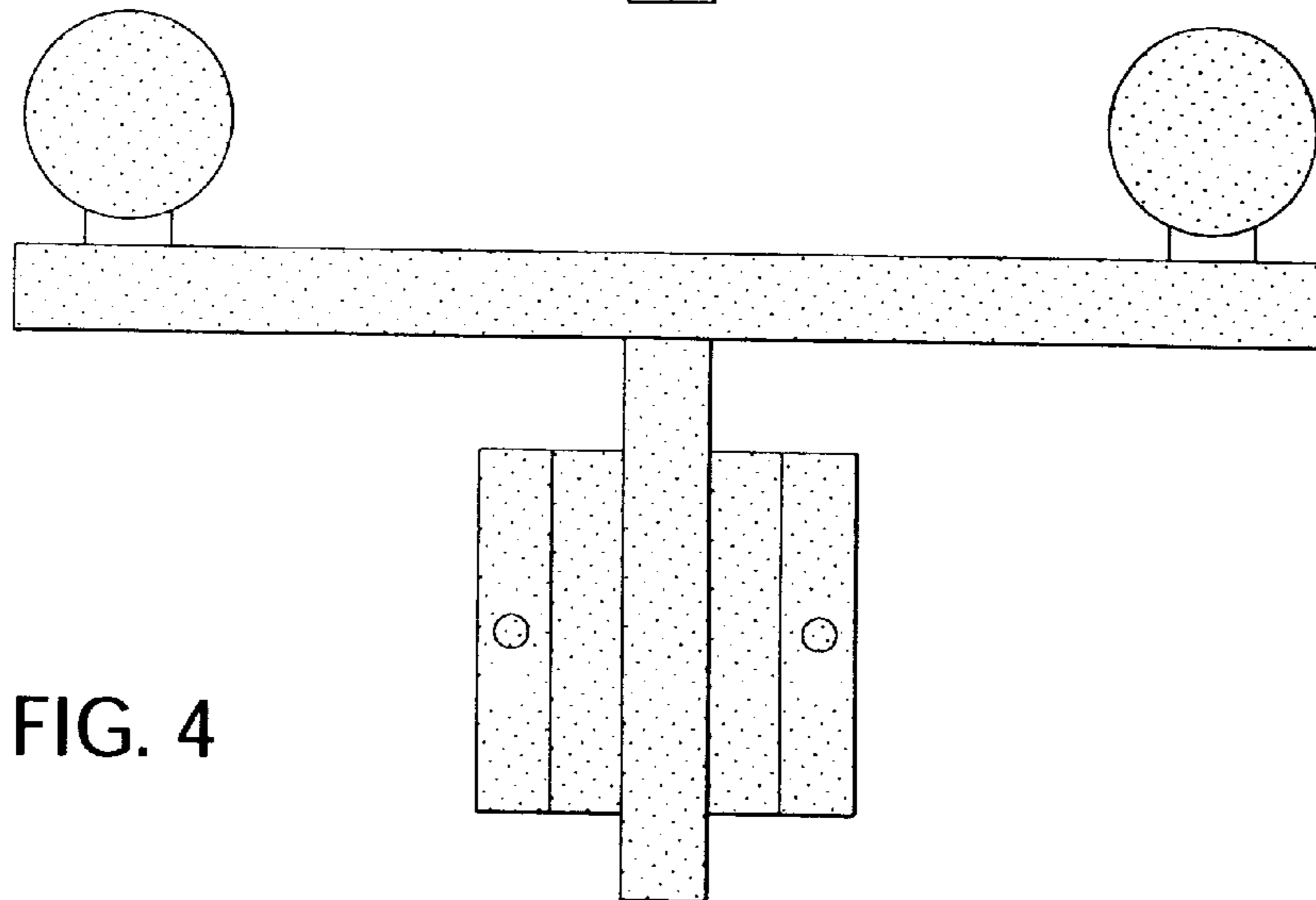


FIG. 4

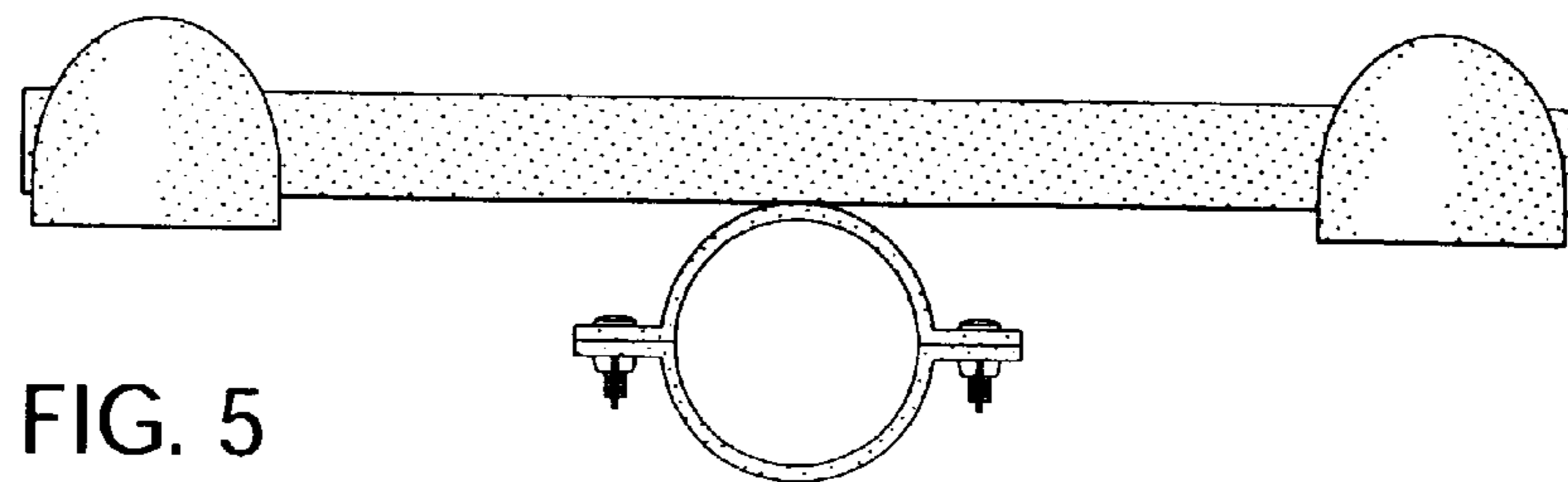


FIG. 5

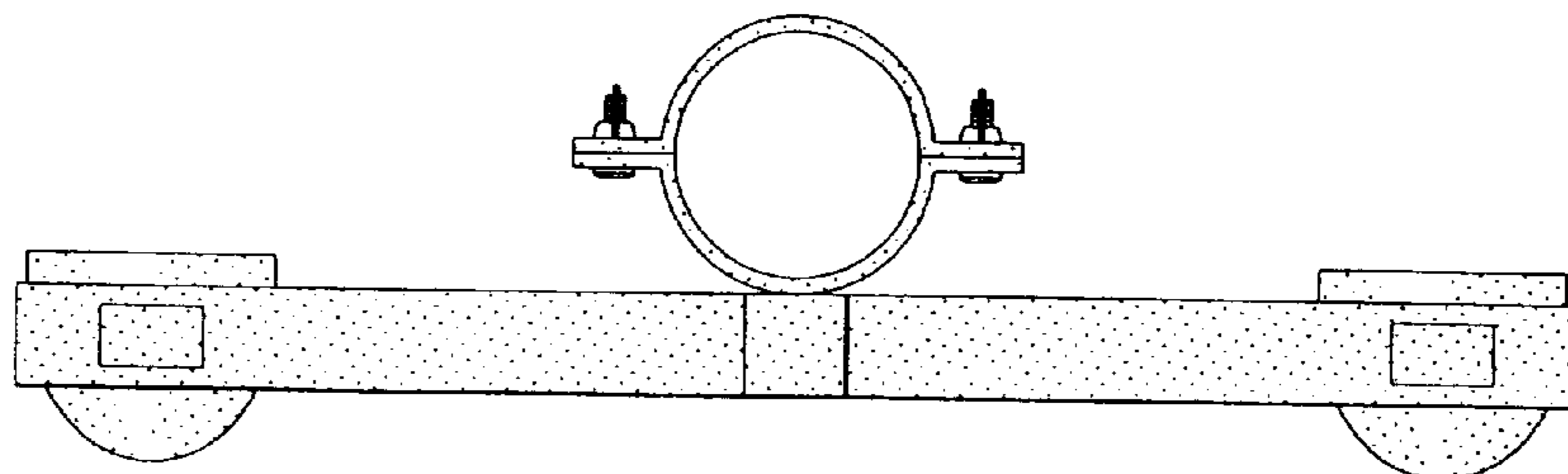


FIG. 6

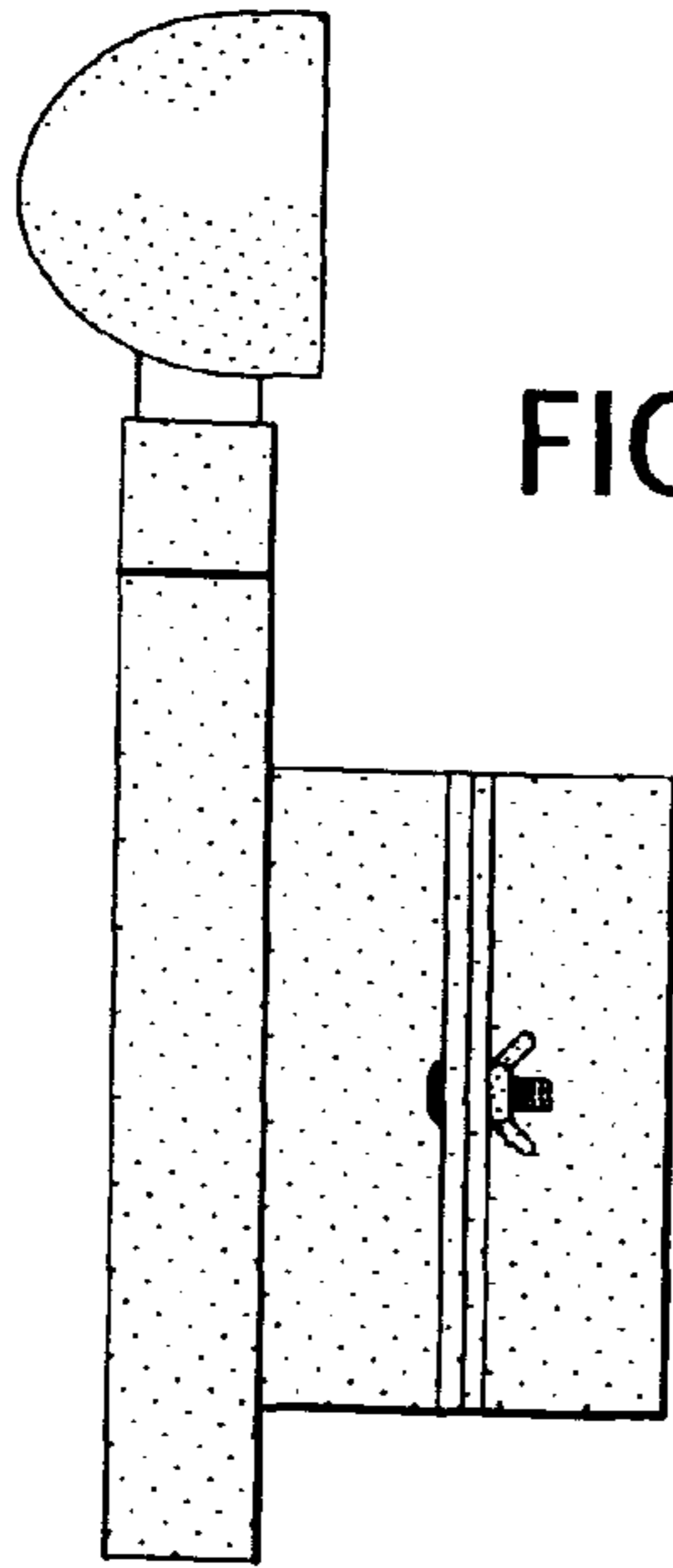


FIG. 7

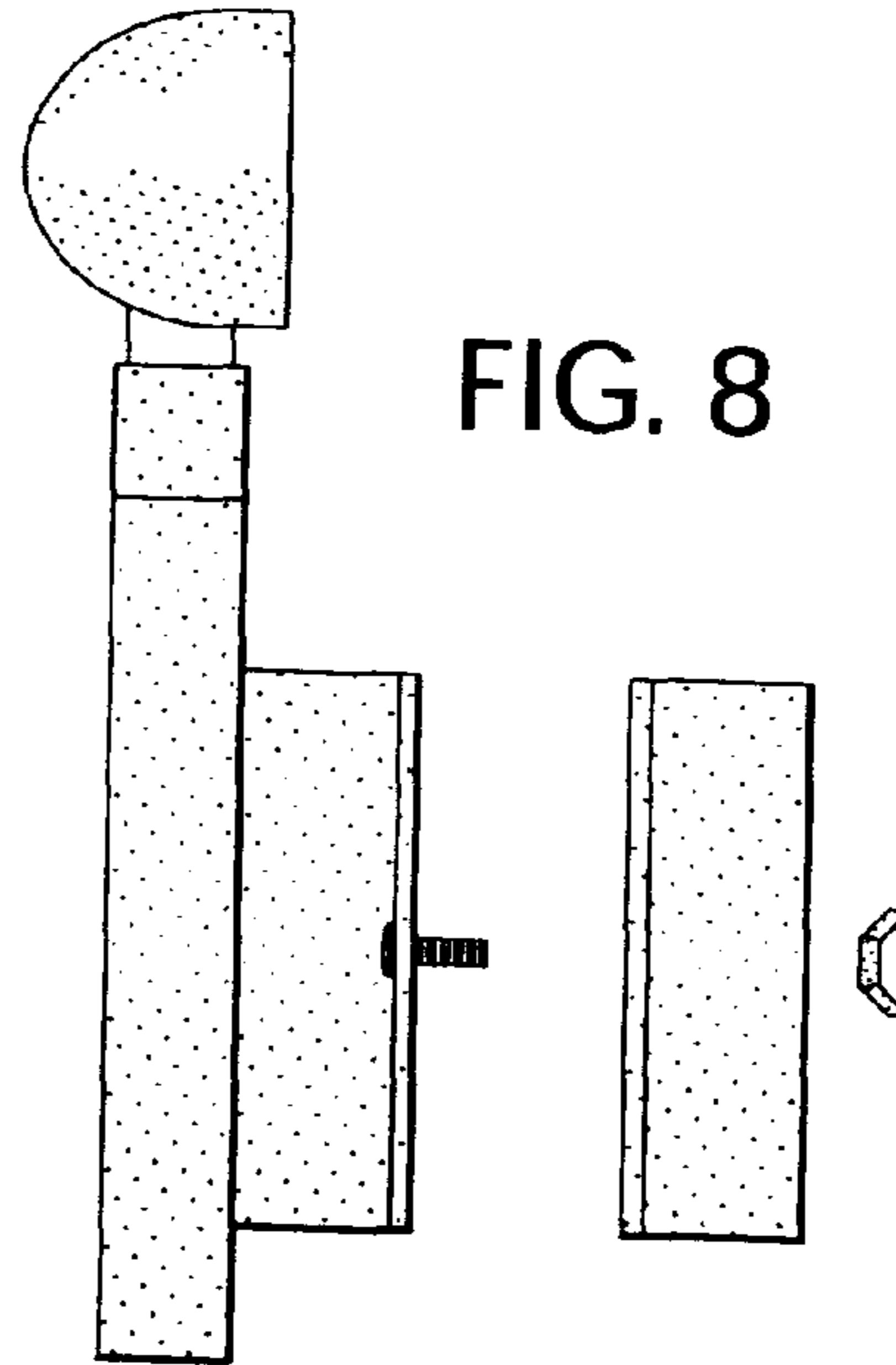


FIG. 8

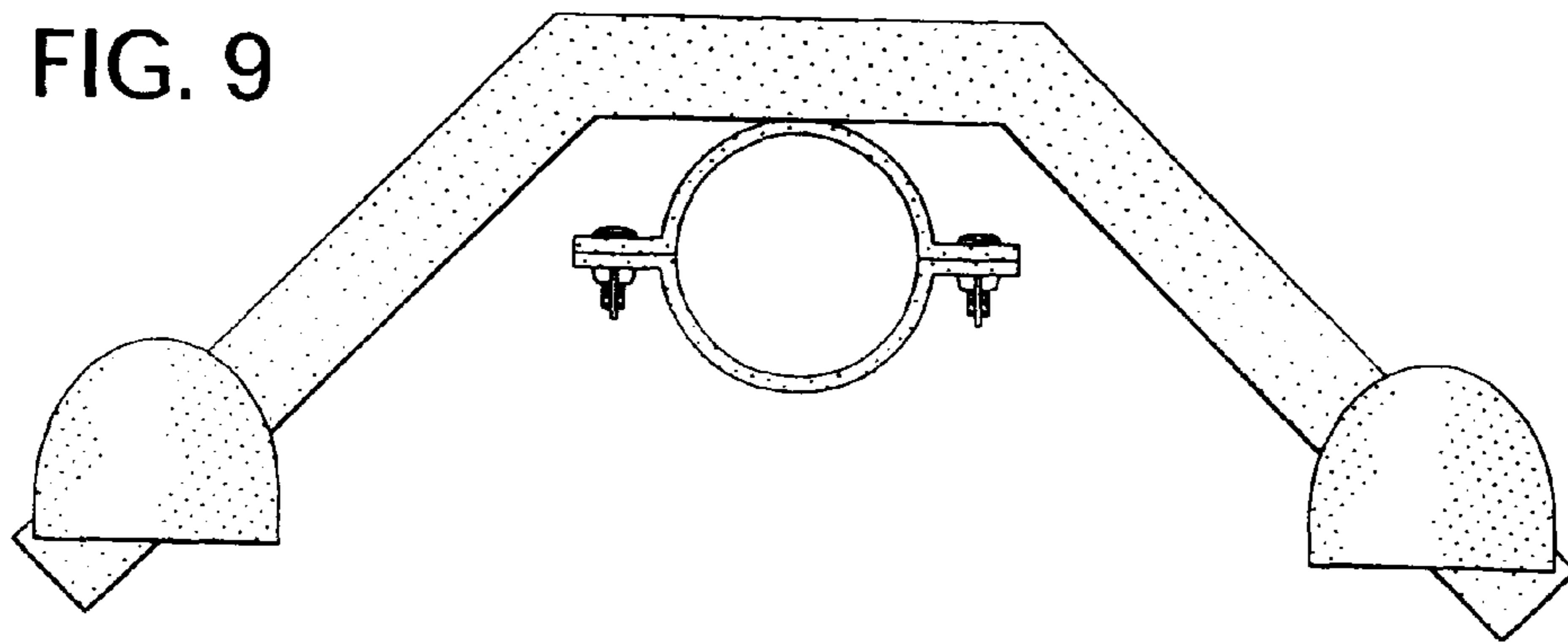


FIG. 9

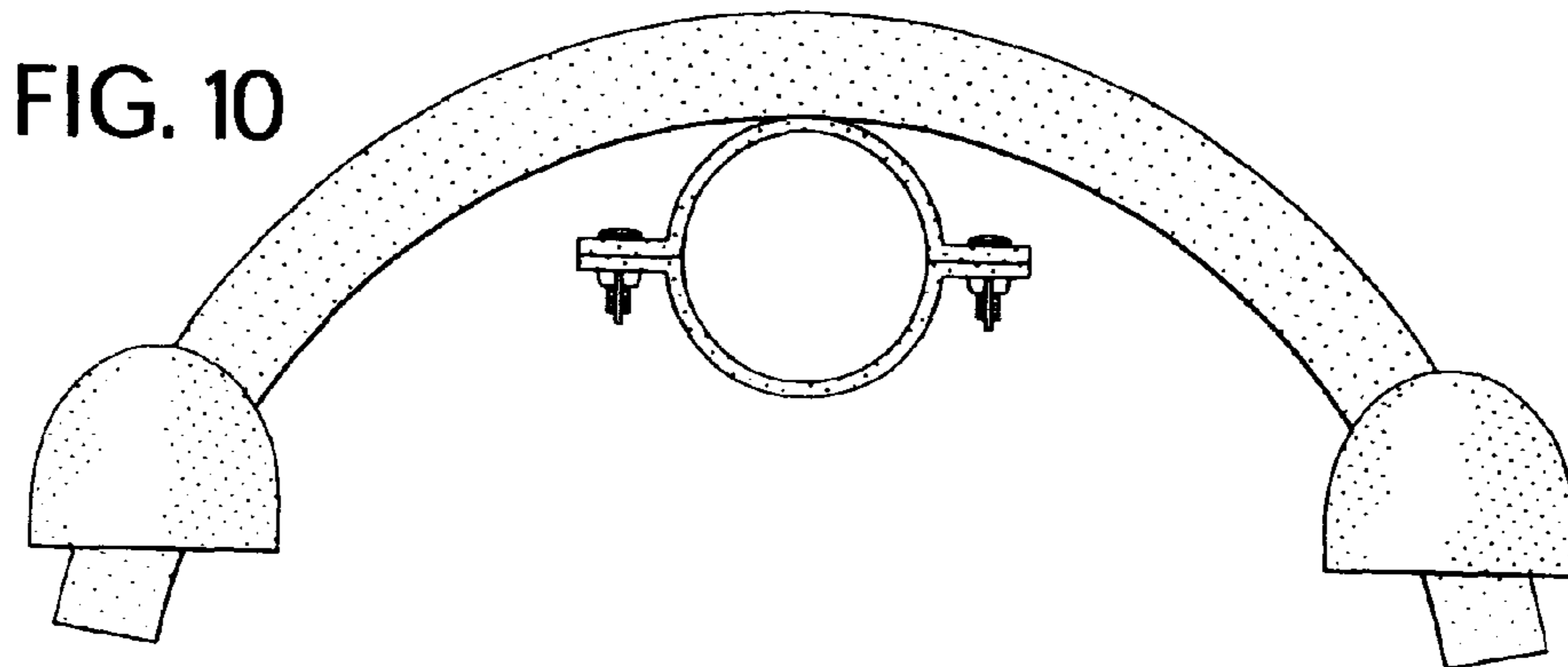


FIG. 10