



US00D475470S

(12) **United States Design Patent**
Oakley

(10) **Patent No.:** **US D475,470 S**

(45) **Date of Patent:** **** Jun. 3, 2003**

(54) **CONTROL JOINT FORM FOR CONCRETE FORMATION**

Primary Examiner—Doris Clark
(74) *Attorney, Agent, or Firm*—Wegman, Hessler & Vanderburg

(76) **Inventor:** **Brett Oakley**, Mar-Flex Systems, Inc.
6866 Chrisman La., Middletown, OH
(US) 45042

(57) **CLAIM**

(**) **Term:** **14 Years**

The ornamental design for a control joint form for concrete formation, as shown and described.

(21) **Appl. No.:** **29/166,211**

DESCRIPTION

(22) **Filed:** **Aug. 23, 2002**

FIG. 1 is a perspective view of the control joint form of the present invention;

(51) **LOC (7) Cl.** **25-99**

FIG. 2 is a front elevational view;

(52) **U.S. Cl.** **D25/199**

FIG. 3 is a rear elevational view;

(58) **Field of Search** D25/61, 199; 52/2.15

FIG. 4 is a left side elevational view;

(56) **References Cited**

FIG. 5 is a right side elevational view;

U.S. PATENT DOCUMENTS

FIG. 6 is a top plan view; and,

D216,586 S * 2/1970 Barrett et al. D25/199

FIG. 7 is a bottom plan view.

D236,477 S * 8/1975 Niendorf D25/199

* cited by examiner

1 Claim, 4 Drawing Sheets

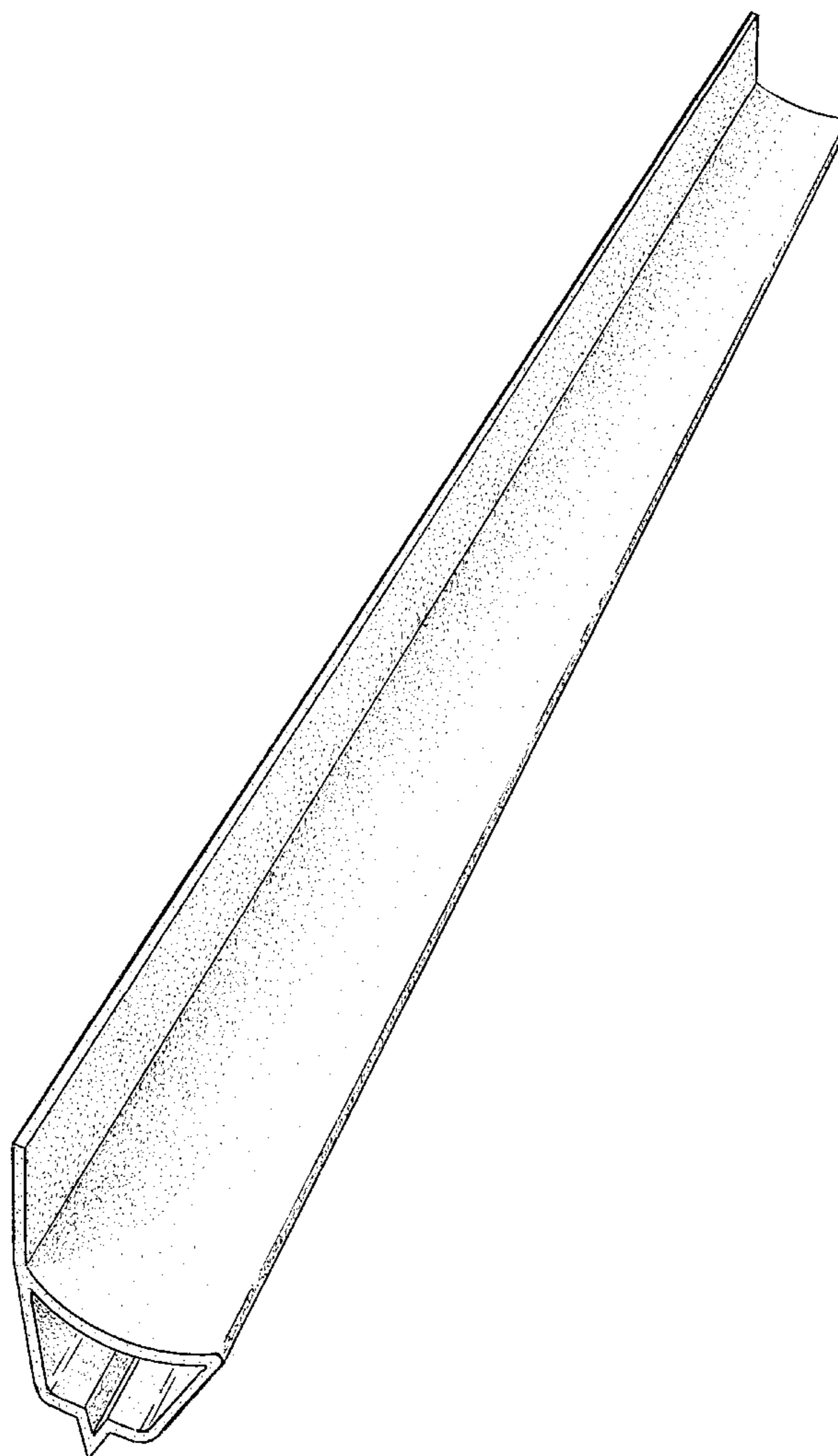


FIG-1

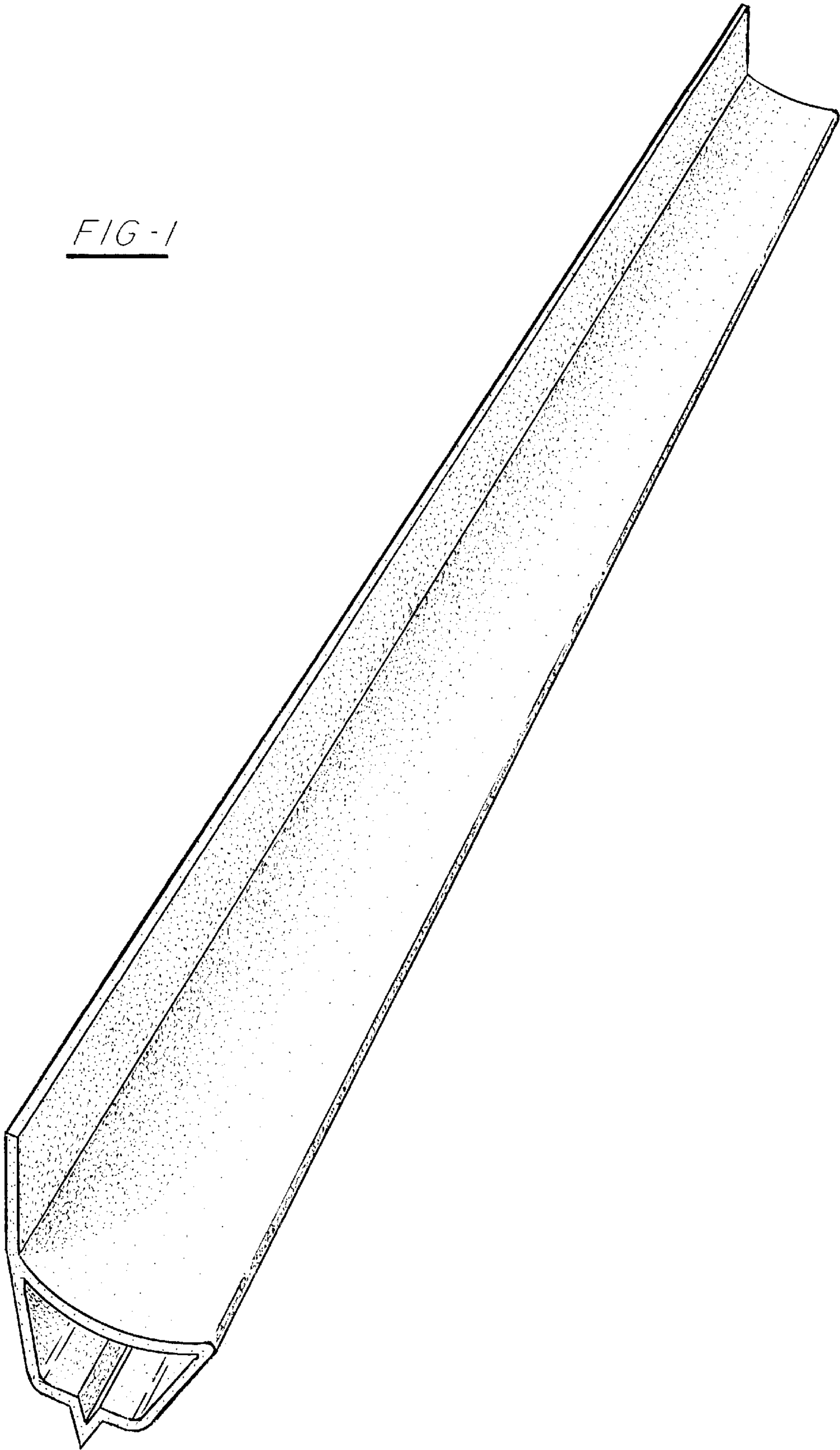


FIG - 2

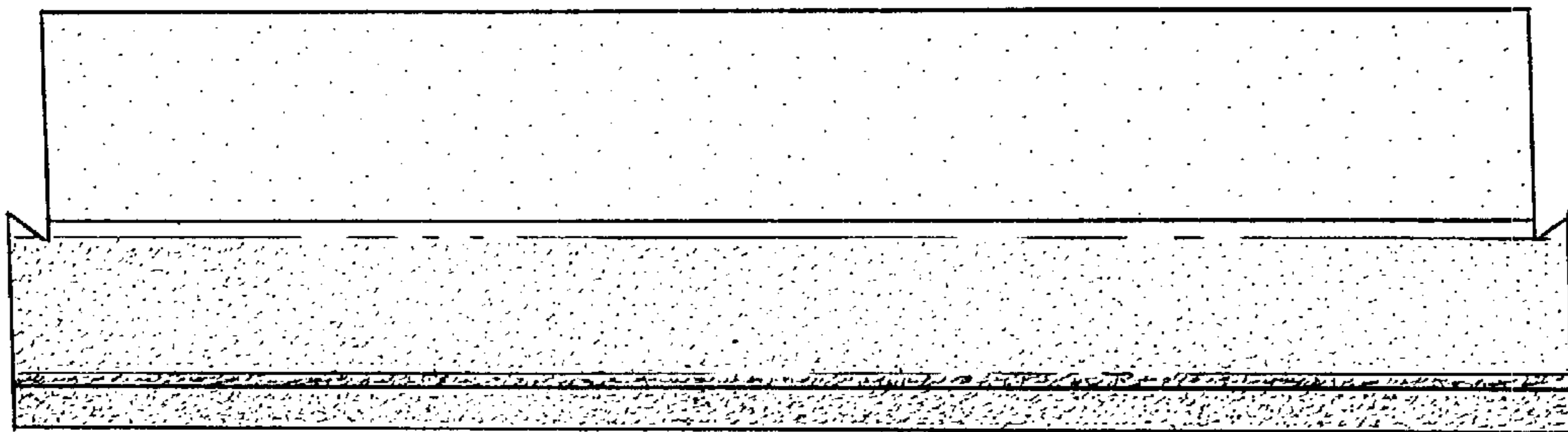


FIG - 3

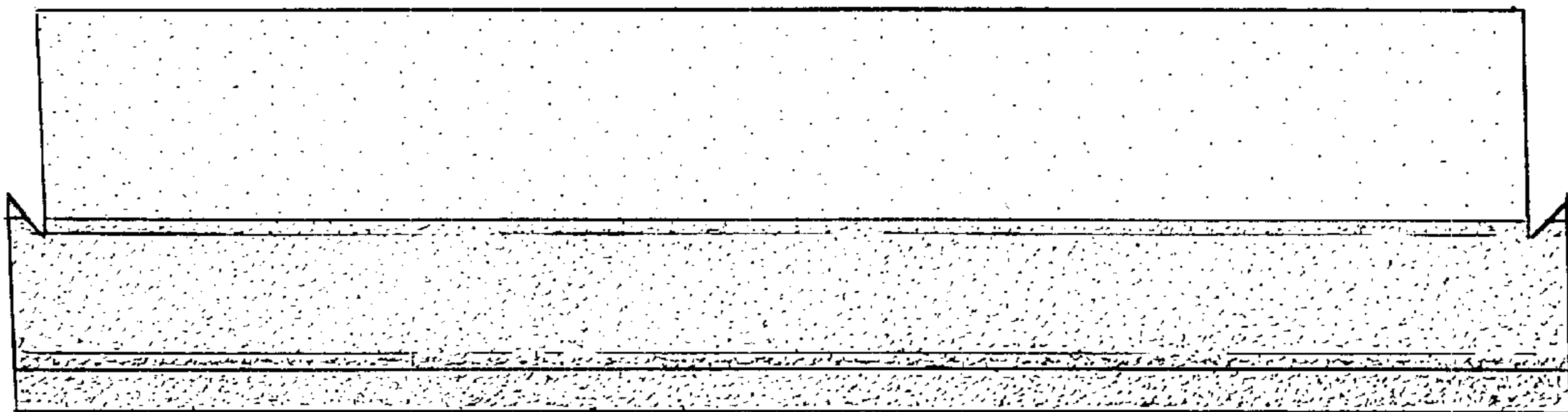


FIG - 4

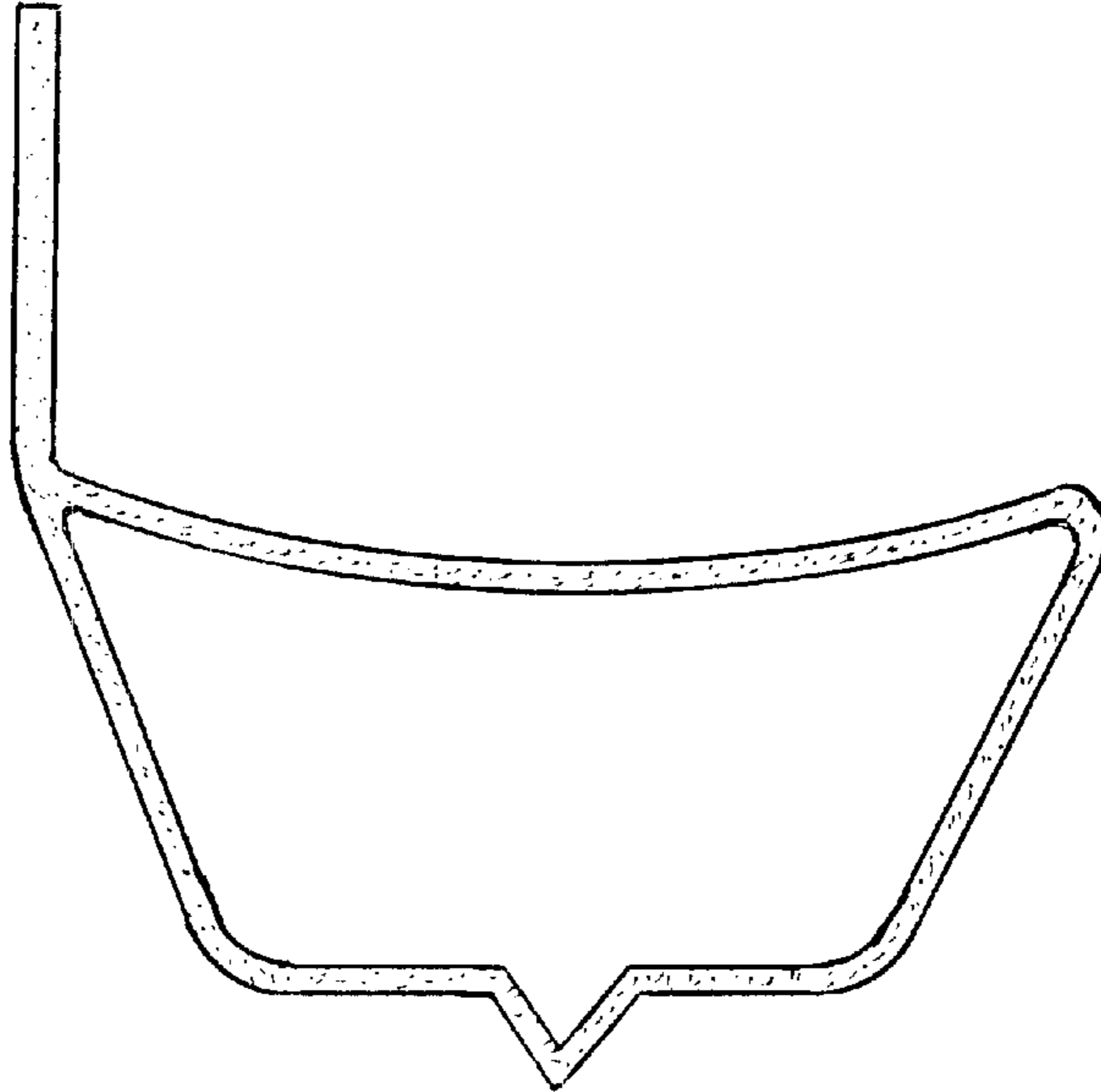


FIG - 5

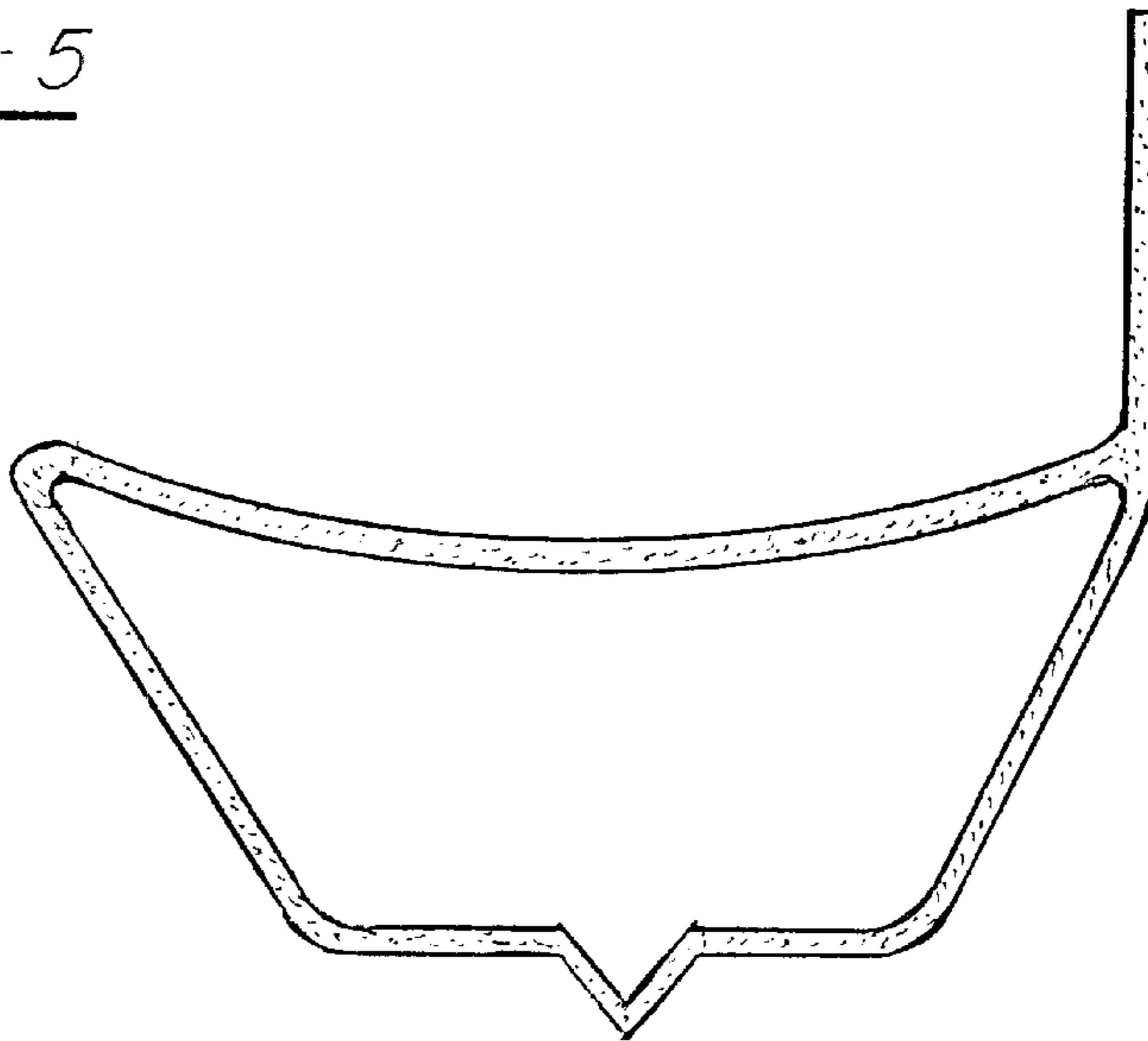


FIG - 6

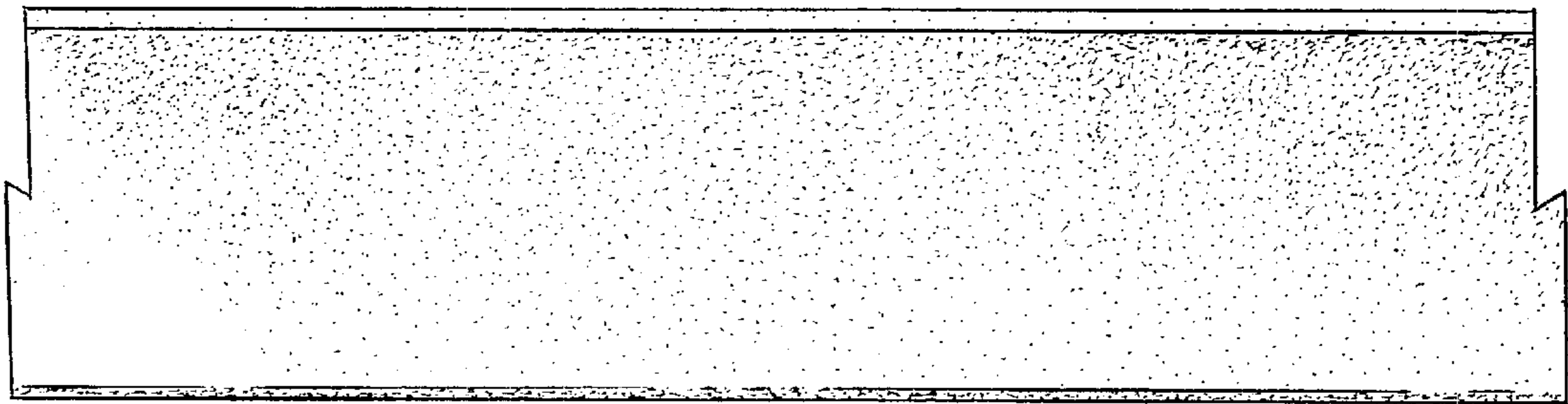


FIG - 7

