



US00D475461S

(12) **United States Design Patent**
Takagi et al.

(10) **Patent No.:** **US D475,461 S**

(45) **Date of Patent:** **** Jun. 3, 2003**

(54) **FILTER FOR MEDICAL PURPOSE**

(75) Inventors: **Nobuo Takagi**, Osaka (JP); **Naohiro Atsumi**, Osaka (JP); **Taku Numao**, Osaka (JP)

(73) Assignee: **Nipro Corporation**, Osaka (JP)

(**) Term: **14 Years**

(21) Appl. No.: **29/165,619**

(22) Filed: **Aug. 15, 2002**

(30) **Foreign Application Priority Data**

Feb. 15, 2002 (JP) 2002-003802

(51) **LOC (7) Cl.** **24-01**

(52) **U.S. Cl.** **D24/162**

(58) **Field of Search** D24/162; 210/205.12, 210/205.29, 203.12, 201.13, 493.1-493.5, 203.25; 55/498, 514, DIG. 35

(56) **References Cited**

U.S. PATENT DOCUMENTS

D260,175 S * 8/1981 Hein et al. D24/162
5,035,236 A * 7/1991 Kanegaonkar 128/201.13

5,195,527 A * 3/1993 Hicks 128/205.12
5,320,096 A * 6/1994 Hans 128/205.29
D358,213 S * 5/1995 Sutton et al. D24/162
D367,532 S * 2/1996 Sirianne et al. D24/162

* cited by examiner

Primary Examiner—Stella Reid

(74) *Attorney, Agent, or Firm*—Birch, Stewart, Kolasch & Birch, LLP

(57) **CLAIM**

The ornamental design for a filter for medical purpose, as shown and described.

DESCRIPTION

FIG. 1 is a front perspective view of a filter for medical purpose;
FIG. 2 is a rear perspective thereof;
FIG. 3 is a front view thereof, the opposite side being a mirror image of the side shown herein;
FIG. 4 is a right side view the opposite side being a mirror image of the side shown herein;
FIG. 5 is a top view thereof; and,
FIG. 6 is a bottom view thereof.

1 Claim, 3 Drawing Sheets

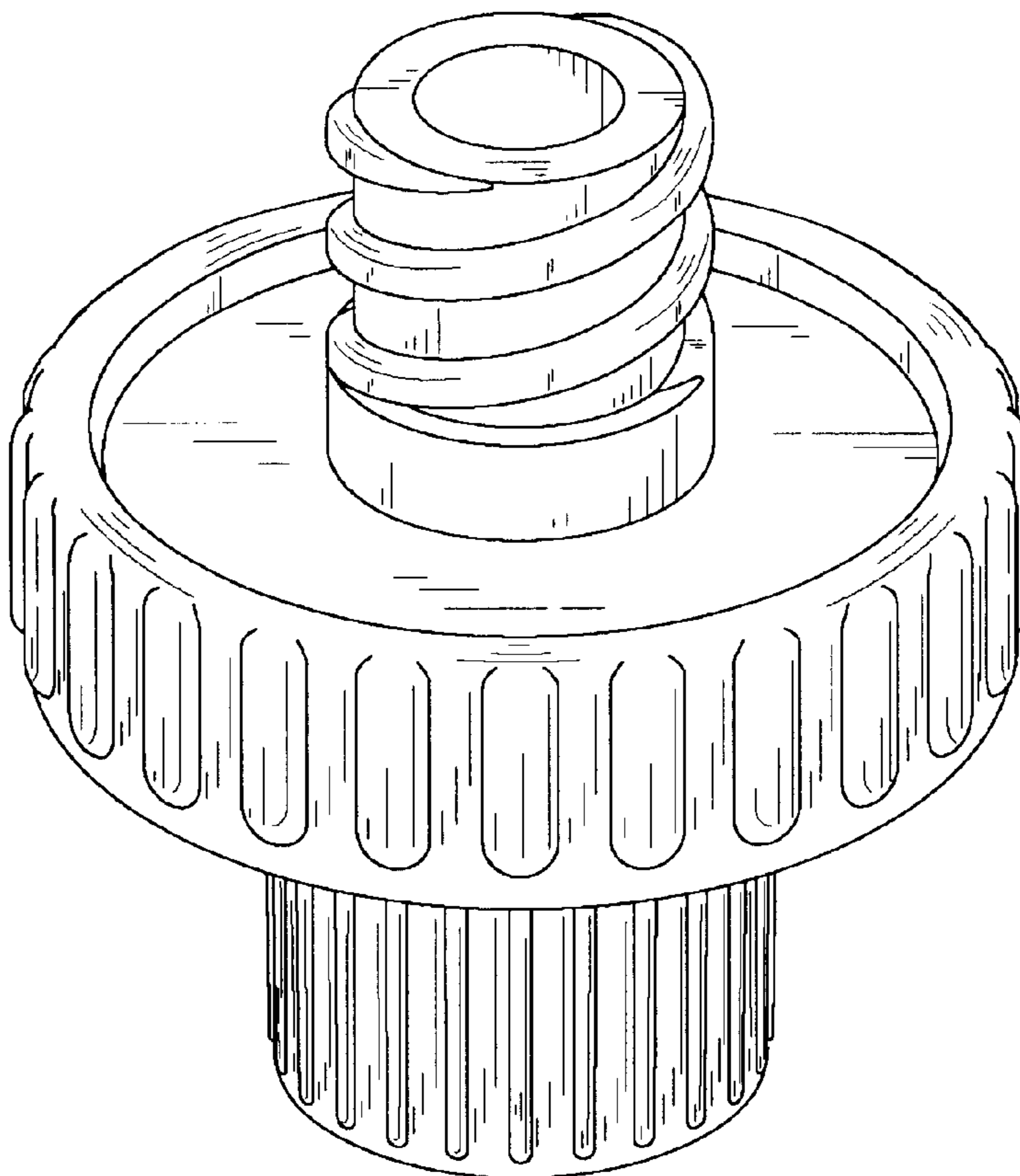


FIG. 1

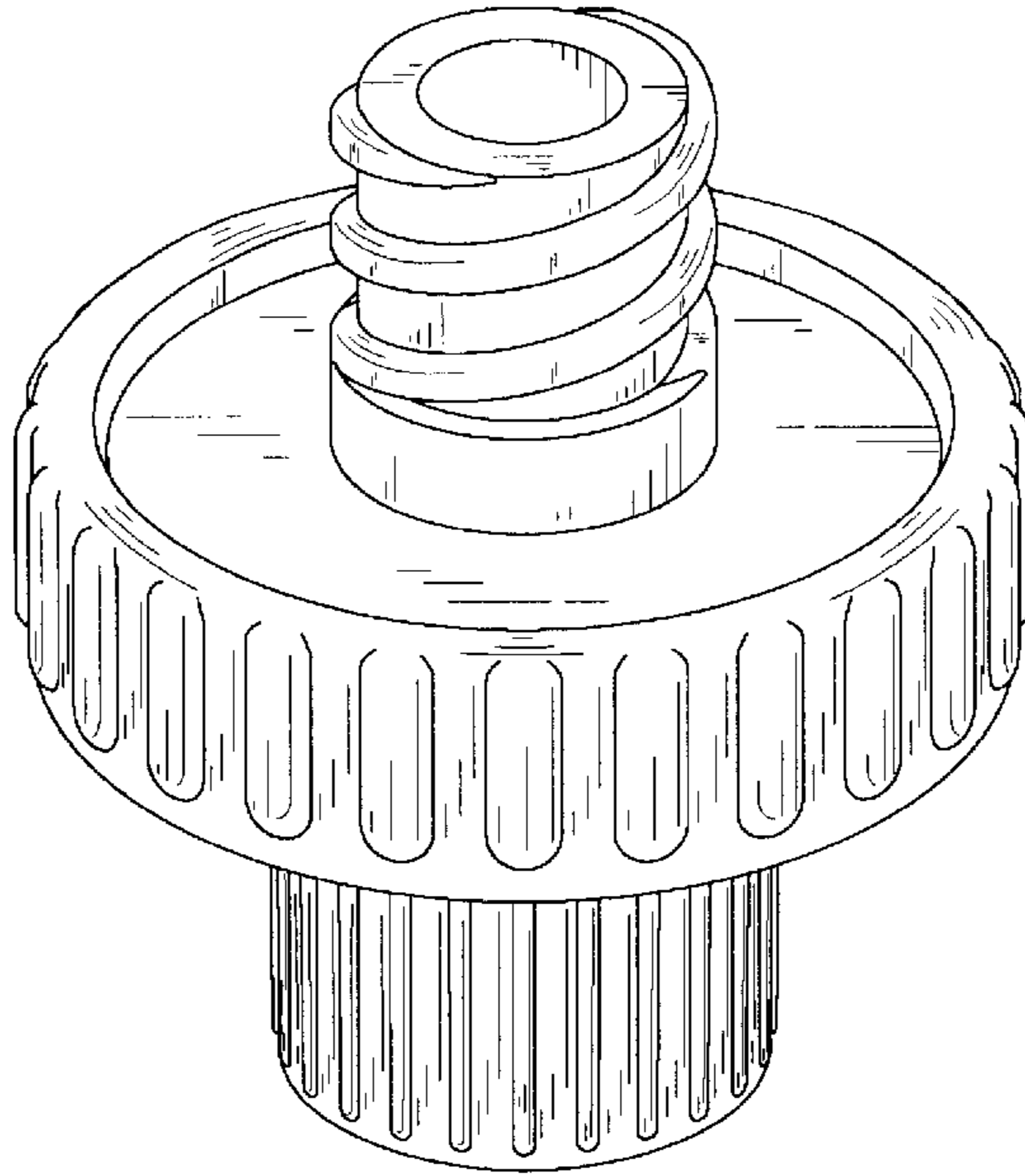


FIG. 2

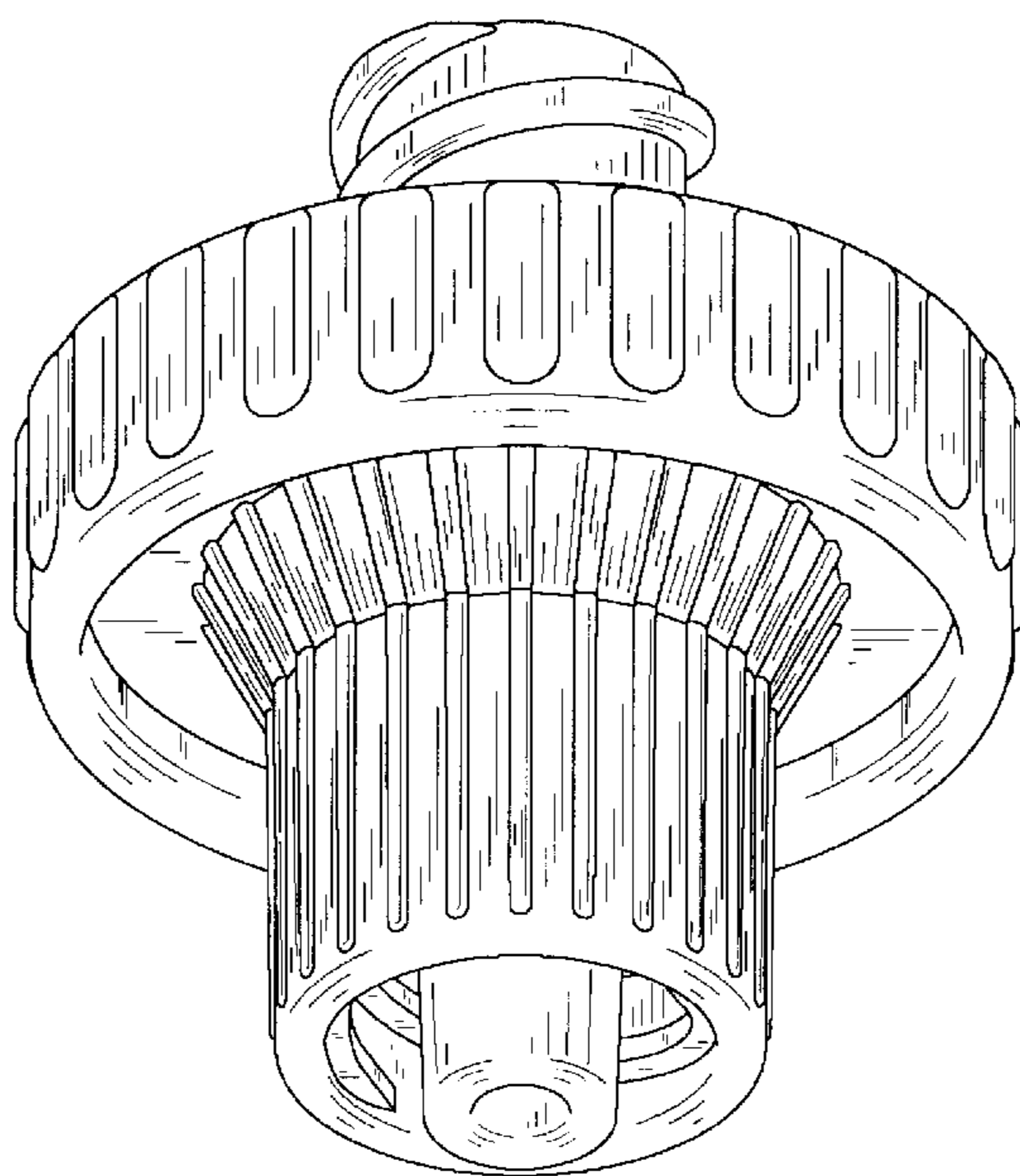


FIG. 3

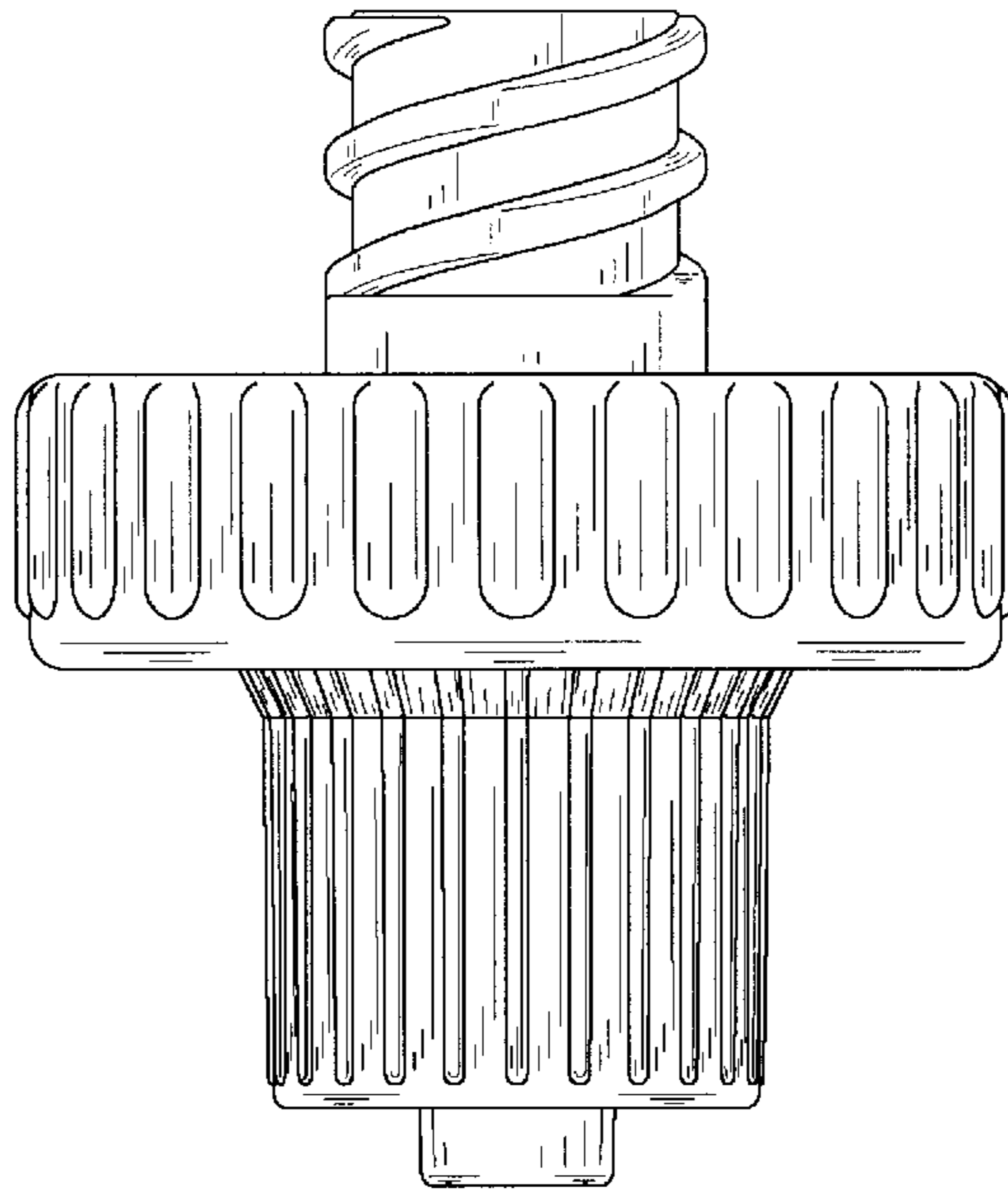


FIG. 4

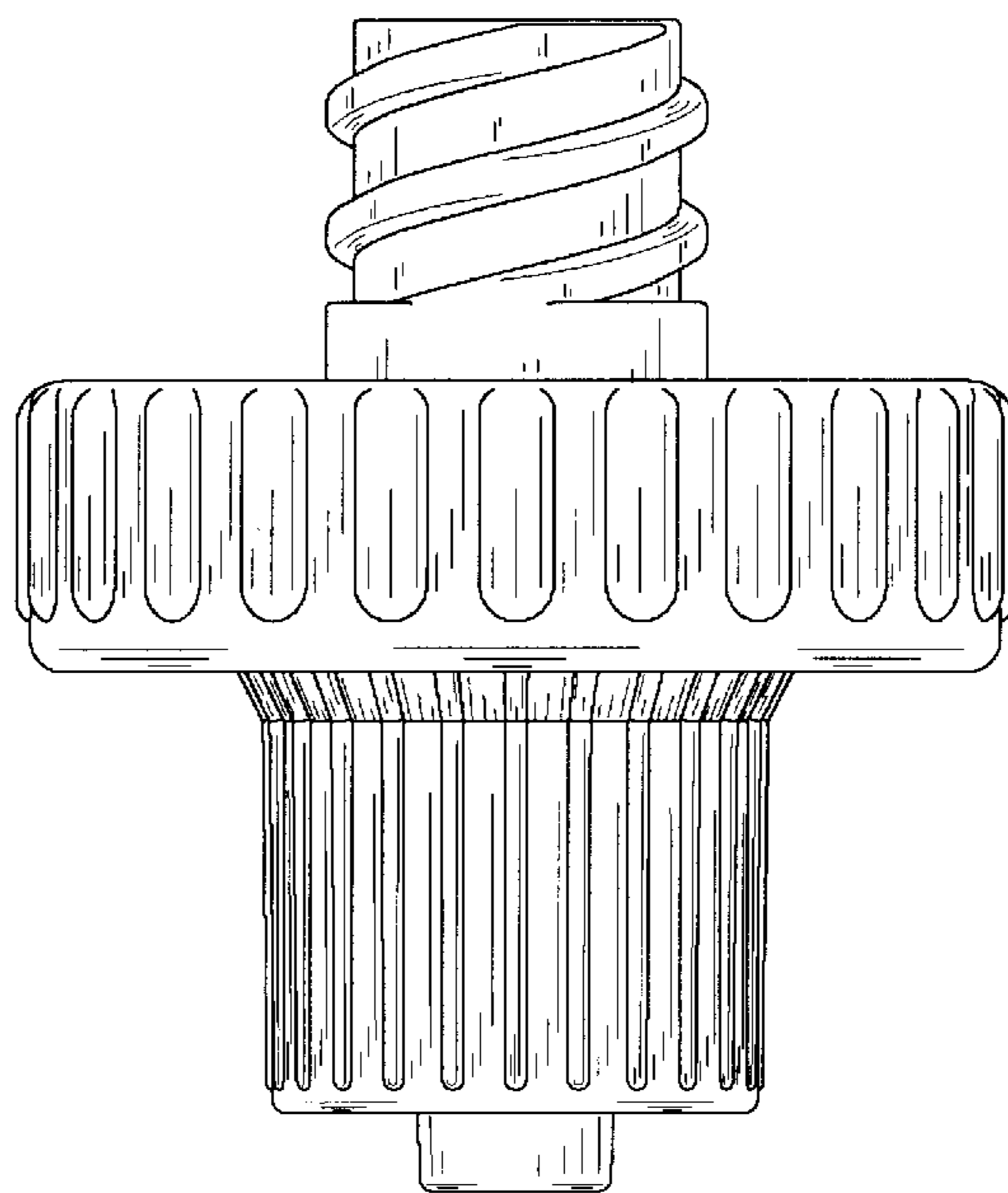


FIG. 5

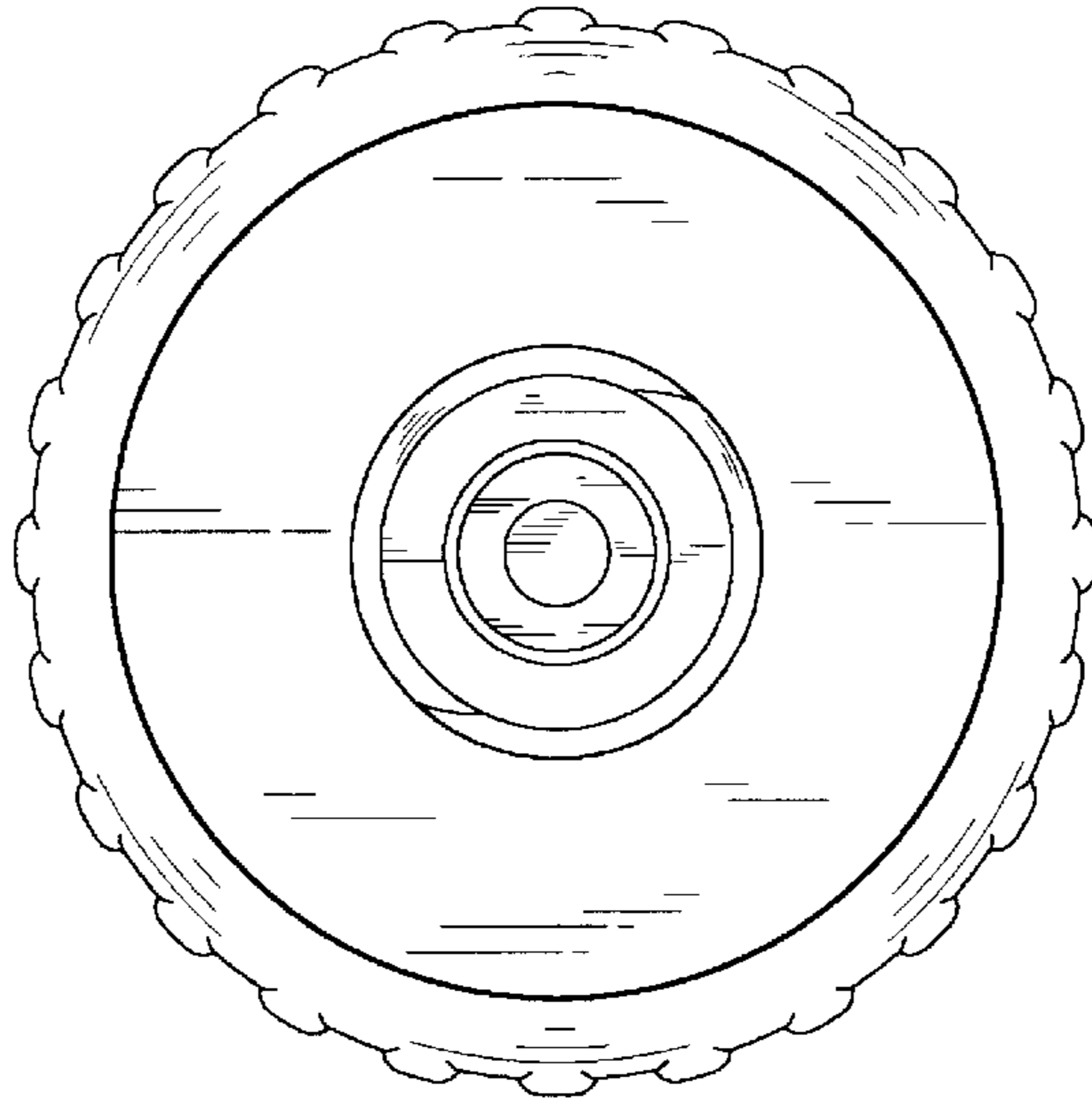


FIG. 6

