



US00D475458S

(12) **United States Design Patent**
Denolly

(10) **Patent No.:** **US D475,458 S**

(45) **Date of Patent:** **** Jun. 3, 2003**

(54) **OPERATING HANDLE FOR INSERTING A WIRE-SHAPED ELEMENT IN A CATHETER**

6,066,152 A * 5/2000 Strauss et al. 606/170
6,348,040 B1 * 2/2002 Stalker et al. 600/585
D459,474 S * 6/2002 Bratt et al. D24/133
D464,730 S * 10/2002 Fehse et al. D24/133

(75) Inventor: **Pascal Denolly**, Jardin (FR)

* cited by examiner

(73) Assignee: **SEDAT**, Irigny (FR)

Primary Examiner—Ian Simmons
(74) *Attorney, Agent, or Firm*—Wenderoth, Lind & Ponack, L.L.P.

(**) Term: **14 Years**

(21) Appl. No.: **29/157,245**

(22) Filed: **Mar. 18, 2002**

(57) **CLAIM**

(30) **Foreign Application Priority Data**

The ornamental design for an operating handle for inserting a wire-shaped element in a catheter, as shown.

Sep. 20, 2001 (FR) 01 5510

DESCRIPTION

(51) **LOC (7) Cl.** **24-02**

(52) **U.S. Cl.** **D24/133**

(58) **Field of Search** D24/133, 138,
D24/144; 606/170, 180, 171, 172, 173;
604/103.04, 159, 95.04; 600/585, 434

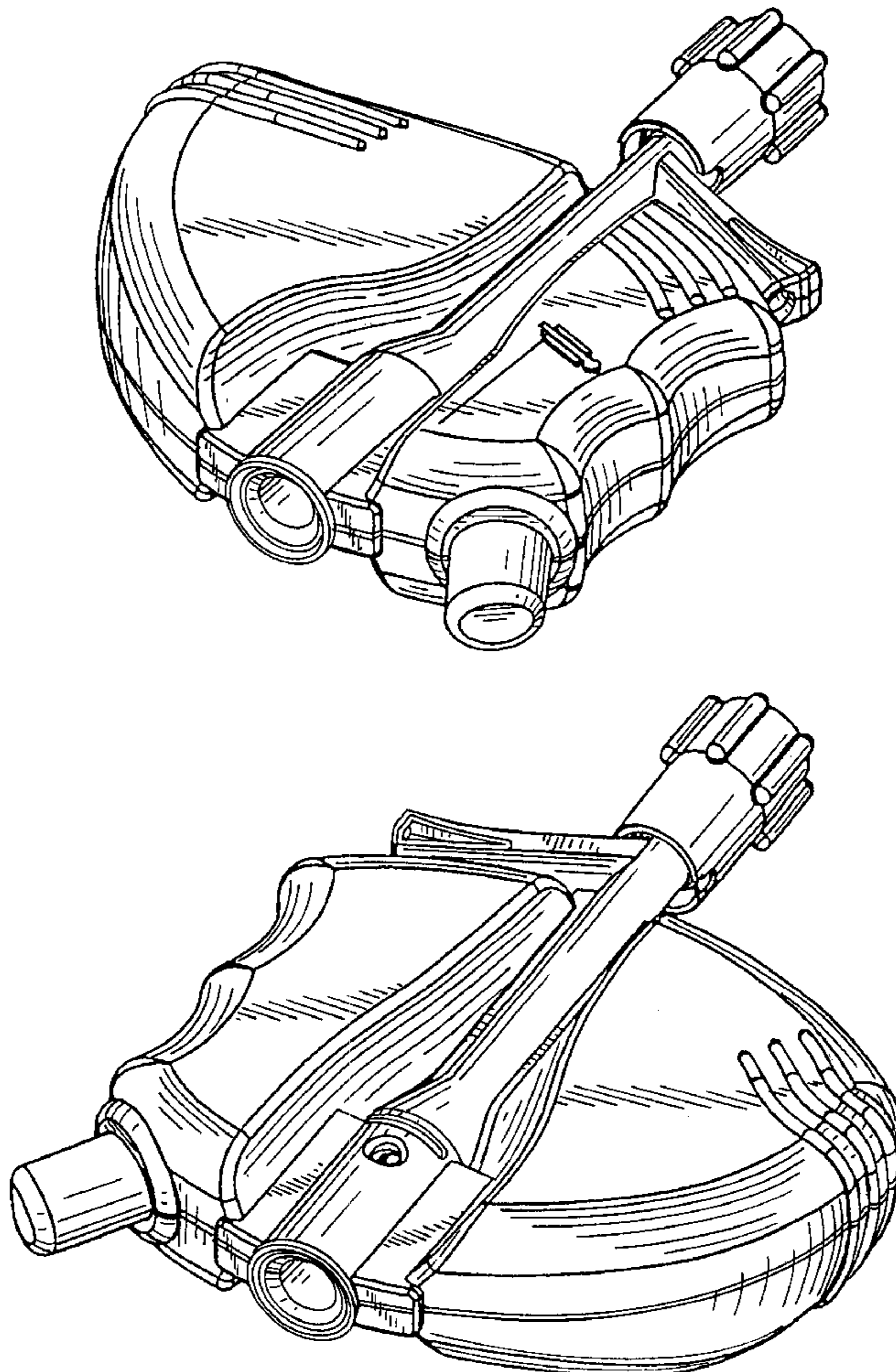
FIG. 1 is a front perspective view.
FIG. 2 is a rear perspective view.
FIG. 3 is a front view in elevation.
FIG. 4 is a rear view in elevation.
FIG. 5 is a top view.
FIG. 6 is a bottom view.
FIG. 7 is a right side view; and,
FIG. 8 is a left side view.

(56) **References Cited**

U.S. PATENT DOCUMENTS

5,460,185 A * 10/1995 Johnson et al. 600/585

1 Claim, 6 Drawing Sheets



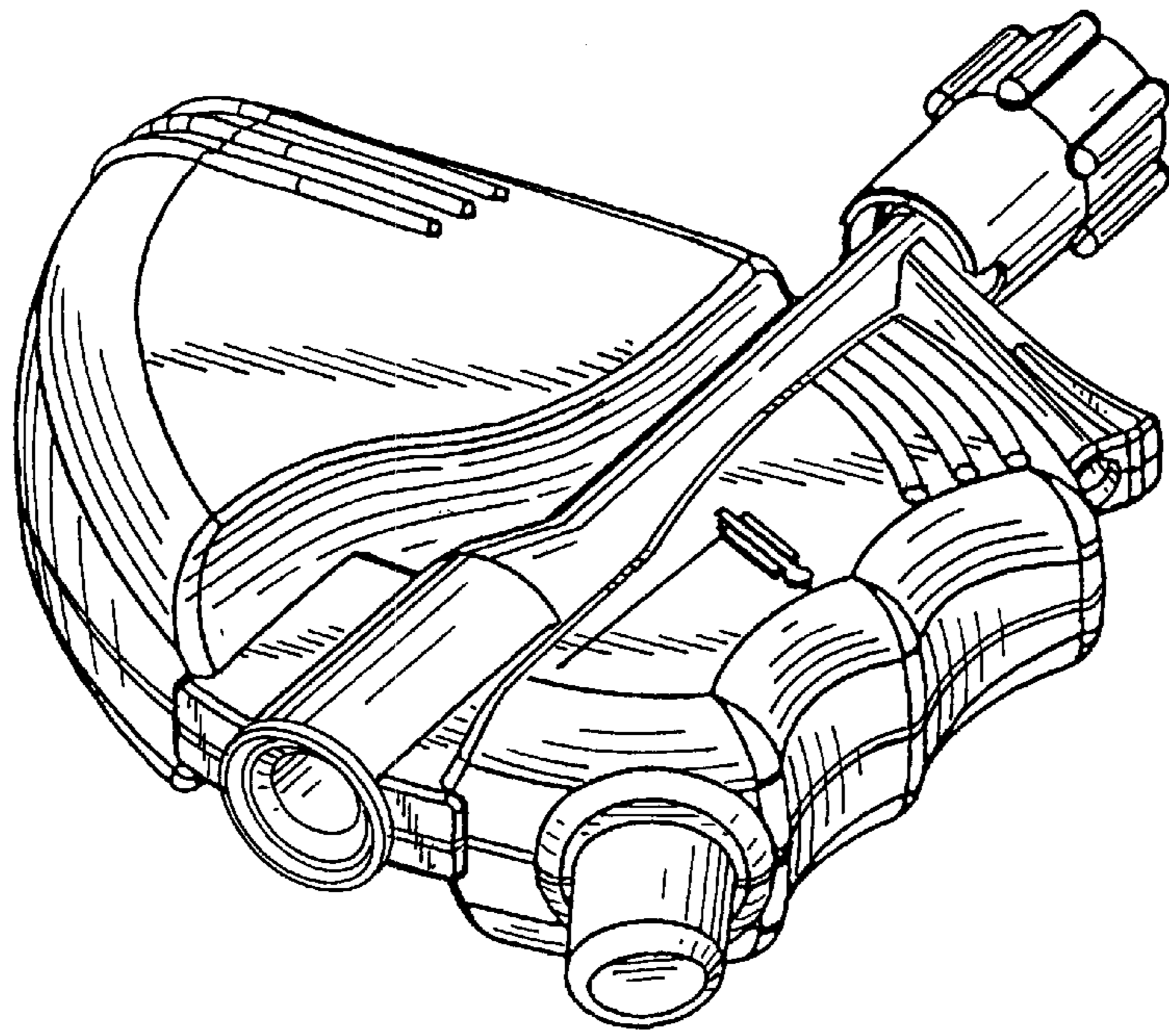


FIG. 1

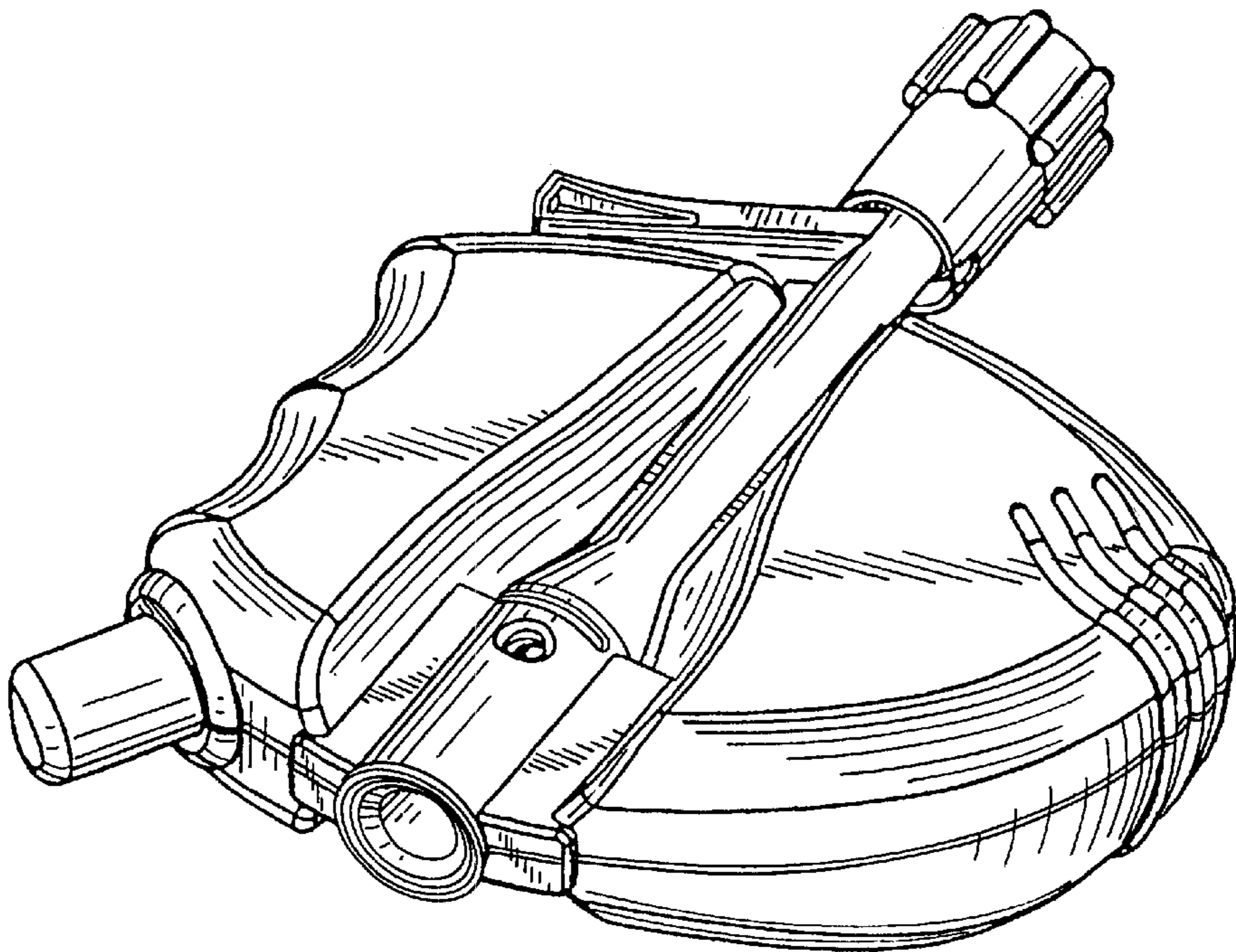


FIG. 2

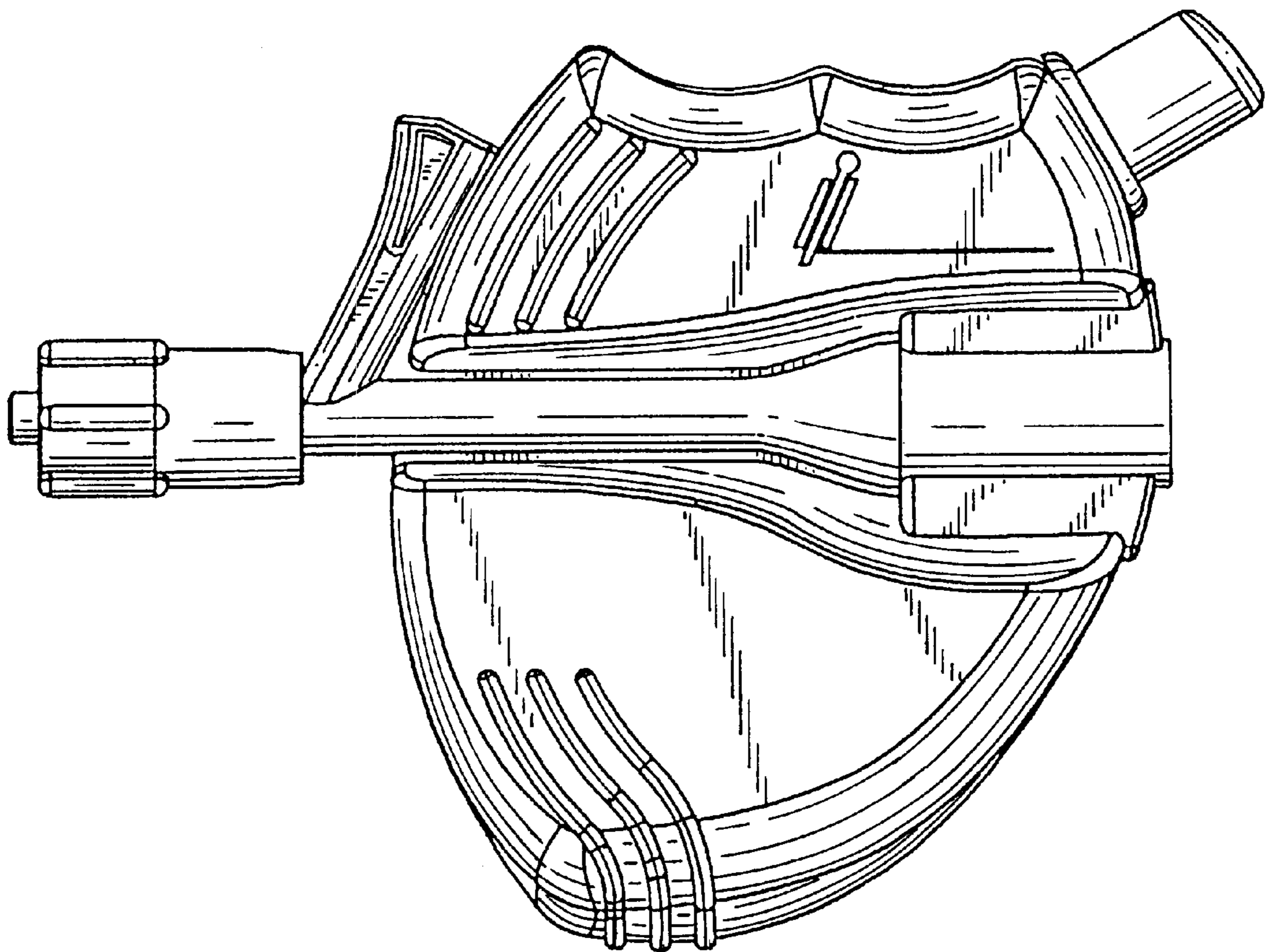


FIG. 3

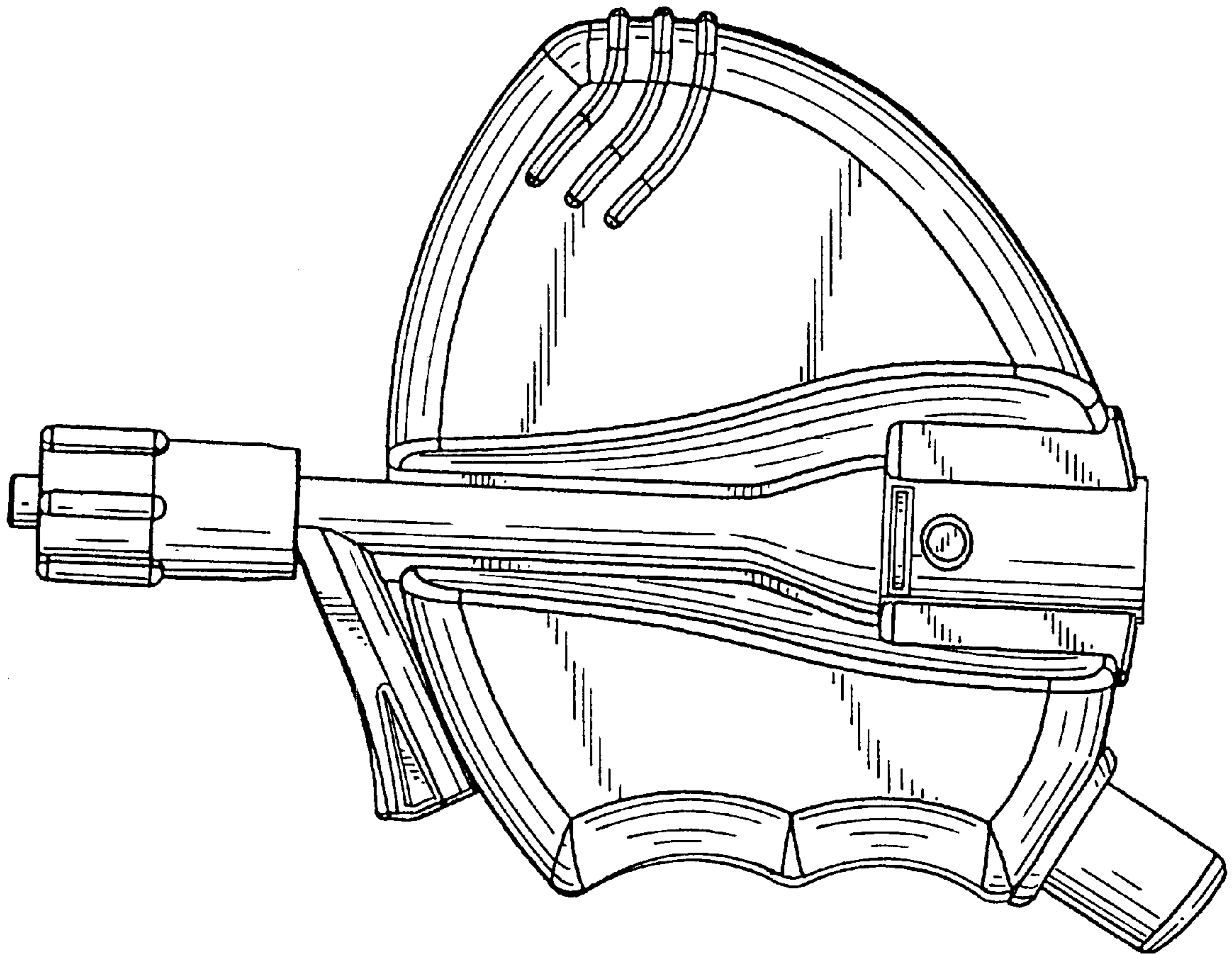


FIG. 4

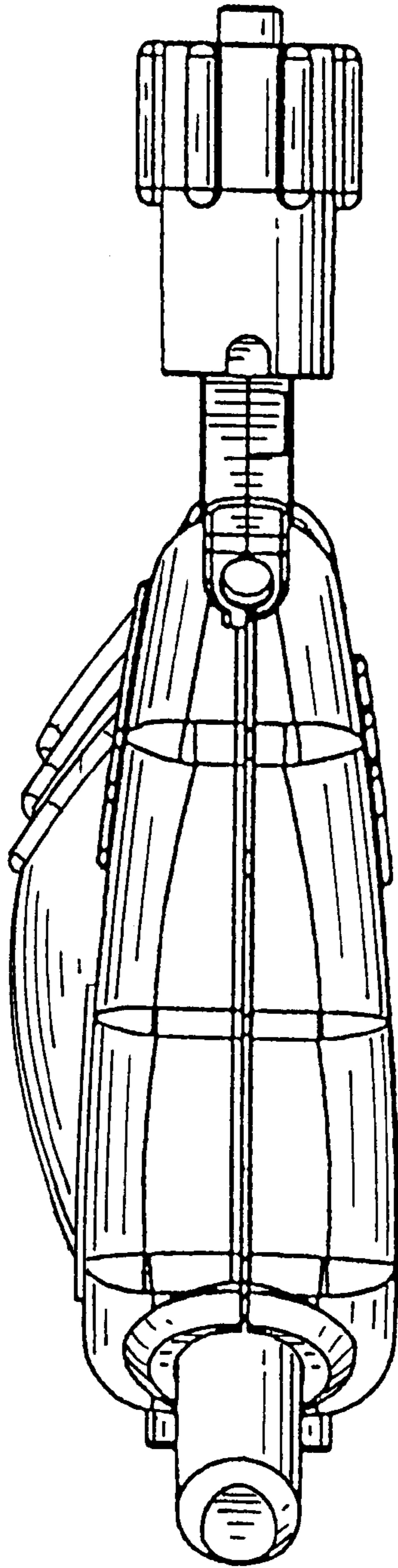


FIG. 5

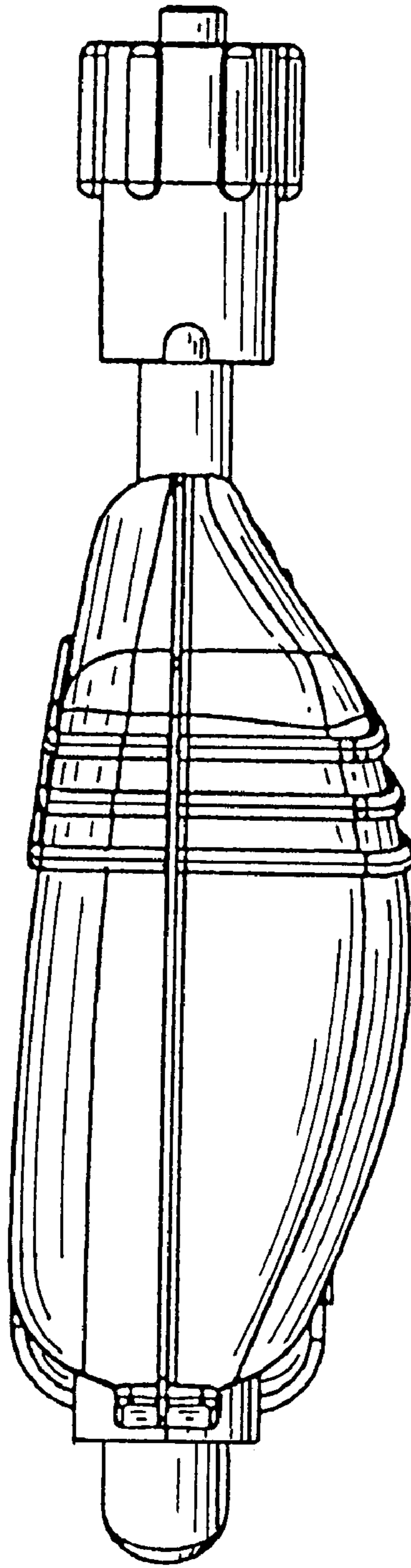


FIG. 6

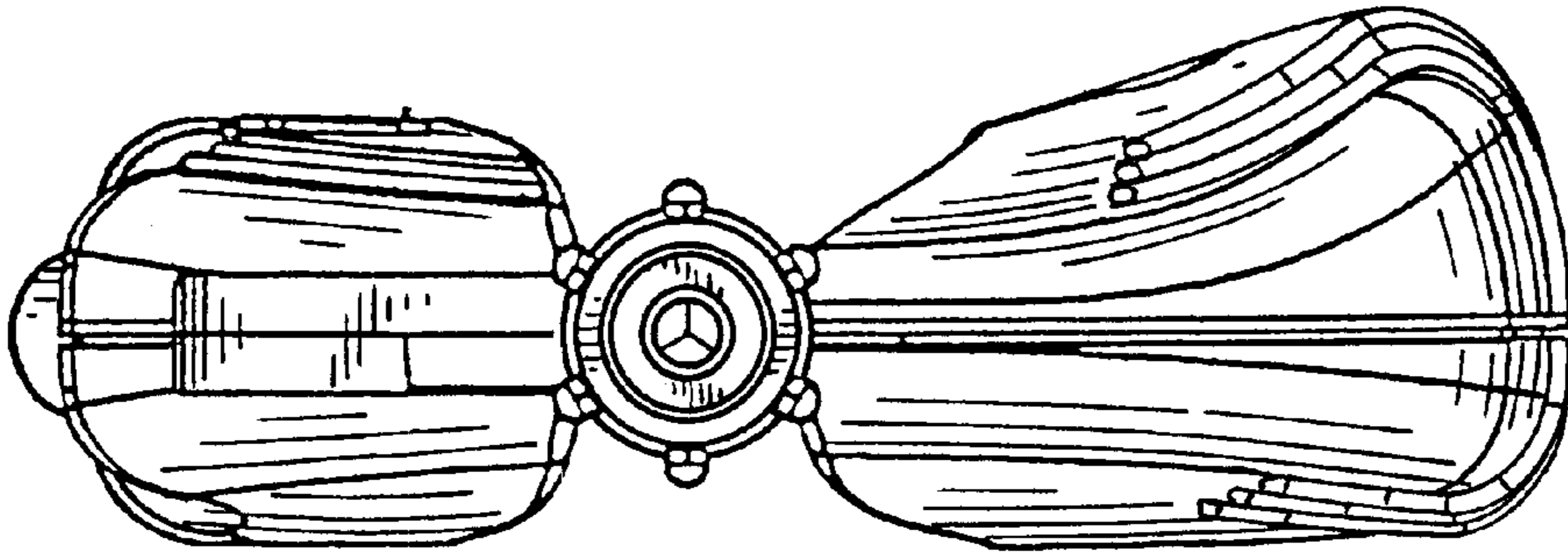


FIG. 8

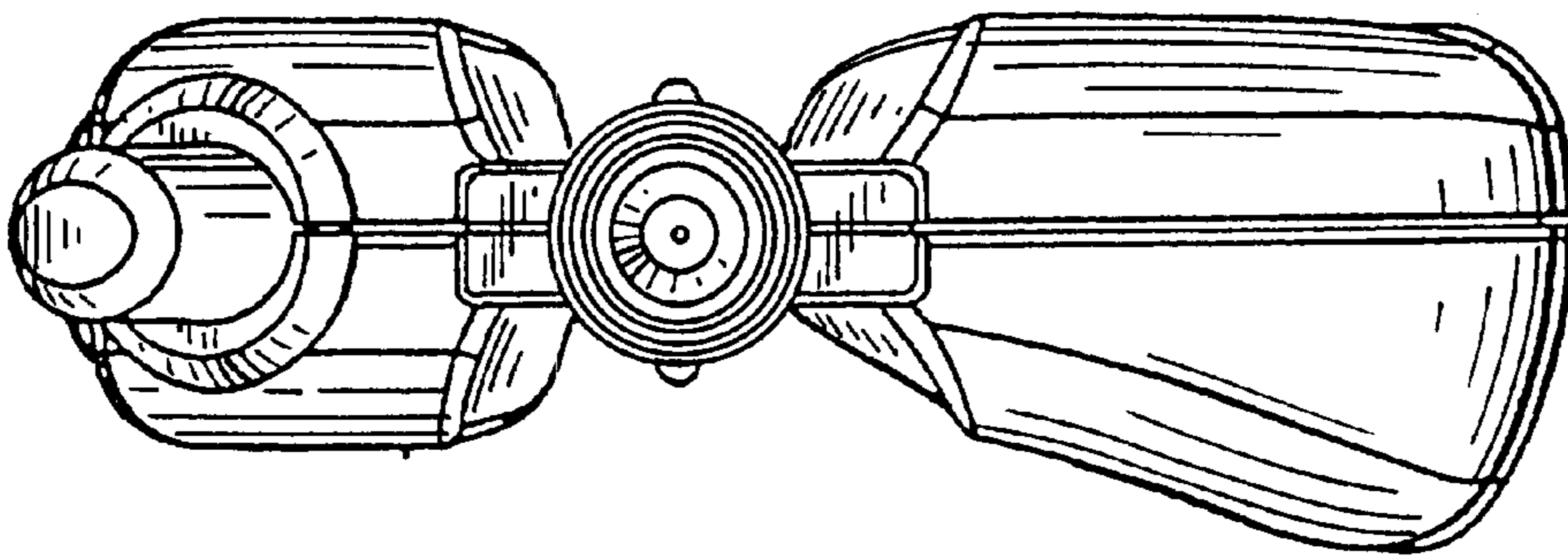


FIG. 7