



US00D475457S

(12) **United States Design Patent**
McCombs

(10) **Patent No.:** **US D475,457 S**

(45) **Date of Patent:** **** Jun. 3, 2003**

(54) **PLUG**

(75) **Inventor:** **Daniel L. McCombs**, Charlottesville,
VA (US)

(73) **Assignee:** **MicroAire Surgical Instruments, Inc.**,
Charlottesville, VA (US)

(**) **Term:** **14 Years**

(21) **Appl. No.:** **29/151,239**

(22) **Filed:** **Dec. 6, 2001**

(51) **LOC (7) Cl.** **24-02**

(52) **U.S. Cl.** **D24/129**

(58) **Field of Search** D24/108, 146,
D24/129, 111, 112; 604/113, 119, 27, 22,
21; 606/171, 170, 108

(56) **References Cited**

U.S. PATENT DOCUMENTS

4,356,823 A * 11/1982 Jackson 604/119

D279,407 S * 6/1985 Hubbard D24/129
D335,175 S * 4/1993 Sladek D24/129
6,468,283 B1 * 10/2002 Richter et al. 606/108

* cited by examiner

Primary Examiner—Ian Simmons

(74) *Attorney, Agent, or Firm*—McGuire Woods LLP

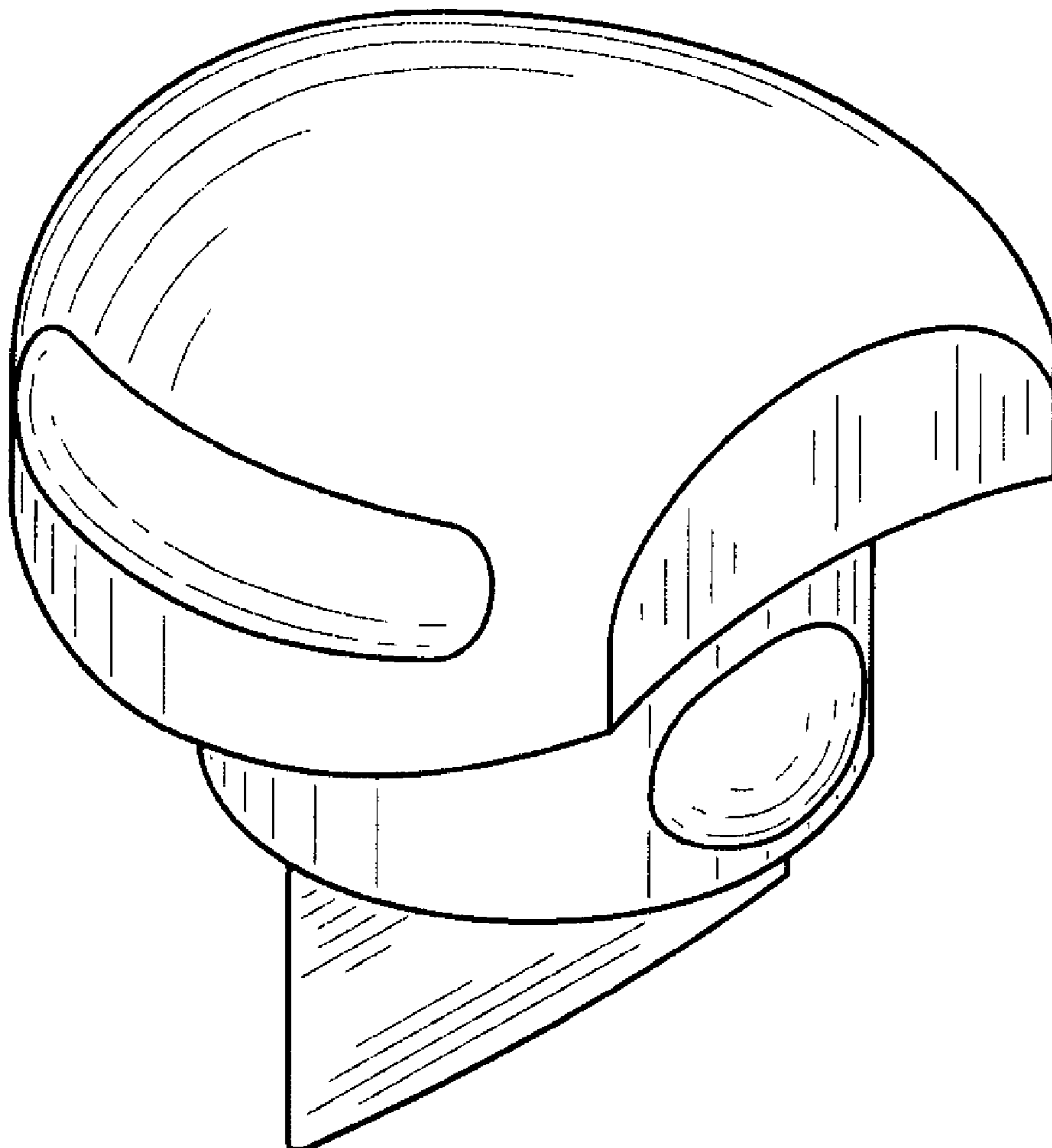
(57) **CLAIM**

I claim the ornamental design for a plug, as shown.

DESCRIPTION

FIG. 1 is a perspective view of the plug;
FIG. 2 is a top plan view of the plug;
FIG. 3 is a rear plan view of the plug;
FIG. 4 is a side plan view of the plug;
FIG. 5 is a rear plan view of the plug; and,
FIG. 6 is a bottom view of the plug.

1 Claim, 3 Drawing Sheets



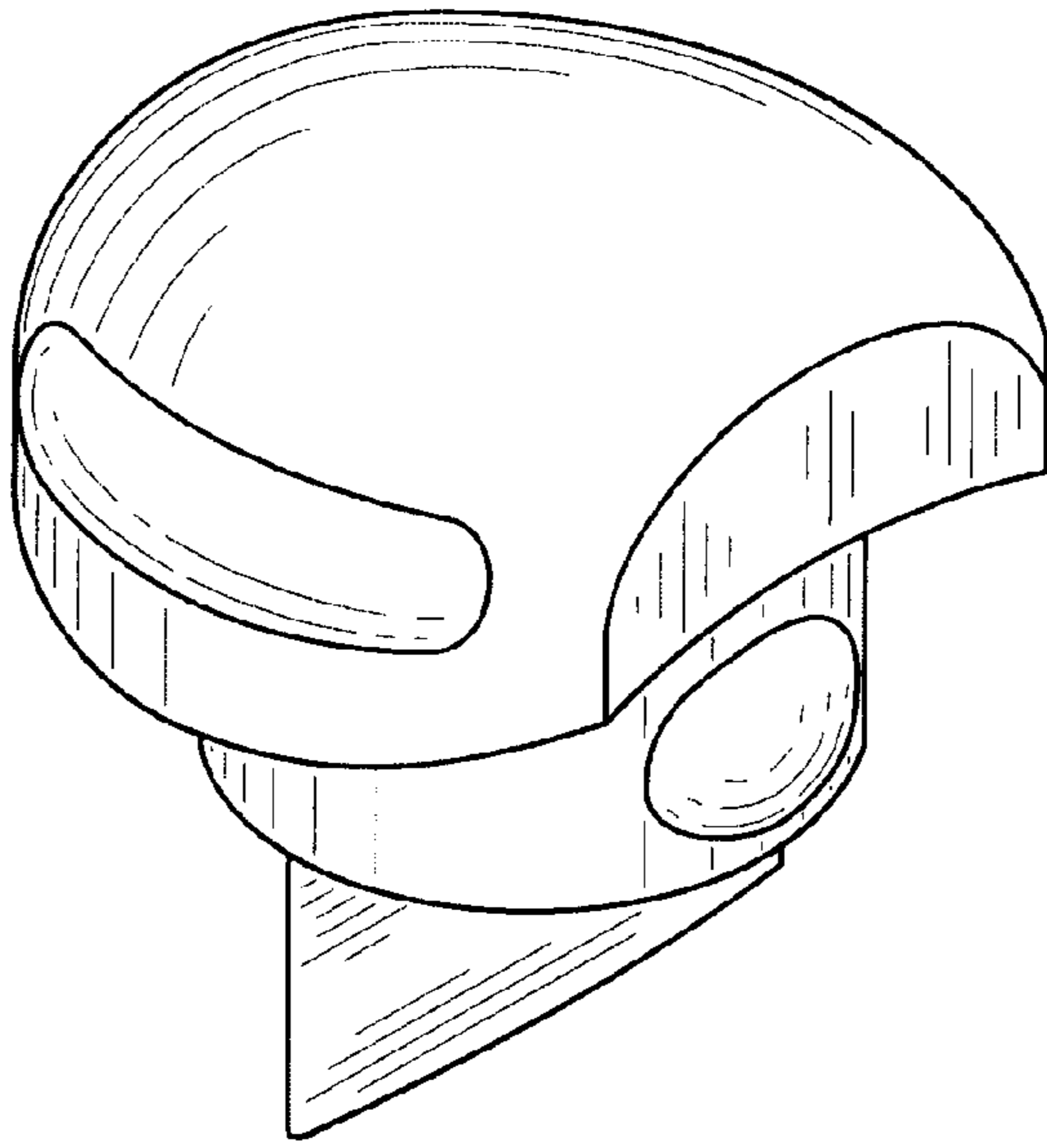


FIG. 1

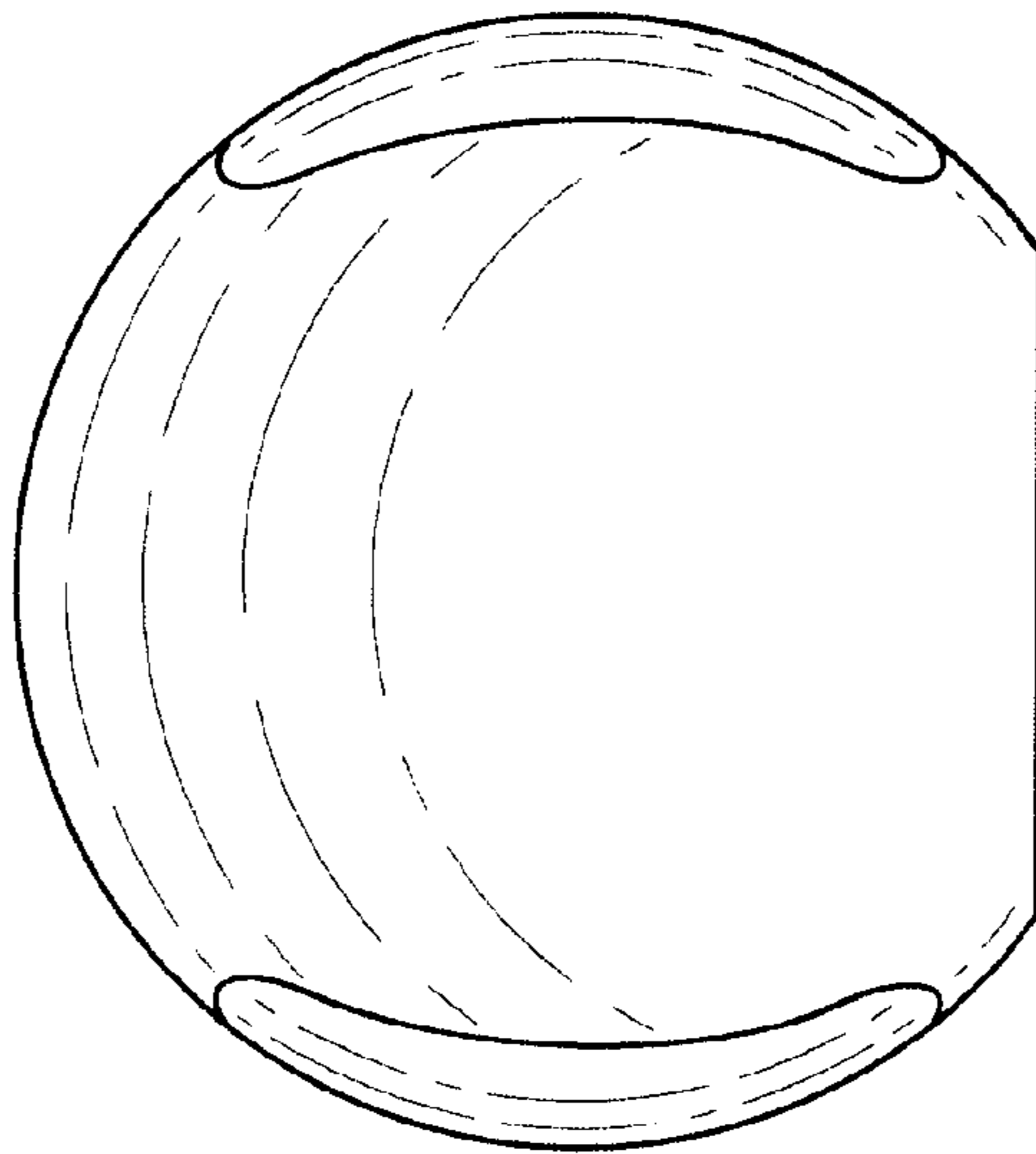


FIG. 2

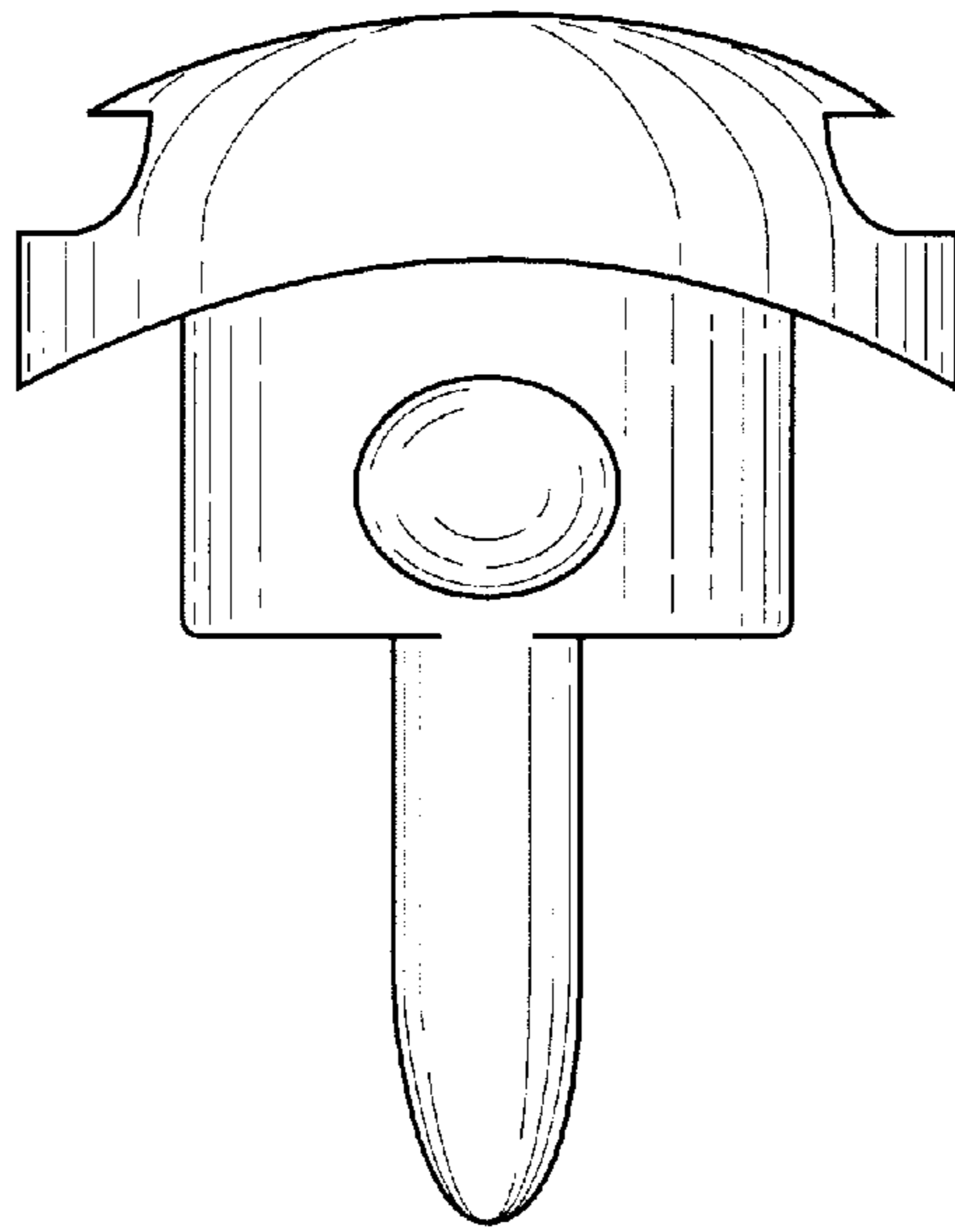


FIG. 3

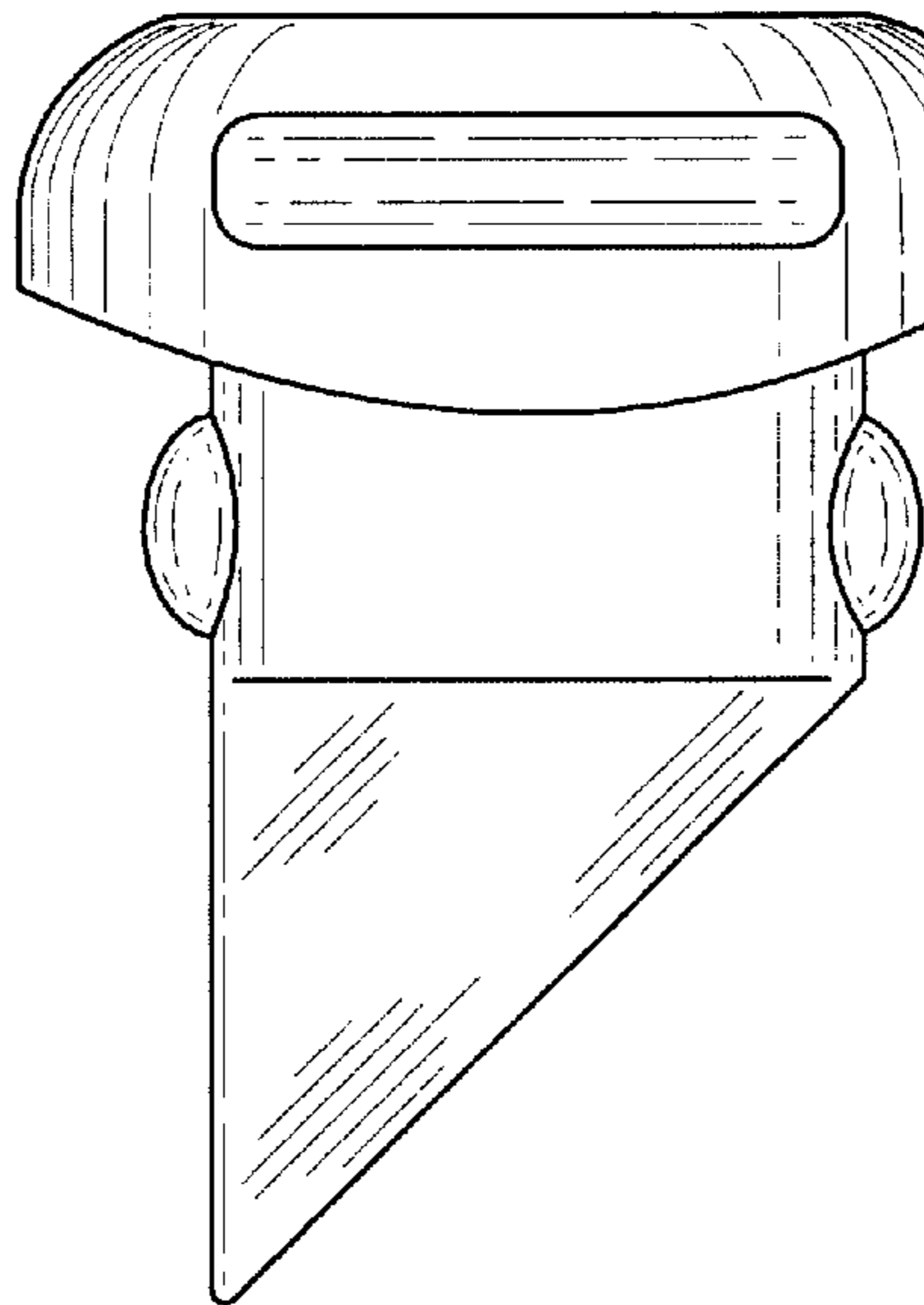


FIG. 4

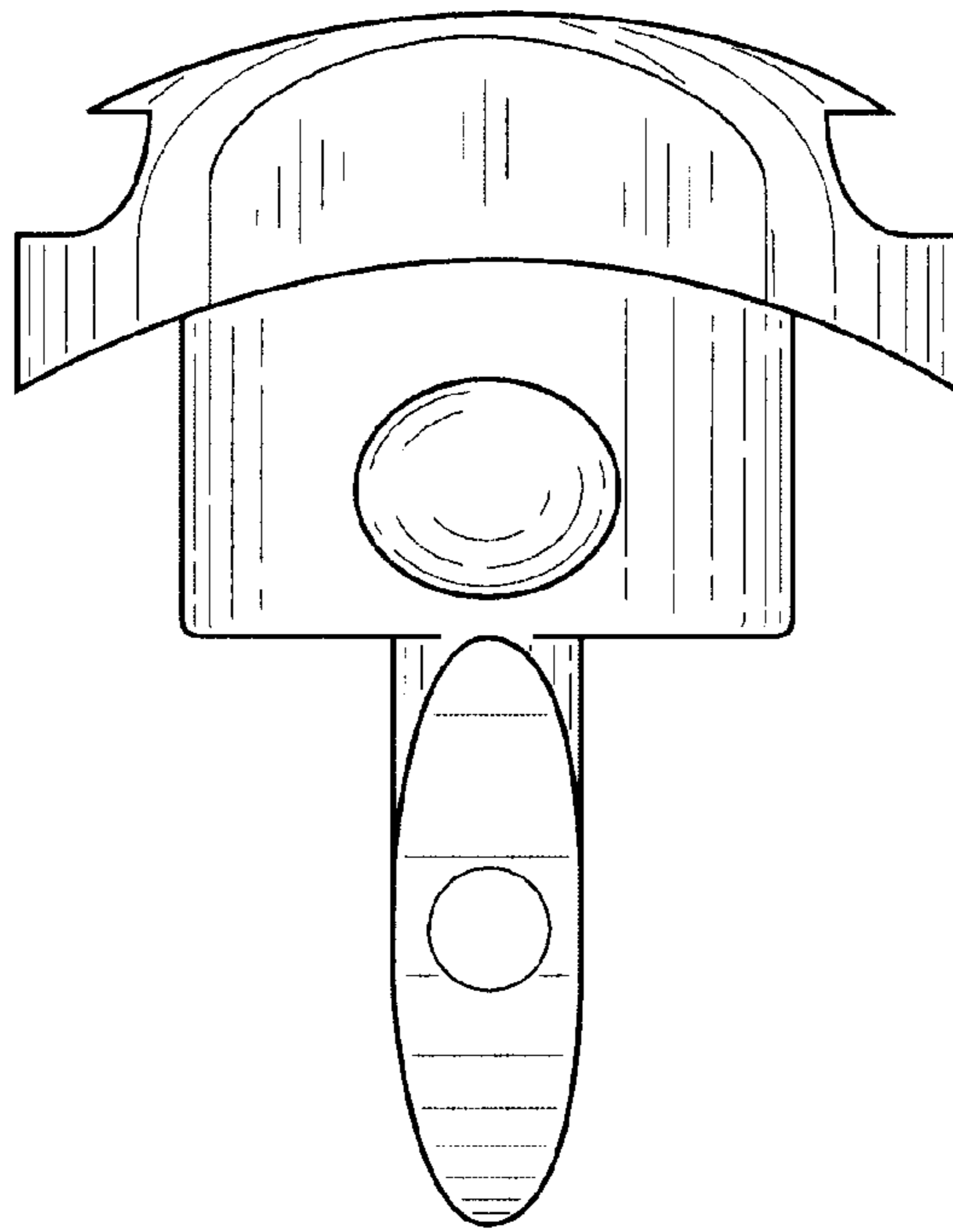


FIG. 5

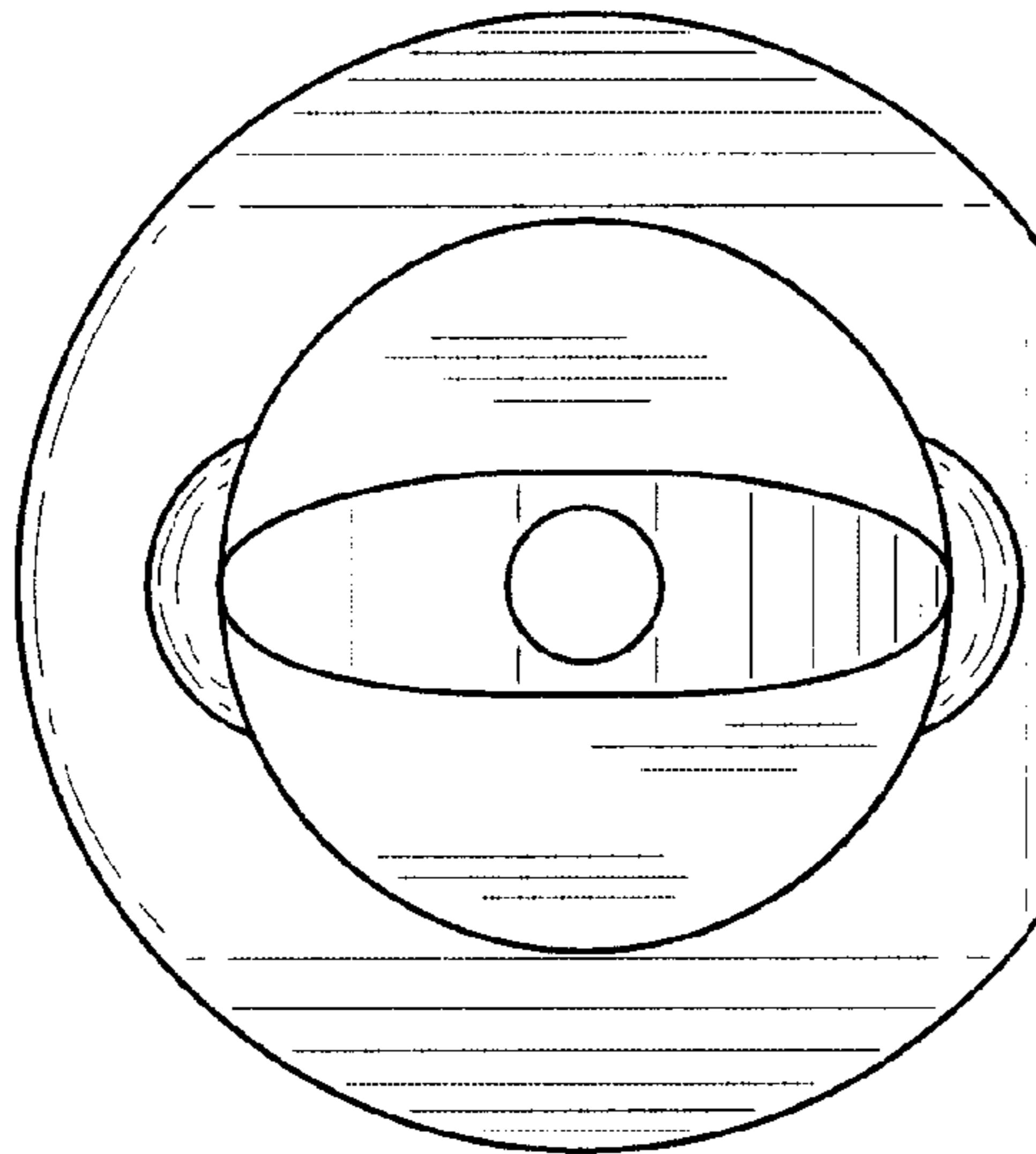


FIG. 6