



US00D475446S

(12) **United States Design Patent**
Millán

(10) **Patent No.:** **US D475,446 S**

(45) **Date of Patent:** **** Jun. 3, 2003**

(54) **ELECTRICAL AIR FRESHENER**

(75) Inventor: **Jordi Basagañas Millán**, Barcelona (ES)

(73) Assignee: **DBK Espana, S.A.**, Barcelona (ES)

(**) Term: **14 Years**

(21) Appl. No.: **29/160,622**

(22) Filed: **May 14, 2002**

(30) **Foreign Application Priority Data**

Nov. 14, 2001 (ES) 152762

(51) **LOC (7) Cl.** **23-04**

(52) **U.S. Cl.** **D23/366**

(58) **Field of Search** D23/366-369,
D23/356-363, 355; 392/390, 392; 239/135,
136, 58; 261/DIG. 17, DIG. 65; 96/97;
422/120, 122, 305, 121, 125

(56) **References Cited**

U.S. PATENT DOCUMENTS

D307,180 S	*	4/1990	Luthy	D23/366
D403,419 S	*	12/1998	Davis	D23/366
D432,222 S	*	10/2000	Rymer et al.	D23/366
D433,113 S	*	10/2000	Cole	D23/366
D433,744 S	*	11/2000	Basaganas	D23/366
D461,885 S	*	8/2002	Jordi	D23/366

* cited by examiner

Primary Examiner—Lisa Lichtenstein

(74) *Attorney, Agent, or Firm*—Katten Muchin Zavis Rosenman

(57) **CLAIM**

The ornamental design for an electrical air freshener, as shown and described.

DESCRIPTION

FIG. 1 is an exploded view of the electrical air freshener showing my new design;

FIG. 2 is a top view of the assembled electrical air freshener, of FIG. 1;

FIG. 3 is a side elevation view of FIG. 2;

FIG. 4 is a front elevation view of FIG. 2;

FIG. 5 is a top view of the lid portion of the electrical air freshener of FIG. 1, shown separately for clarity of illustration;

FIG. 6 is a side elevation view of FIG. 5;

FIG. 7 is a front elevation view of FIG. 5;

FIG. 8 is a perspective view from the front of an assembly of the container portion and body portion of the electrical air freshener of FIG. 1, shown separately for clarity of illustration;

FIG. 9 is a perspective view taken from the right frontal side of FIG. 8;

FIG. 10 is a perspective view taken from the left rear side of FIG. 8;

FIG. 11 is a front elevation view of the container portion of the electrical air freshener of FIG. 1, shown separately for clarity of illustration;

FIG. 12 is a left side elevation view of FIG. 11;

FIG. 13 is a bottom view of FIG. 11;

FIG. 14 is a rear elevation view of FIG. 11;

FIG. 15 is a right side elevation view of FIG. 11;

FIG. 16 is a top view elevation view of FIG. 11;

FIG. 17 is a front elevation view of the body portion of the electrical air freshener of FIG. 1, shown separately for clarity of illustration;

FIG. 18 is a left side elevation view of FIG. 17;

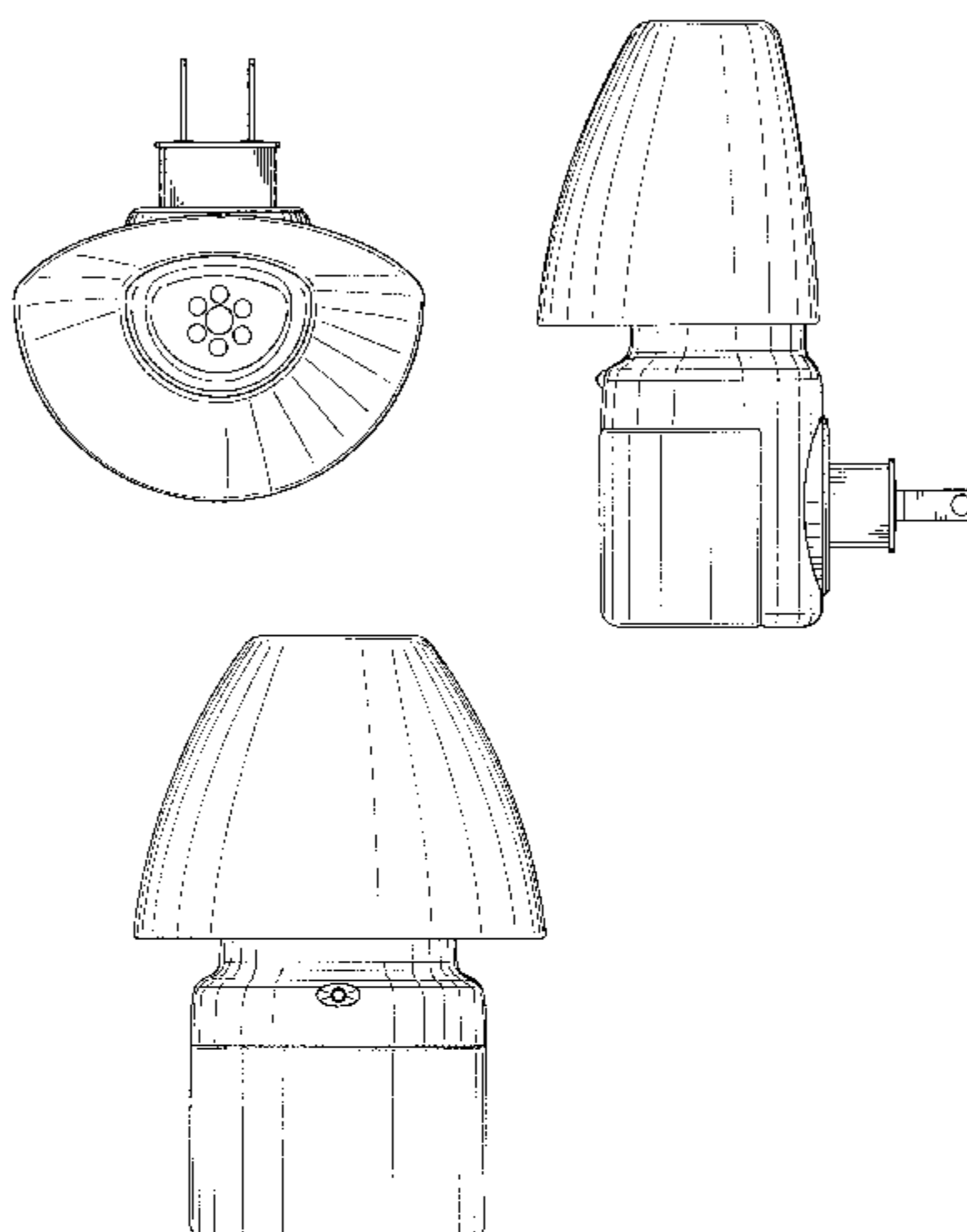
FIG. 19 is a top view of FIG. 17;

FIG. 20 is a rear elevation view thereof;

FIG. 21 is a right side elevation view of FIG. 17; and,

FIG. 22 is a bottom view of FIG. 17.

1 Claim, 22 Drawing Sheets



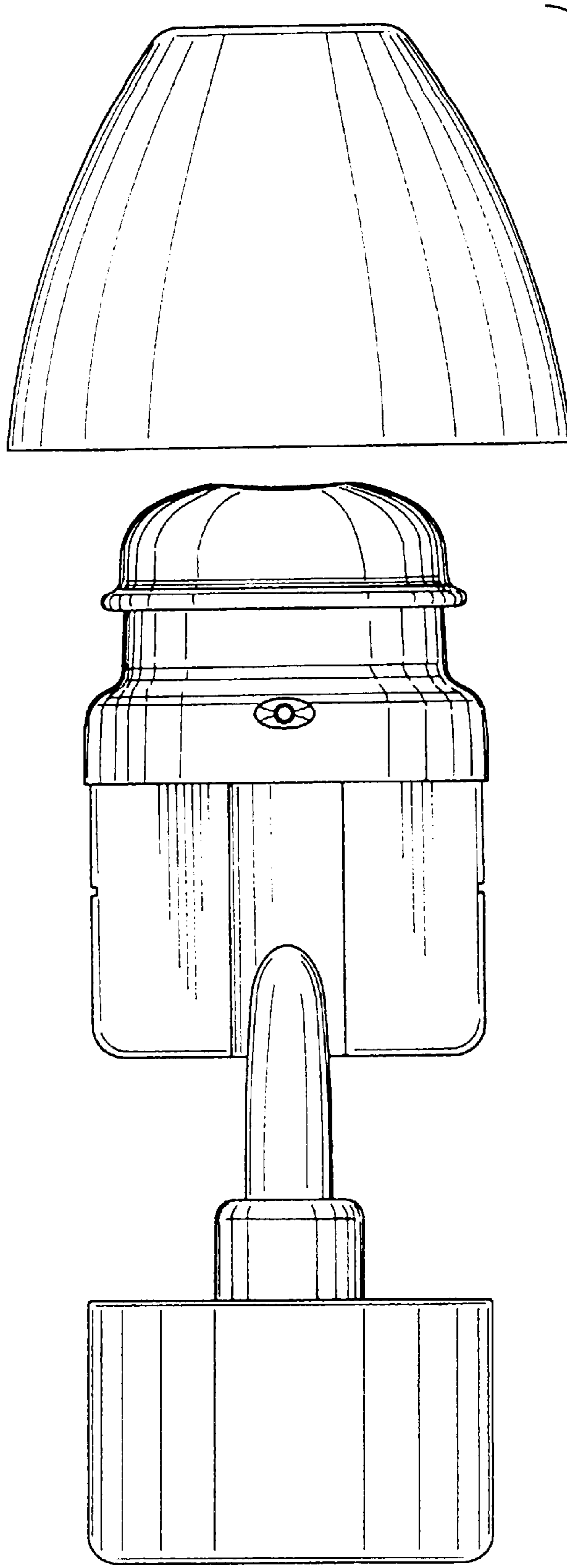


FIG. 1

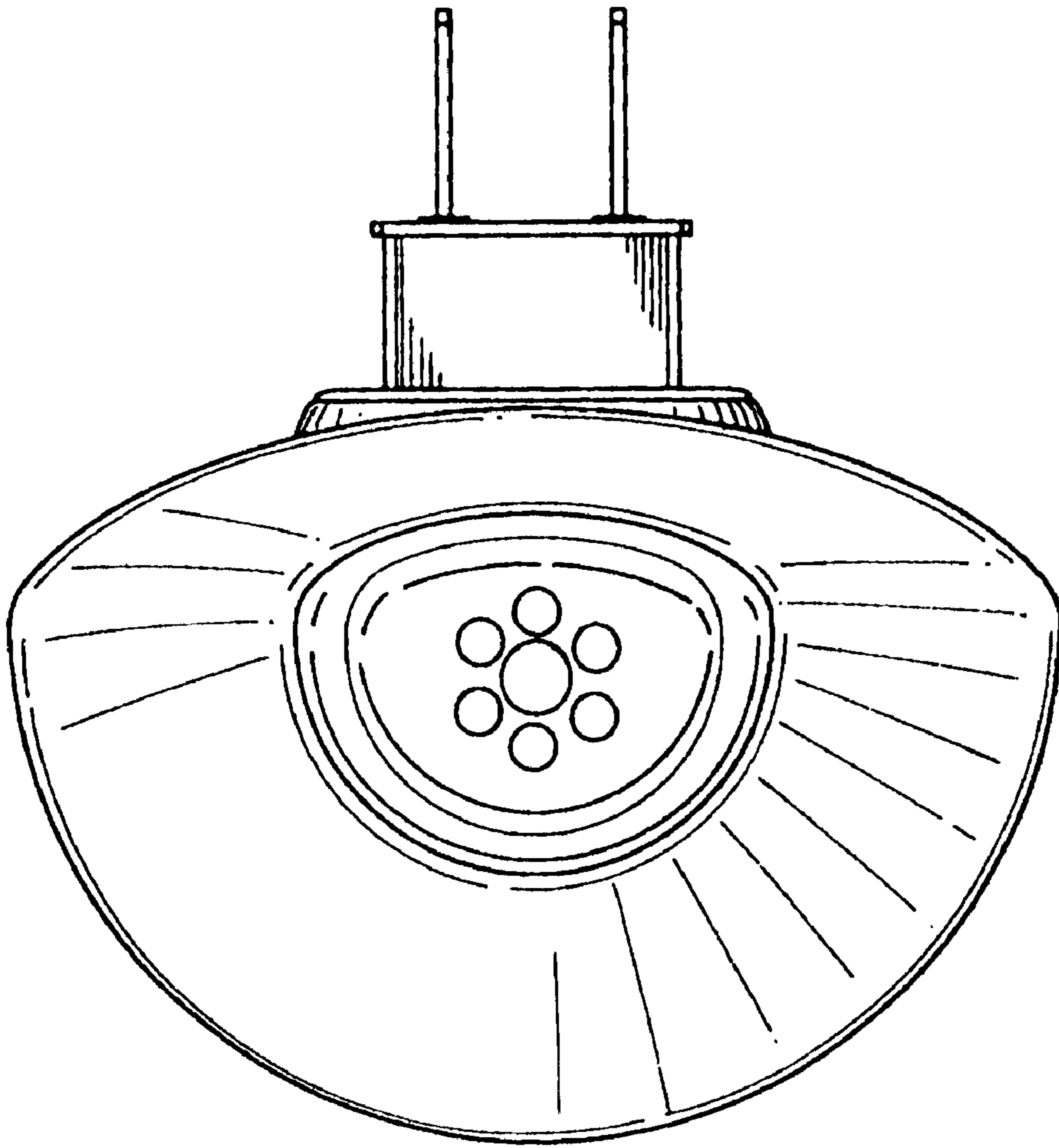


FIG. 2

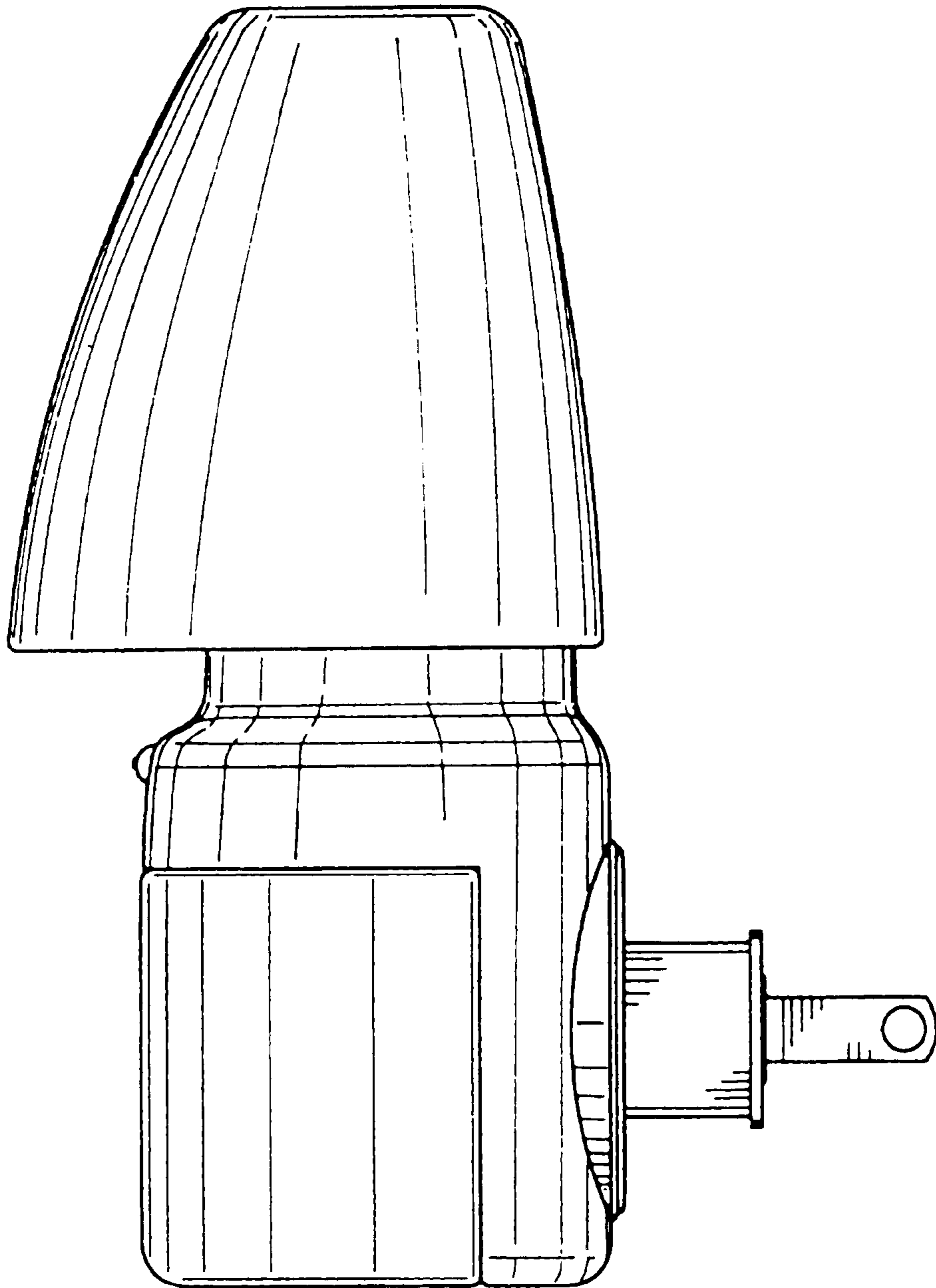


FIG. 3

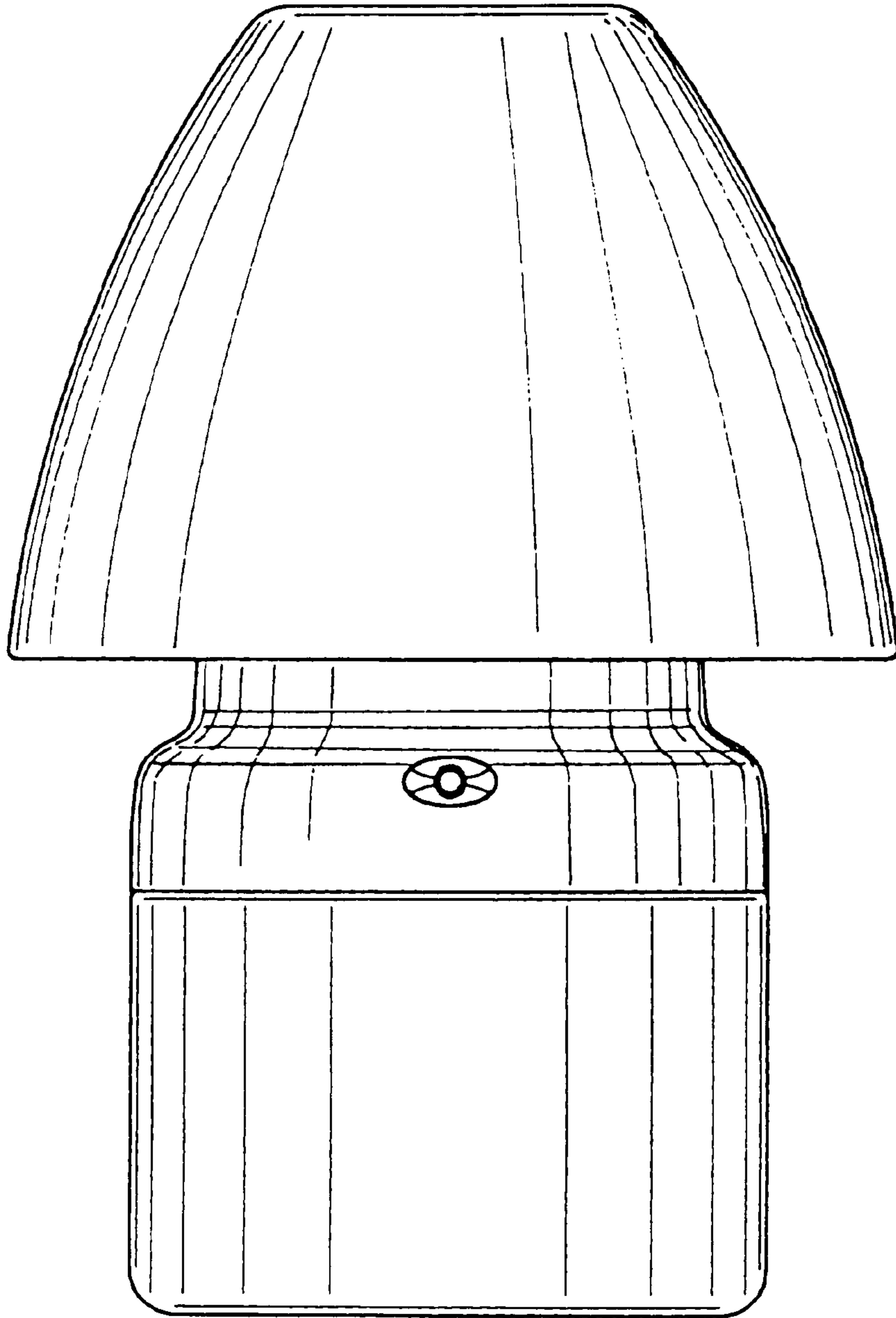


FIG. 4

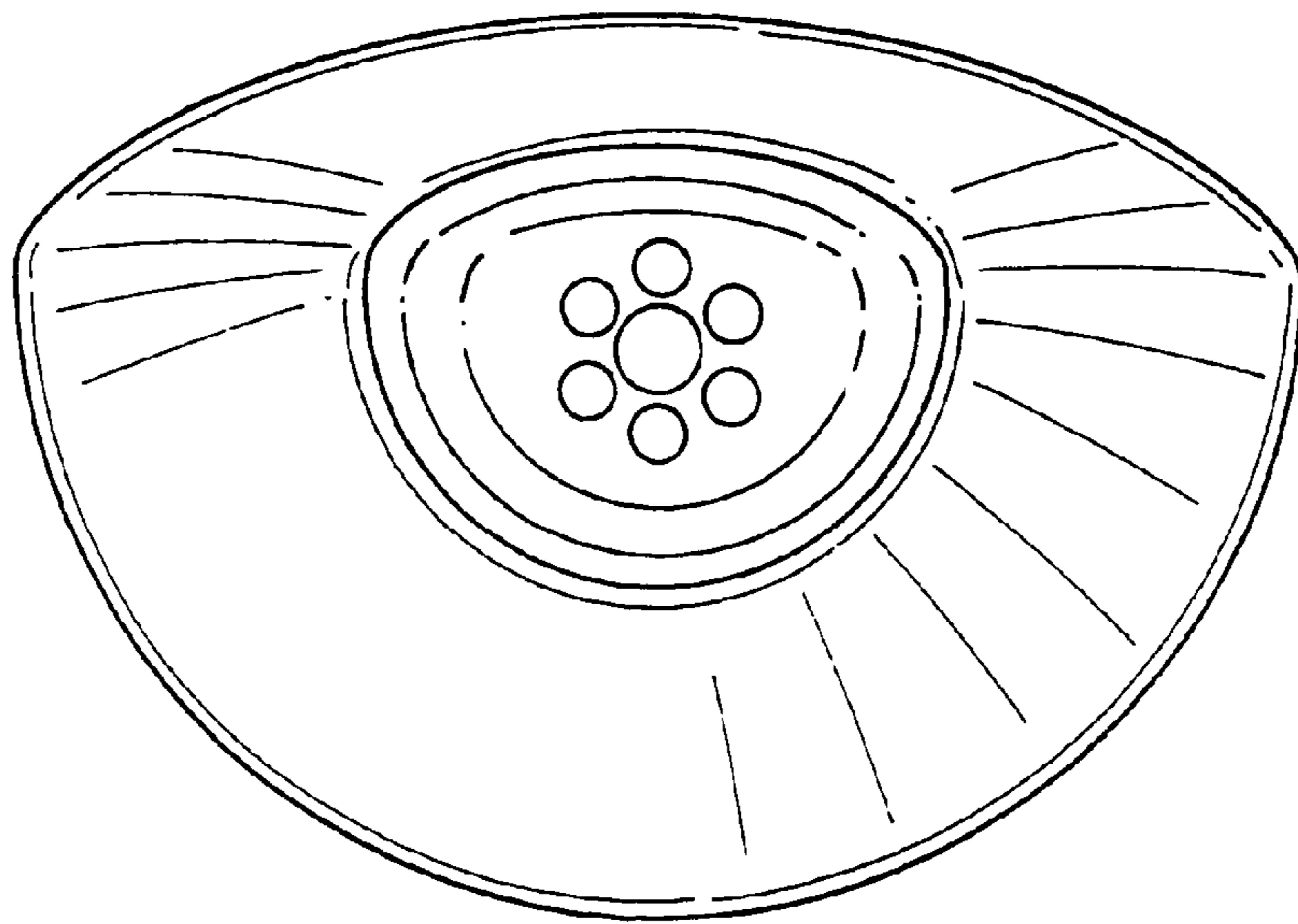


FIG. 5

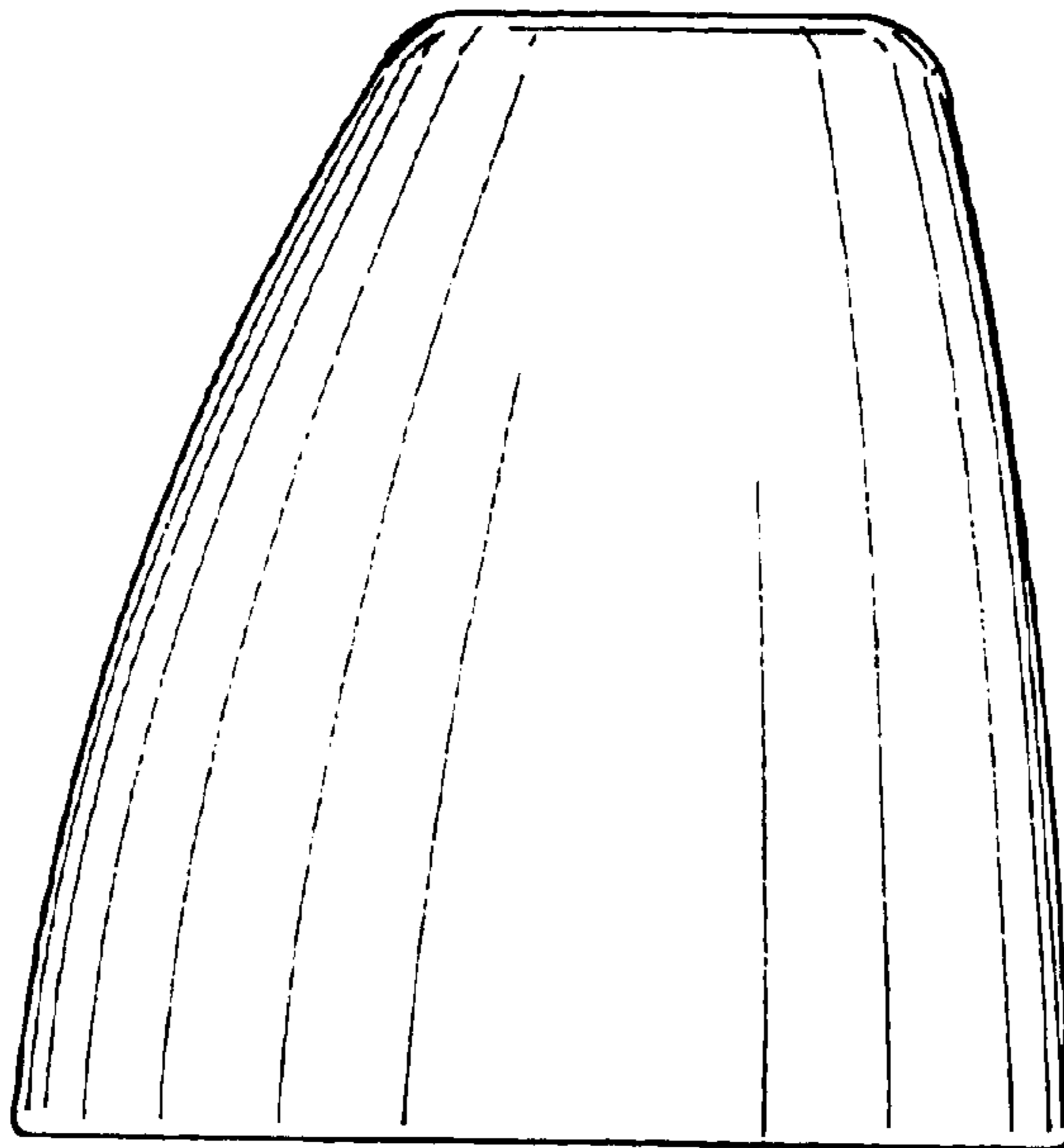


FIG. 6

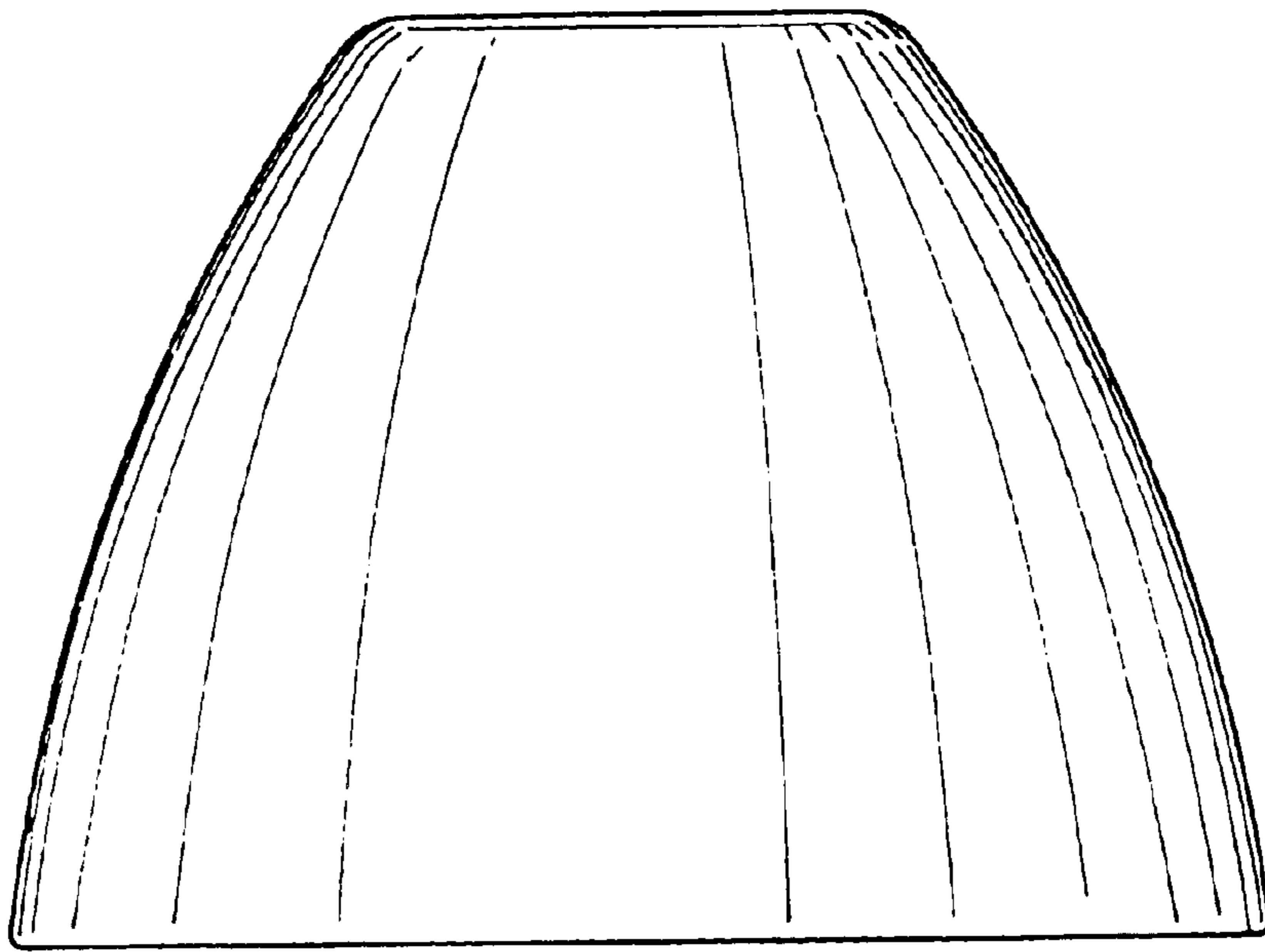


FIG. 7

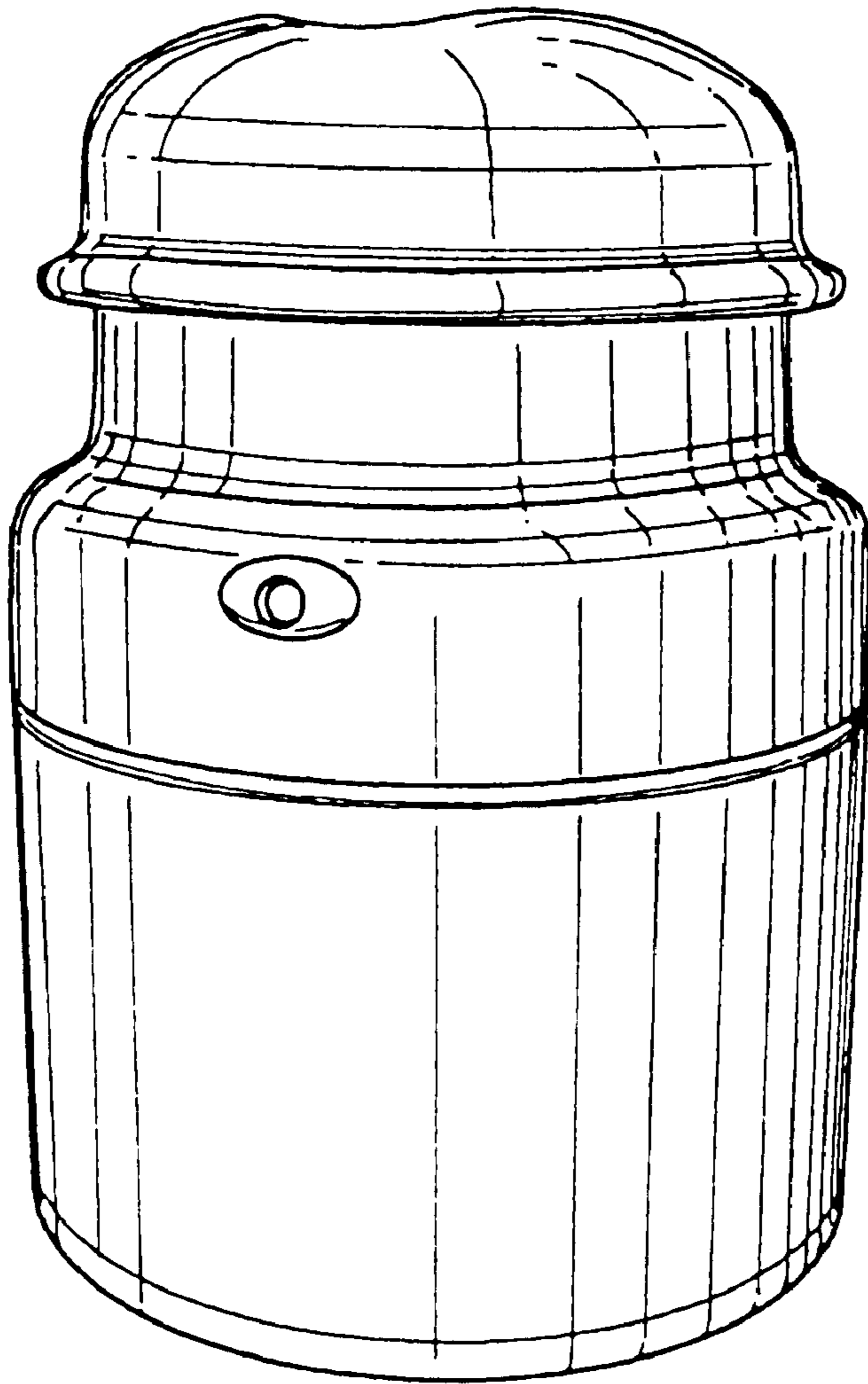


FIG. 8

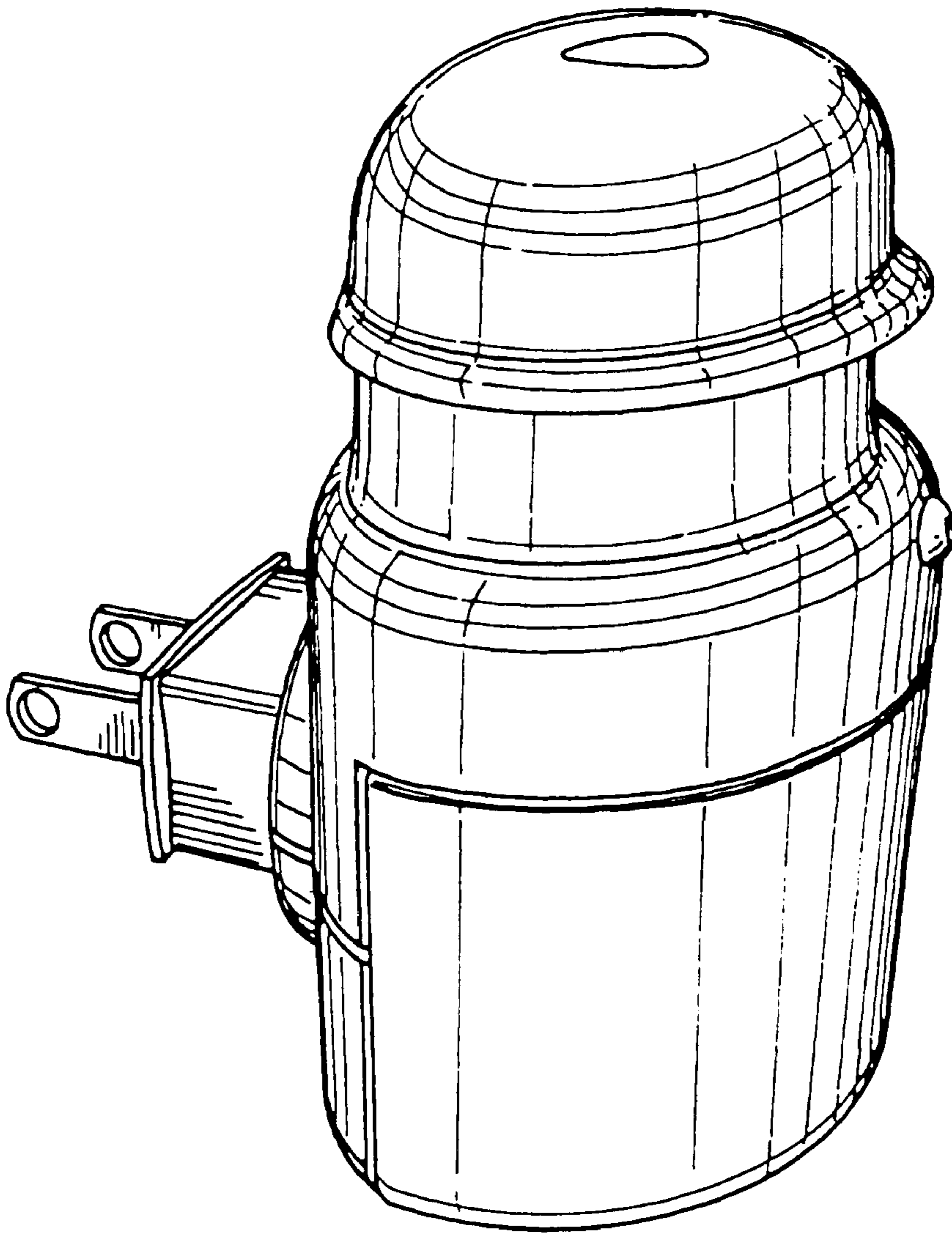


FIG. 9

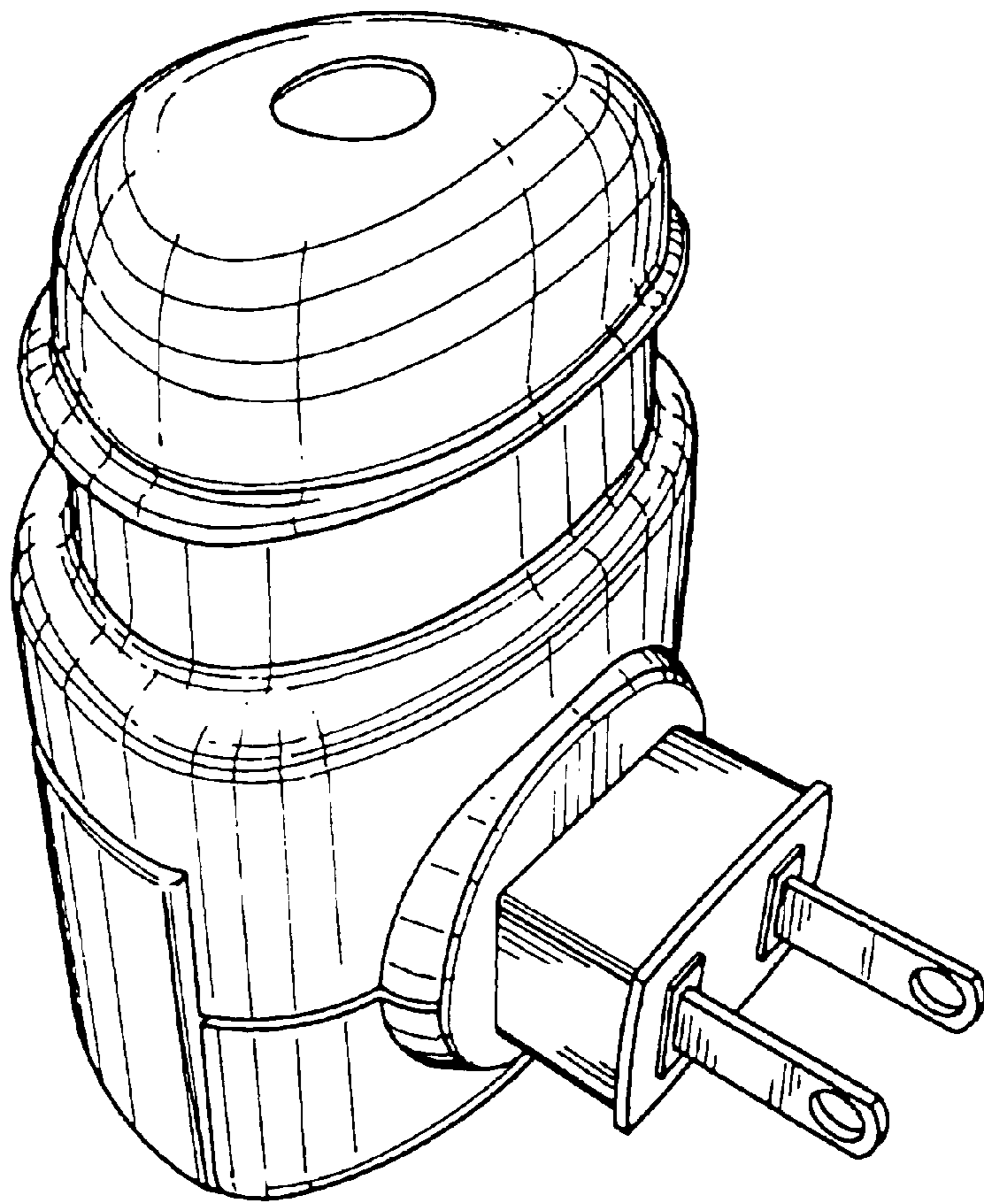


FIG. 10

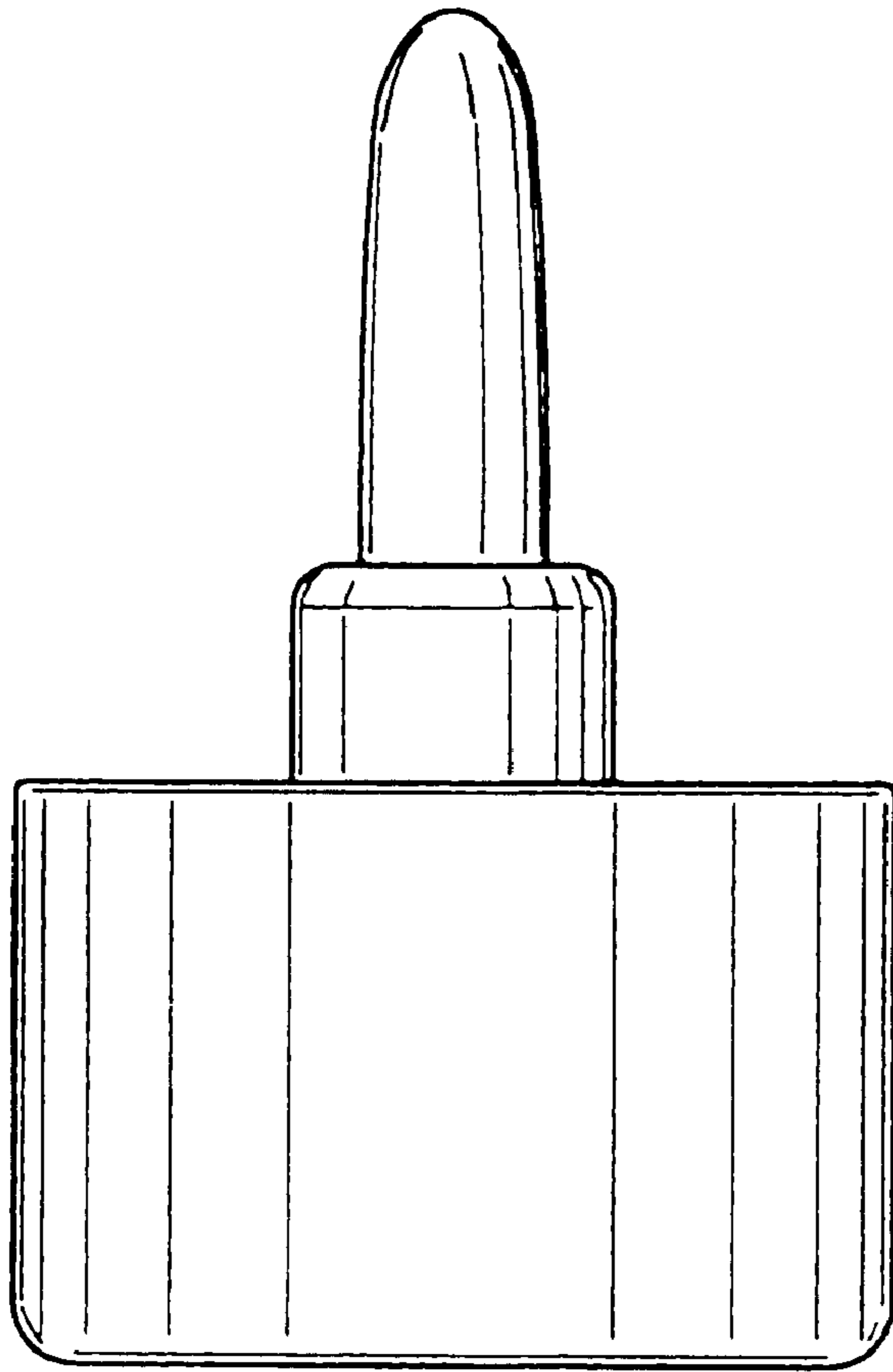


FIG. 11

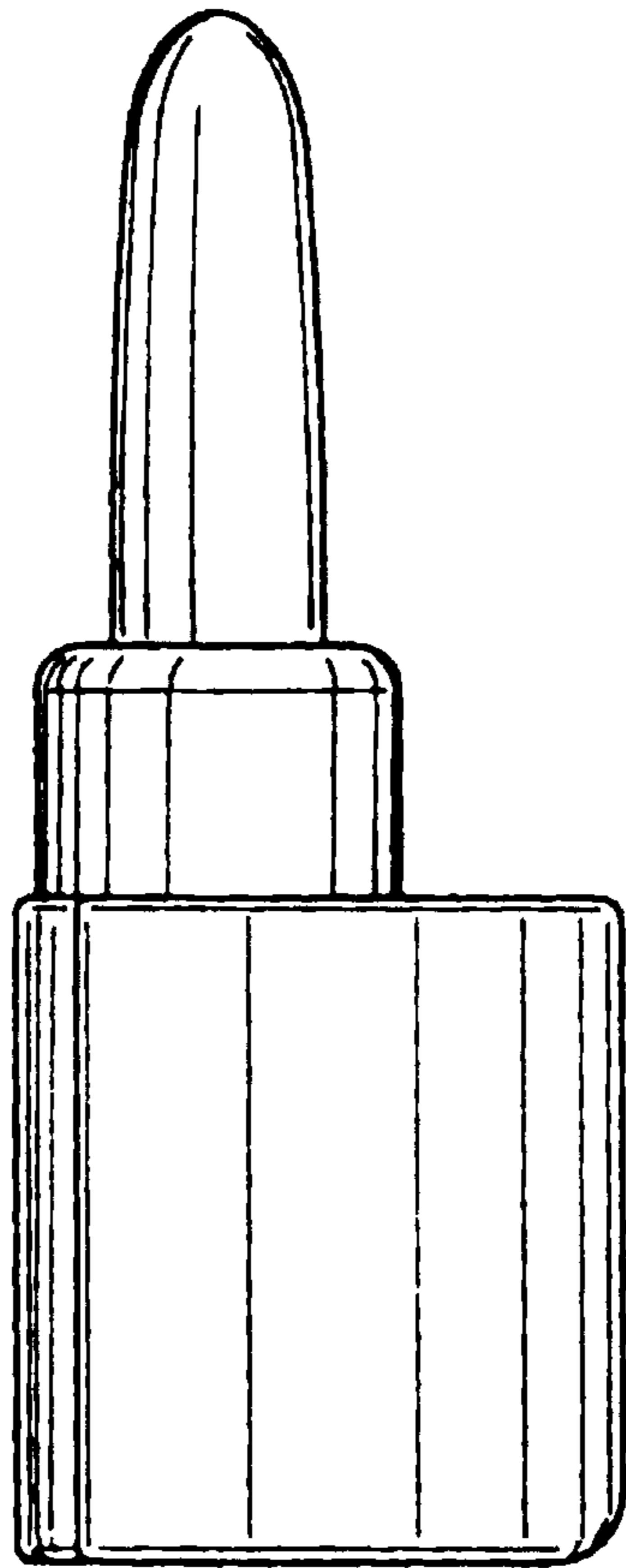


FIG. 12

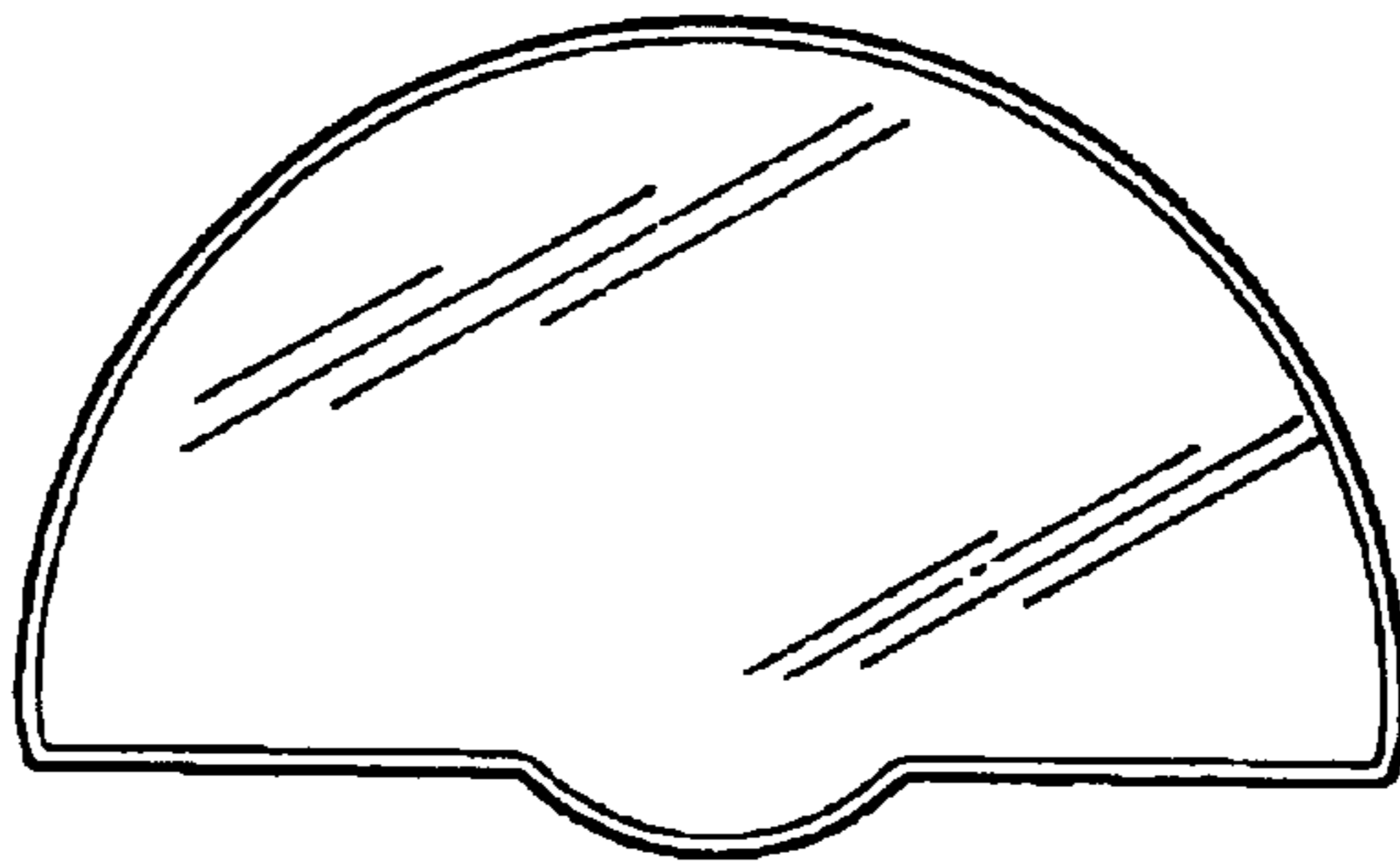


FIG. 13

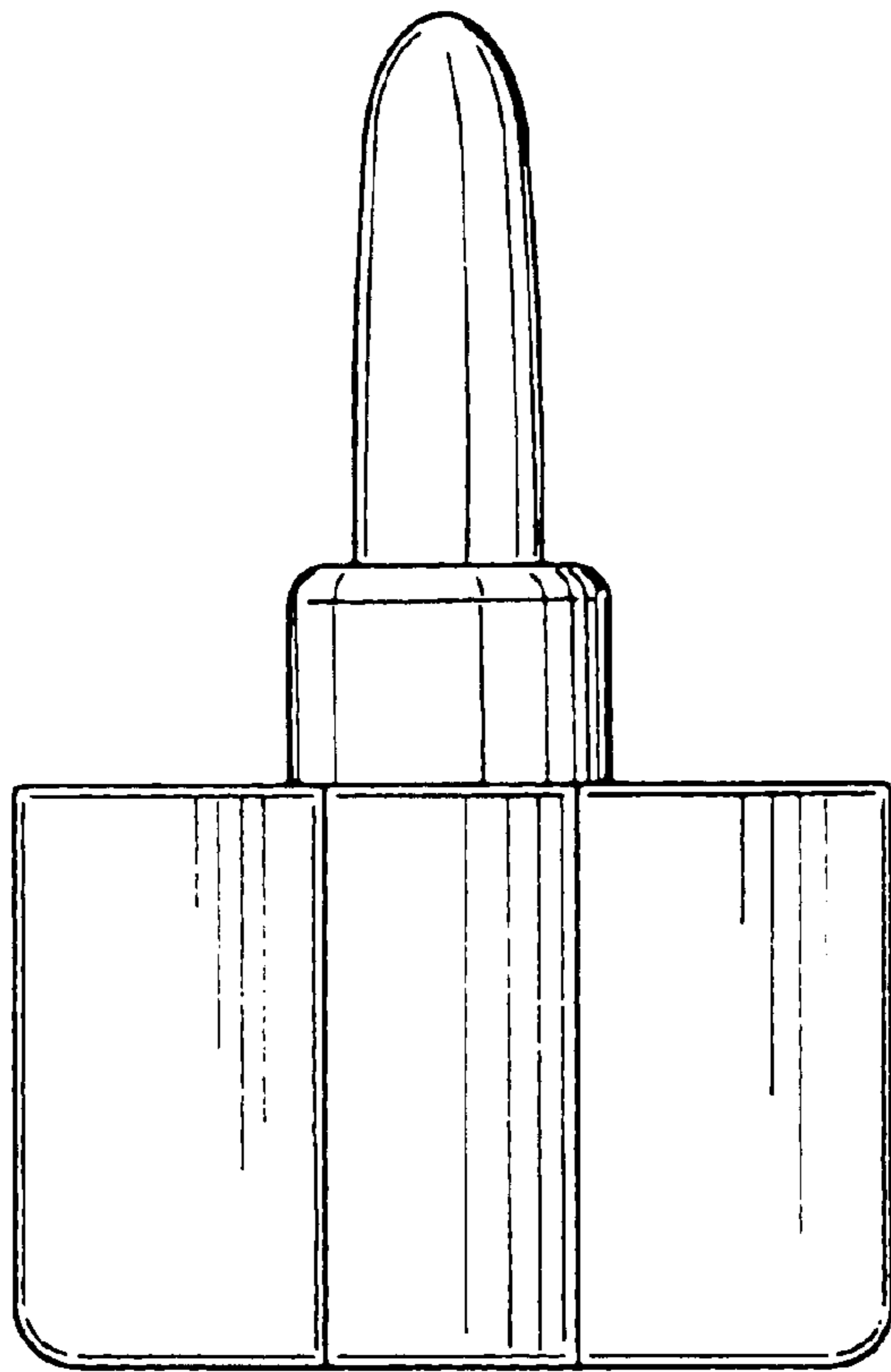


FIG. 14

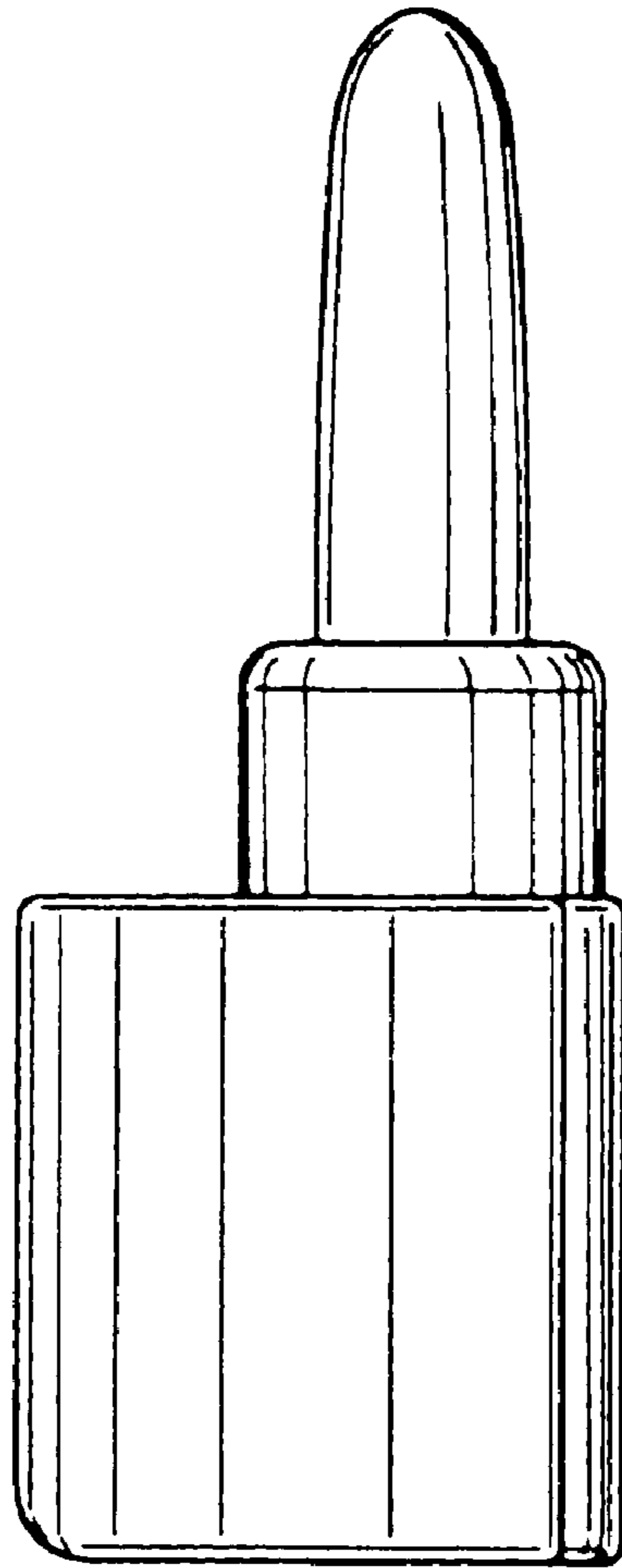


FIG. 15

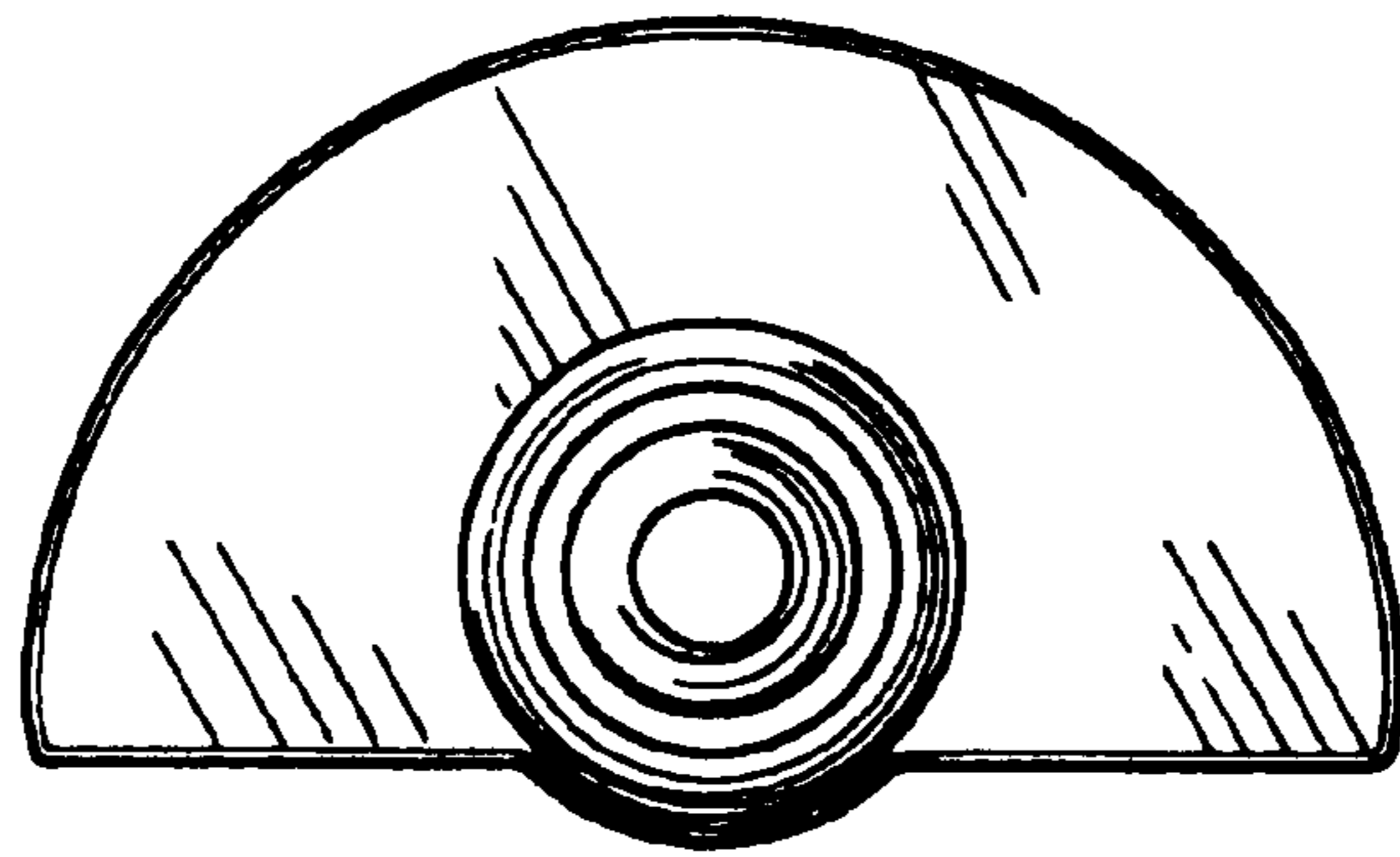


FIG. 16

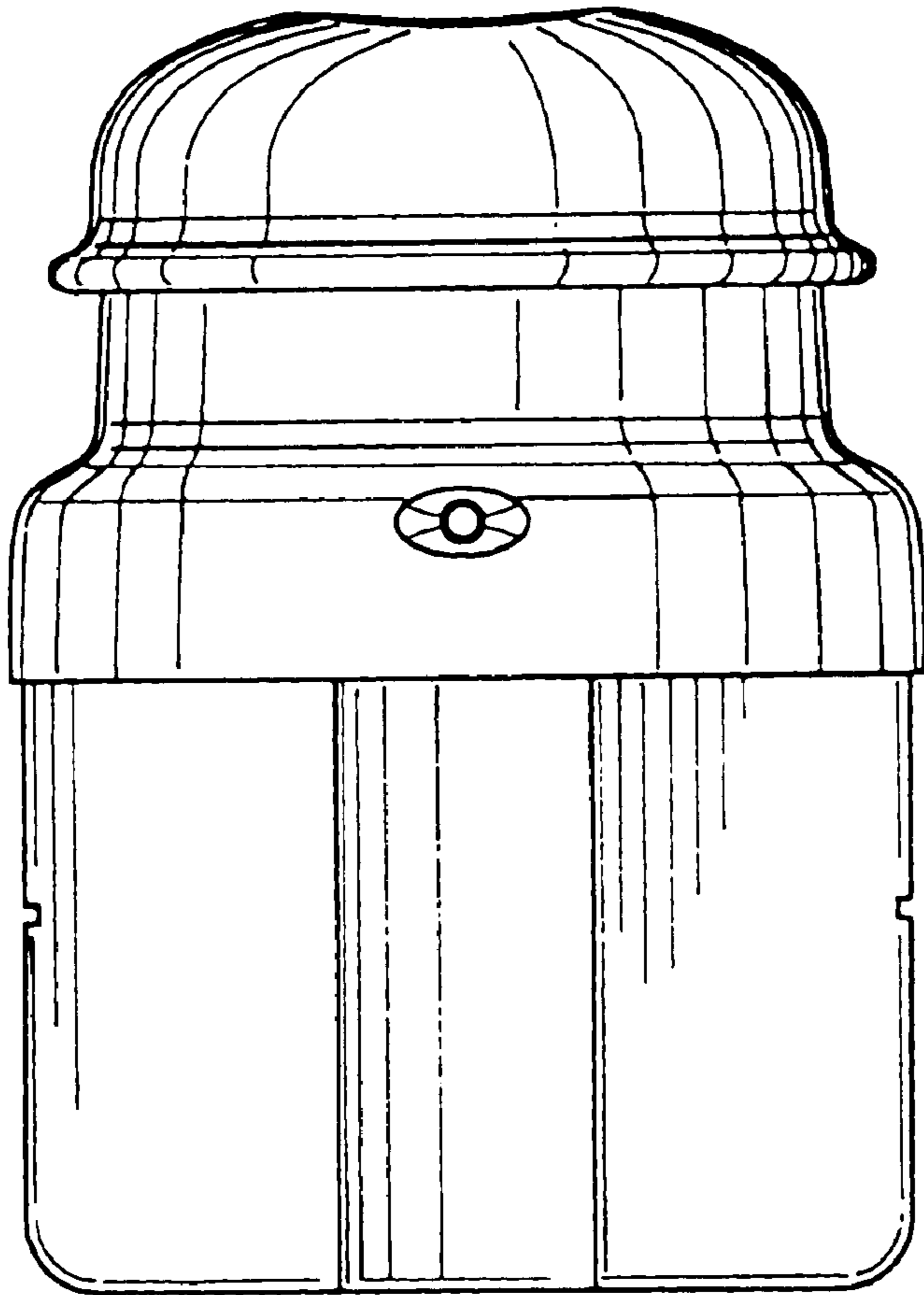


FIG. 17

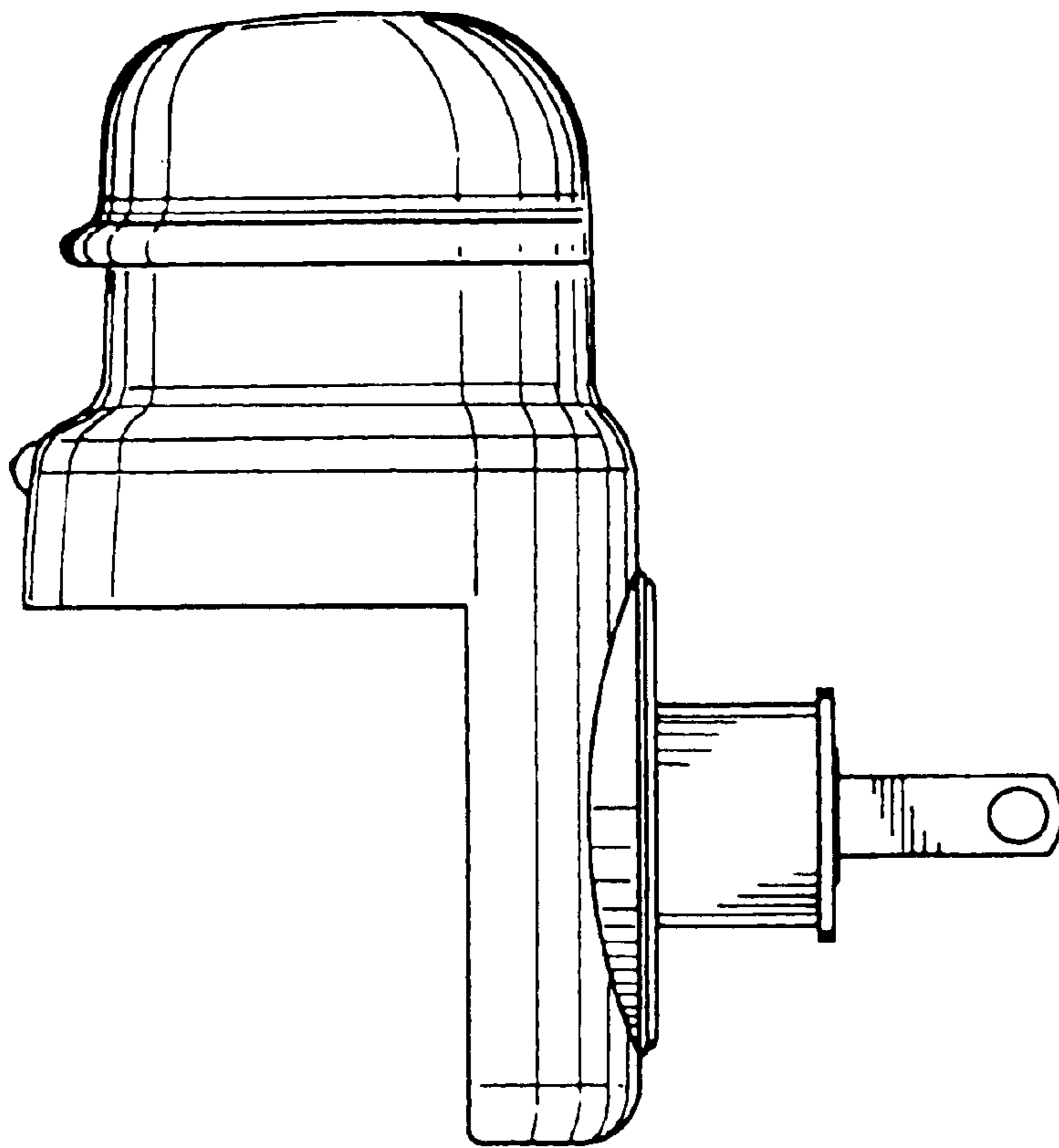


FIG. 18

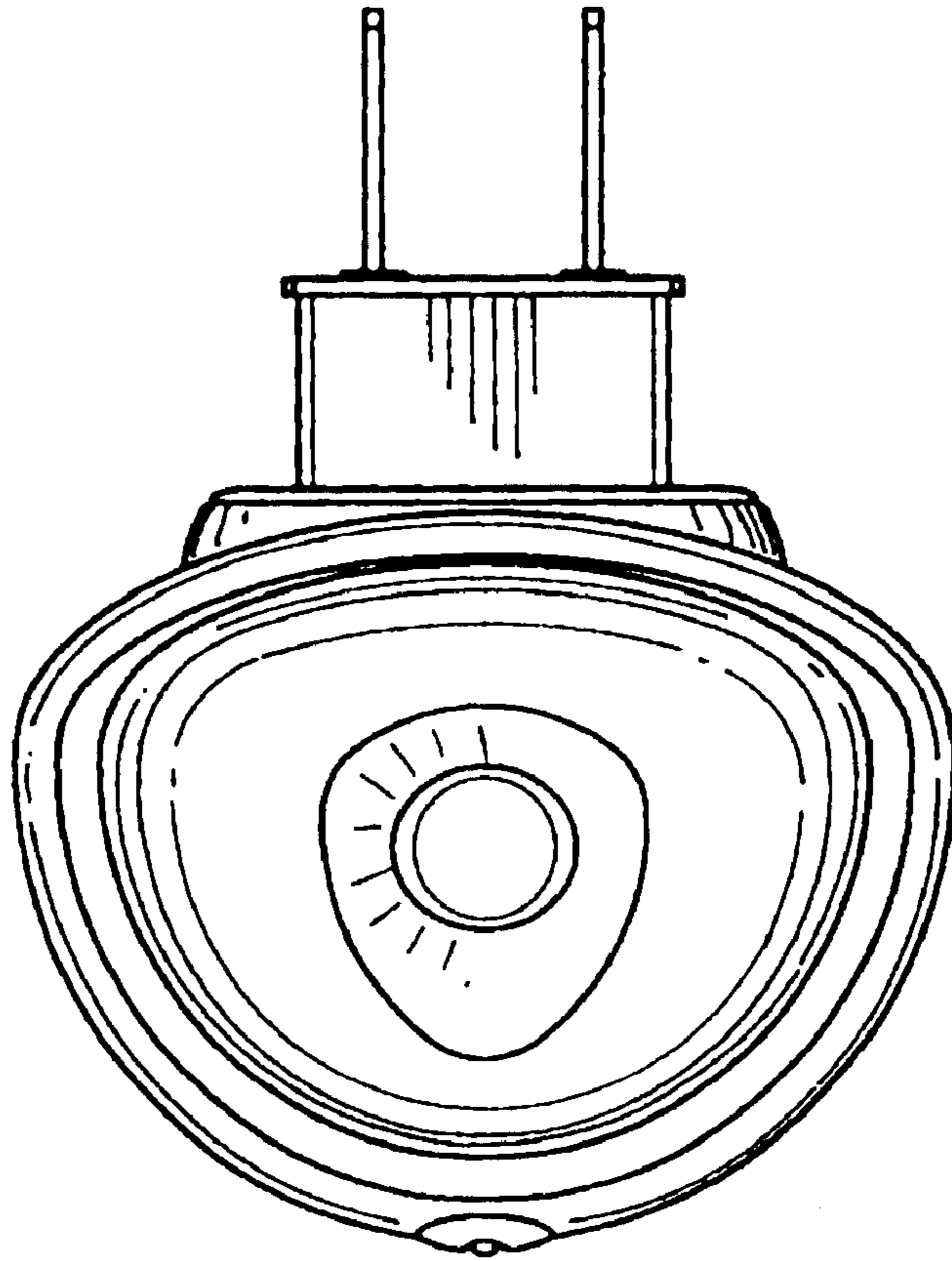


FIG. 19

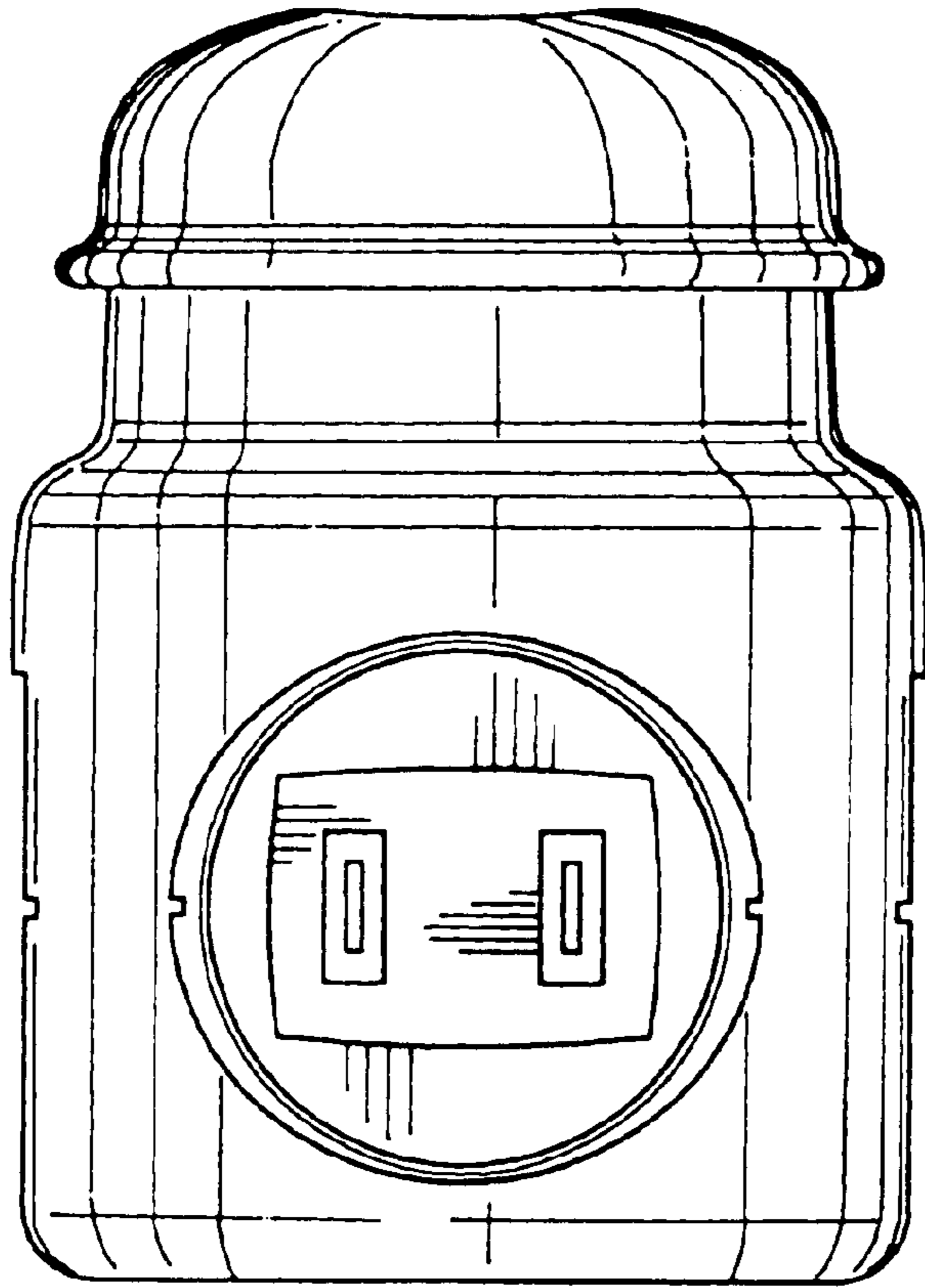


FIG. 20

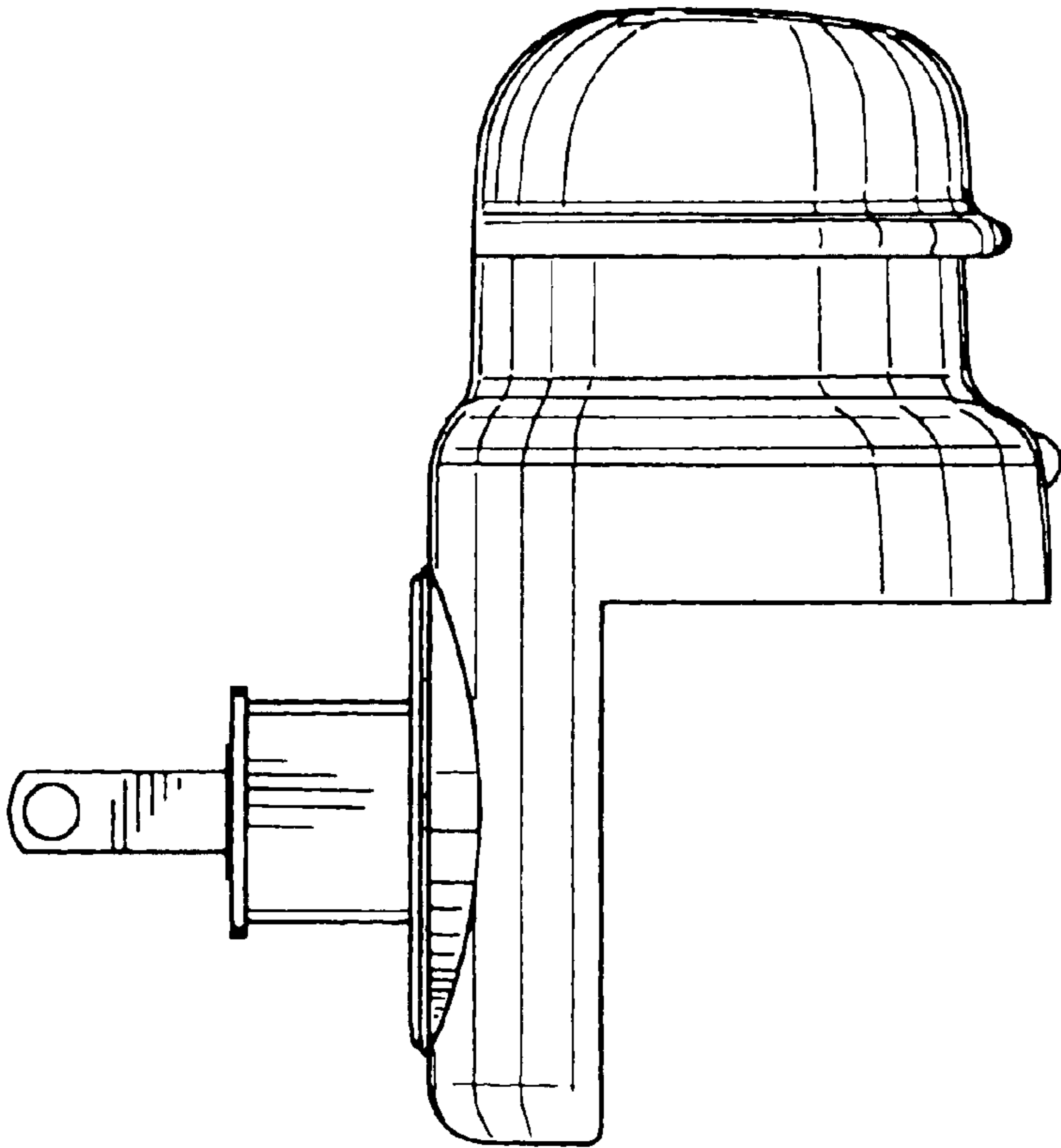


FIG. 21

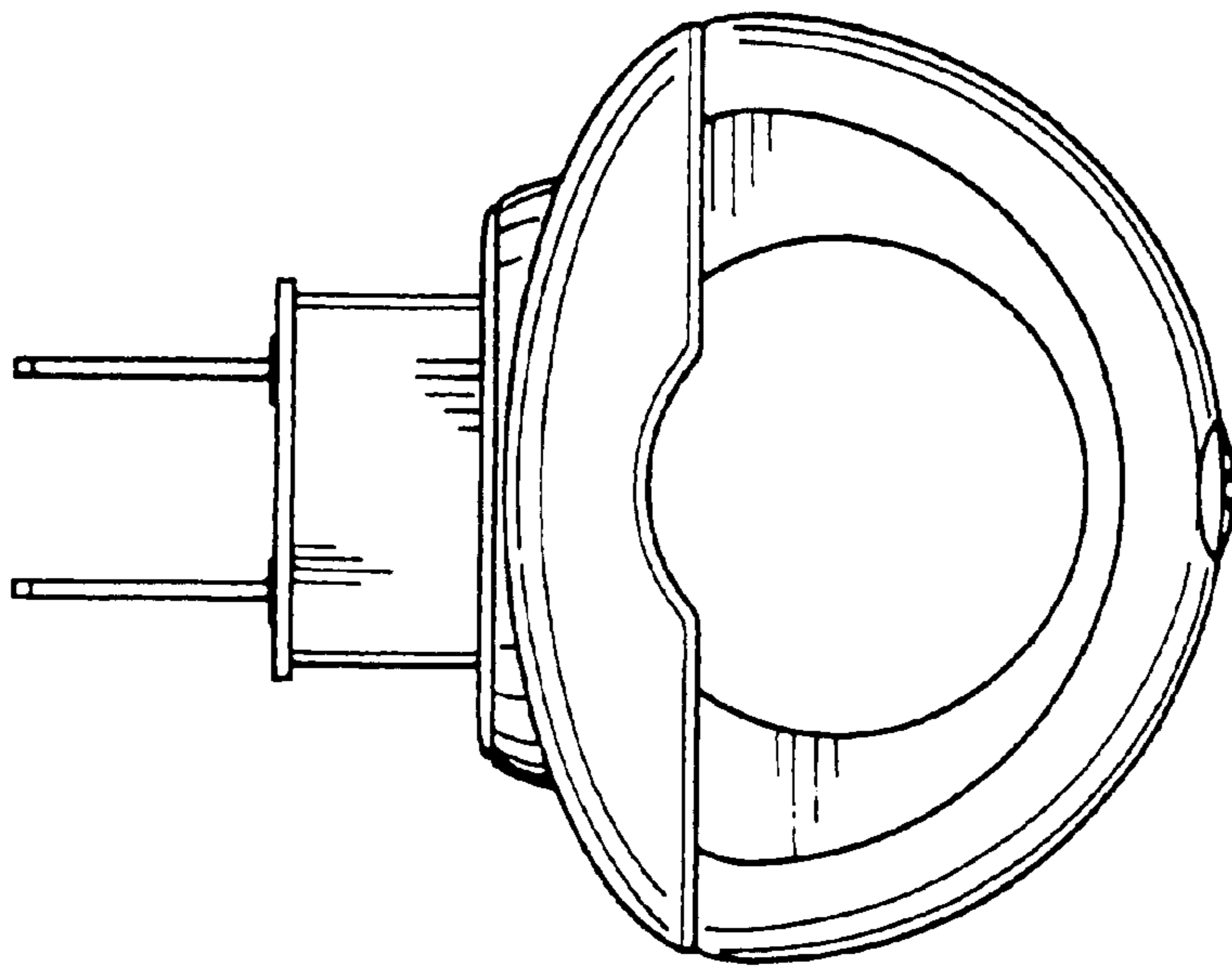


FIG. 22