



US00D475444S

(12) **United States Design Patent**
Laferriere et al.

(10) **Patent No.:** **US D475,444 S**

(45) **Date of Patent:** **** Jun. 3, 2003**

(54) **PYRAMID AIR CLEANER**
(75) Inventors: **Derek Laferriere**, East Hampton, CT (US); **Dan Martin, Jr.**, Orlando, FL (US)
(73) Assignee: **Martin Air Solutions, L.L.C.**, Plainville, CT (US)
(**) Term: **14 Years**

5,612,001 A	3/1997	Matschke	422/121
5,616,172 A	4/1997	Tuckerman et al.	96/16
5,681,374 A	10/1997	Von Glehn	96/16
D397,197 S	* 8/1998	Ito et al.	D23/364
D401,684 S	* 11/1998	Shelton et al.	D23/365
5,837,040 A	11/1998	Caughron et al.	96/224
5,879,435 A	3/1999	Satyapal et al.	96/16
5,891,399 A	4/1999	Owesen	422/121
5,997,619 A	12/1999	Knuth et al.	96/224
6,322,614 B1	11/2001	Tillmans	96/16

* cited by examiner

(21) Appl. No.: **29/163,077**
(22) Filed: **Jun. 26, 2002**

Primary Examiner—Robin V. Taylor
(74) *Attorney, Agent, or Firm*—Brian S. Steinberger; Law Offices of Brian S. Steinberger

(51) **LOC (7) Cl.** **23-04**
(52) **U.S. Cl.** **D23/364**
(58) **Field of Search** D23/355, 364,
D23/365; D21/505; D25/26; 55/497, 498;
210/498

(57) **CLAIM**

The ornamental design of a pyramid air cleaner, as shown and described.

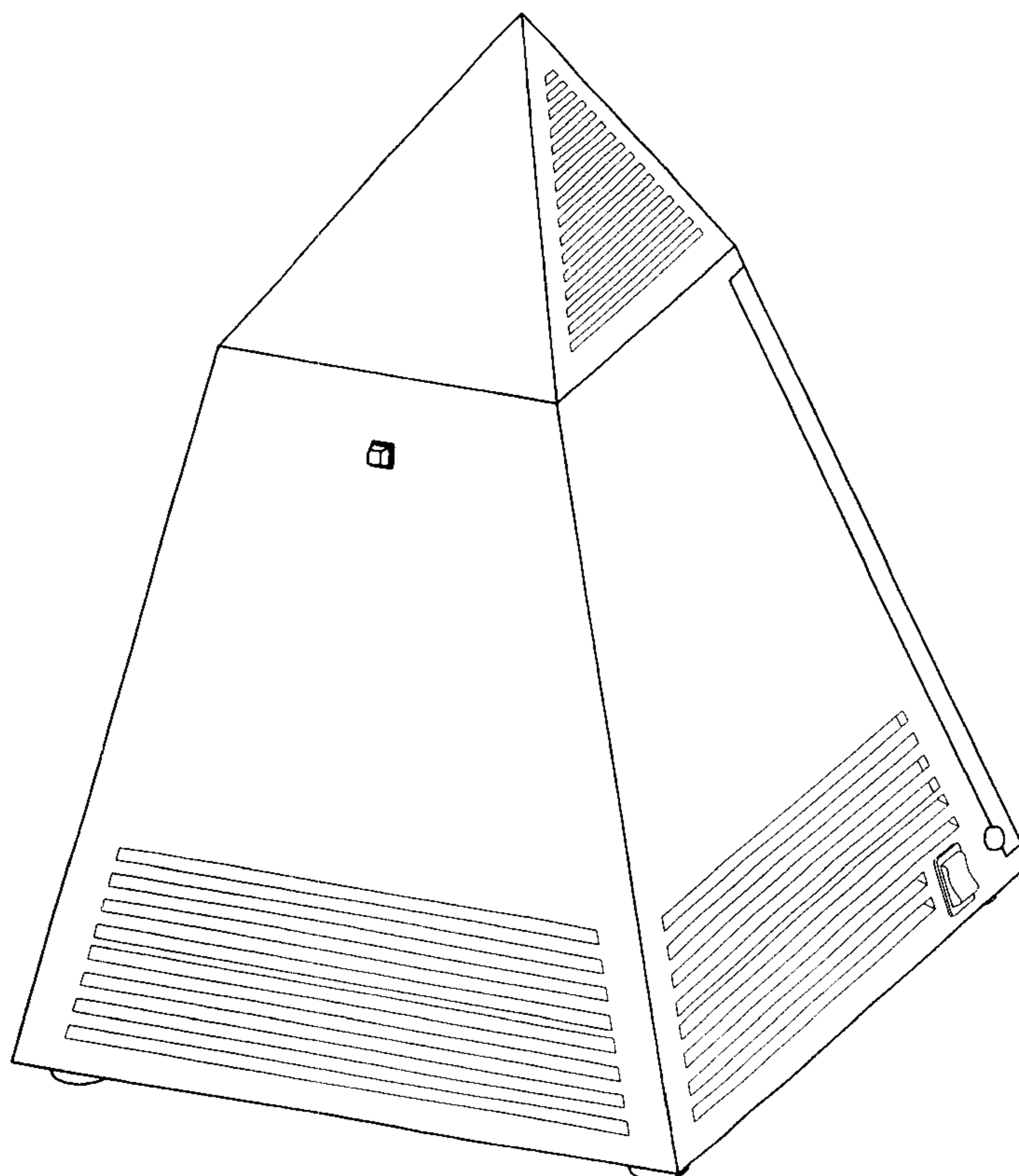
(56) **References Cited**
U.S. PATENT DOCUMENTS

DESCRIPTION

3,900,301 A	8/1975	Constantinescu et al.	55/257
4,095,965 A	6/1978	Neumann et al.	55/270
D263,255 S	* 3/1982	Zima	D25/26
4,750,917 A	6/1988	Fujii	55/6
4,990,313 A	2/1991	Pacosz	422/121
D342,990 S	* 1/1994	Jaroszczyk	D23/365
5,453,049 A	9/1995	Tillman, Jr. et al.	454/228
D370,253 S	* 5/1996	Yuen	D23/355

FIG. 1 is a enlarged perspective view of a pyramid air cleaner.
FIG. 2 is a top view of the pyramid air cleaner.
FIG. 3 is a right side view of the pyramid air cleaner.
FIG. 4 is a back view of the pyramid air cleaner.
FIG. 5 is a left side view of the pyramid air cleaner; and,
FIG. 6 is a front view of the pyramid air cleaner.

1 Claim, 3 Drawing Sheets



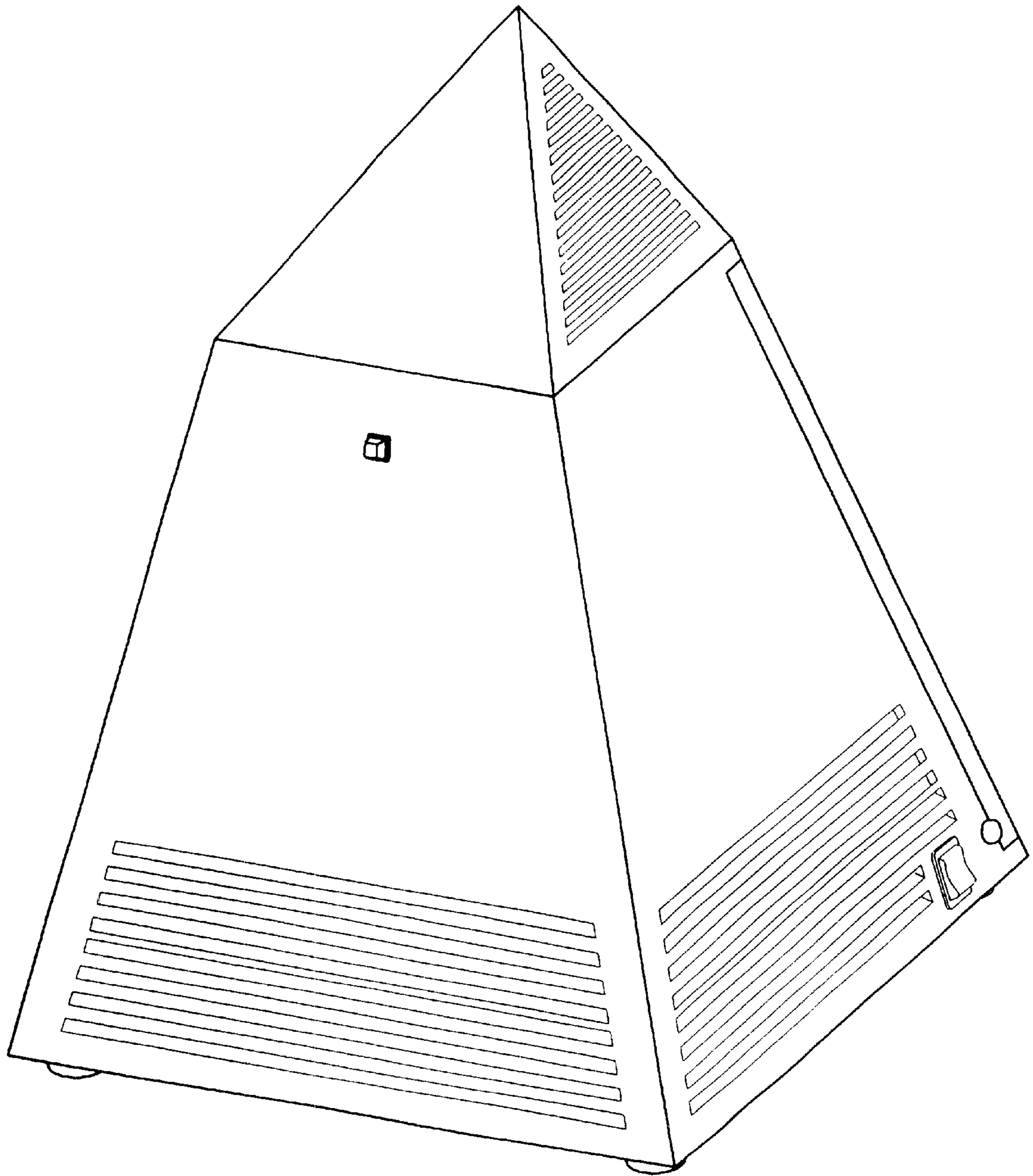


FIG. 1

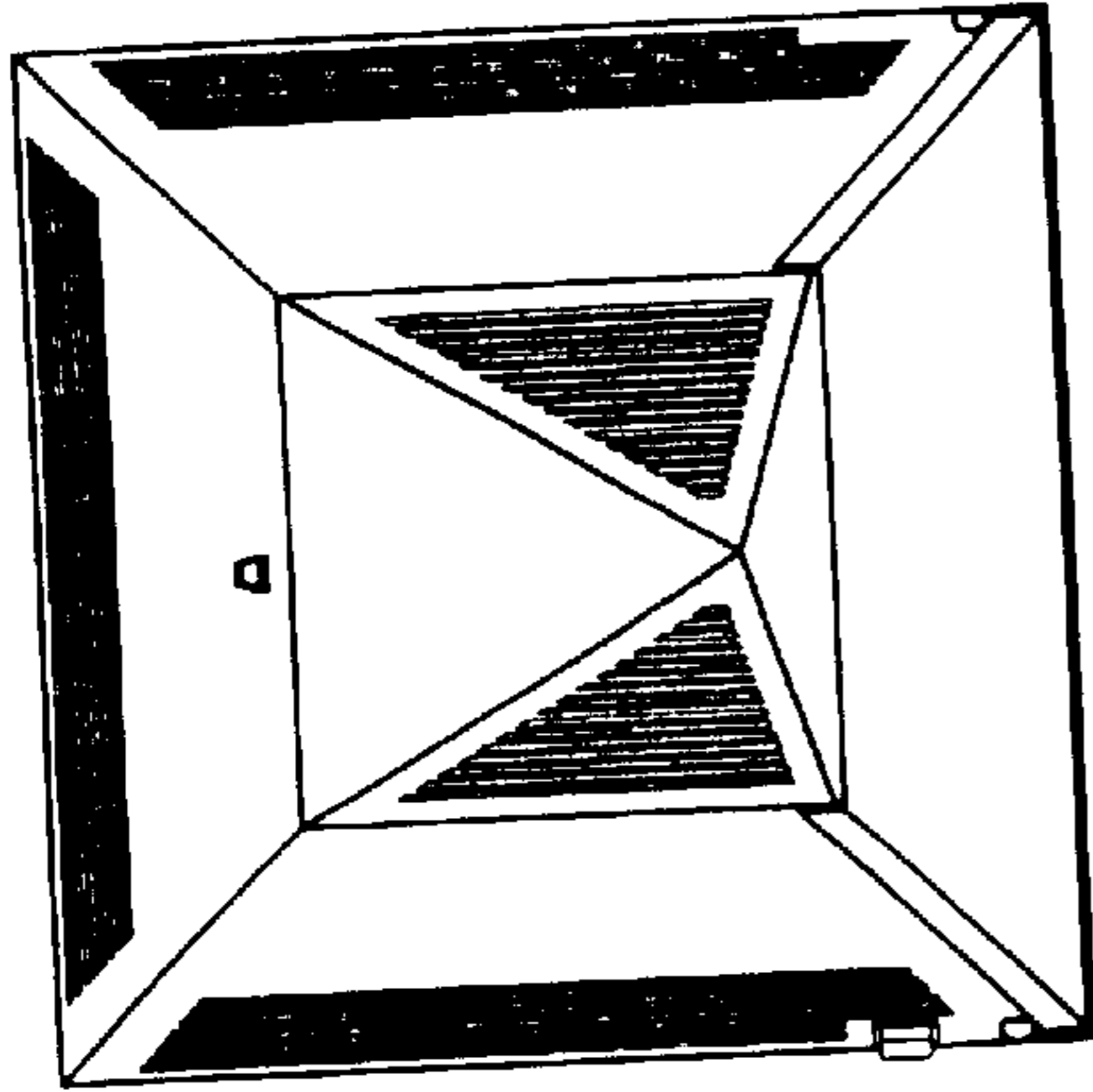


FIG. 2

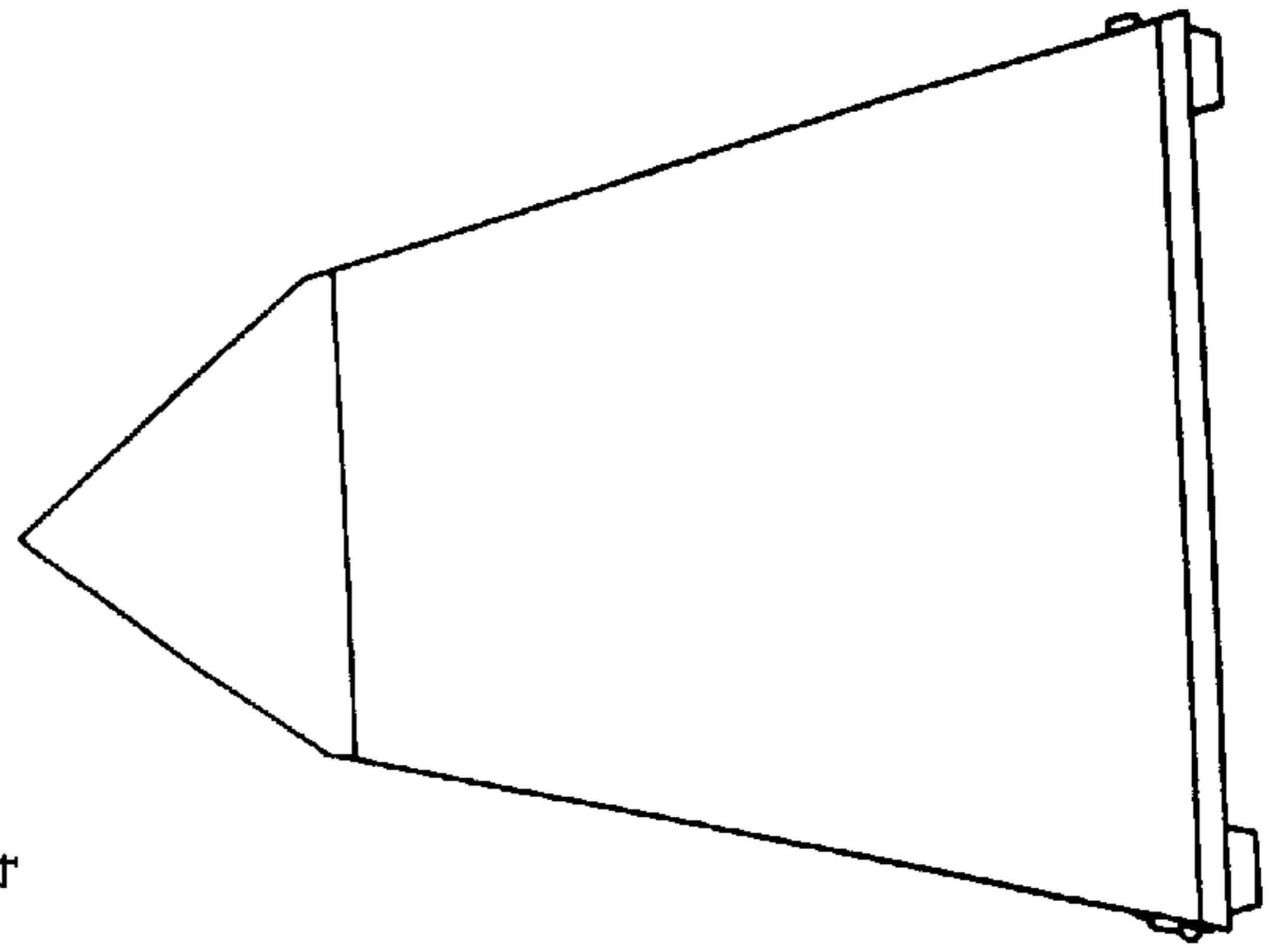


FIG. 4

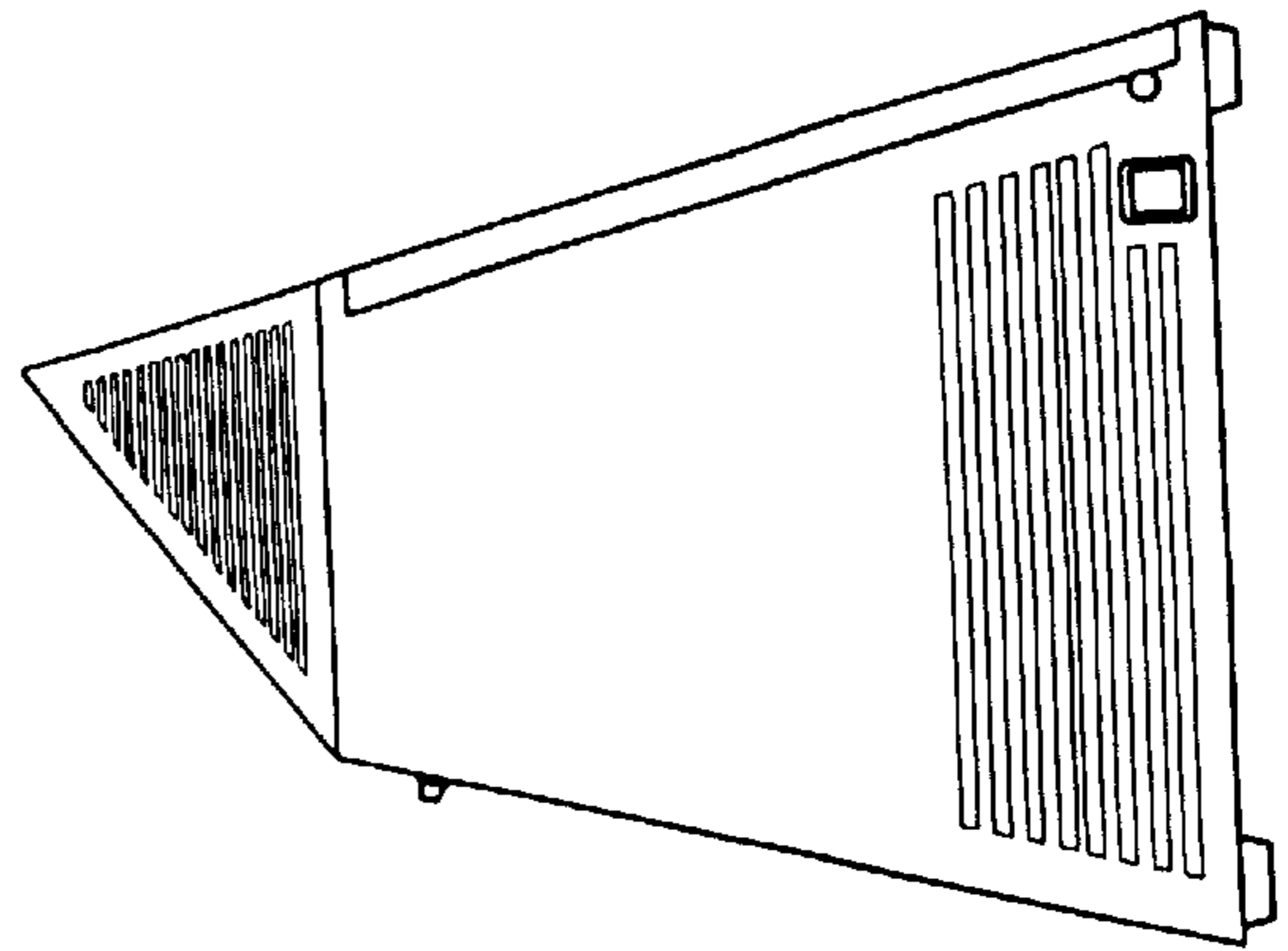


FIG. 3

FIG. 6

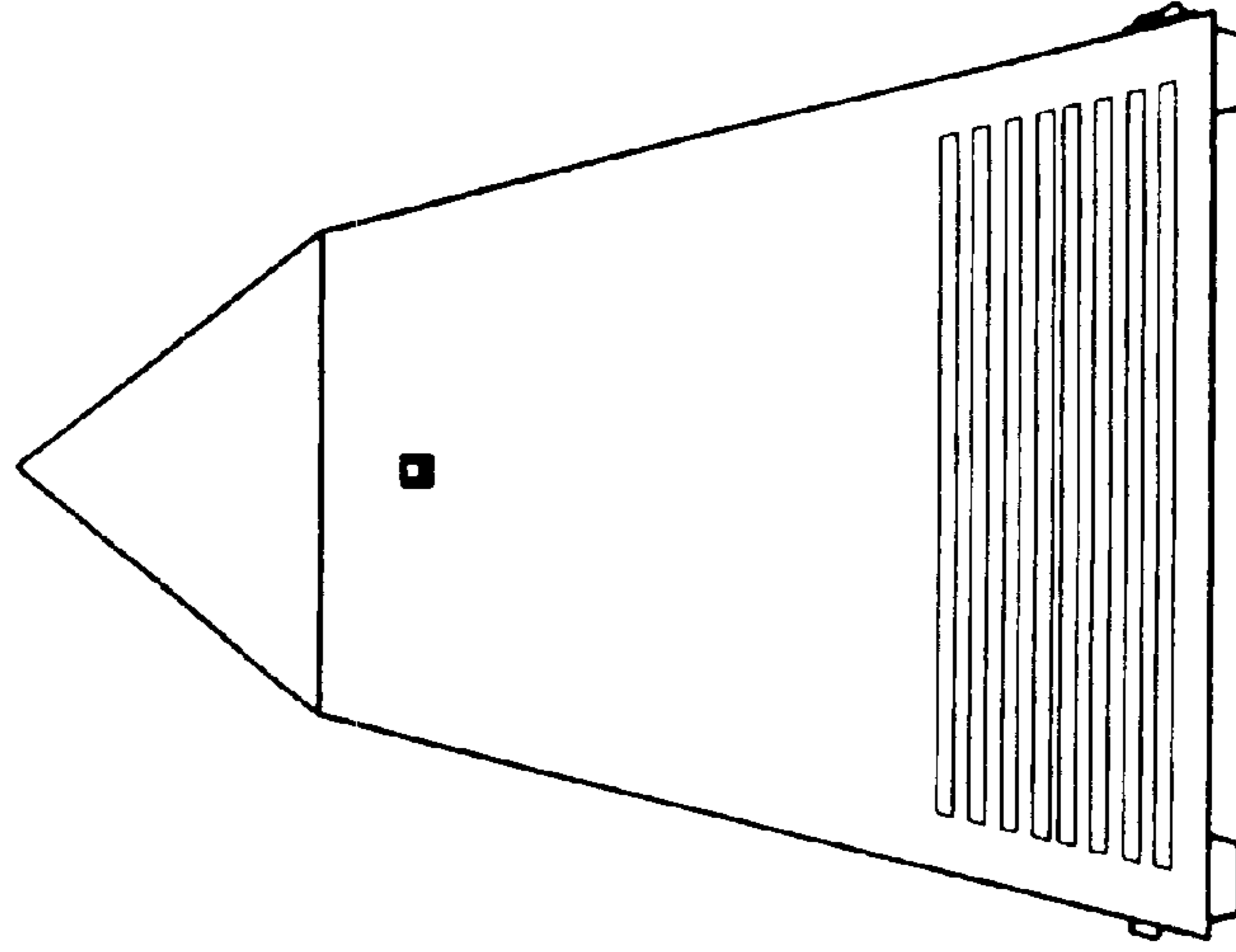


FIG. 5

