



US00D475441S

(12) **United States Design Patent**
Kundig

(10) **Patent No.:** **US D475,441 S**

(45) **Date of Patent:** **** Jun. 3, 2003**

- (54) **SINK**
- (75) Inventor: **Thomas W. Kundig**, Seattle, WA (US)
- (73) Assignee: **Olson/Sundberg Architects, Inc.**,
Seattle, WA (US)
- (**) Term: **14 Years**
- (21) Appl. No.: **29/165,020**
- (22) Filed: **Aug. 1, 2002**
- (51) **LOC (7) Cl.** **23-02**
- (52) **U.S. Cl.** **D23/293.1**
- (58) **Field of Search** D23/272-274,
D23/284-292, 293.1, 303, 308; 4/619-620,
623-624, 631-636, 638, 643-652, 661,
663-666

- D185,610 S * 6/1959 Nearman D23/273
- D185,650 S * 7/1959 Voorhees et al. D23/293.1 X
- D232,092 S * 7/1974 Schrock D23/293.1
- D244,291 S * 5/1977 Baker D23/293.1
- D307,465 S * 4/1990 Phillips D23/289

* cited by examiner

Primary Examiner—Louis S. Zarfes
Assistant Examiner—Robert A. Delehanty
 (74) *Attorney, Agent, or Firm*—Christensen O'Connor
 Johnson Kindness PLLC

(57) **CLAIM**

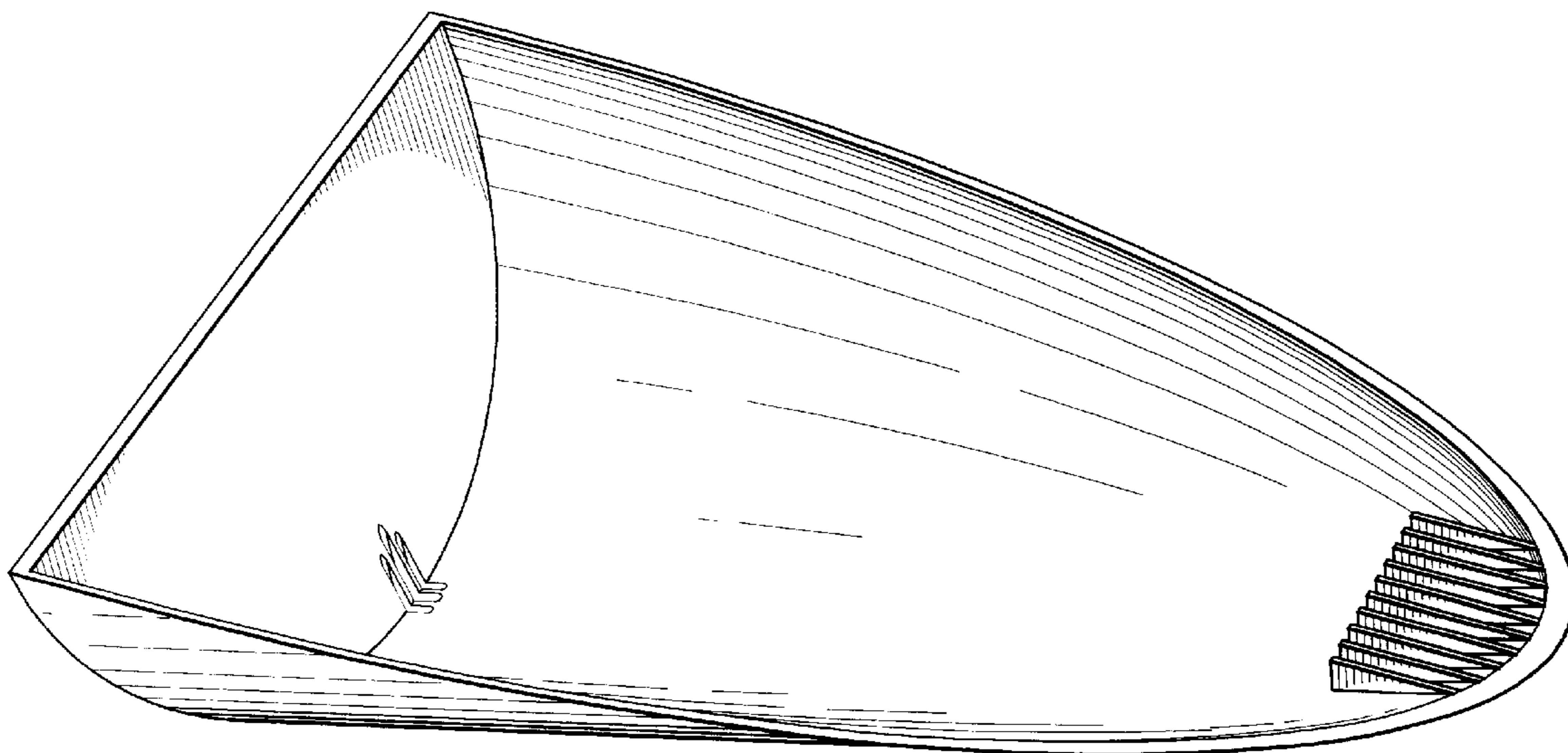
The ornamental design for a sink, as shown in the drawings.

DESCRIPTION

FIG. 1 is a perspective view of a sink;
 FIG. 2 is a perspective view of a sink;
 FIG. 3 is a side view of a sink, its opposite side similar in
 appearance;
 FIG. 4 is a top view of a sink;
 FIG. 5 is a front view of a sink;
 FIG. 6 is a back view of a sink; and,
 FIG. 7 is a bottom view of a sink.

1 Claim, 3 Drawing Sheets

- (56) **References Cited**
- U.S. PATENT DOCUMENTS**
- 168,052 A * 9/1875 Robinson 4/652
- 1,535,761 A * 4/1925 Boyles 4/622
- 2,061,142 A * 11/1936 Denocenzo 4/622
- D150,917 S * 9/1948 Berg D23/293.1 X



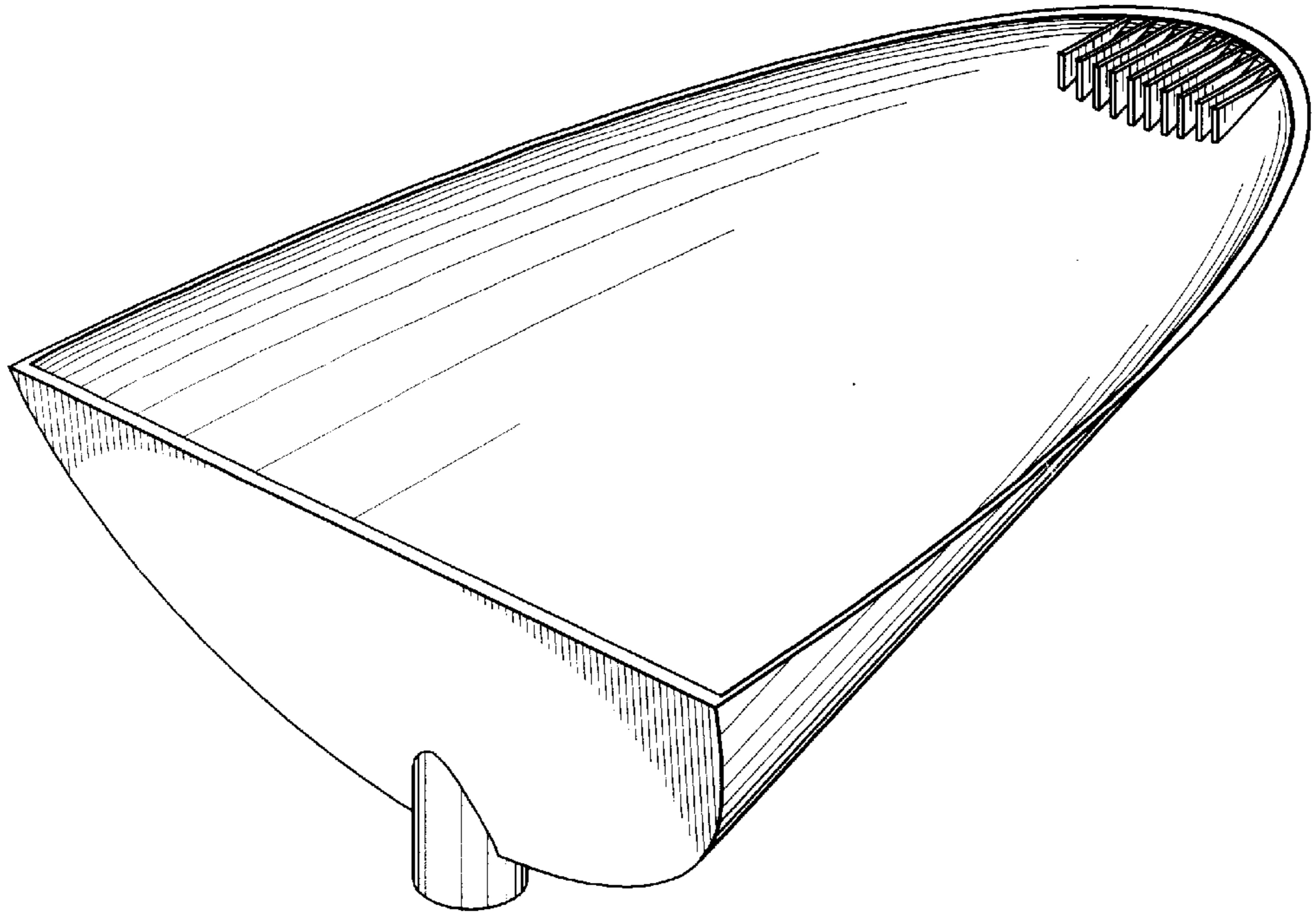


Fig. 1.

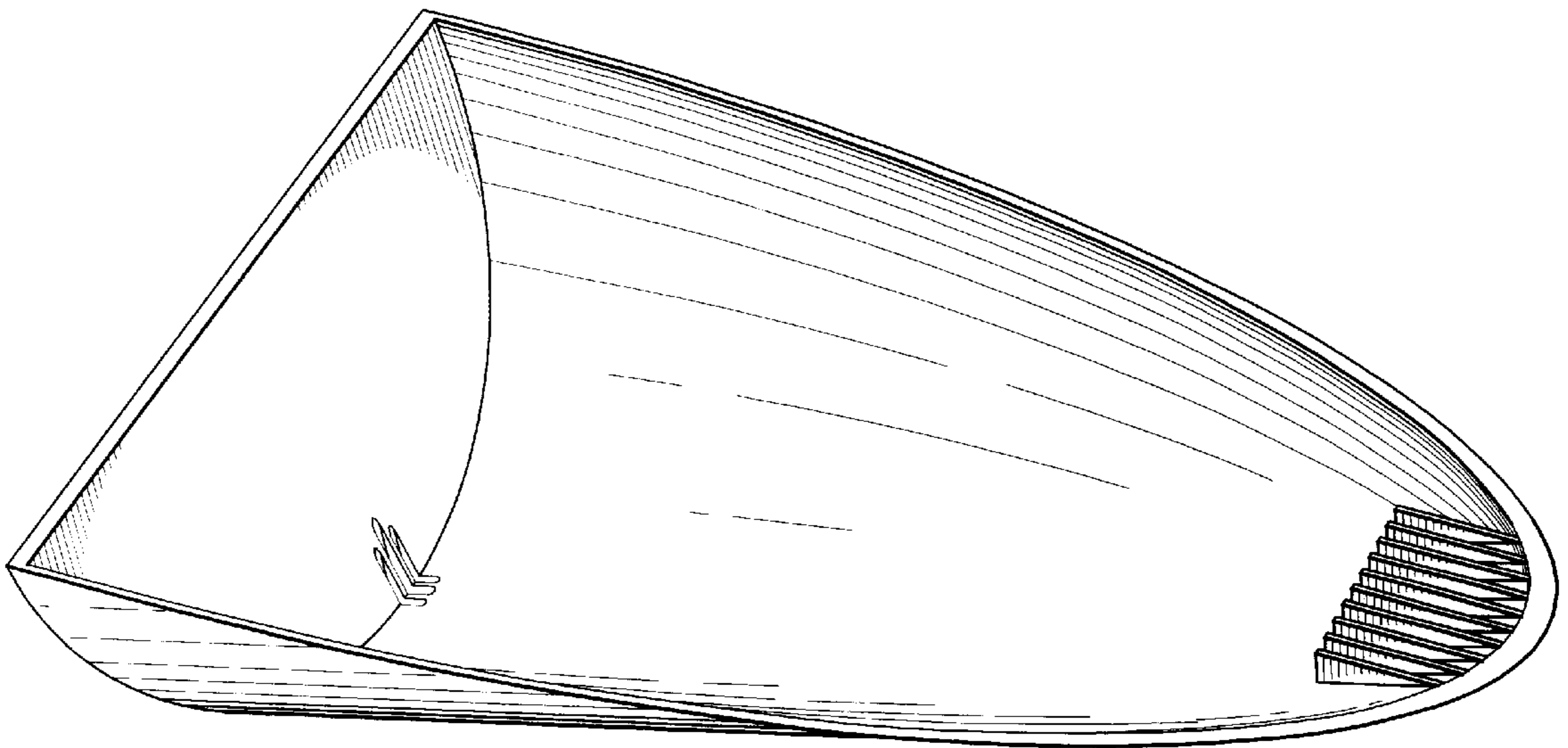


Fig. 2.

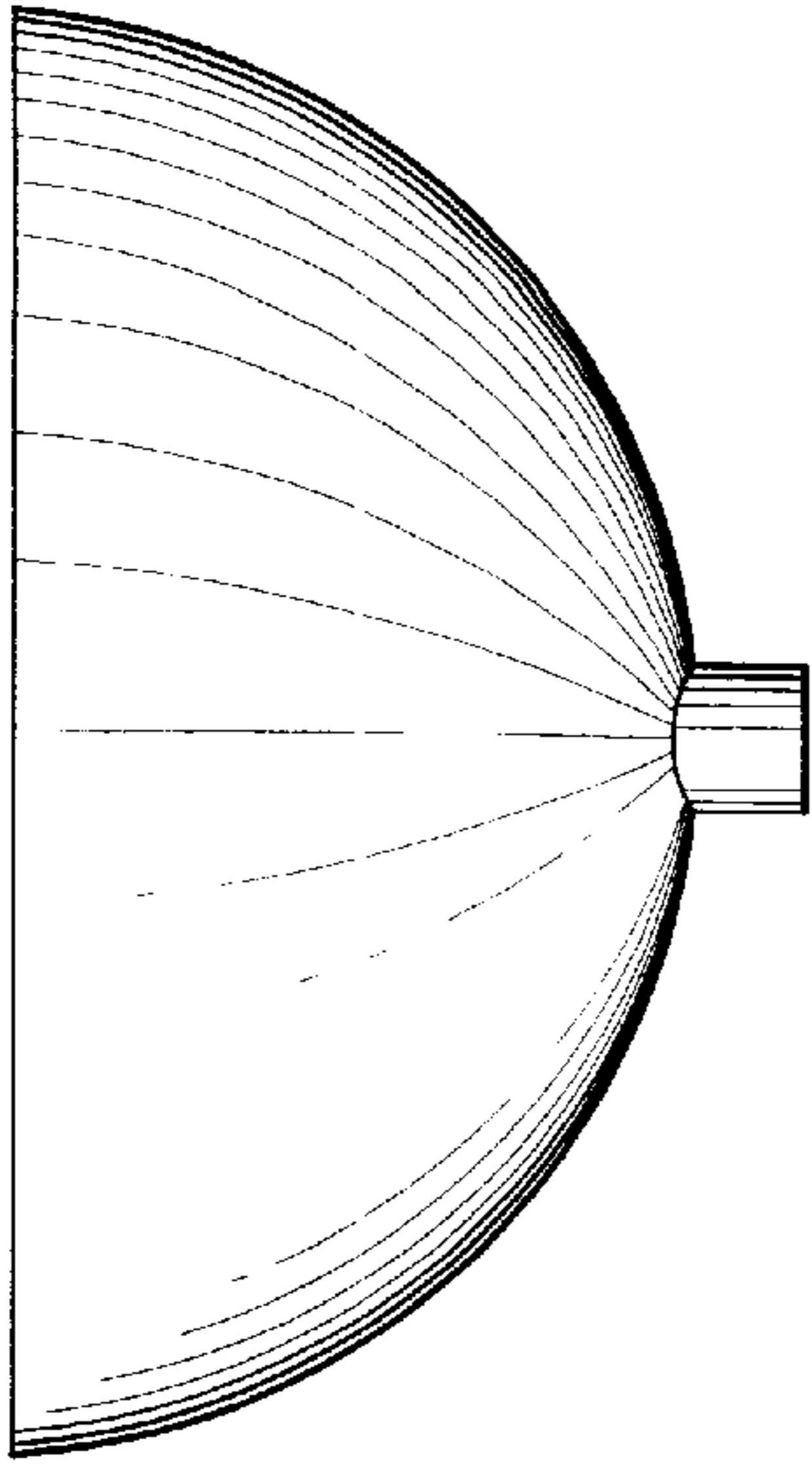


Fig. 5.

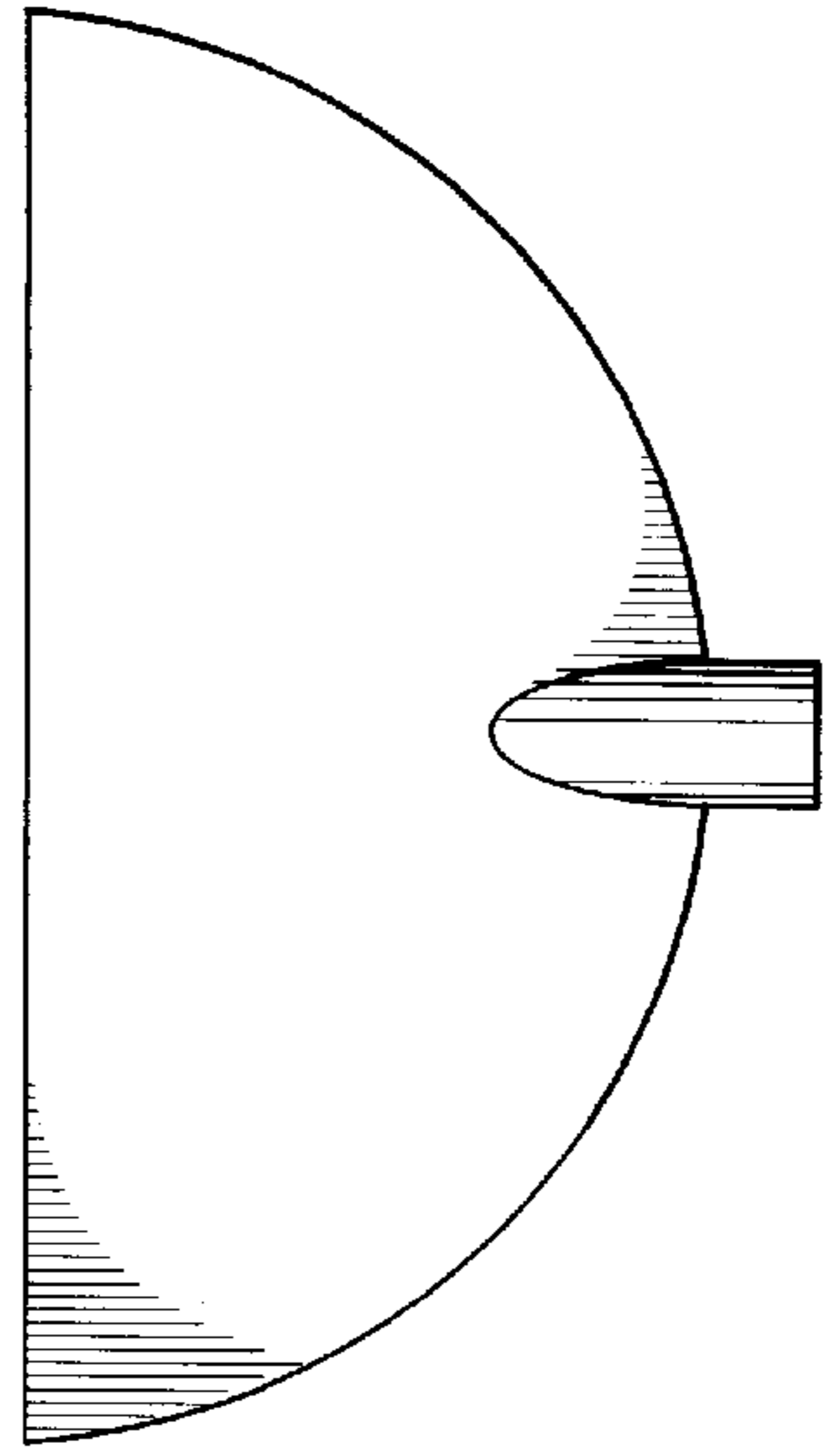


Fig. 6.

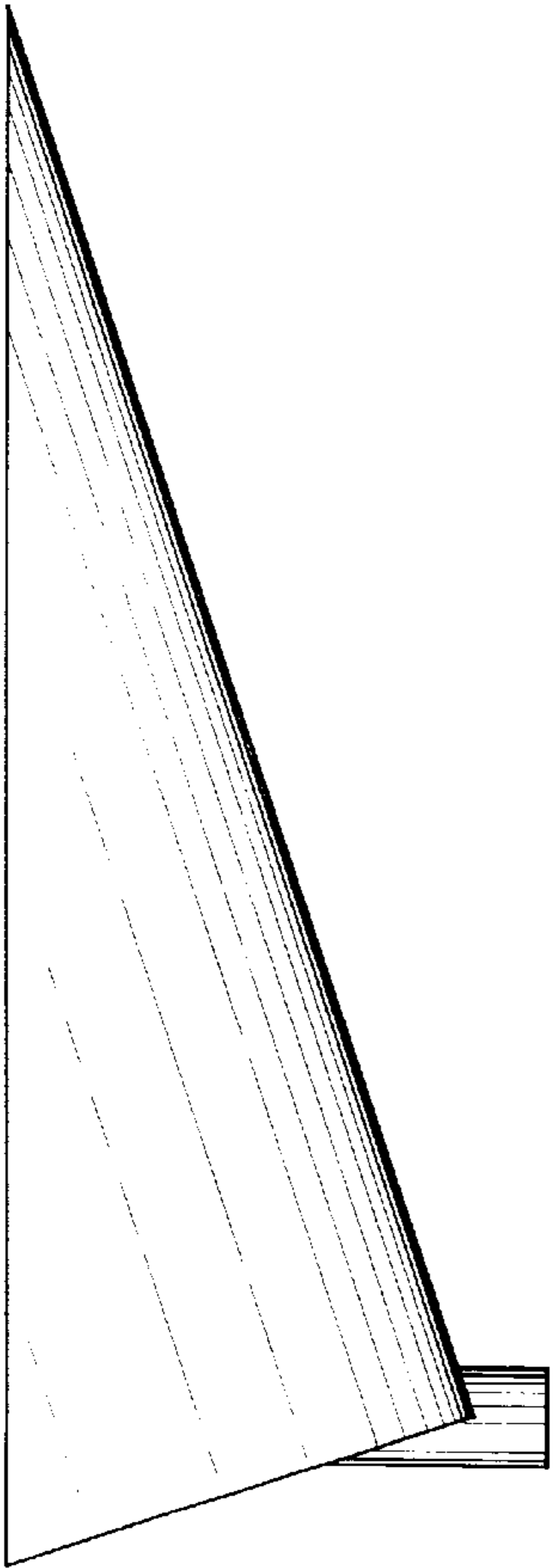


Fig. 3.

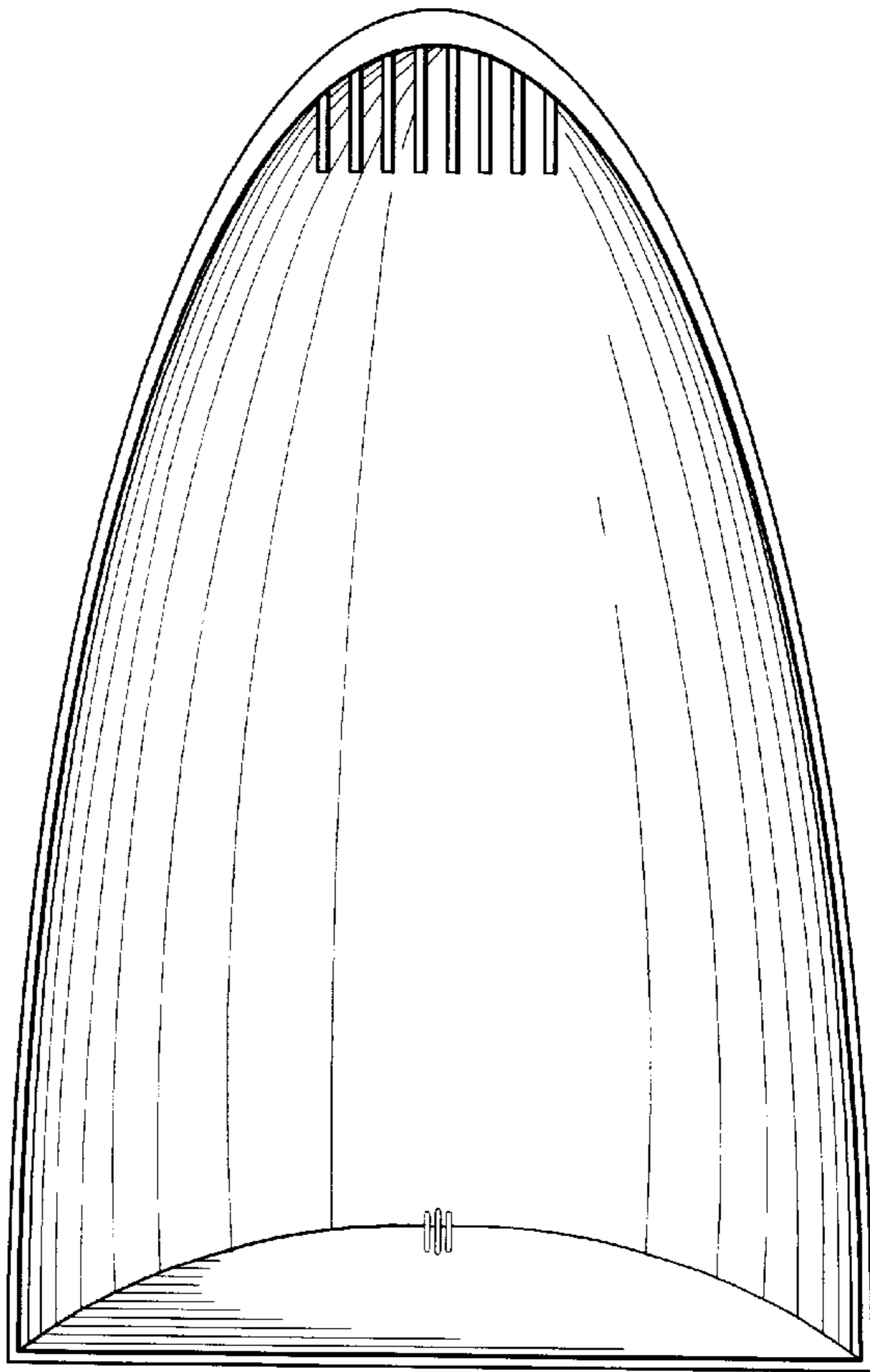


Fig. 4.

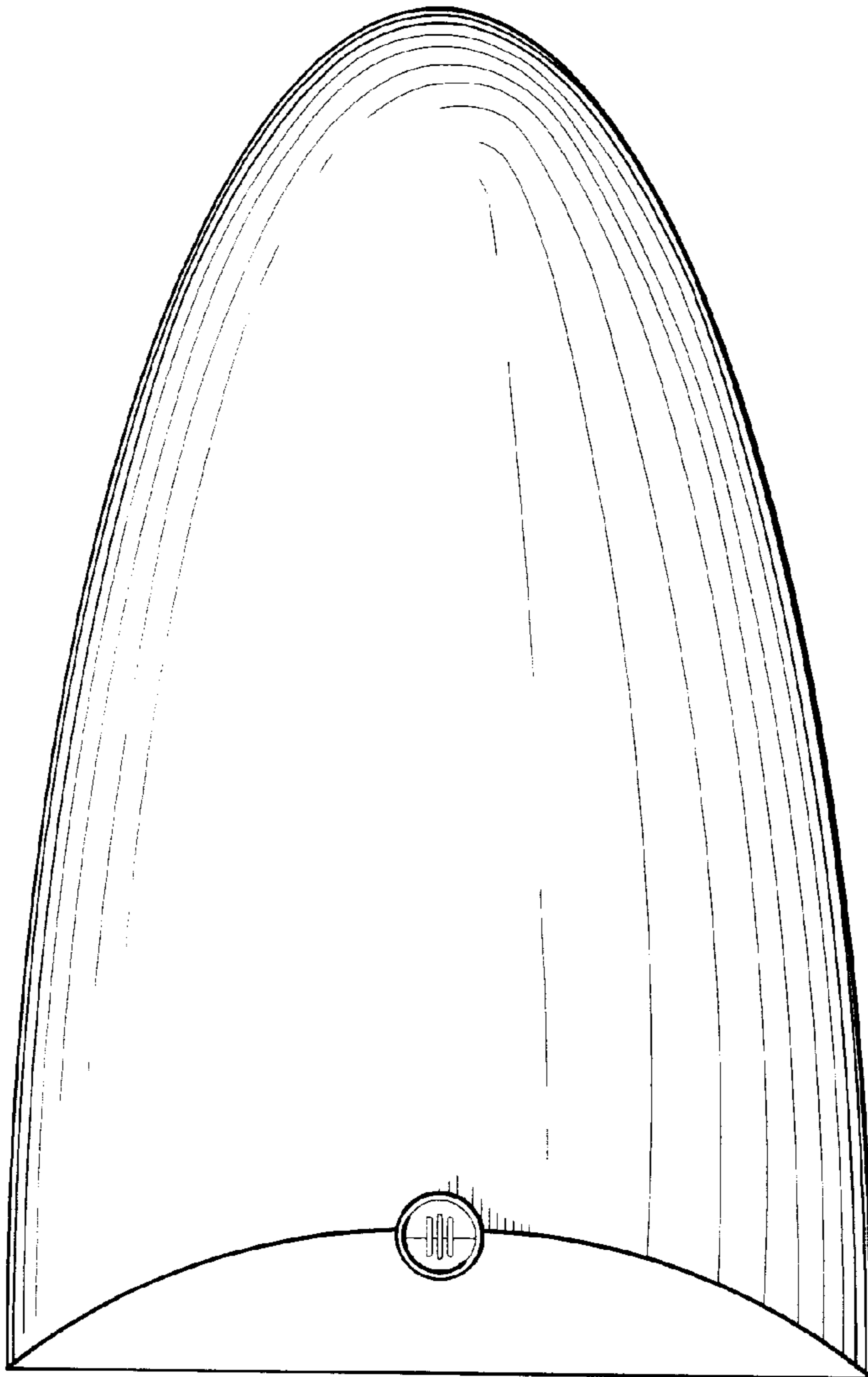


Fig. 7.