



US00D475440S

(12) **United States Design Patent**  
**Sawyer**

(10) **Patent No.:** **US D475,440 S**

(45) **Date of Patent:** **\*\* Jun. 3, 2003**

(54) **GUTTER DRAIN DEVICE**

5,526,612 A \* 6/1996 Wade ..... 52/12

(76) Inventor: **Diana A. Sawyer**, 62 Homestead La.,  
Yarmouth Port, MA (US) 02675

\* cited by examiner

(\*\*) Term: **14 Years**

*Primary Examiner*—Robin V. Taylor  
(74) *Attorney, Agent, or Firm*—McCormick, Paulding &  
Huber LLP

(21) Appl. No.: **29/169,940**

(57) **CLAIM**

(22) Filed: **Oct. 29, 2002**

The ornamental design for a gutter drain device, as shown  
and described.

**Related U.S. Application Data**

**DESCRIPTION**

(62) Division of application No. 29/160,113, filed on May 3,  
2002.

FIG. 1 is a perspective view of a device configured in  
accordance with the present invention;

(51) **LOC (7) Cl.** ..... **23-01**

FIG. 2 is a left side elevational view of the device of FIG.  
1;

(52) **U.S. Cl.** ..... **D23/267**

(58) **Field of Search** ..... D23/267; 52/11,  
52/16; 285/183, 424

FIG. 3 is a front elevational view of the device of FIG. 1;  
FIG. 4 is a rear elevational view of the device of FIG. 1;  
FIG. 5 is a top plan view of the device of FIG. 1; and,  
FIG. 6 is a bottom plan view of the device of FIG. 1.

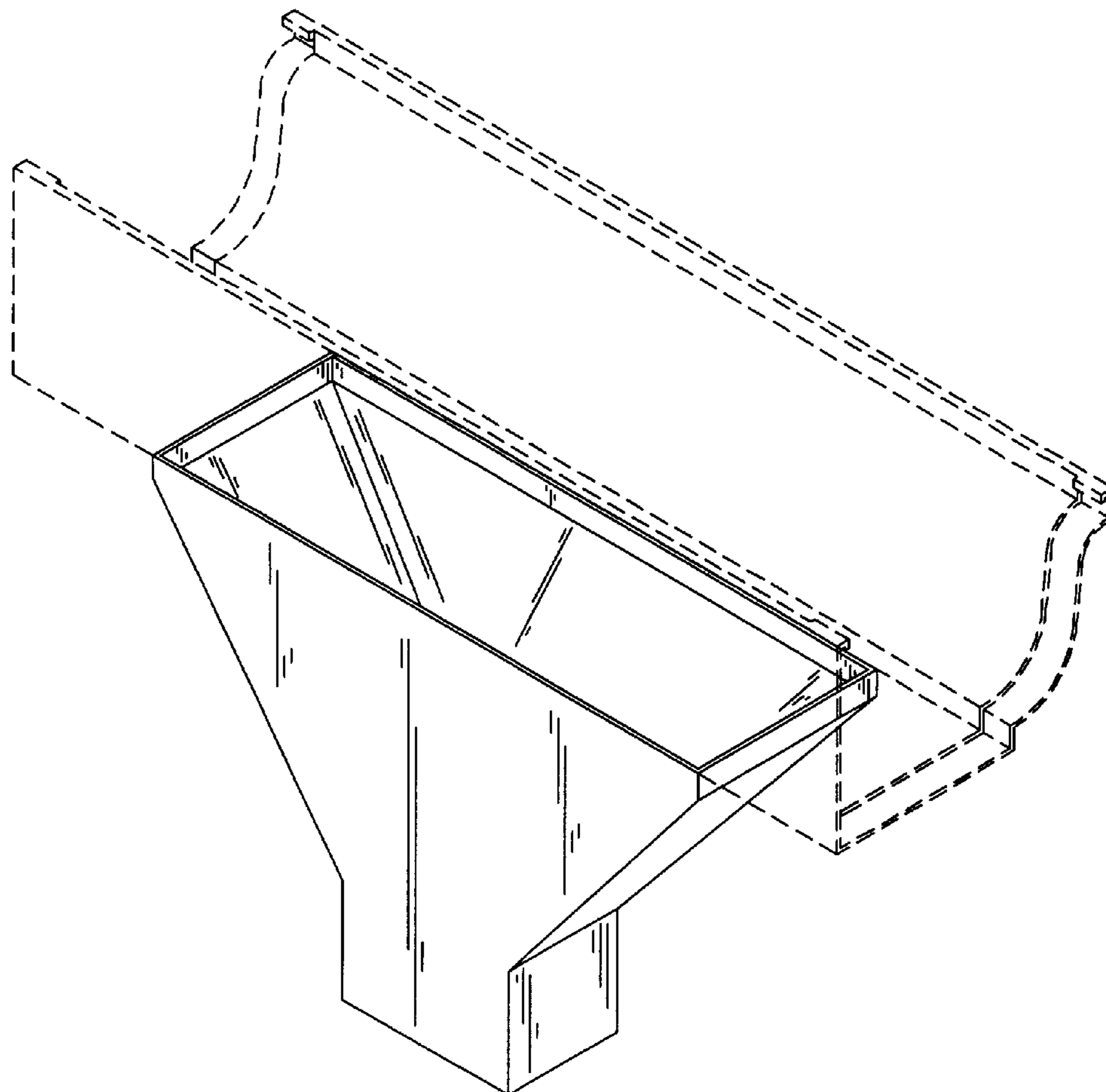
(56) **References Cited**

The broken lines shown in FIGS. 1–6 and for illustrative  
purposes only and form no part of the claimed design.

**U.S. PATENT DOCUMENTS**

2,777,405 A \* 1/1957 Ager ..... 52/16  
4,956,948 A \* 9/1990 Hart ..... 52/16

**1 Claim, 4 Drawing Sheets**



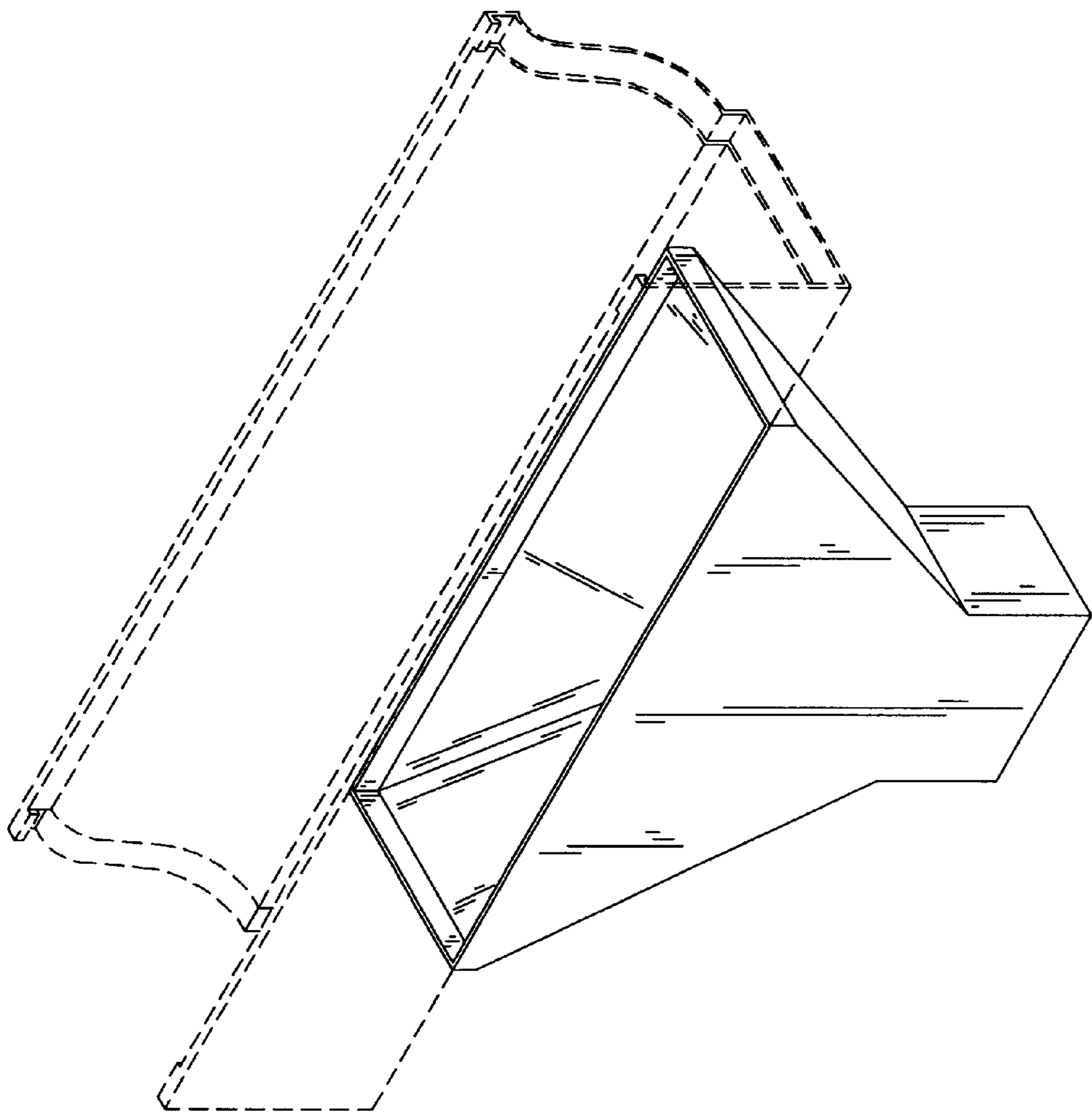


FIG. 1

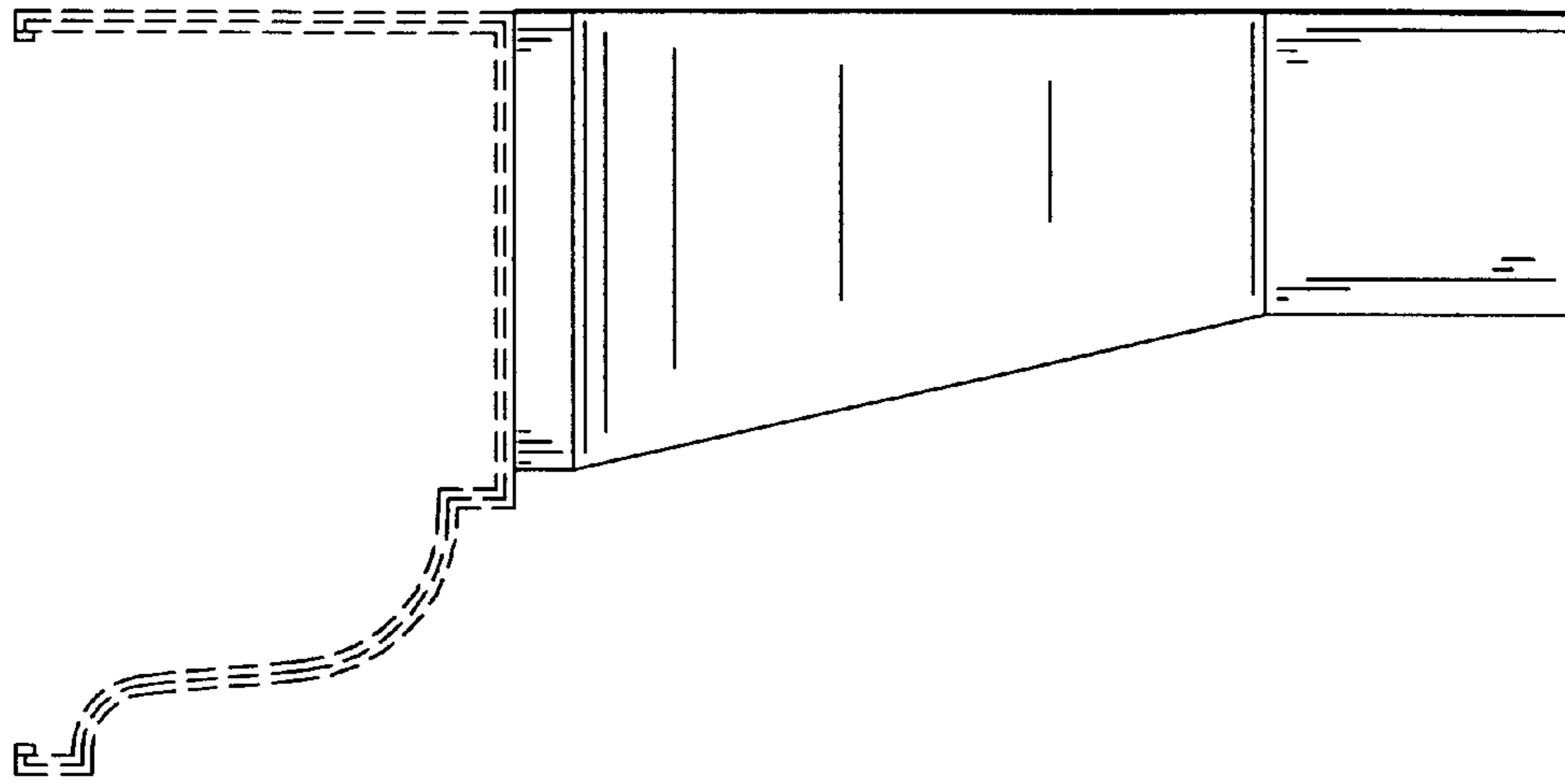


FIG. 2

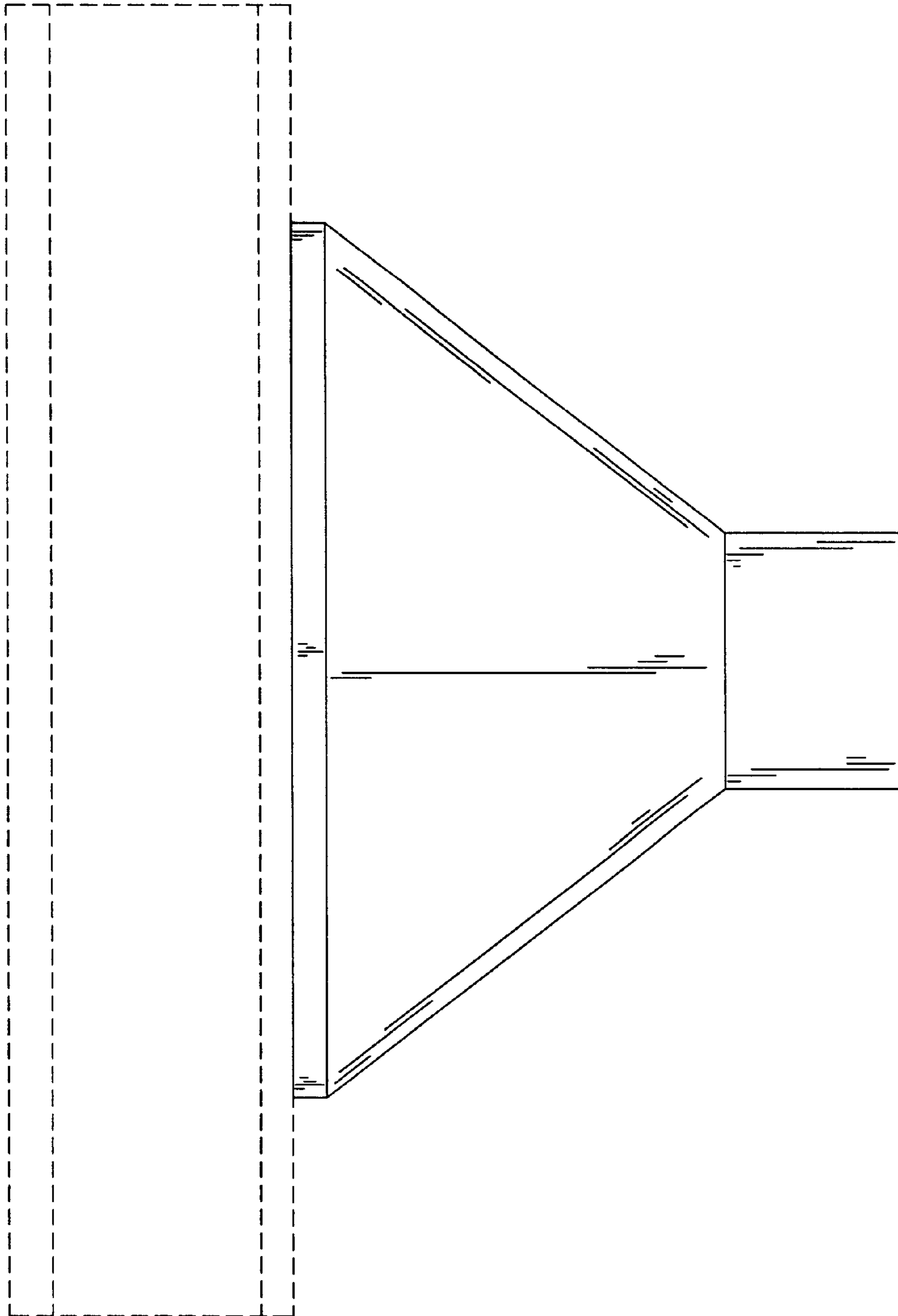


FIG. 3

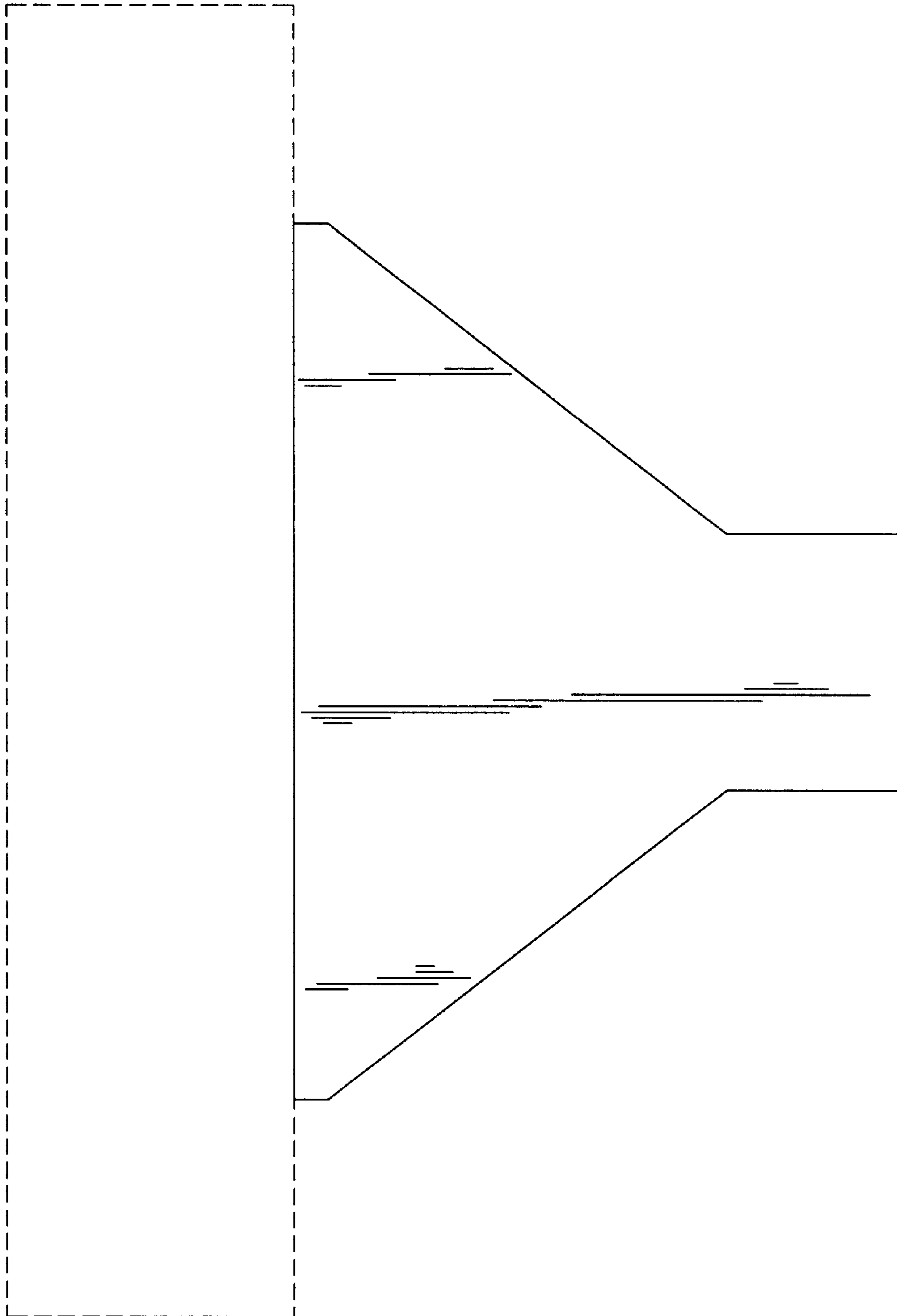


FIG. 4

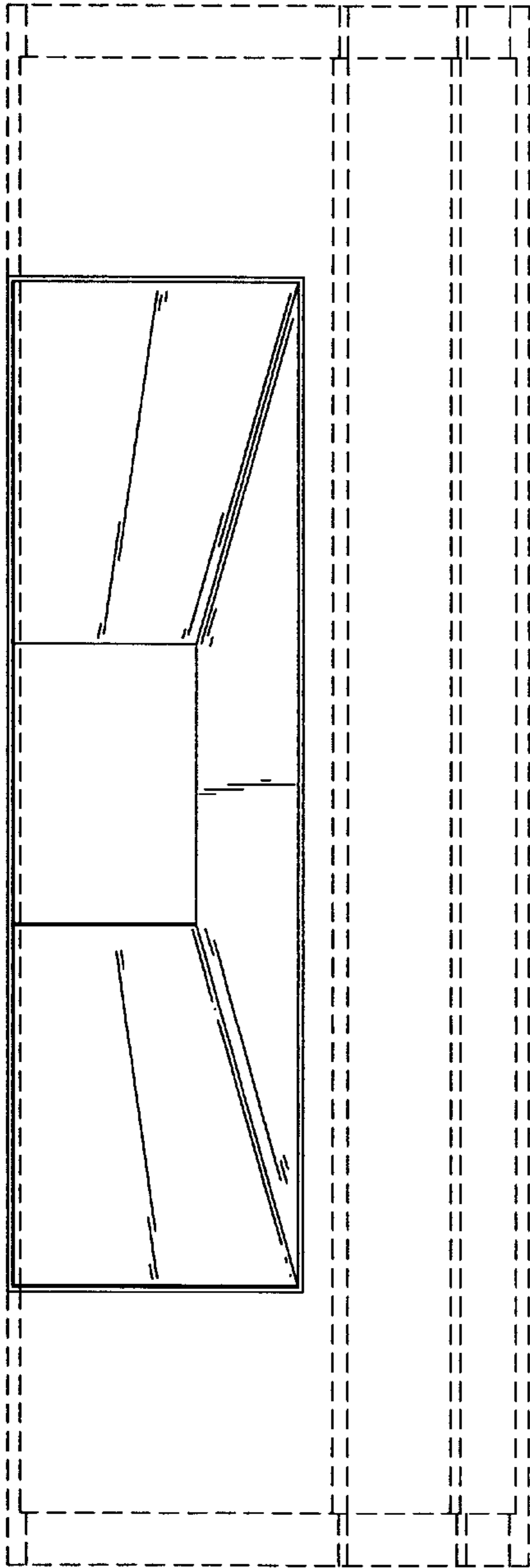


FIG. 5

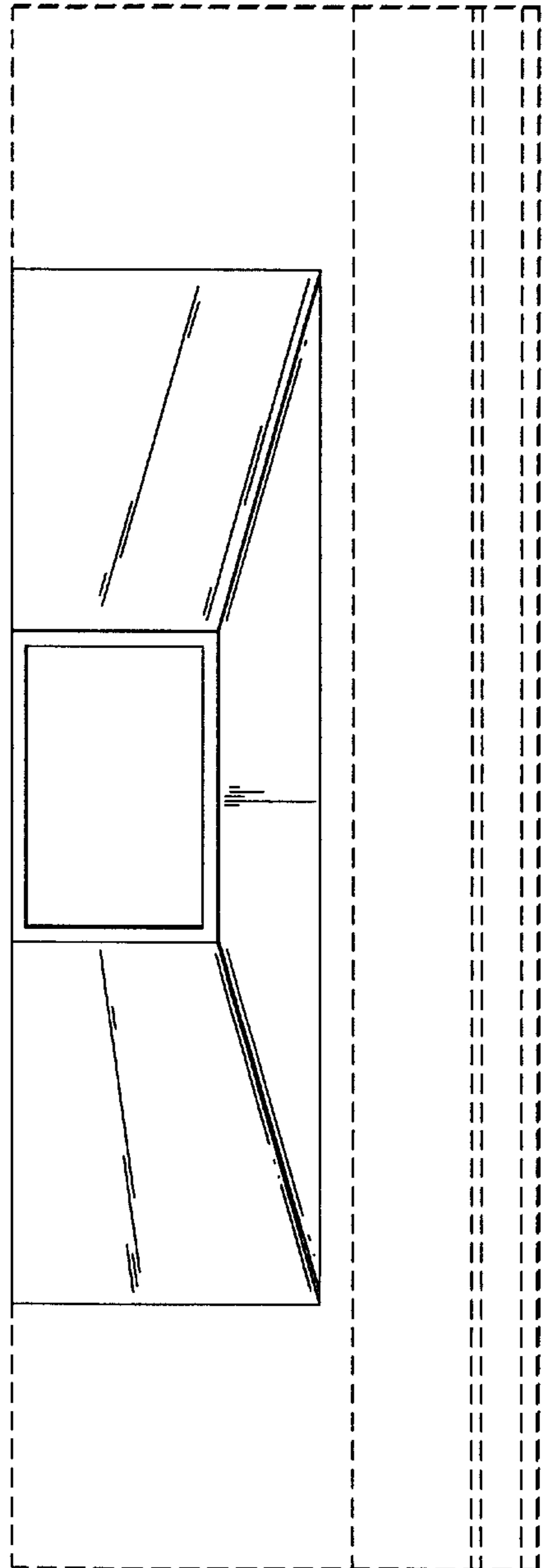


FIG. 6