



US00D475437S

(12) **United States Design Patent**
Dimitriadis et al.

(10) **Patent No.:** **US D475,437 S**

(45) **Date of Patent:** **** Jun. 3, 2003**

(54) **SANITARY FITTING**

(75) Inventors: **Andreas Dimitriadis**, Leinzell (DE);
Tom Schönherr, Stuttgart (DE);
Andreas Haug, Stuttgart (DE); **Felix**
Ballerstedt, Berlin (DE)

(73) Assignee: **Hansgrohe AG**, Schiltach (DE)

(**) Term: **14 Years**

(21) Appl. No.: **29/168,502**

(22) Filed: **Oct. 3, 2002**

(30) **Foreign Application Priority Data**

Apr. 4, 2002 (DE) 4 02 02 956

(51) **LOC (7) Cl.** **23-01**

(52) **U.S. Cl.** **D23/242; D23/228; D23/304**

(58) **Field of Search** **D23/228, 304,**
D23/213, 240, 229, 230; 4/615, 570; 239/587.1,
587.2, 587.5, 548

(56) **References Cited**

U.S. PATENT DOCUMENTS

2,100,186 A * 11/1937 Hagopian 4/615
D385,333 S * 10/1997 Caroen et al. D23/228
D466,992 S * 12/2002 Tse D23/304

OTHER PUBLICATIONS

Robinetterie Alpi, brochure "Balmoral Collection," four pages, Jan., 1999.

Guerini Docce s.n.c., catalog, "Niagara", two pages, Mar., 2002.

Rubinetterie Cristina S.p.A., brochure, "Collection 2002/2", pp. 22 and 23, Jul., 2000.

* cited by examiner

Primary Examiner—Robin V. Taylor

(74) *Attorney, Agent, or Firm*—Duane Morris, LLP

(57) **CLAIM**

The ornamental design for a sanitary fitting, as shown and described.

DESCRIPTION

FIG. 1: is a side perspective view of the sanitary fitting showing our new design;

FIG. 2: is a front elevation view thereof;

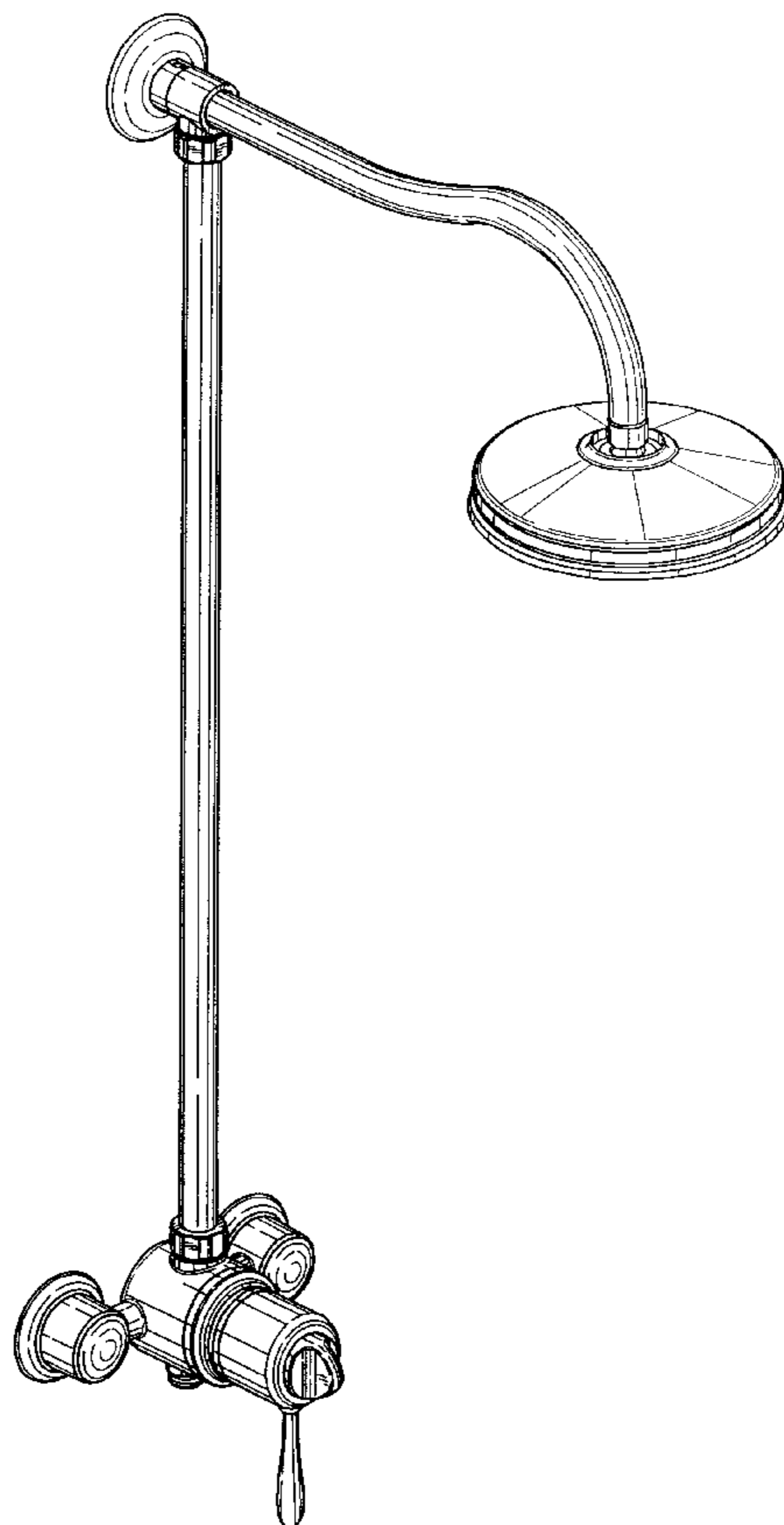
FIG. 3: is a side elevation view thereof (the opposite side being a mirror image);

FIG. 4: is a rear elevation view thereof;

FIG. 5: is a bottom plan view thereof; and,

FIG. 6: is a top plan view thereof.

1 Claim, 6 Drawing Sheets



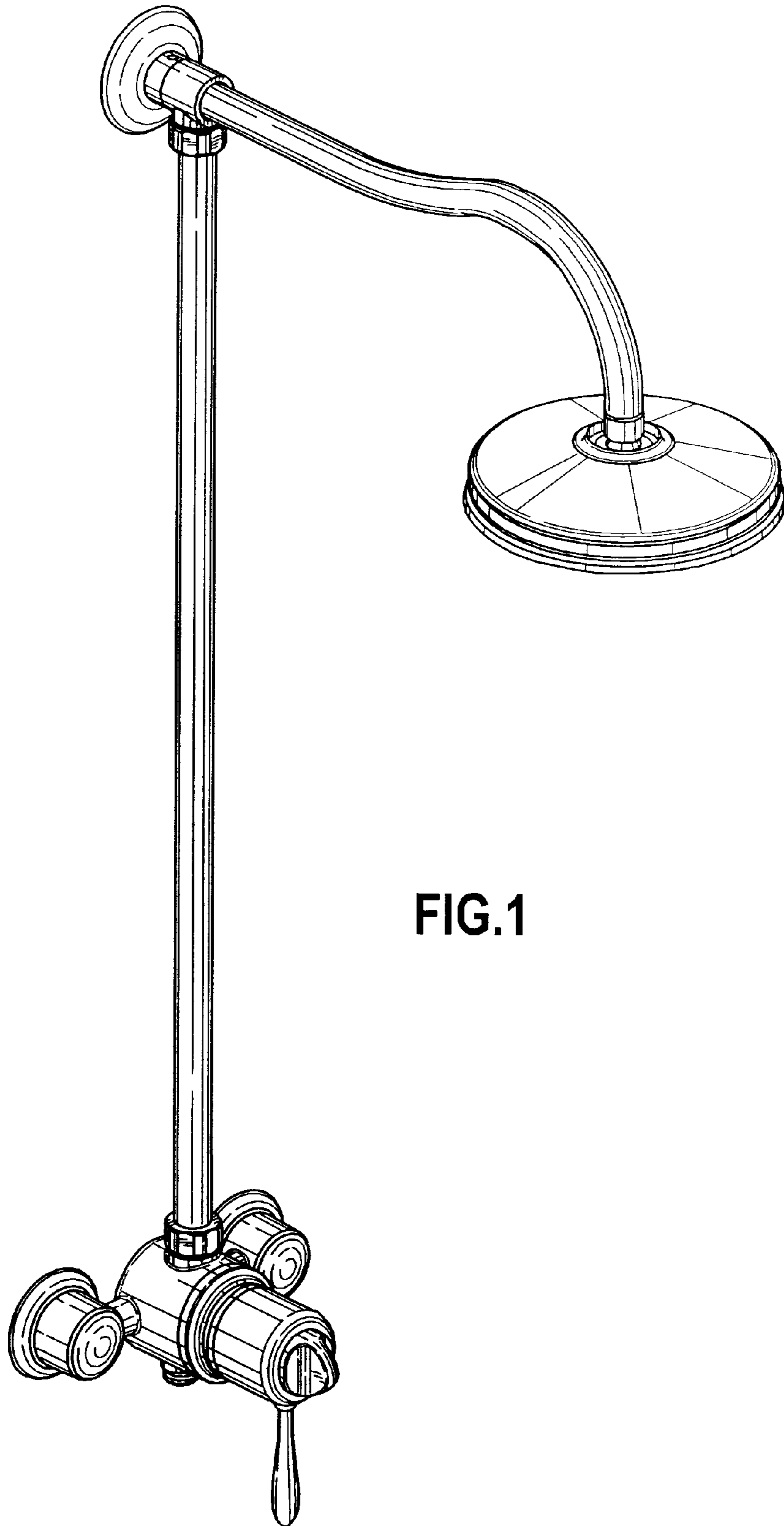


FIG.1

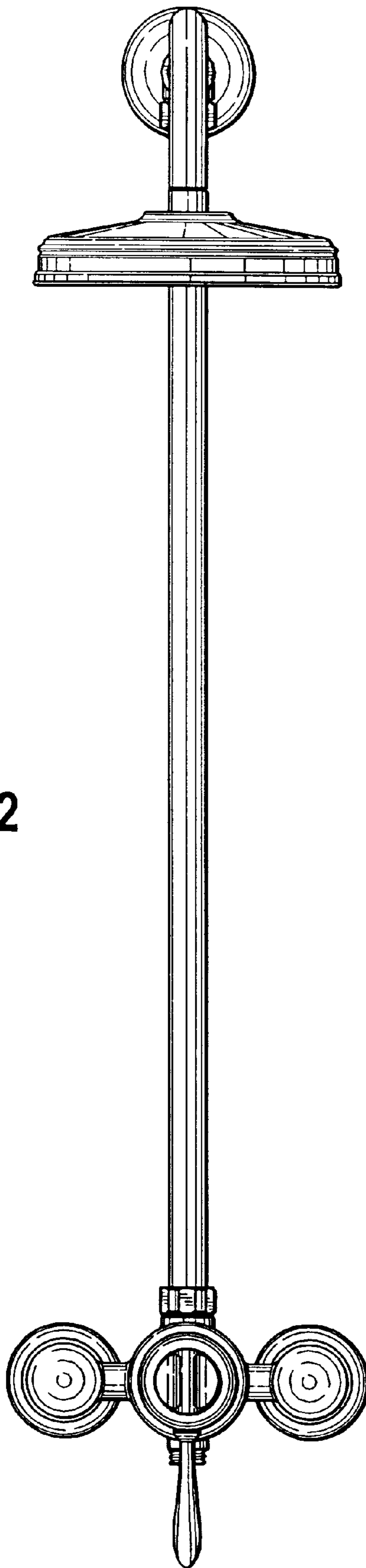


FIG.2

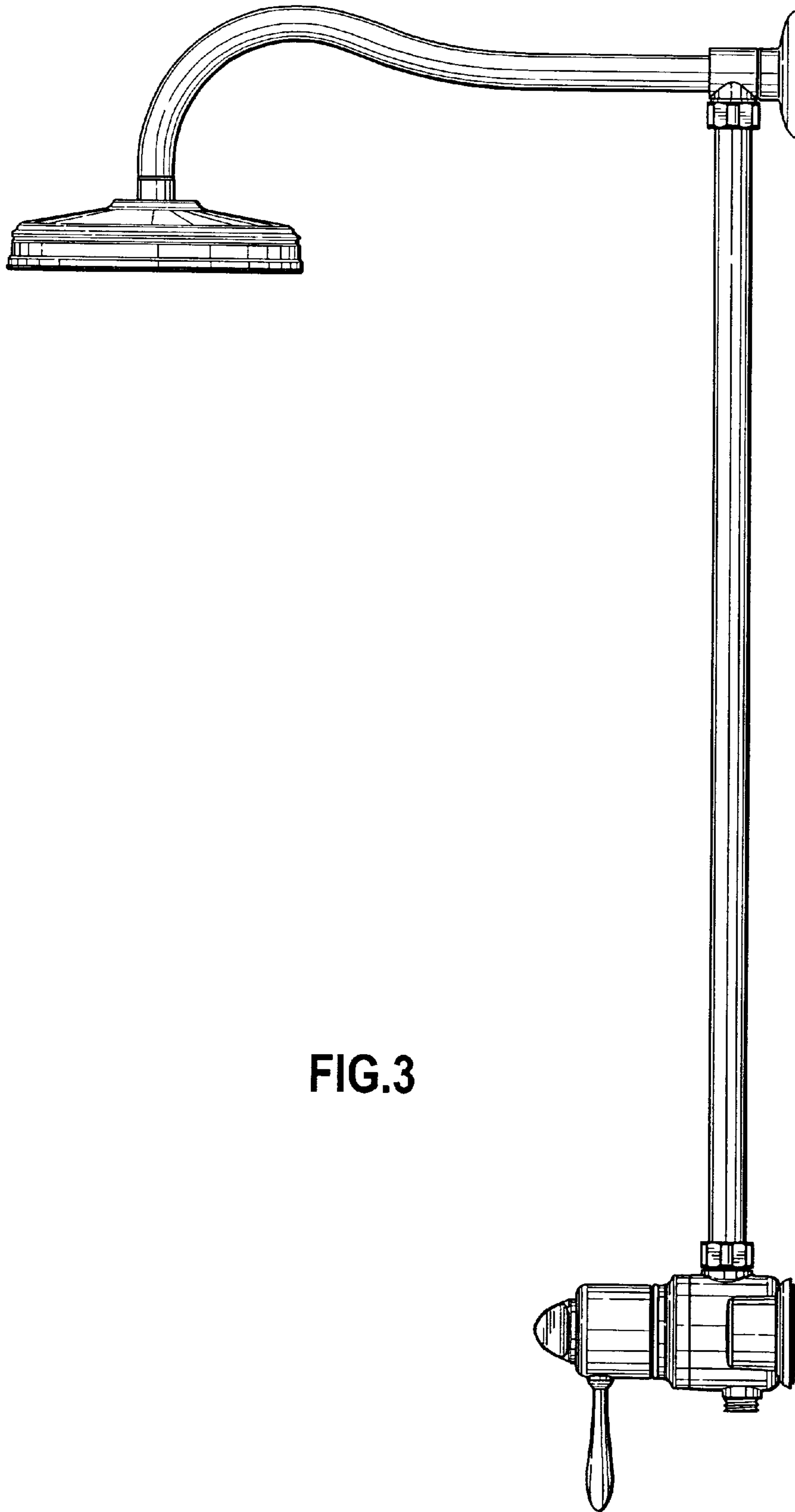


FIG.3

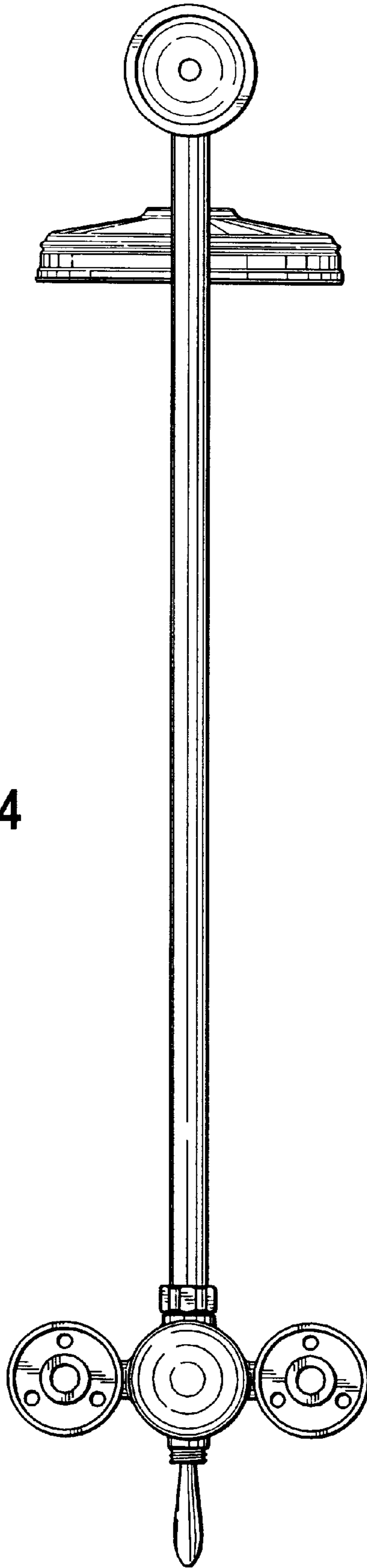


FIG.4

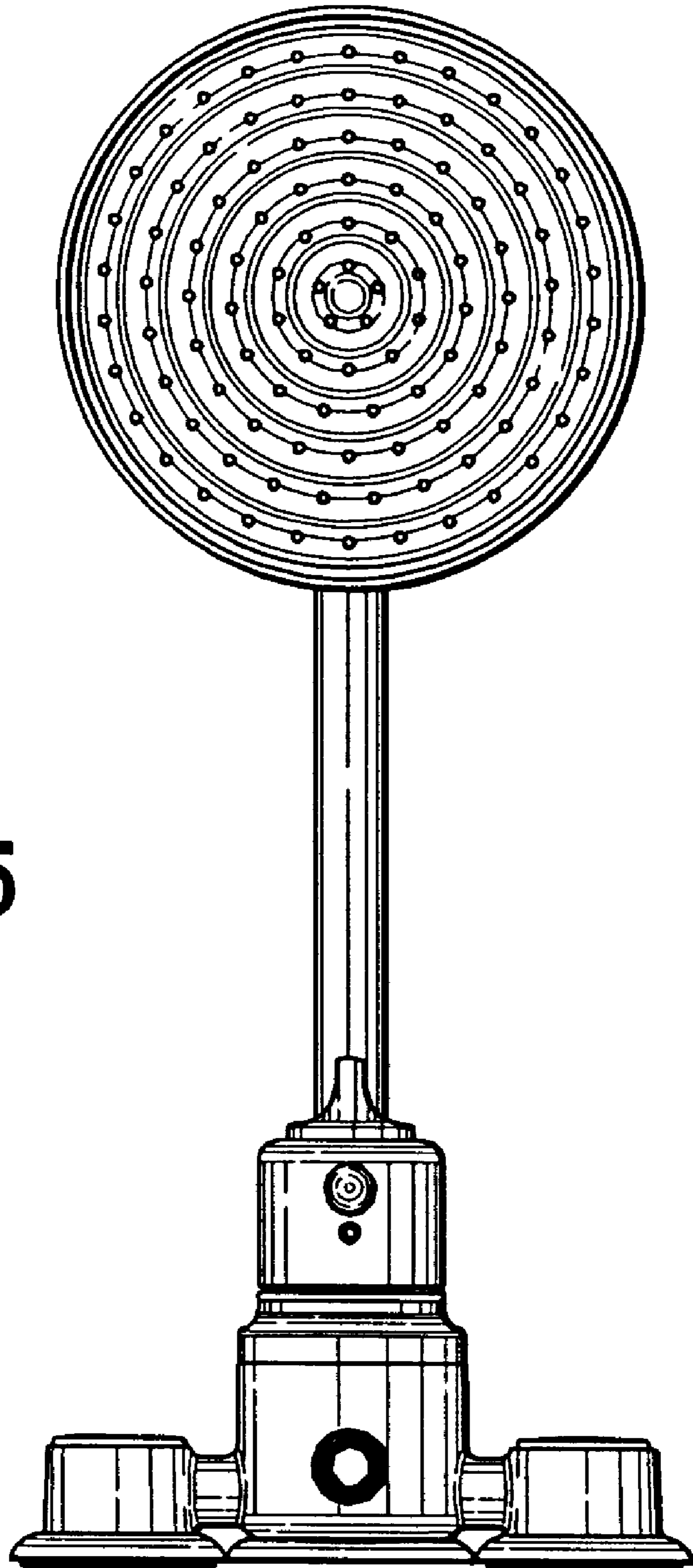


FIG.5

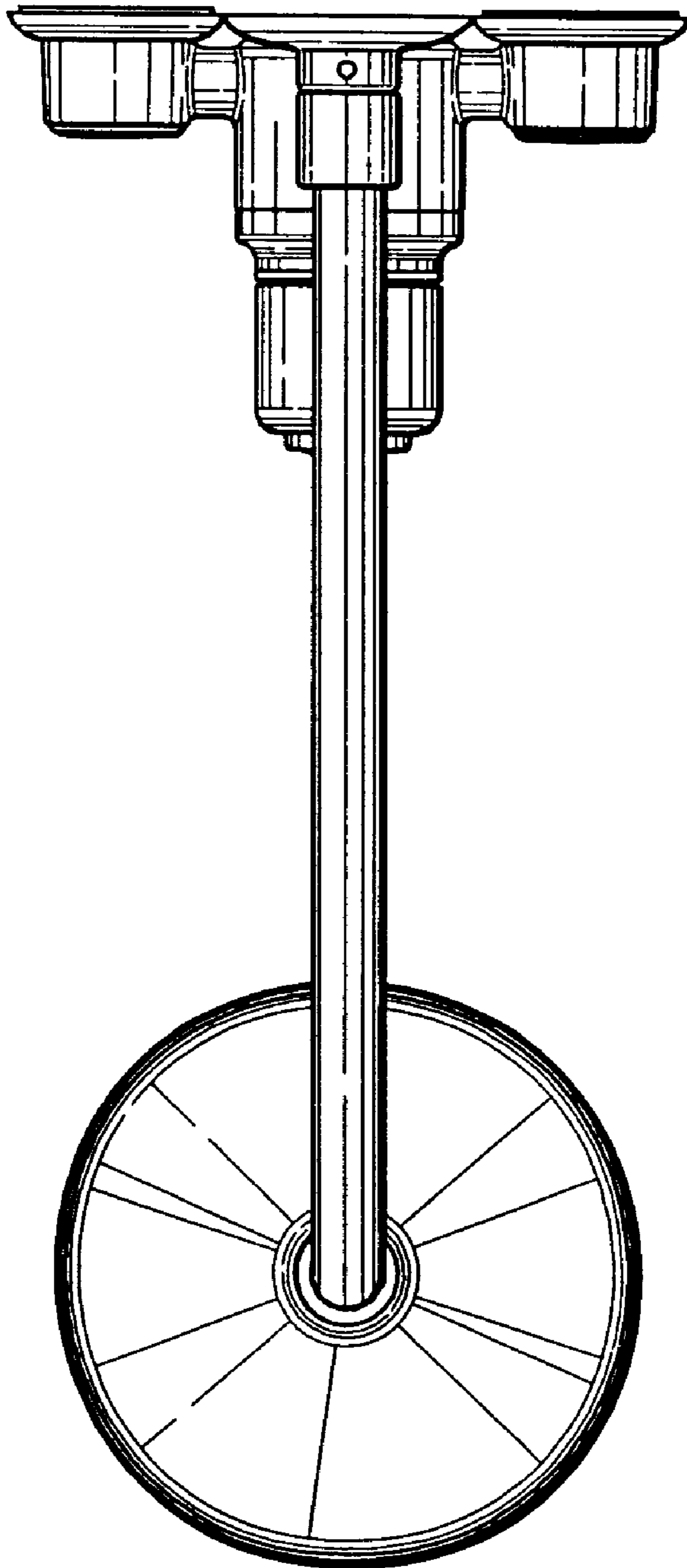


FIG.6