



US00D475436S

(12) **United States Design Patent**  
**Kuo**

(10) **Patent No.:** **US D475,436 S**

(45) **Date of Patent:** **\*\* Jun. 3, 2003**

(54) **SPRAY GUN HANDLE**

D461,225 S \* 6/2002 Wang ..... D23/223

(76) **Inventor:** **Wen-Li Kuo**, 235 Chung-Ho, Box 8-24, Taipei (TW)

\* cited by examiner

*Primary Examiner*—Robin V. Taylor

(\*\*) **Term:** **14 Years**

(57) **CLAIM**

(21) **Appl. No.:** **29/167,907**

The ornamental design for a spray gun handle, as shown and described.

(22) **Filed:** **Sep. 19, 2002**

**DESCRIPTION**

(30) **Foreign Application Priority Data**

Mar. 20, 2002 (TW) ..... 91301292

(51) **LOC (7) Cl.** ..... **23-01**

(52) **U.S. Cl.** ..... **D23/223**

(58) **Field of Search** ..... D23/213, 223,  
D23/226; 239/525-527

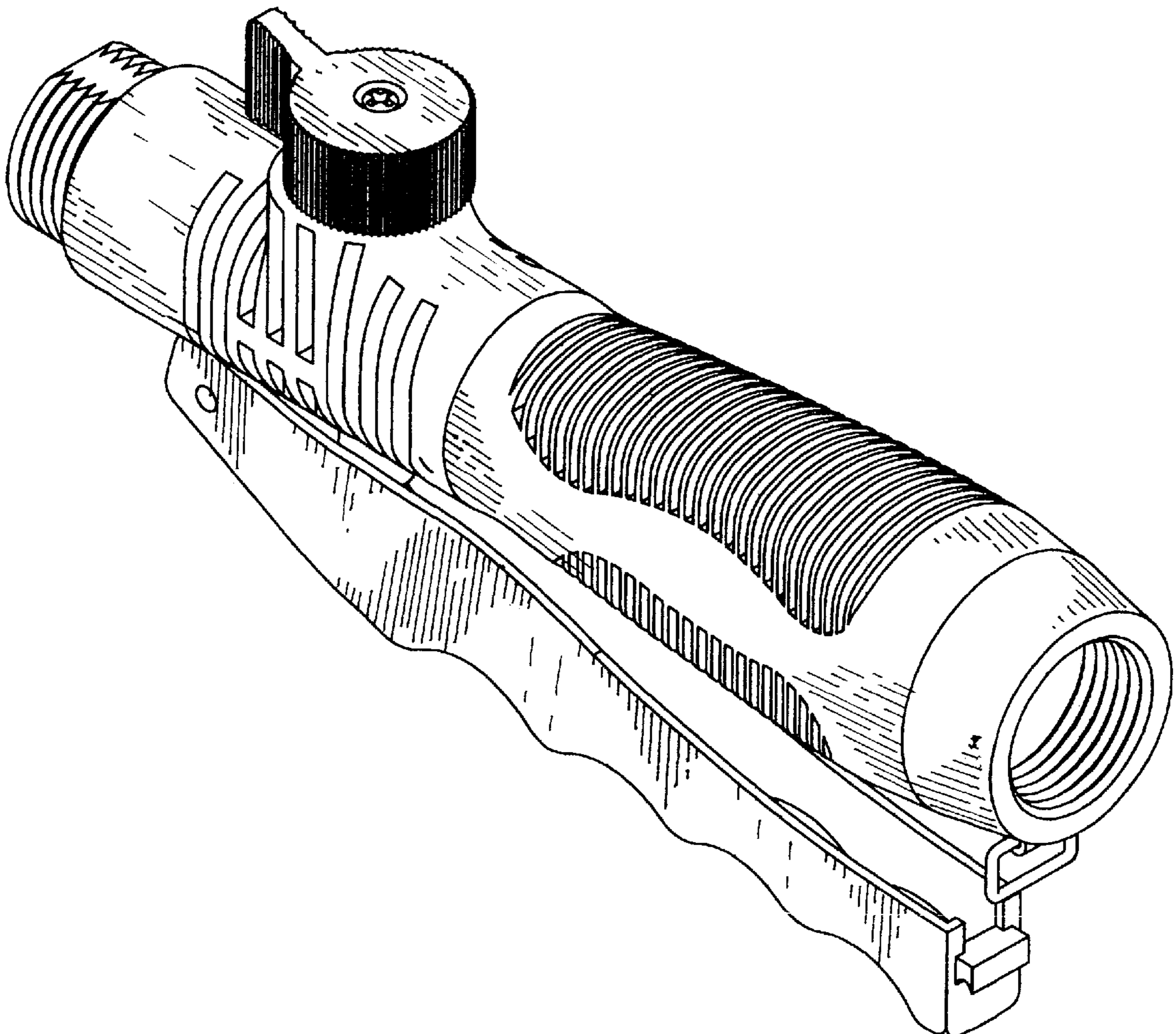
FIG. 1 is a left side view of the spray gun handle showing my new design;  
FIG. 2 is a right side view thereof;  
FIG. 3 is a rear elevational view thereof;  
FIG. 4 is a front elevational view thereof;  
FIG. 5 is a top plan view thereof; and  
FIG. 6 is a bottom plan view thereof; and  
FIG. 7 is a perspective view thereof; and,  
FIGS. 8-10 shows the spray gun handle in various environments that are disclosed in broken lines forms no part of the claimed design.

(56) **References Cited**

**U.S. PATENT DOCUMENTS**

- D215,287 S \* 9/1969 Nordeen ..... D23/213
- D247,679 S \* 4/1978 McMullen ..... D23/213
- D458,664 S \* 6/2002 Wang ..... D23/213

**1 Claim, 10 Drawing Sheets**



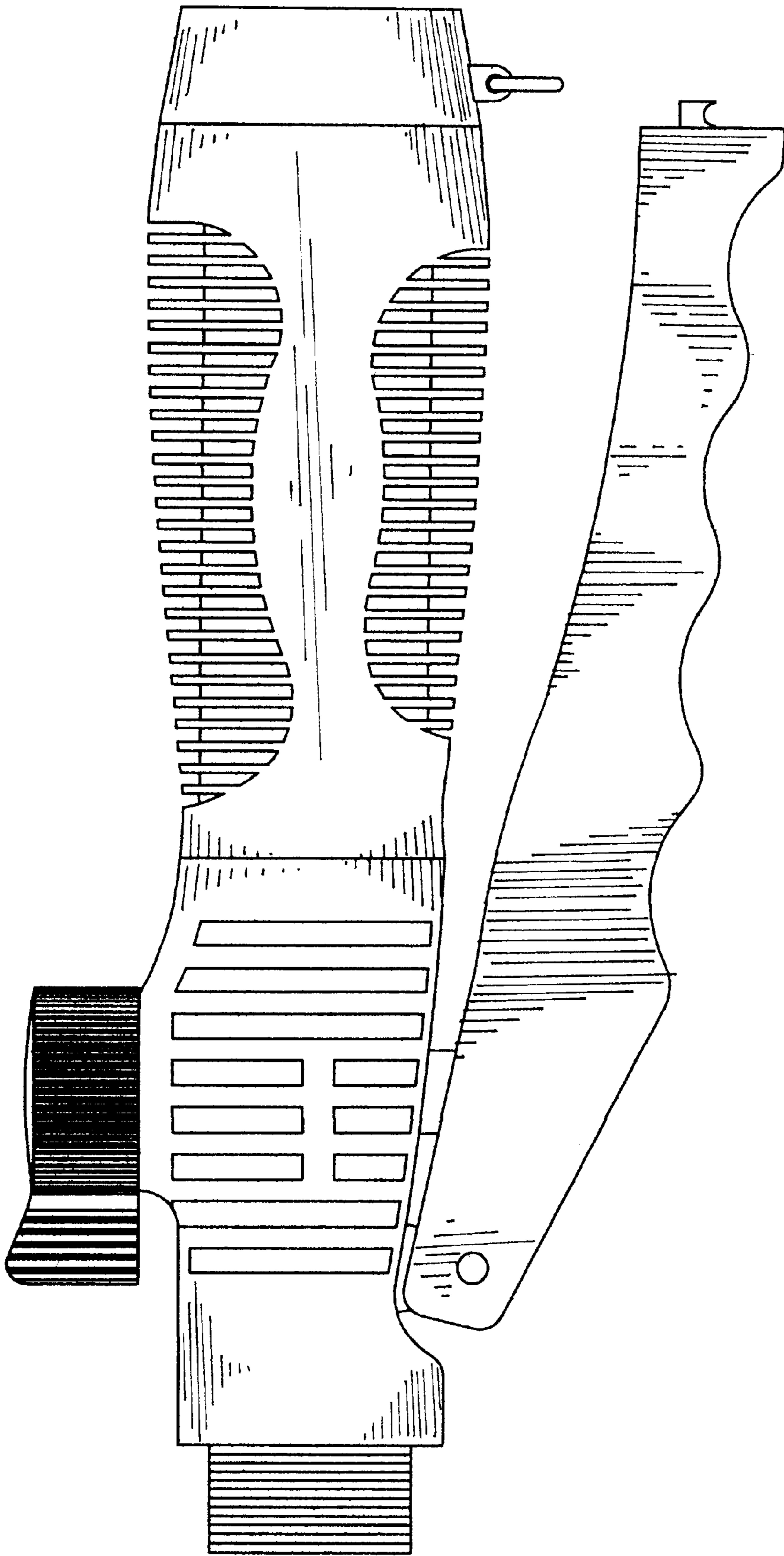


FIG. 1

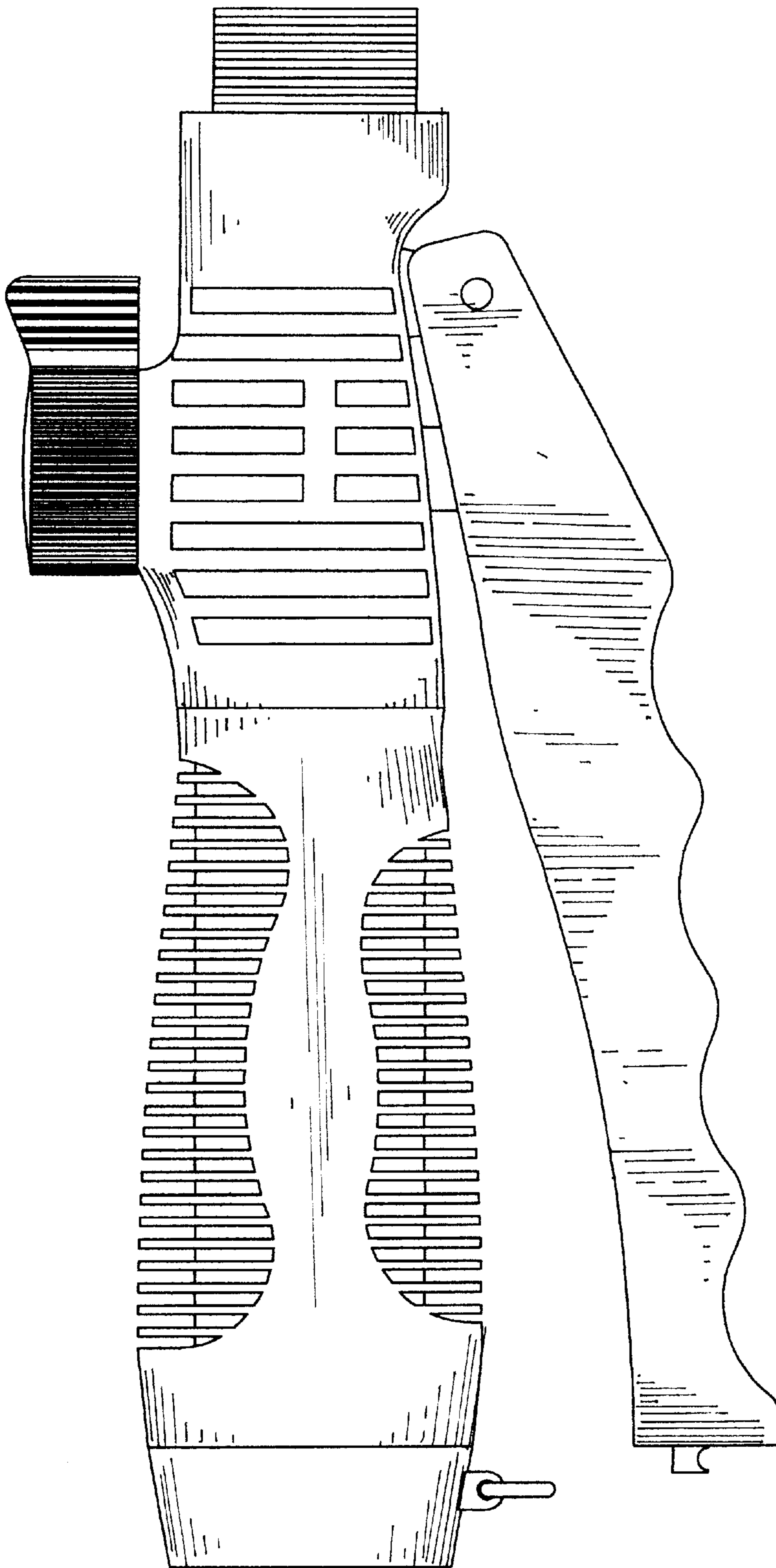


FIG. 2

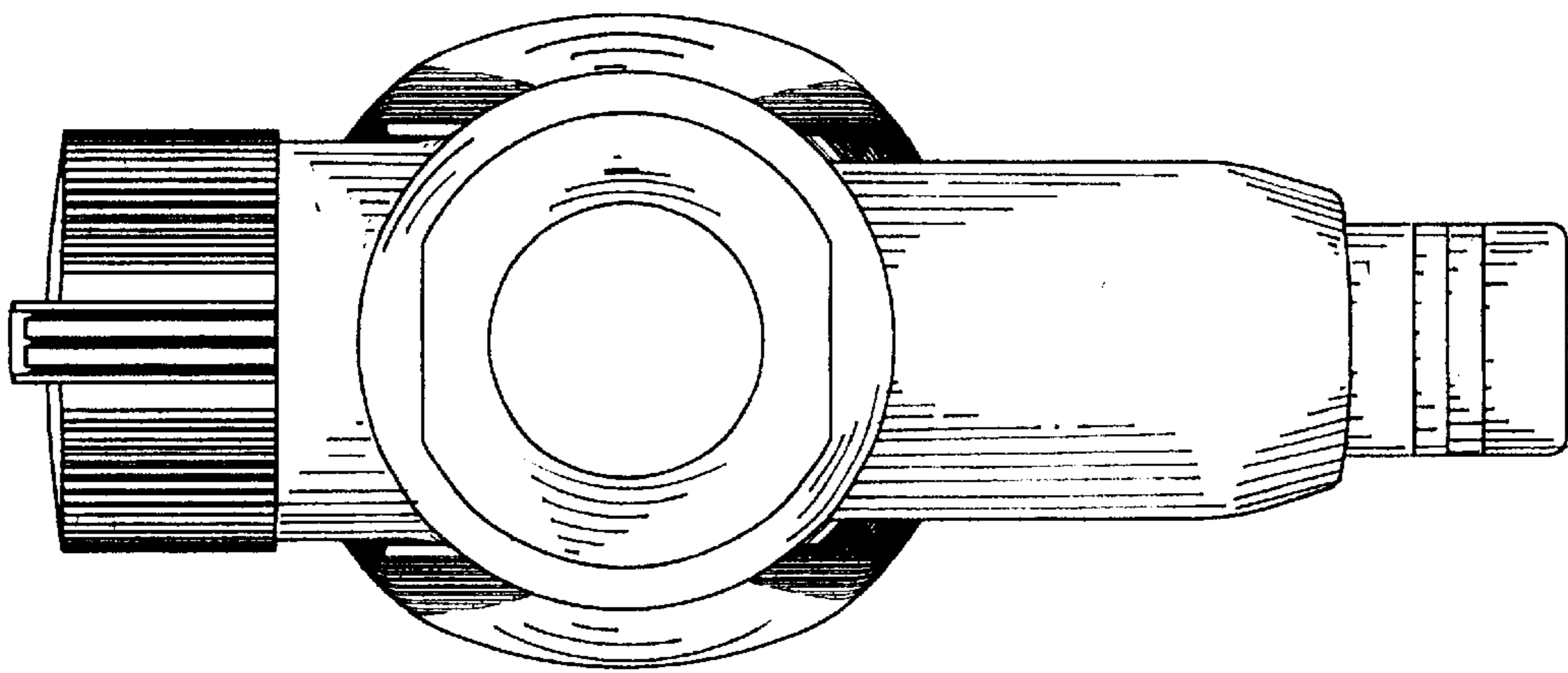


FIG. 3

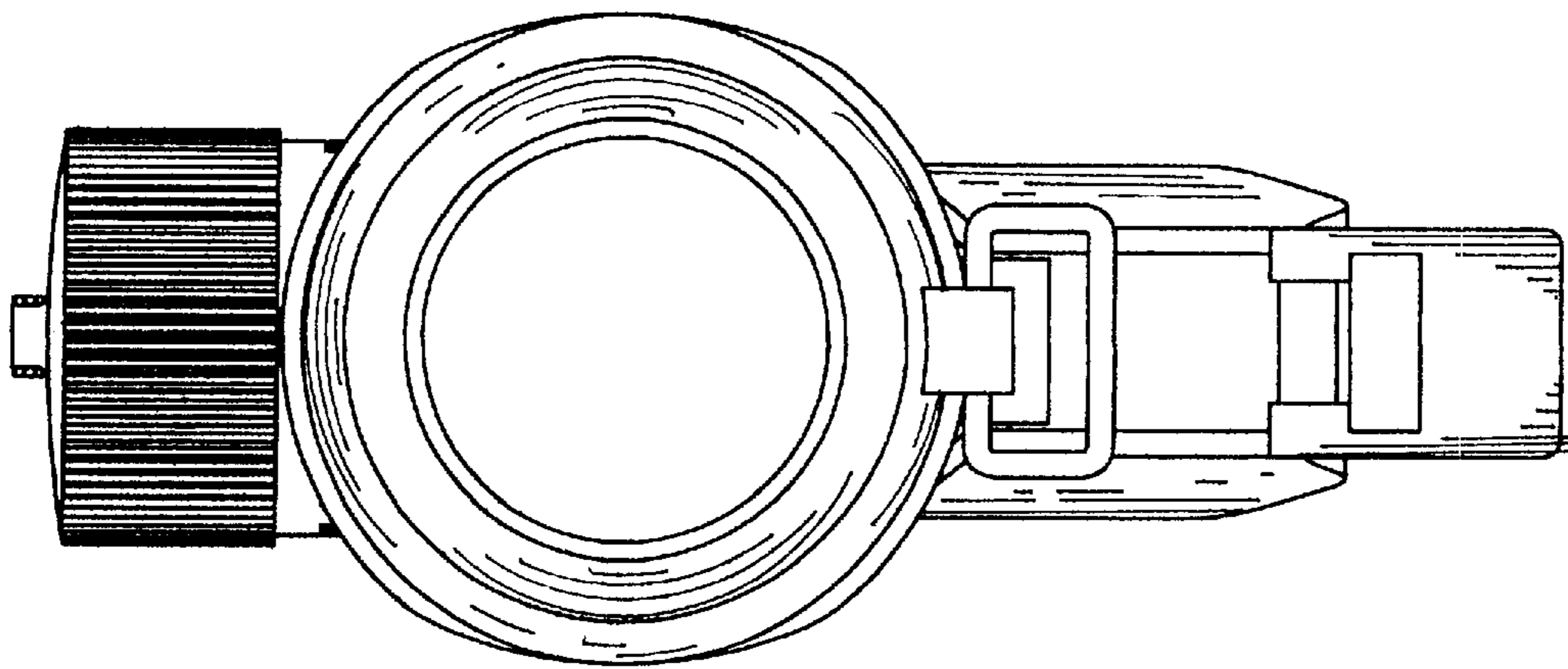


FIG. 4

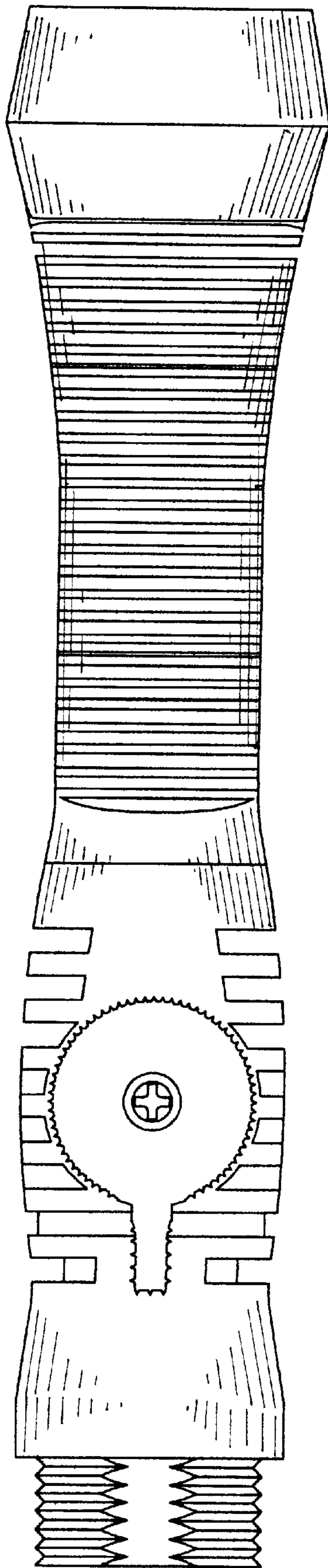


FIG. 5

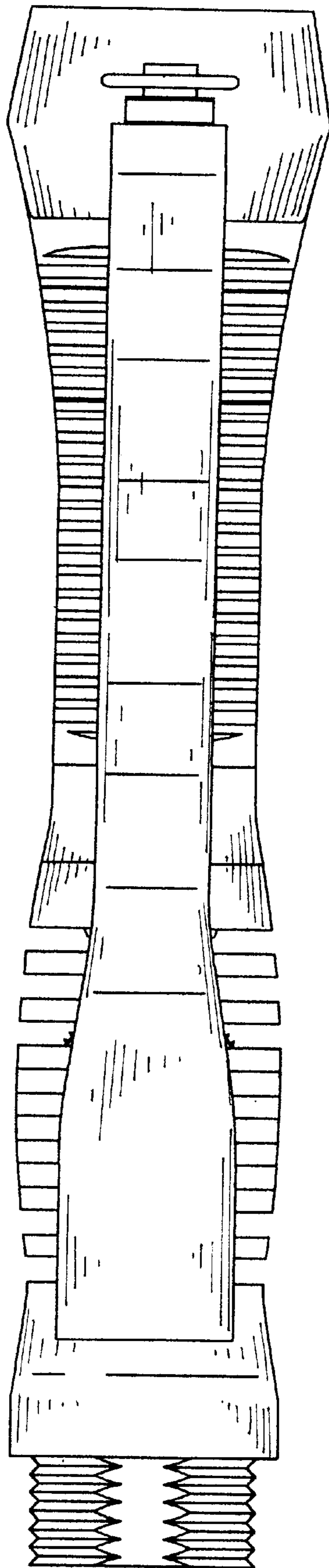


FIG. 6

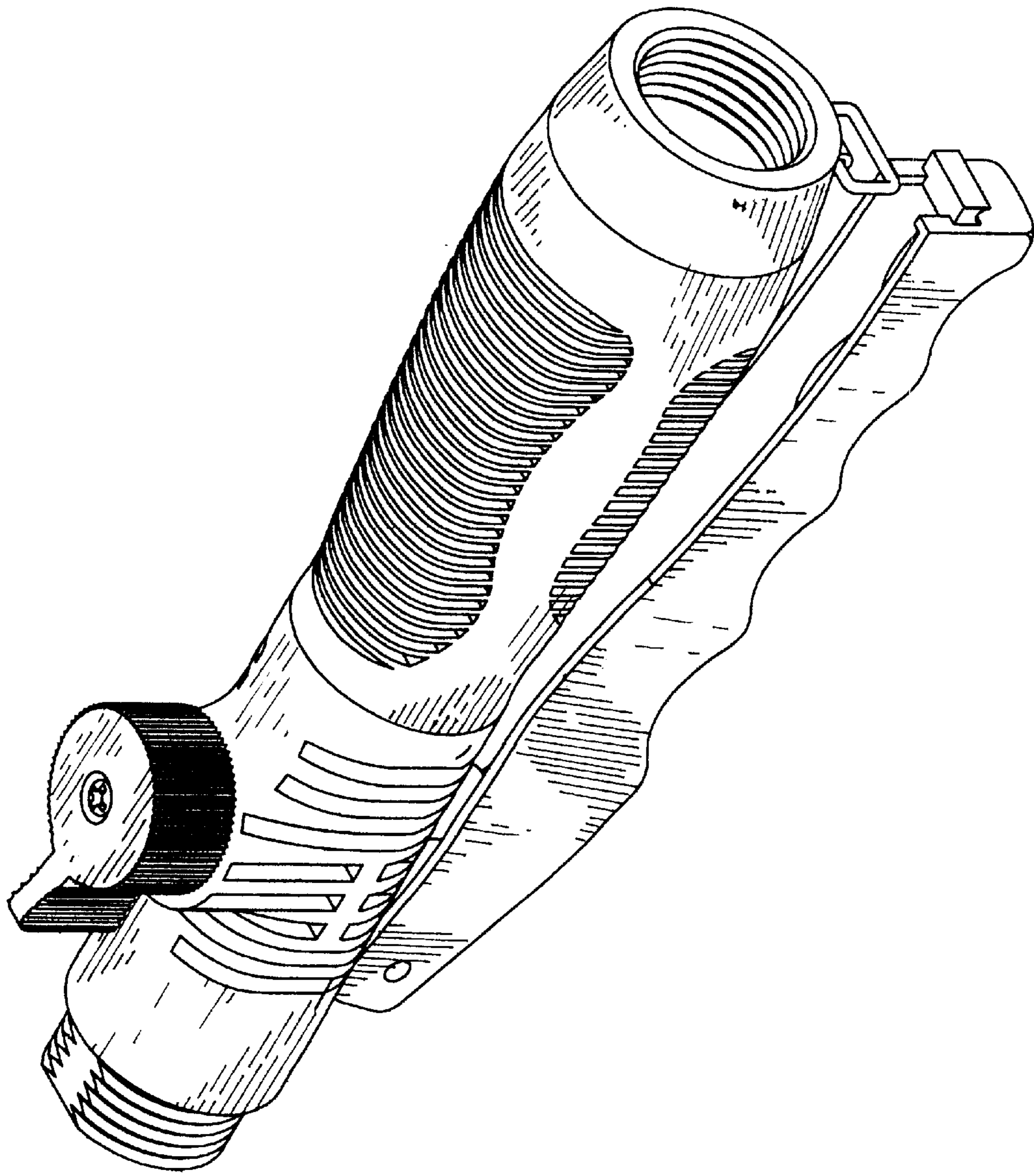


FIG. 7



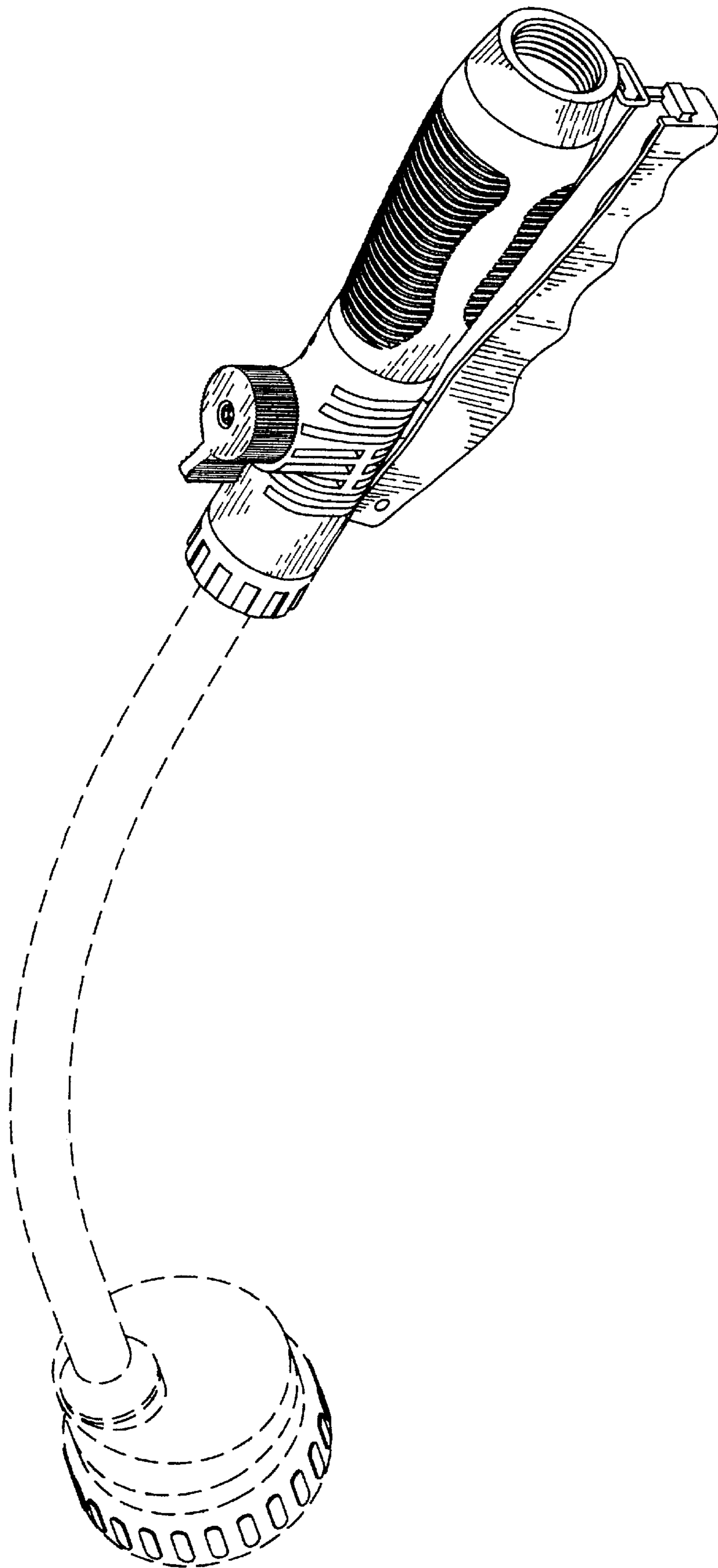


FIG. 8

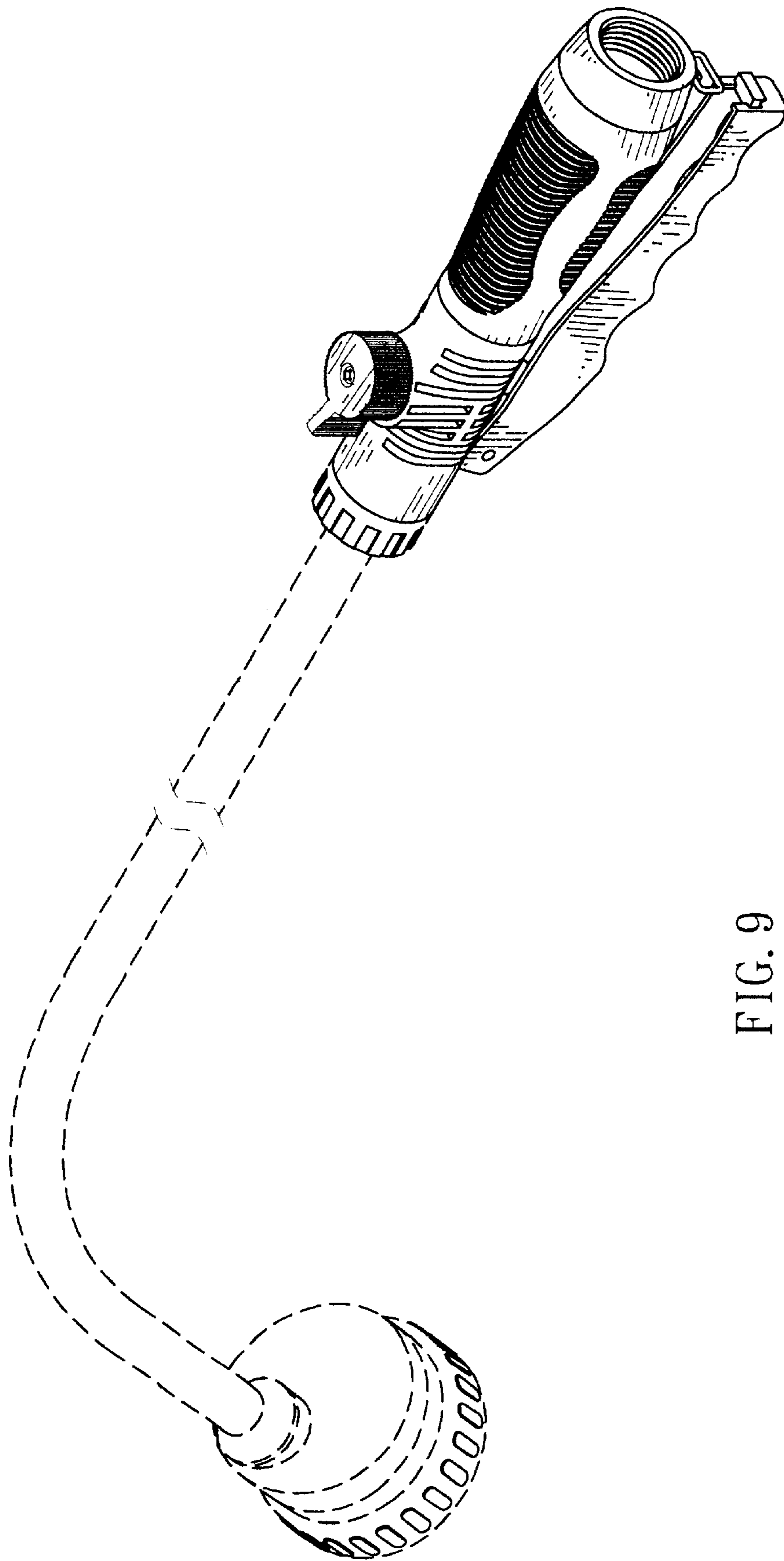


FIG. 9

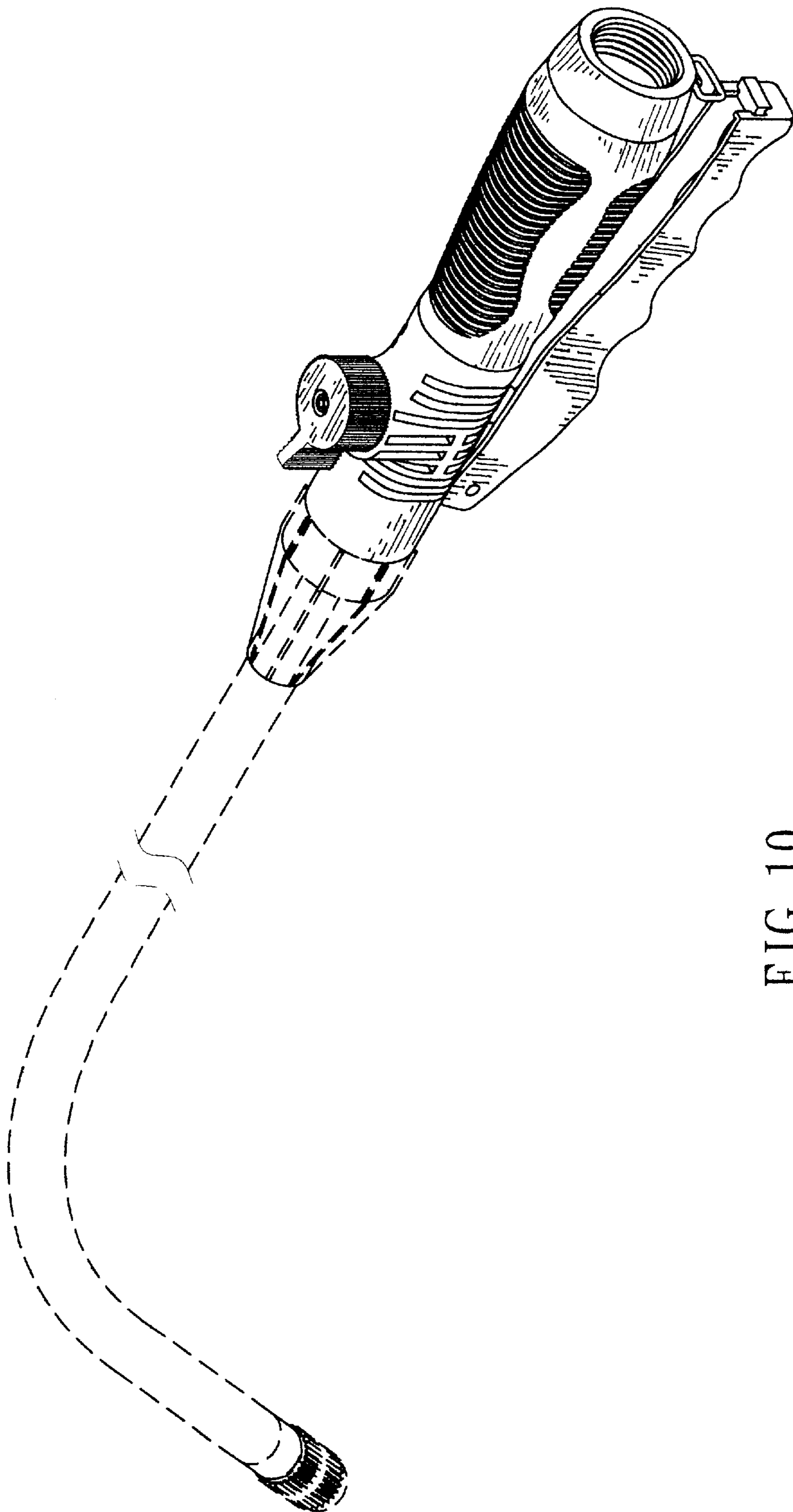


FIG. 10