



US00D475434S

(12) **United States Design Patent**
Abbott

(10) **Patent No.:** **US D475,434 S**

(45) **Date of Patent:** **** Jun. 3, 2003**

(54) **ADJUSTABLE HEAD FOR A SPRINKLER**

5,967,416 A * 10/1999 Barbour D239/279

(76) **Inventor:** **Timothy A. Abbott**, 1829 Nash St.,
South Bend, IN (US) 46613

* cited by examiner

(**) **Term:** **14 Years**

Primary Examiner—Robin V. Taylor

(74) *Attorney, Agent, or Firm*—Leo H McCormick, Jr.

(21) **Appl. No.:** **29/165,985**

(57) **CLAIM**

(22) **Filed:** **Aug. 20, 2002**

The ornamental design for an adjustable head for a sprinkler,
as shown and described.

(51) **LOC (7) Cl.** **23-01**

DESCRIPTION

(52) **U.S. Cl.** **D23/214**

(58) **Field of Search** D23/213, 214,
D23/217; 239/390, 200, 201, 203–206

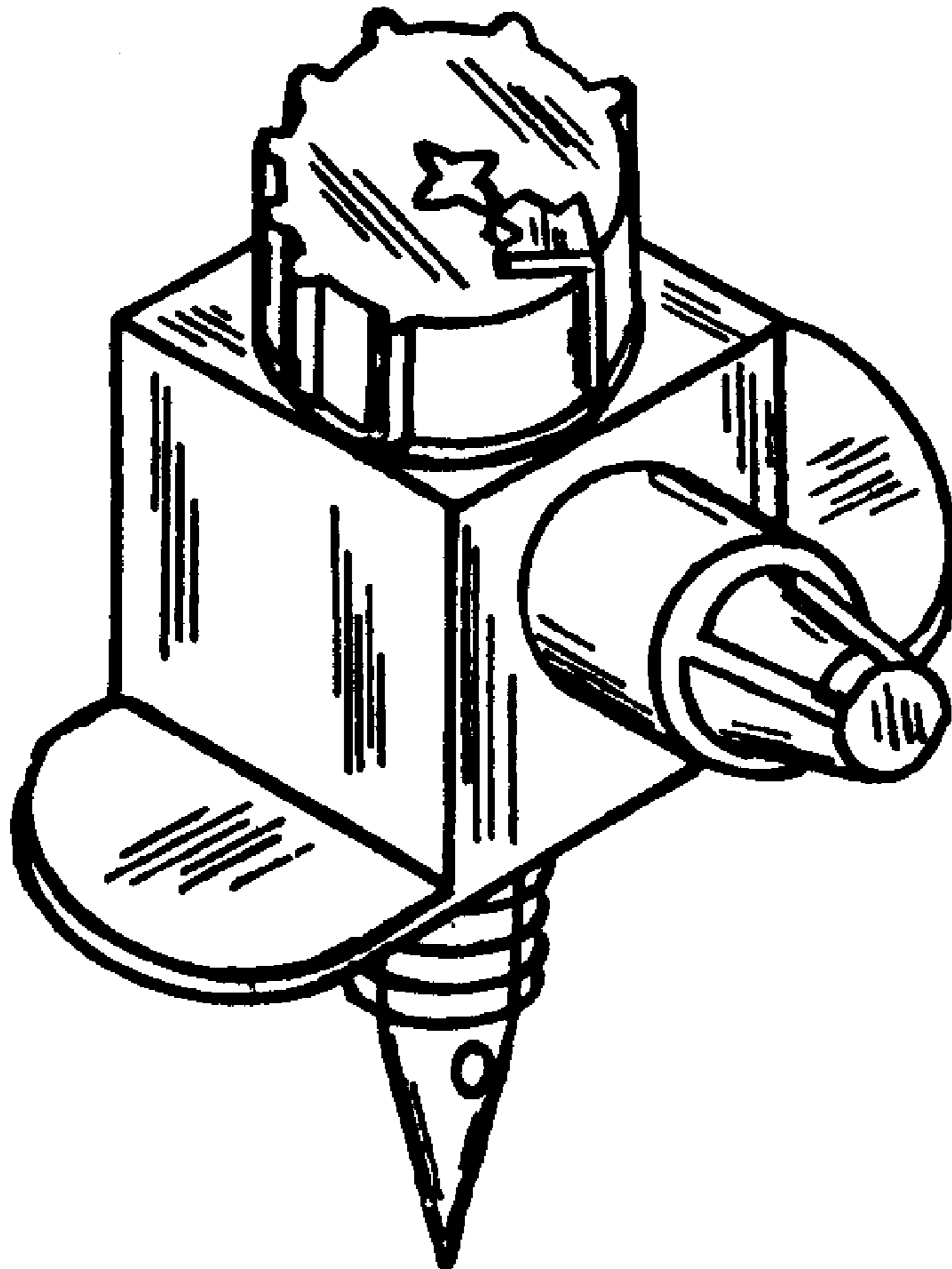
FIG. 1 is a perspective view of an adjustable head for a
sprinkler showing my new design;
FIG. 2 is a front plan view of thereof;
FIG. 3 is a top view thereof;
FIG. 4 is a left side plan view thereof;
FIG. 5 is a right side plan view thereof;
FIG. 6 is a bottom view thereof; and,
FIG. 7 is a rear plan view thereof.

(56) **References Cited**

U.S. PATENT DOCUMENTS

1,639,162 A * 8/1927 Brooks 239/201
D234,766 S * 4/1975 Raffler et al. D23/214
D284,884 S * 7/1986 Lemkin et al. D23/214
D390,631 S * 2/1998 Evans D23/214

1 Claim, 1 Drawing Sheet



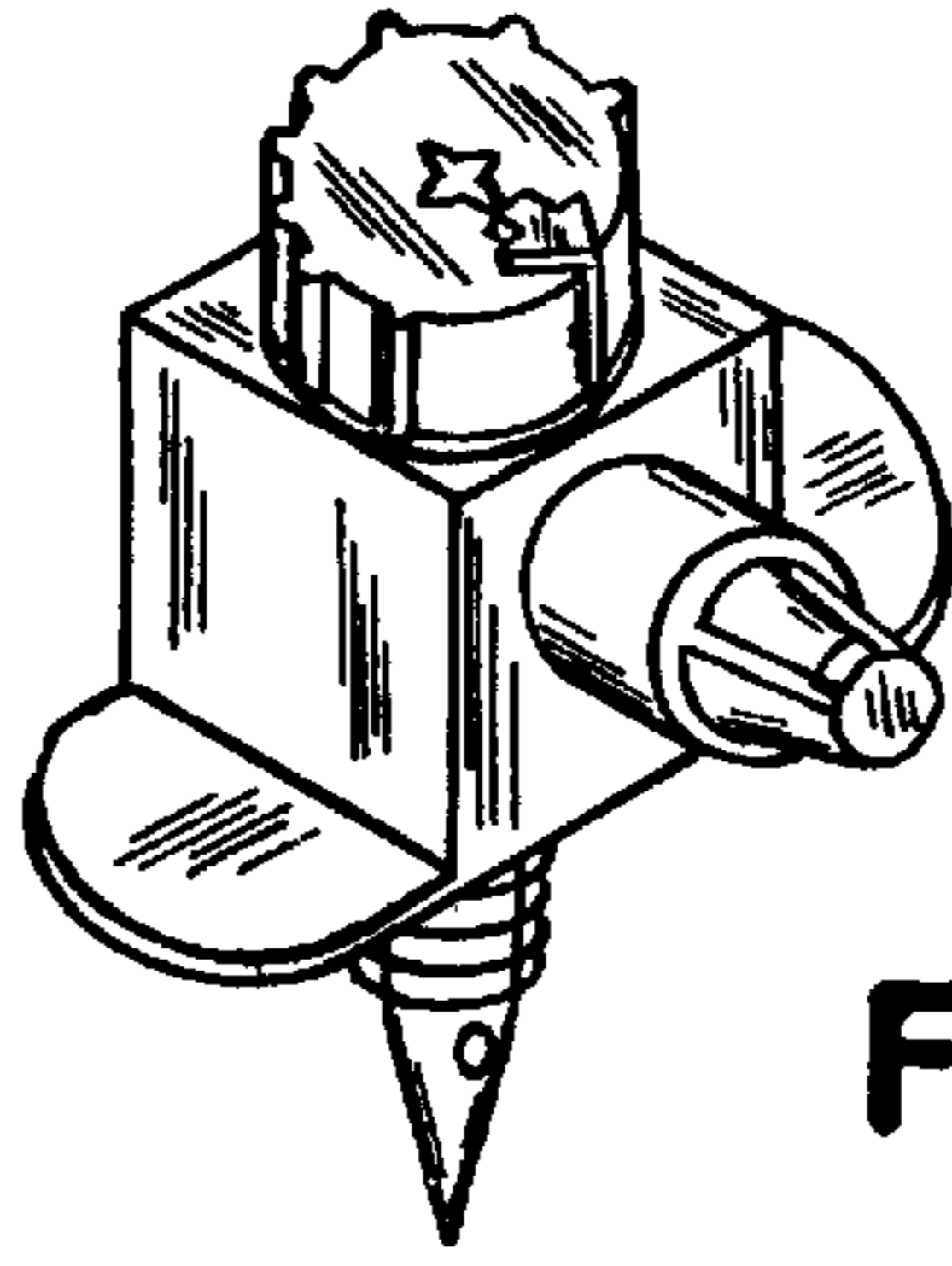


FIG. 1

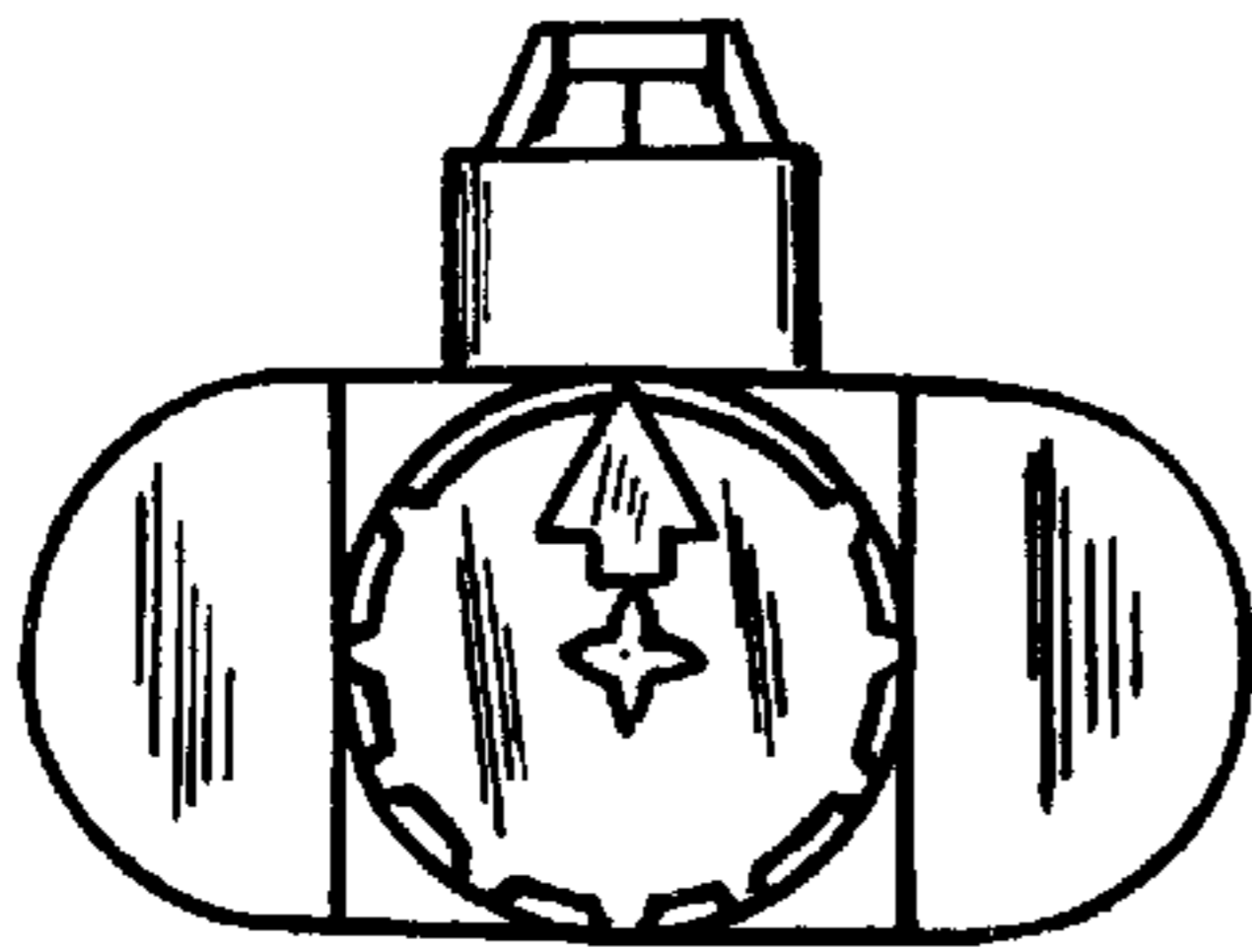


FIG. 2

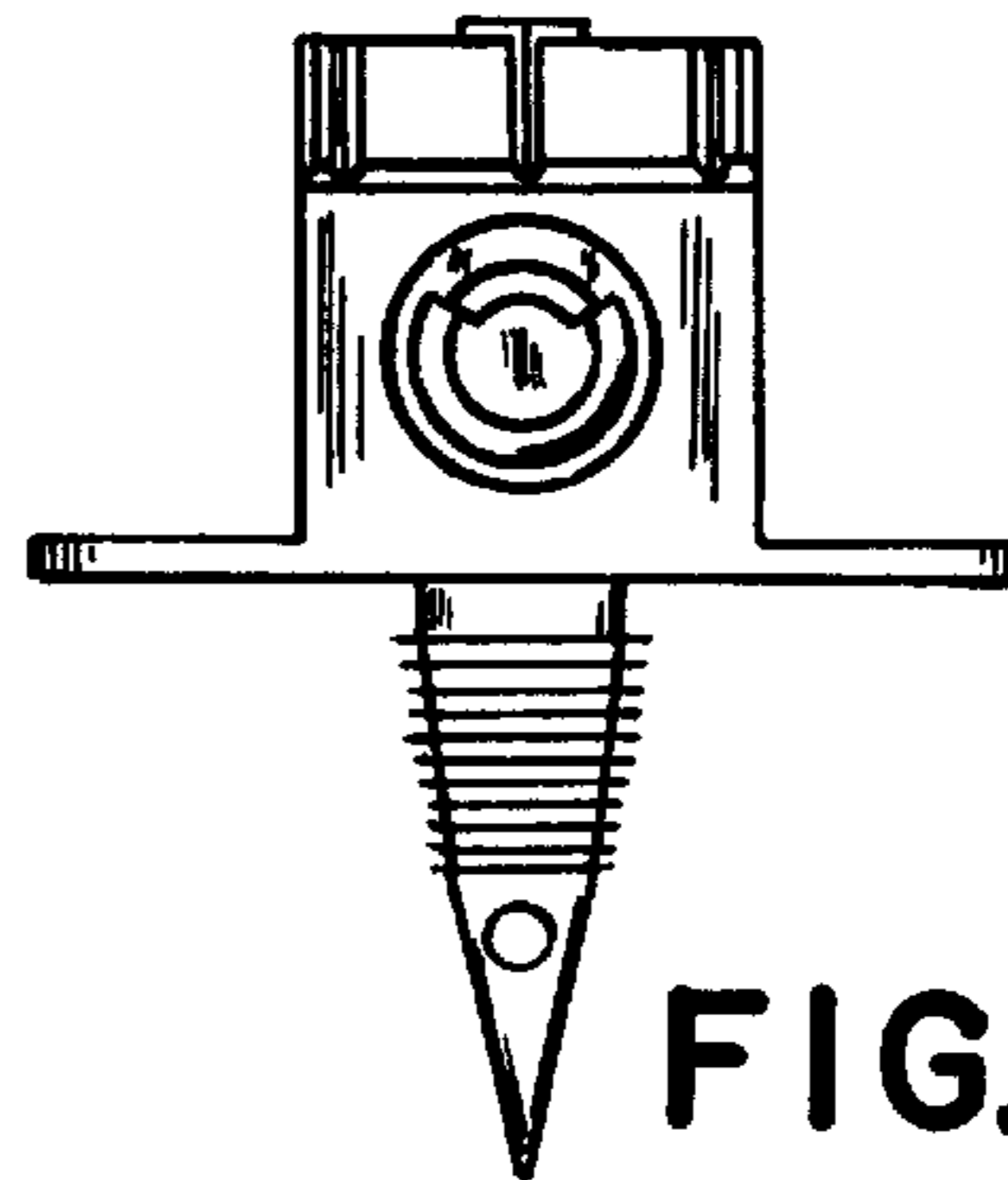


FIG. 3

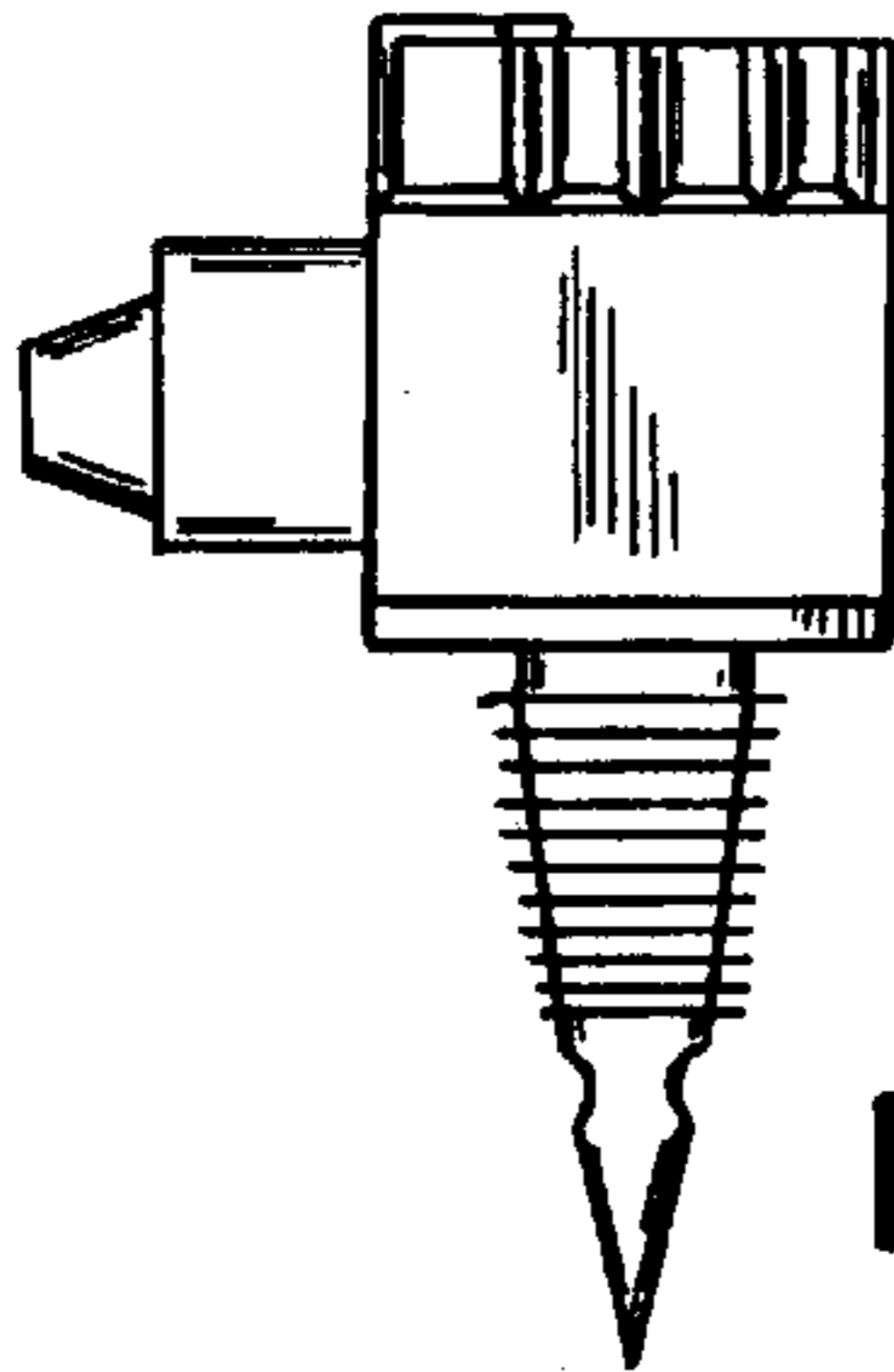


FIG. 4

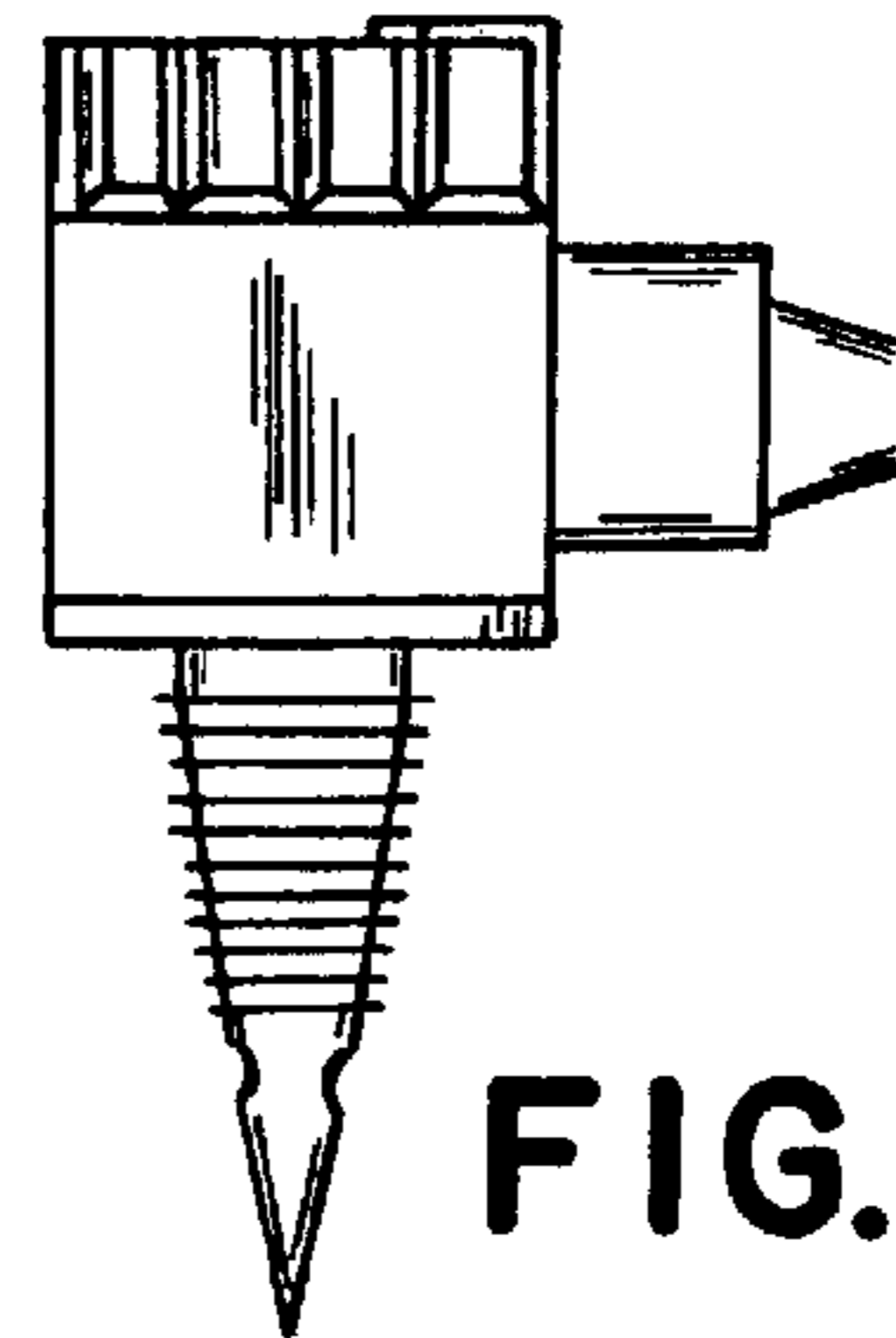


FIG. 5

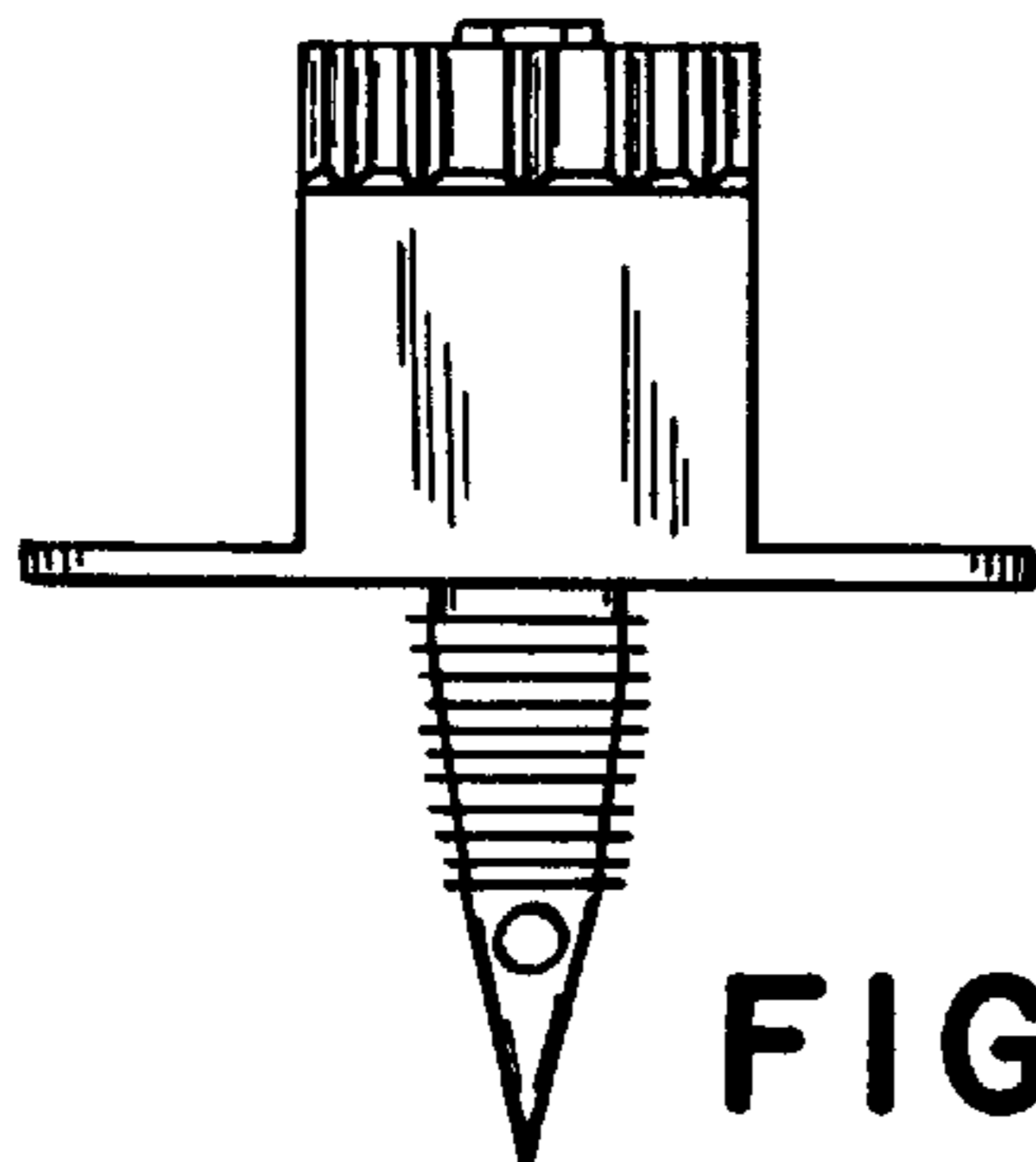


FIG. 6

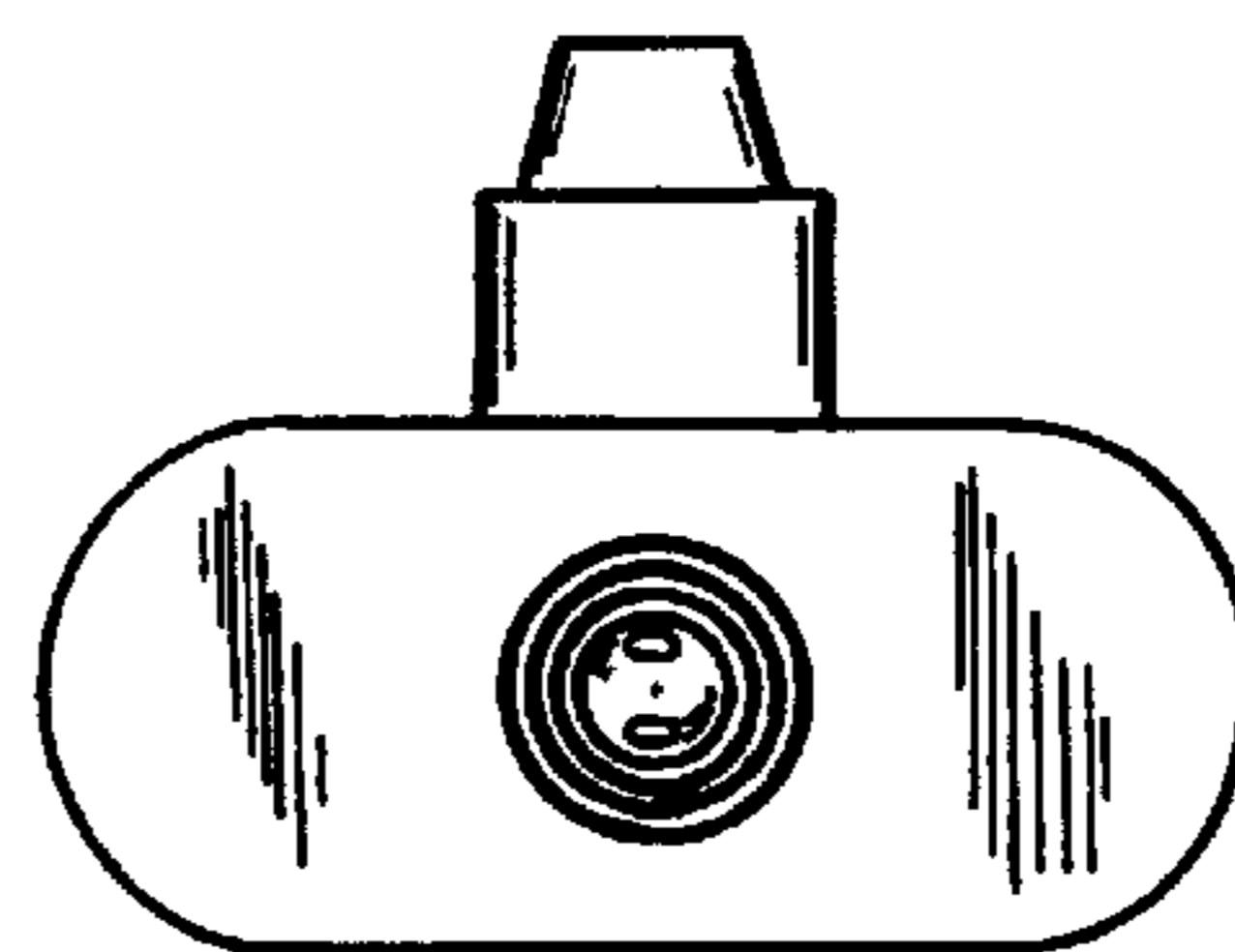


FIG. 7