



US00D475433S

(12) **United States Design Patent**
Citterio

(10) **Patent No.:** **US D475,433 S**

(45) **Date of Patent:** **** Jun. 3, 2003**

(54) **HEAD SHOWER**

(75) Inventor: **Antonio Citterio**, Milan (IT)

(73) Assignee: **Hansgrohe AG**, Schiltach (DE)

(**) Term: **14 Years**

(21) Appl. No.: **29/166,710**

(22) Filed: **Sep. 3, 2002**

(30) **Foreign Application Priority Data**

Mar. 5, 2002 (DE) 402 01 868

(51) **LOC (7) Cl.** **23-01**

(52) **U.S. Cl.** **D23/213; D23/229**

(58) **Field of Search** **D23/213, 229, D23/230, 228; 4/570, 615; 239/282-3, 587.1, 587.5, 587.2**

(56) **References Cited**

U.S. PATENT DOCUMENTS

D101,440 S	*	10/1936	Dreyfuss	D23/229
2,073,307 A	*	3/1937	Isenberg	239/282
D260,809 S	*	9/1981	Fleischmann	D23/229
D385,335 S	*	10/1997	Caroen	D23/230
D468,394 S	*	1/2002	Cummings	D23/213
D463,528 S	*	9/2002	Ouyoung	D23/230

OTHER PUBLICATIONS

RubINETTERIE Bandini, brochure "The Collections," two pages, Mar. 2002.

RubINETTERIE Alpi, brochure "Balmoral Collection," two pages, 1999.

Renata Piralla, catalog "Sign Collection 2001-2002," Mar. 2002.

RubINETTERIE Cristina, catalog "Collection 2000/2," pp. 18, 19, 2000.

RubINETTERIE Cristina, catalog "disegno," on page, Jan., 2001.

* cited by examiner

Primary Examiner—Robin V. Taylor

(74) *Attorney, Agent, or Firm*—Duane Morris, LLP

(57) **CLAIM**

The ornamental design for a head shower, as shown and described.

DESCRIPTION

FIG. 1: is a side perspective view of the head shower showing my new design;

FIG. 2: is a front elevation view thereof;

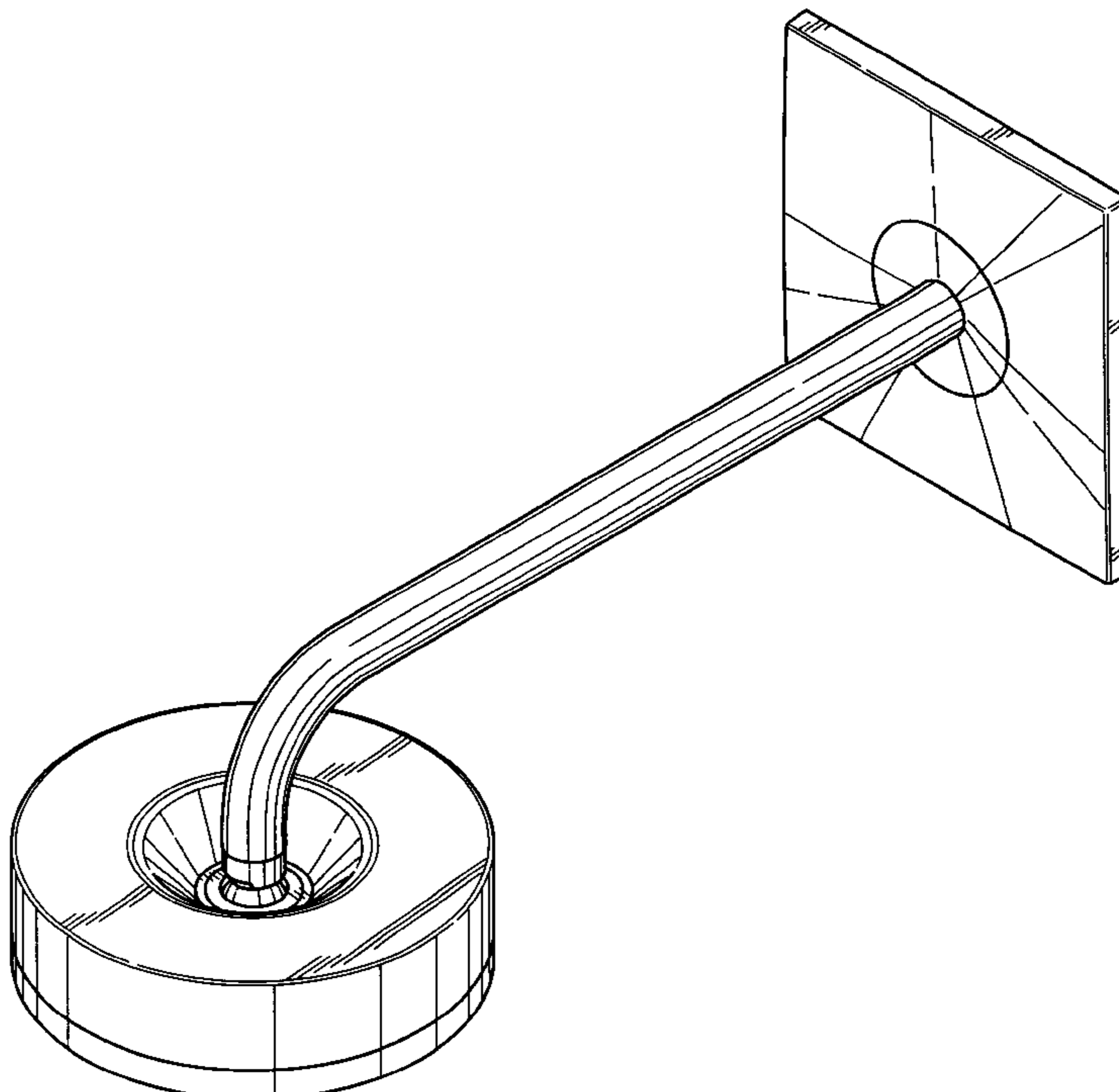
FIG. 3: is a rear elevation view thereof;

FIG. 4: is a top plan view thereof;

FIG. 5: is a side elevation view thereof (the opposite side being a mirror image); and,

FIG. 6: is a bottom plan view thereof.

1 Claim, 2 Drawing Sheets



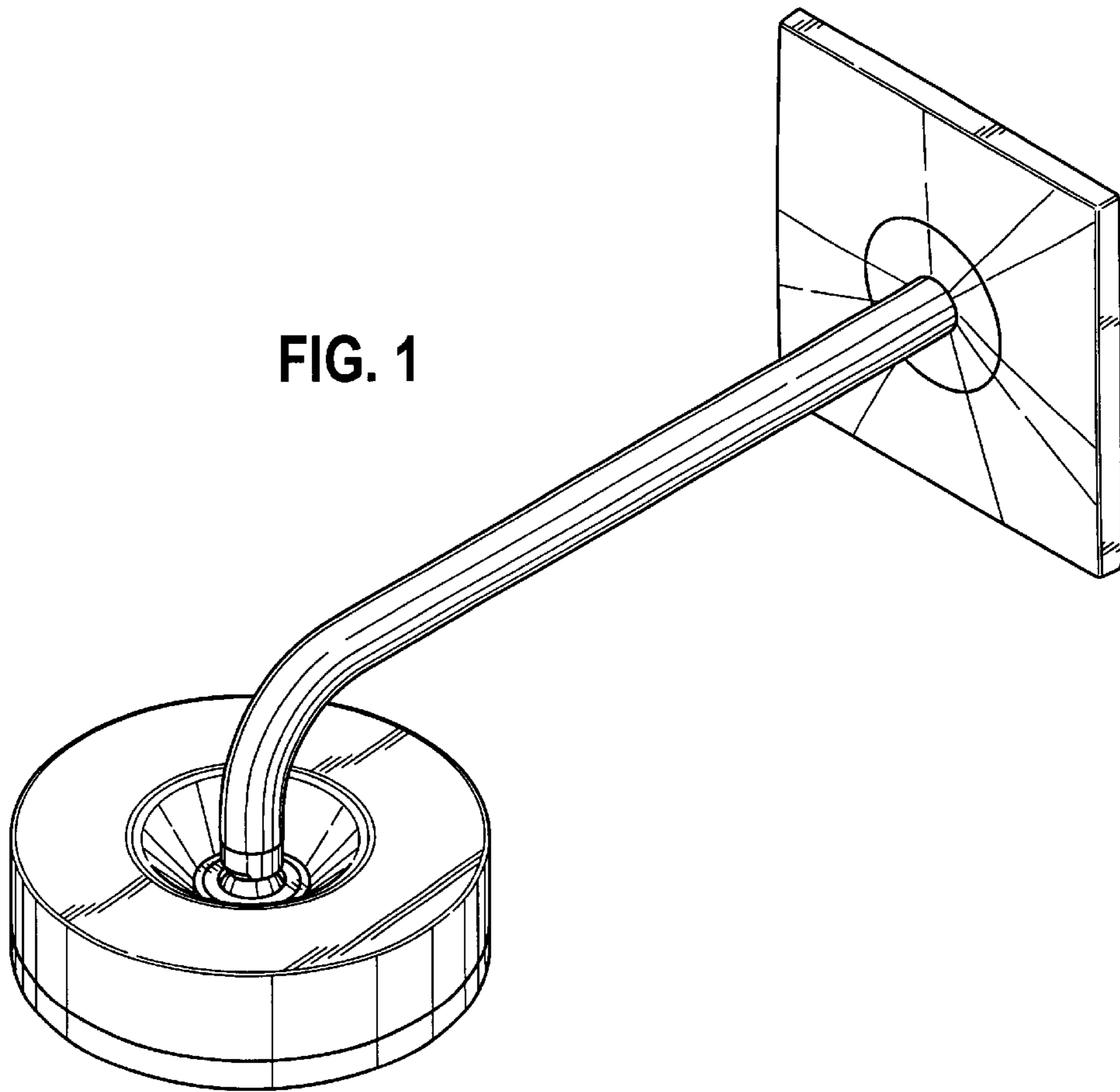


FIG. 1

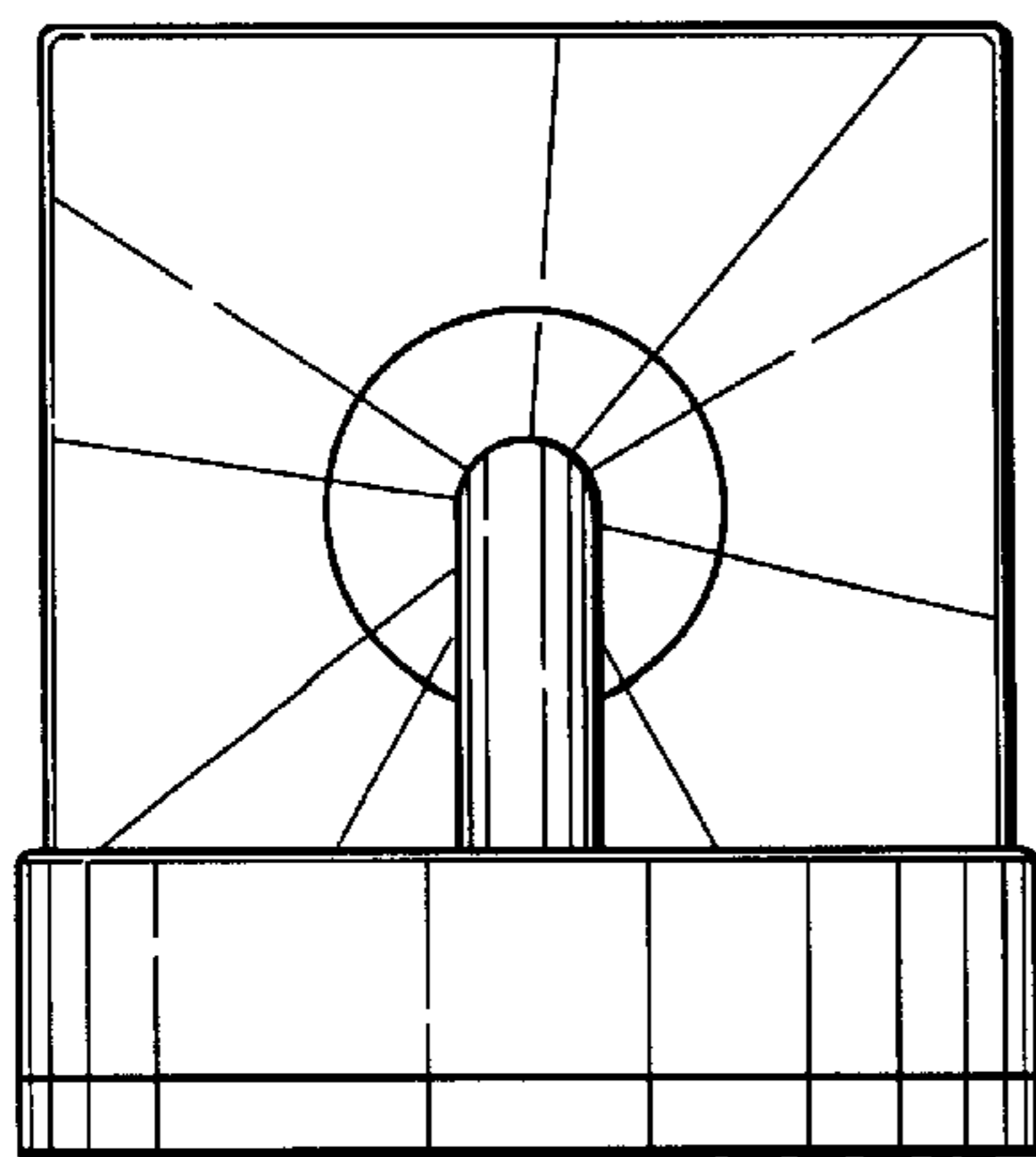


FIG. 2

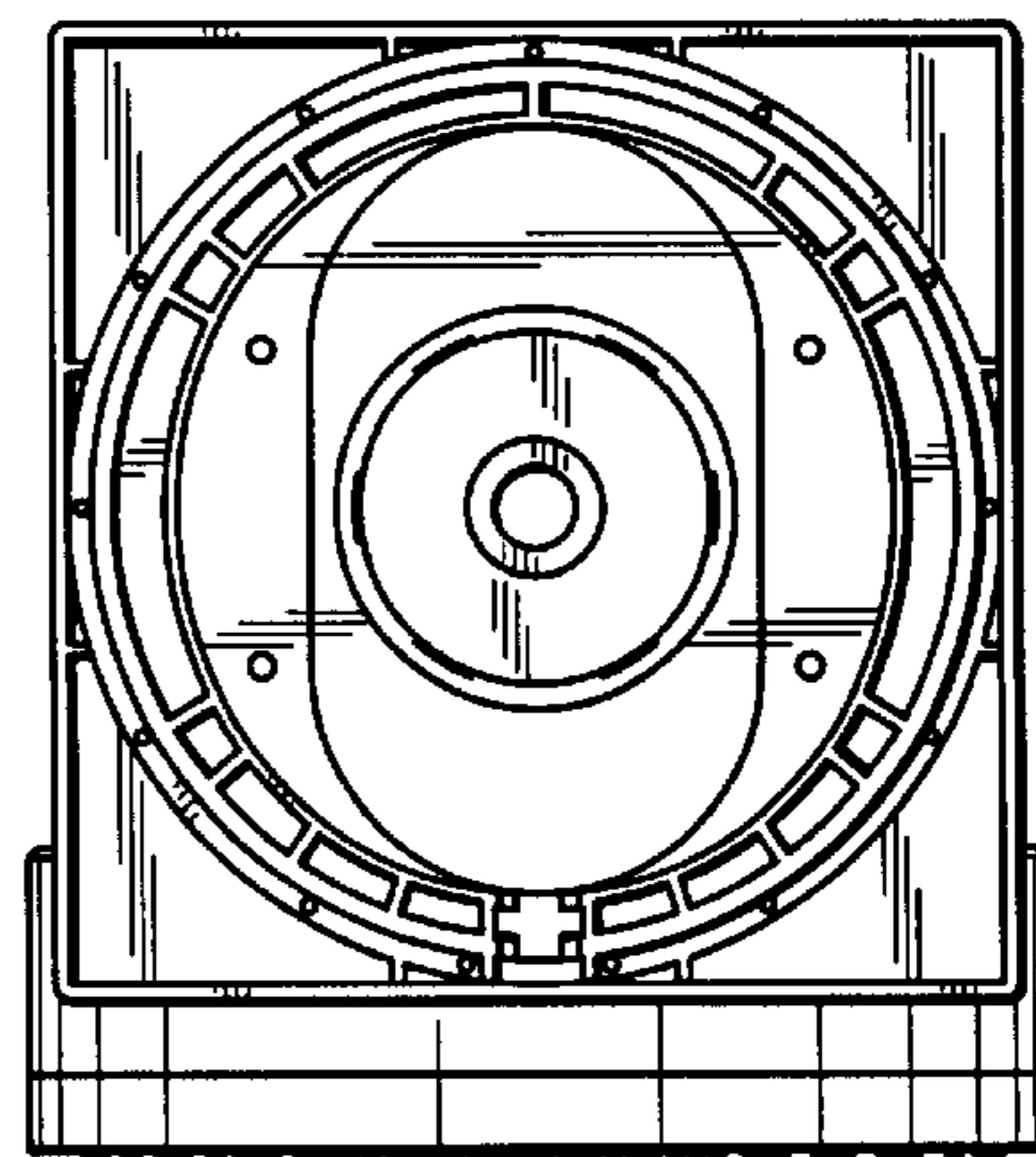


FIG. 3

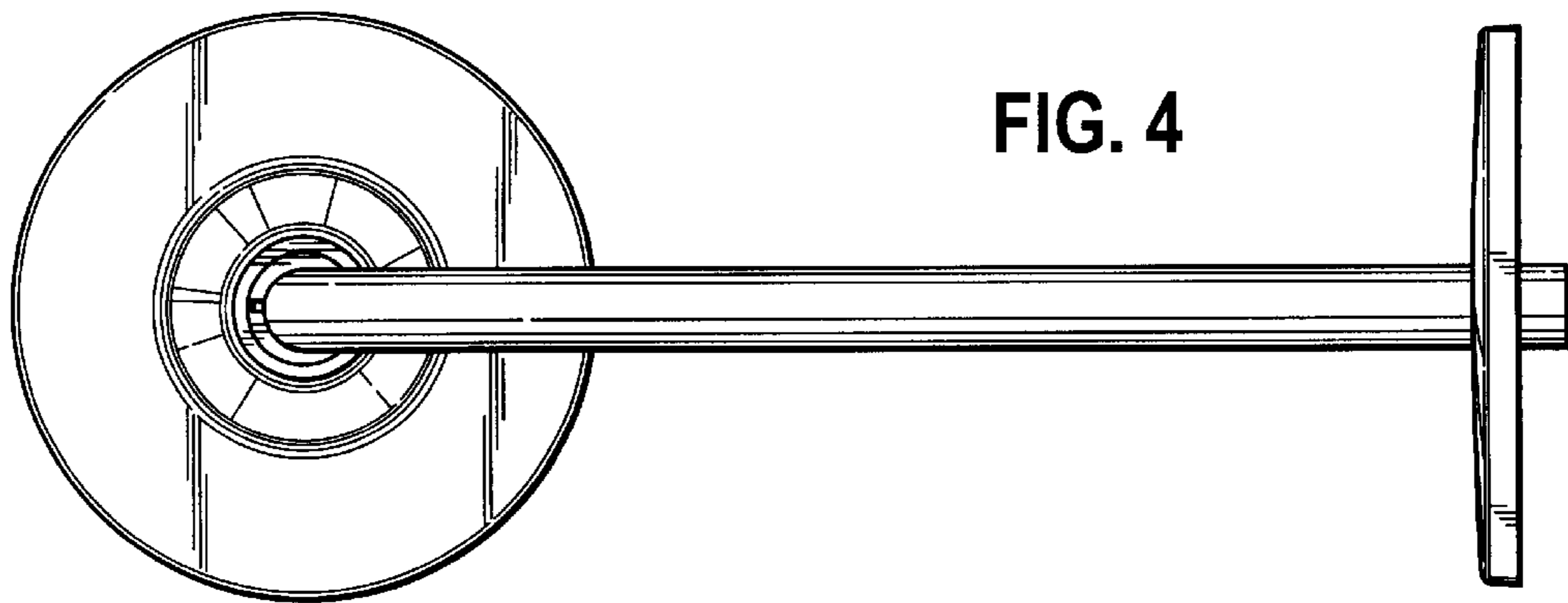


FIG. 4

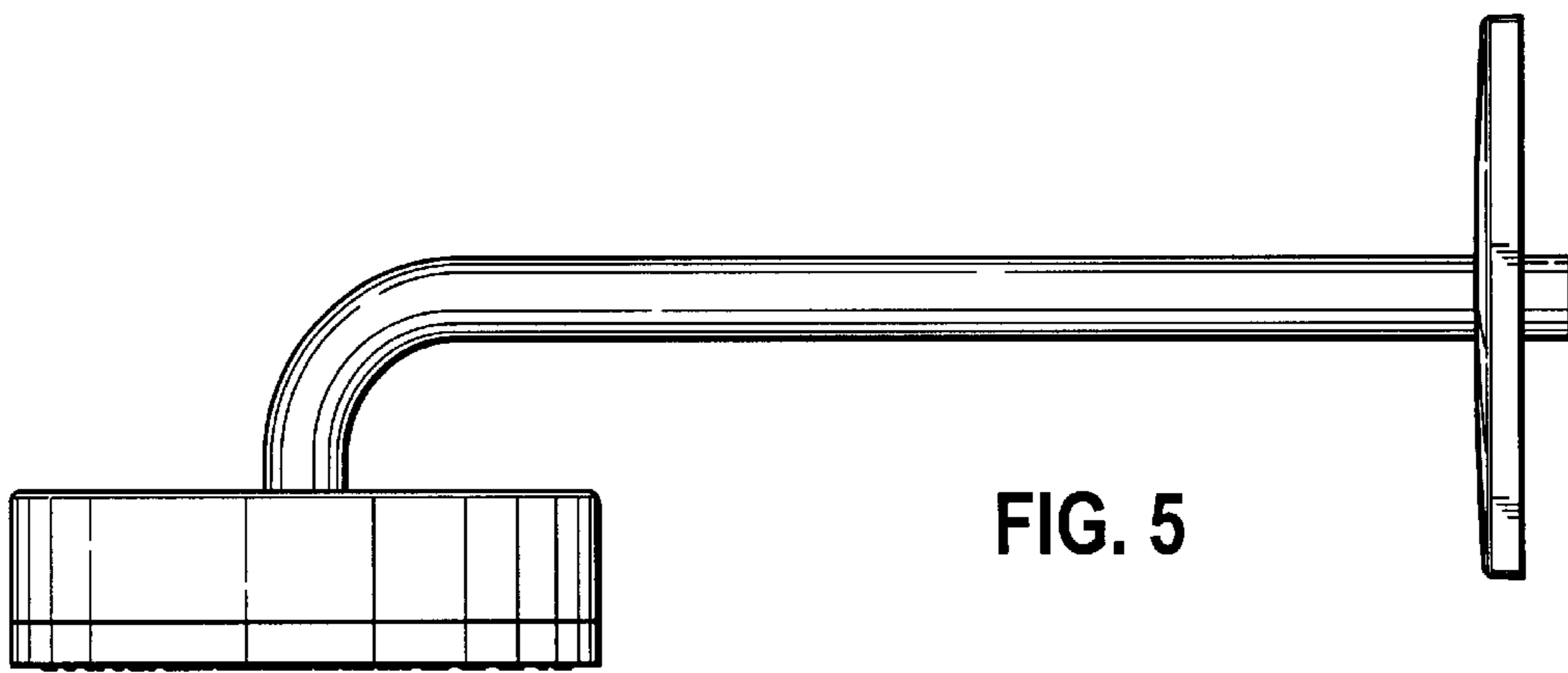


FIG. 5

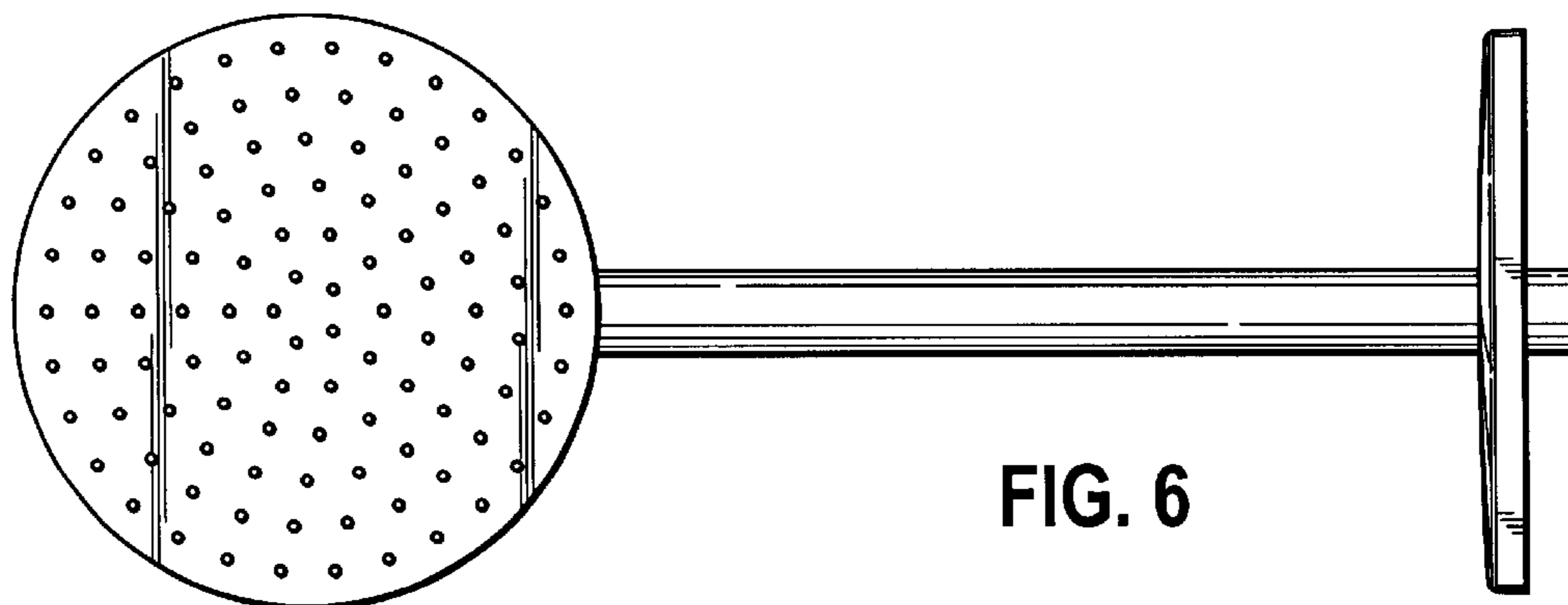


FIG. 6