



US00D475430S

(12) **United States Design Patent**
Wardle

(10) **Patent No.:** **US D475,430 S**

(45) **Date of Patent:** **** Jun. 3, 2003**

(54) **RIFLE BREECH BOLT**

(76) Inventor: **Darran L. Wardle**, 6785 Crater Lake Hwy., Central Point, OR (US) 97502-8408

(**) Term: **14 Years**

(21) Appl. No.: **29/156,520**

(22) Filed: **Mar. 4, 2002**

(51) **LOC (7) Cl.** **22-01**

(52) **U.S. Cl.** **D22/108**

(58) **Field of Search** D22/100, 103, D22/108, 199; 42/16, 17, 25, 69.02, 70.01; 89/172, 185, 186, 188, 190, 191.02, 197, 199

(56) **References Cited**

U.S. PATENT DOCUMENTS

- 2,606,382 A * 8/1952 Schaich 42/16
- 2,861,374 A * 11/1958 Hampton 42/16
- 3,368,298 A * 2/1968 Browning 42/25

- 3,653,140 A * 4/1972 Alday 42/16
- 6,044,748 A * 4/2000 Westrom 89/185
- 6,276,256 B1 * 8/2001 Kimmig 89/186

* cited by examiner

Primary Examiner—Louis S. Zarfaz
Assistant Examiner—Monica A. Weingart

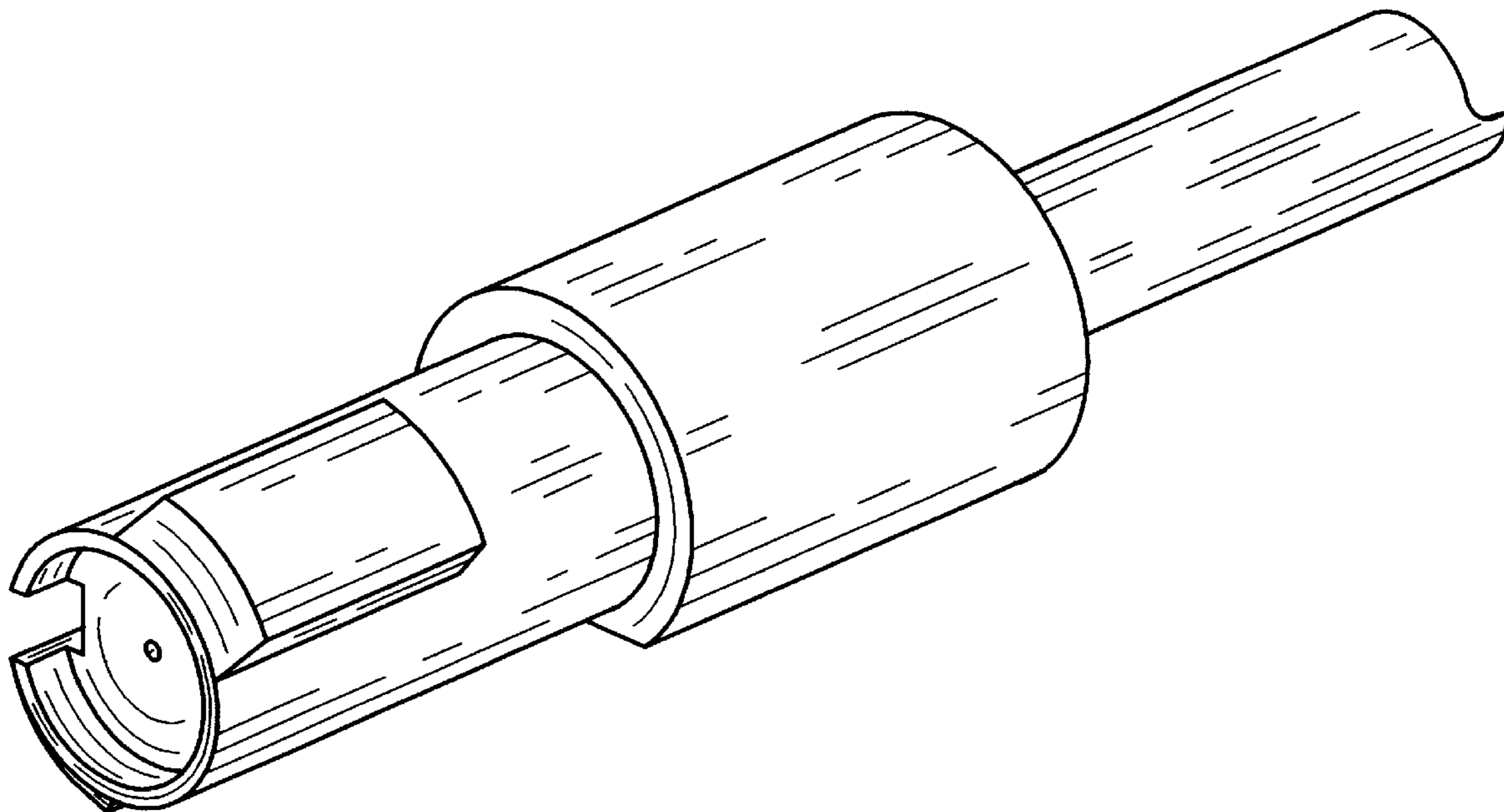
(57) **CLAIM**

I claim the ornamental design for a rifle breech bolt, as shown and described.

DESCRIPTION

FIG. 1 is a front elevational view of a rifle breech bolt showing my new design;
FIG. 2 is a back elevational view thereof;
FIG. 3 is a right side elevational view thereof;
FIG. 4 is a left side elevational view thereof;
FIG. 5 is a top plan view thereof;
FIG. 6 is a bottom plan view thereof;
FIG. 7 is a front perspective view thereof; and,
FIG. 8 is a back perspective view thereof.

1 Claim, 8 Drawing Sheets



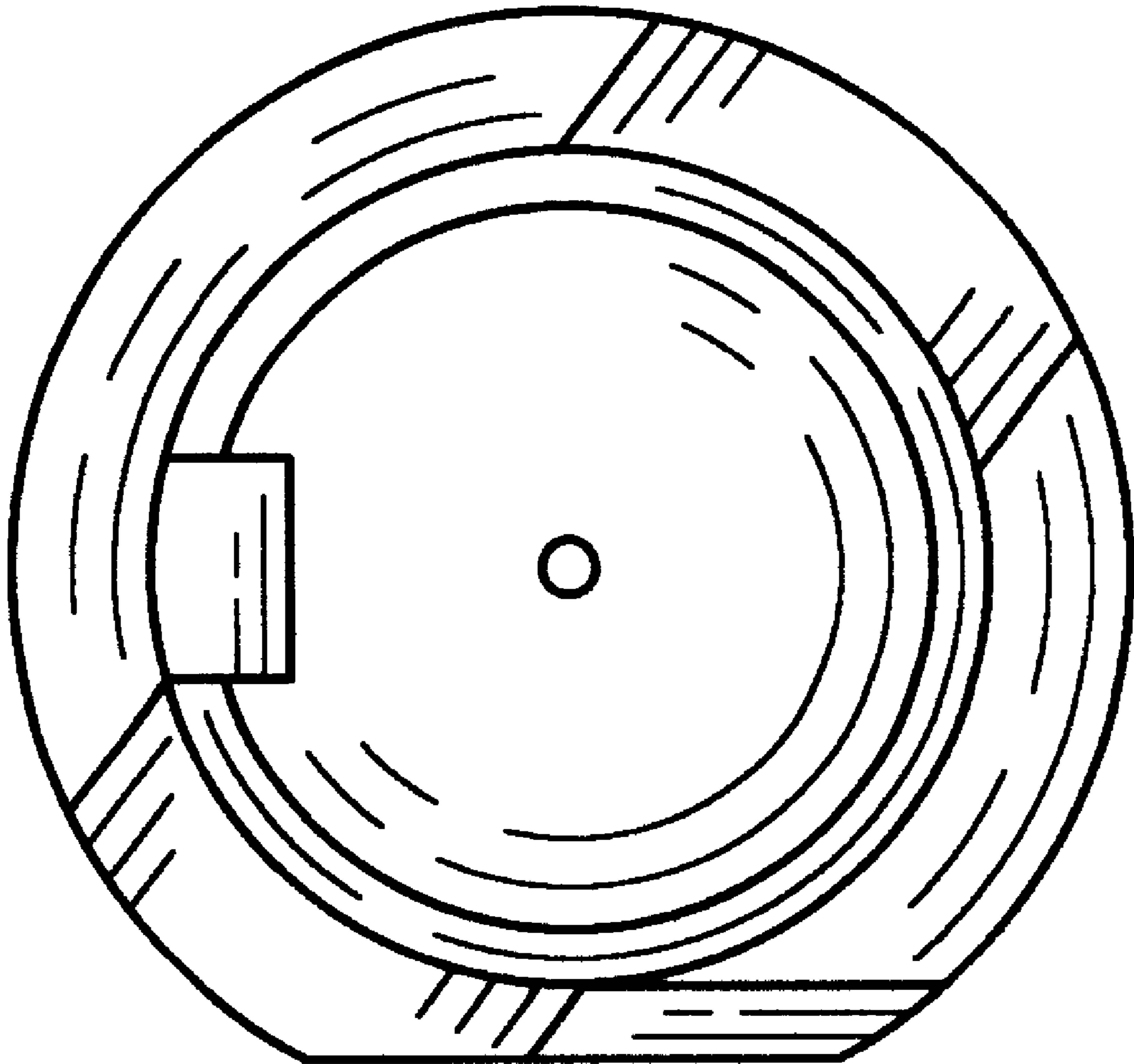


FIG. 1

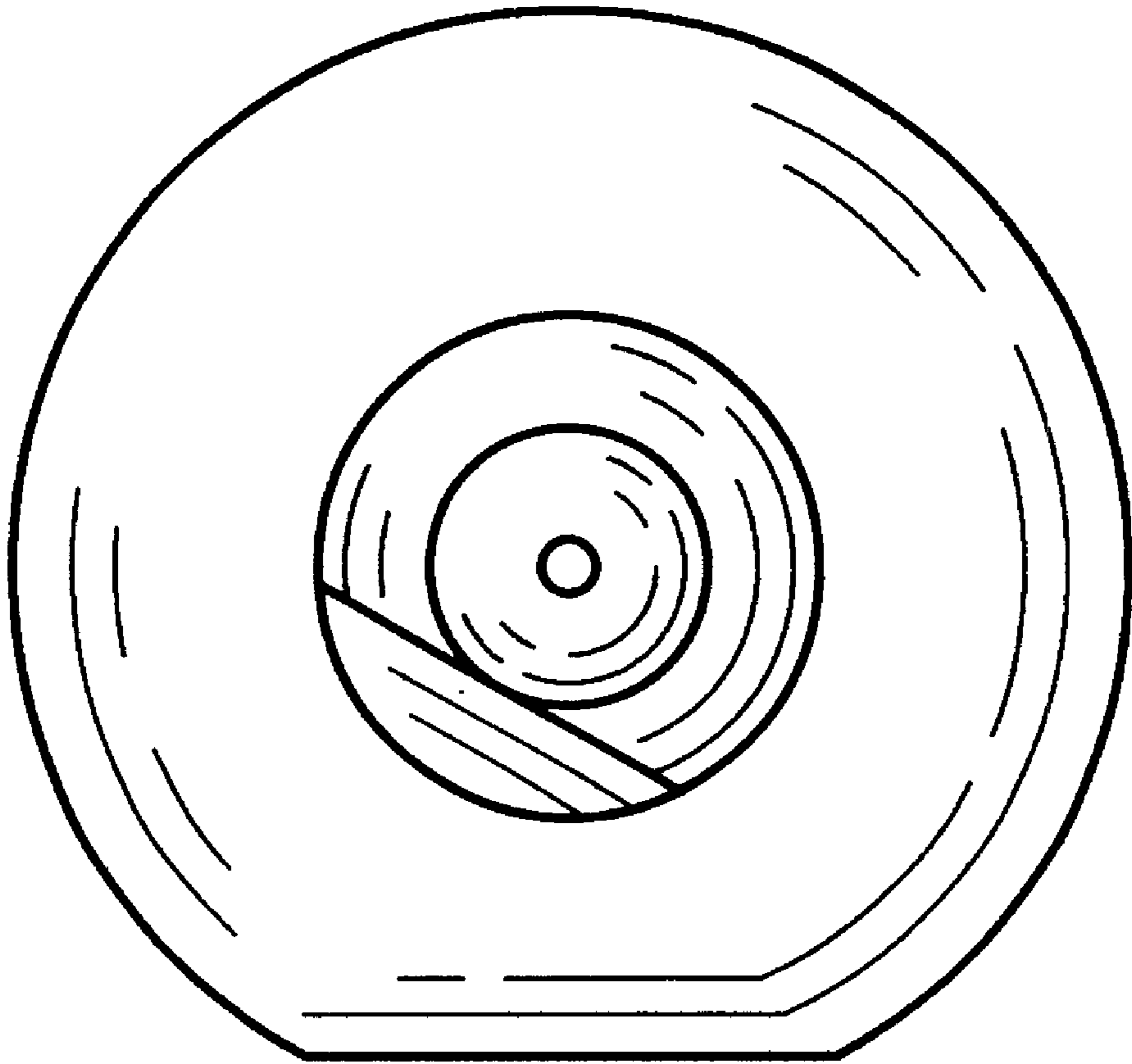


FIG. 2

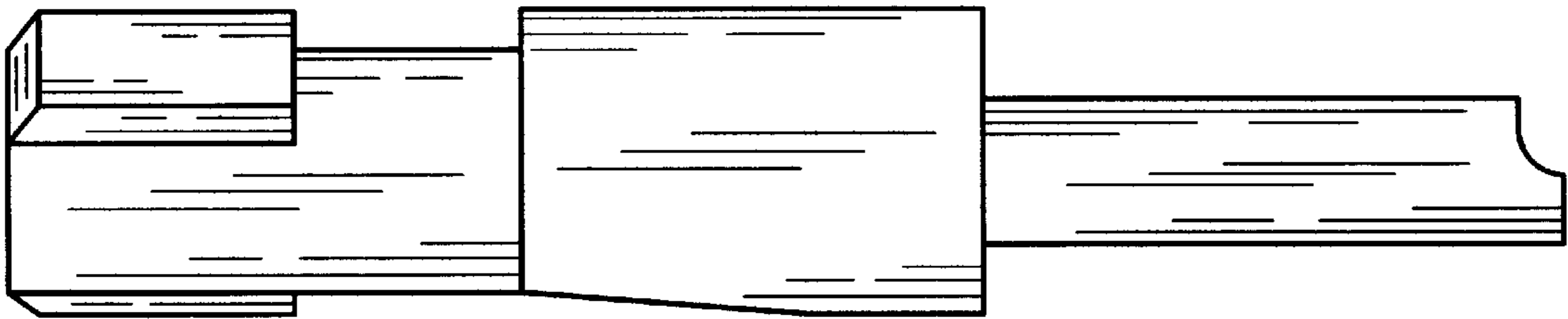


FIG. 3

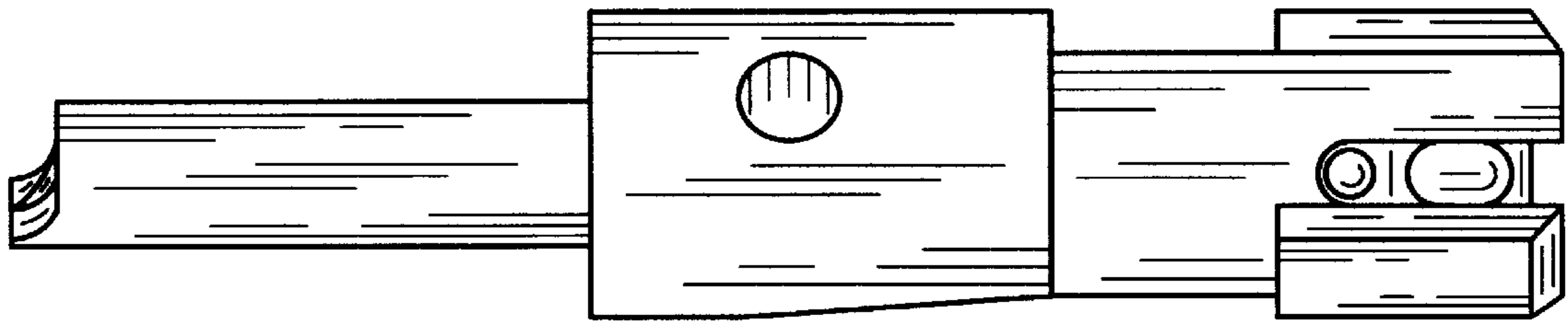


FIG. 4

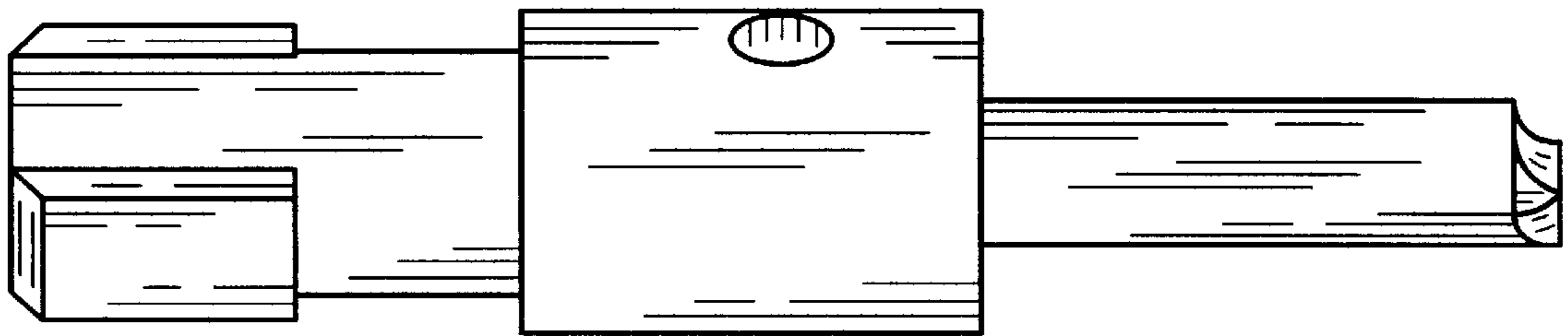


FIG. 5

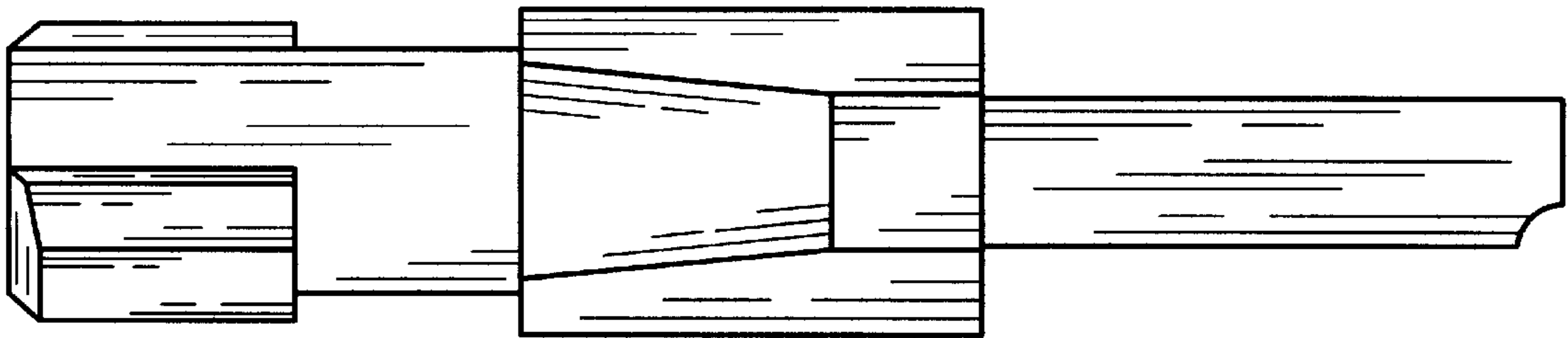


FIG. 6

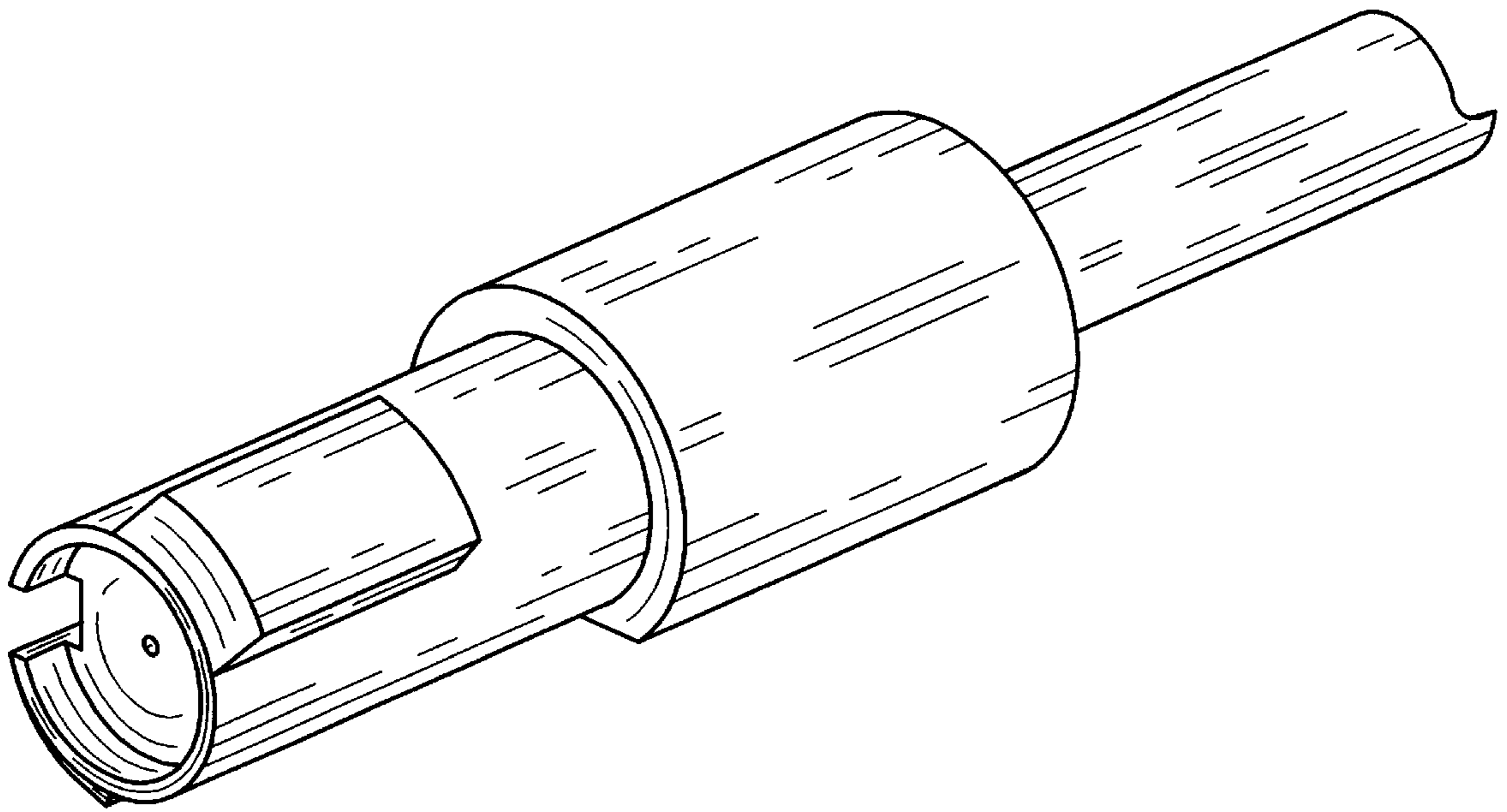


FIG. 7

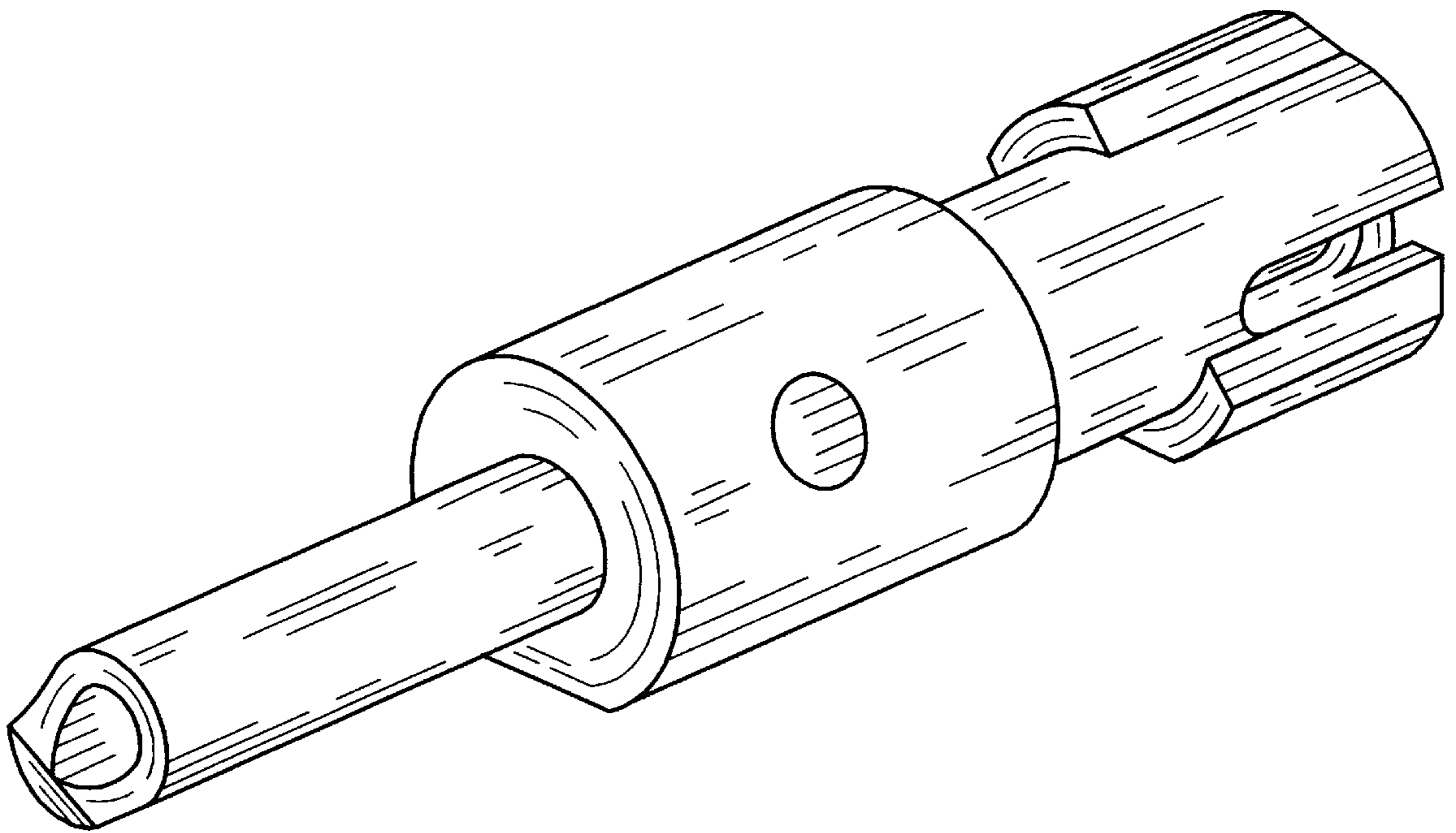


FIG. 8