



US00D475429S

(12) **United States Design Patent**
Liao

(10) **Patent No.:** **US D475,429 S**

(45) **Date of Patent:** **** Jun. 3, 2003**

(54) **ILLUMINATED MOUTHPIECE**

(76) Inventor: **Chu-Yuan Liao**, 17F, No. 102, Sec.2
Roosevelt Road, Taipei (TW)

(**) Term: **14 Years**

(21) Appl. No.: **29/158,518**

(22) Filed: **Apr. 5, 2002**

(51) **LOC (7) Cl.** **21-03**

(52) **U.S. Cl.** **D21/812**

(58) **Field of Search** D21/811, 812,
D21/661; D29/108; 128/136, 137, 861,
859, 848; 600/9, 15

(56) **References Cited**

U.S. PATENT DOCUMENTS

- 4,765,324 A * 8/1988 Lake, Jr. 128/861
- 5,692,523 A * 12/1997 Croll et al. 128/859
- 6,398,713 B1 * 6/2002 Ewing et al. 600/9

* cited by examiner

Primary Examiner—Mitchell Siegel

(74) *Attorney, Agent, or Firm*—LaMorte & Associates

(57) **CLAIM**

The ornamental design for an illuminated mouthpiece, as shown and described.

DESCRIPTION

FIG. 1 is a perspective view of an illuminated mouthpiece in accordance with the present invention;

FIG. 2 is a top view thereof;

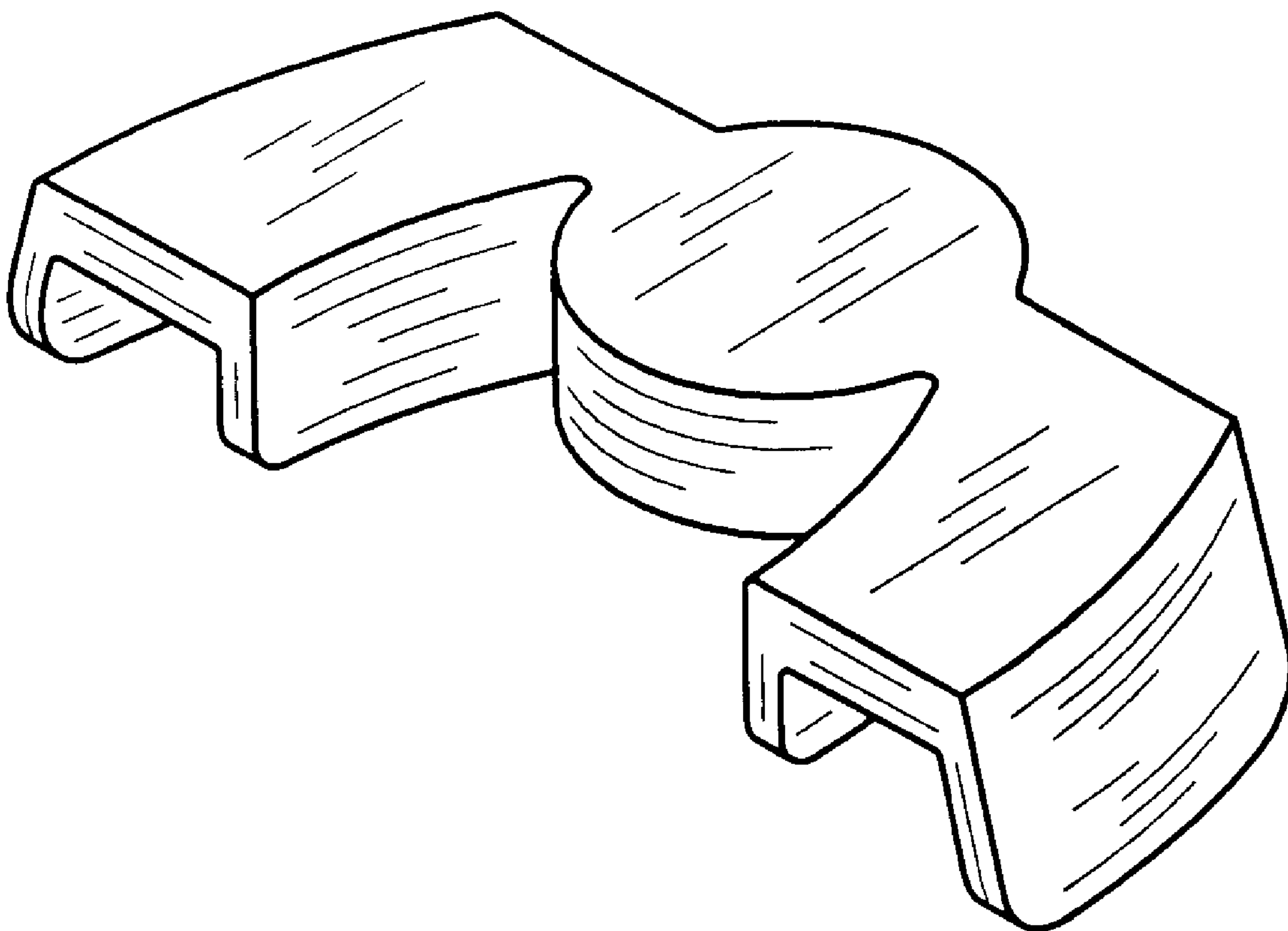
FIG. 3 is a front view thereof;

FIG. 4 is a bottom view thereof;

FIG. 5 is a rear view thereof; and,

FIG. 6 is a left side view thereof where the right side view is a mirror image of FIG. 6.

1 Claim, 2 Drawing Sheets



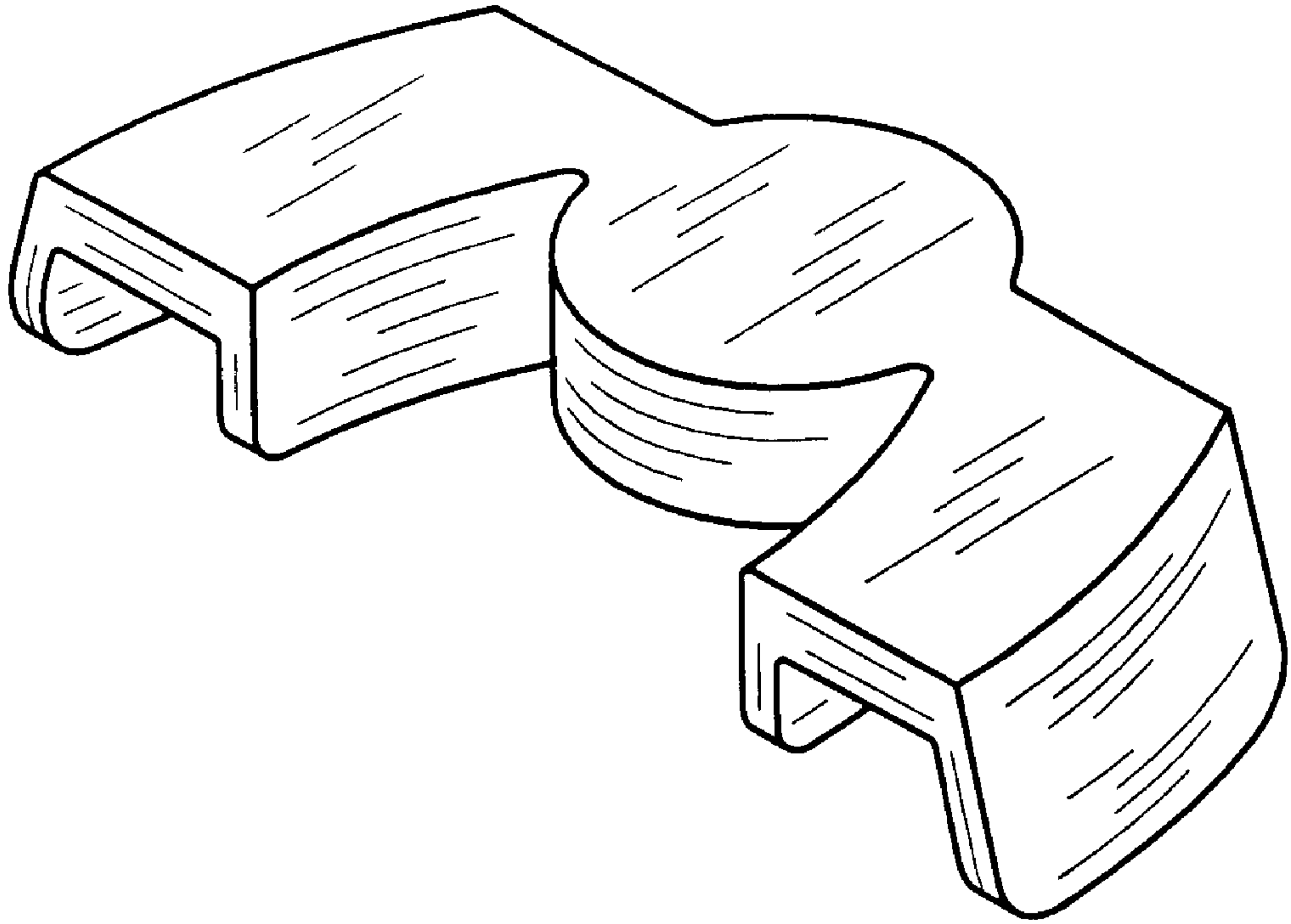


Fig. 1

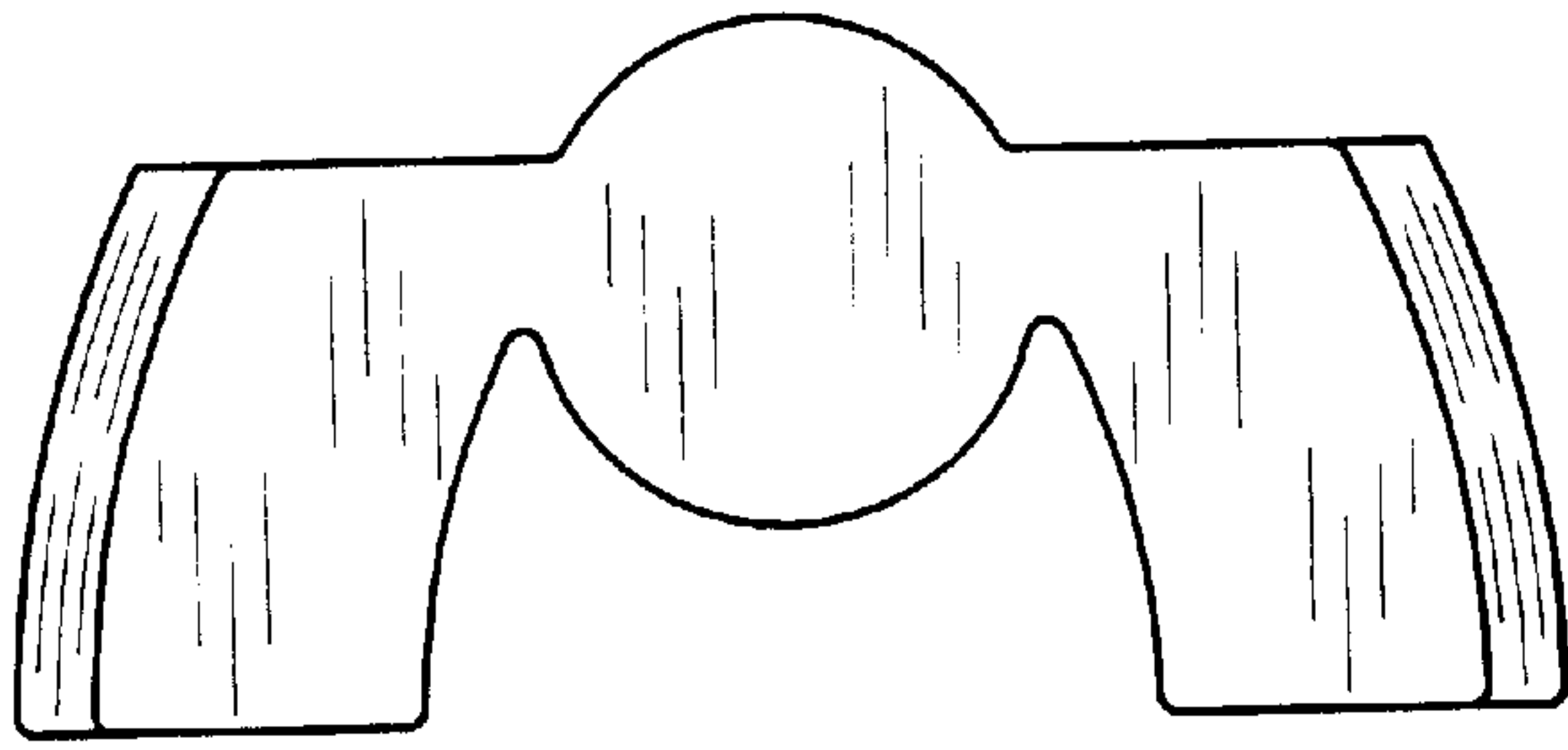


Fig. 2

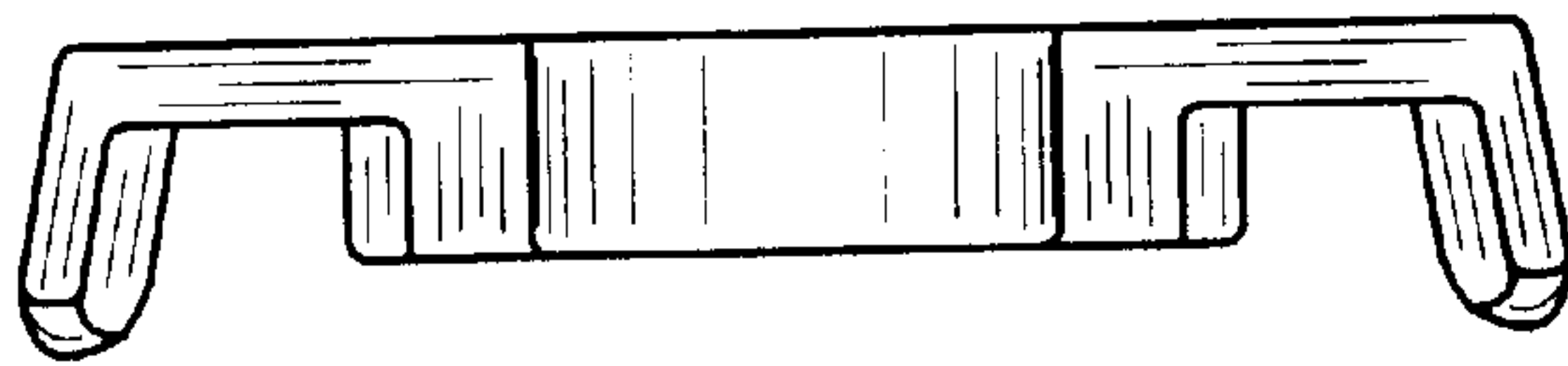


Fig. 3

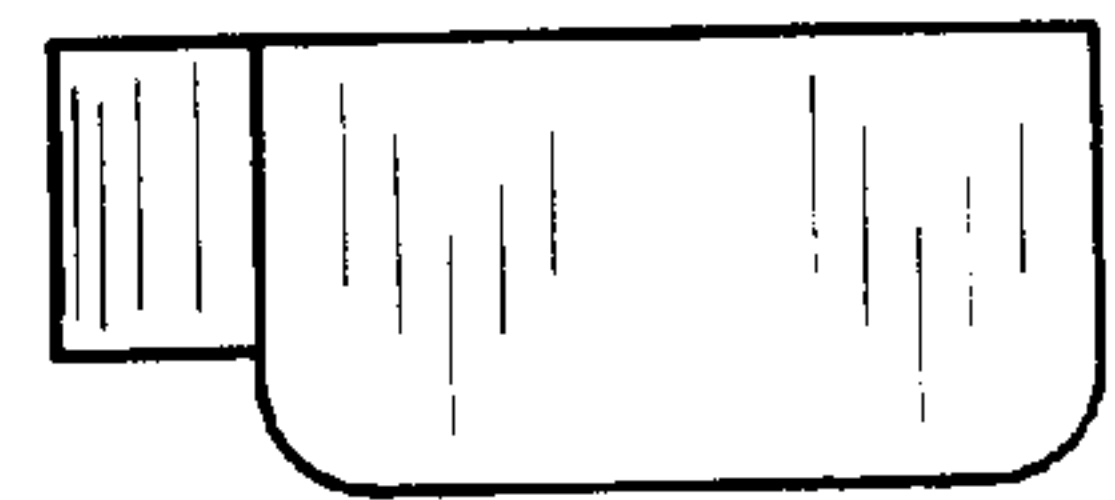


Fig. 6

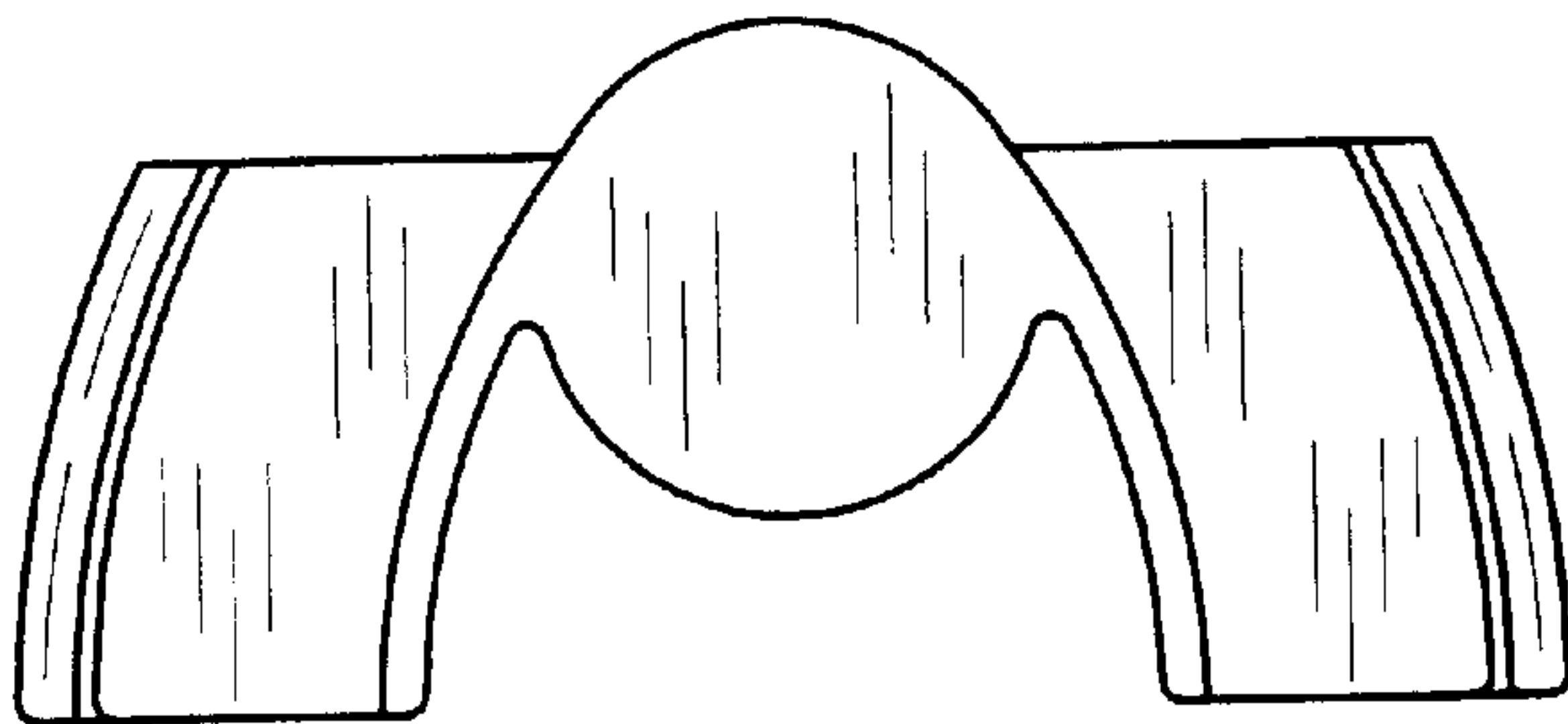


Fig. 4

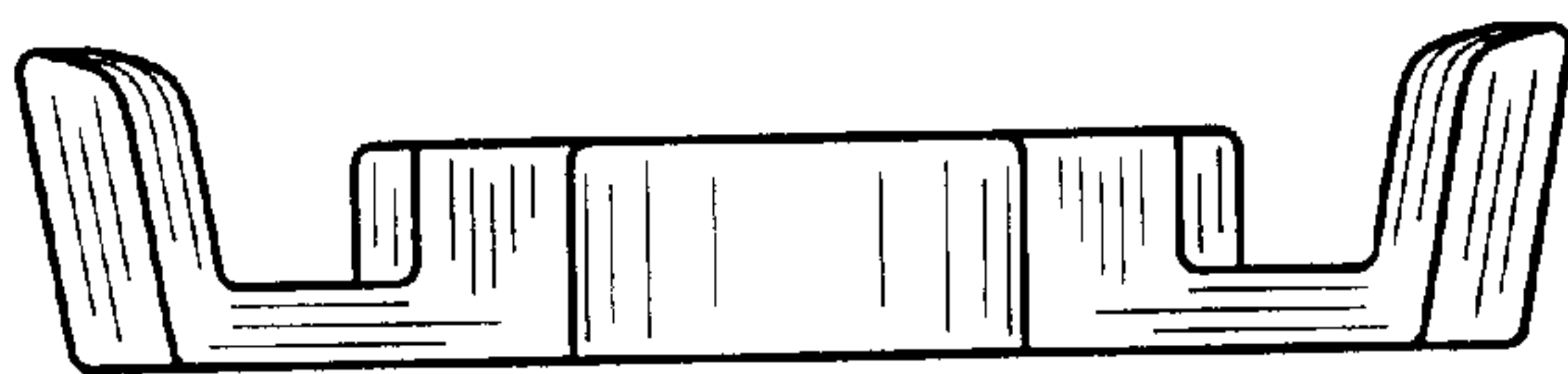


Fig. 5